



US00D534175S

(12) **United States Design Patent**
Orihashi et al.

(10) **Patent No.: US D534,175 S**

(45) **Date of Patent: ** Dec. 26, 2006**

(54) **FACSIMILE TRANSMITTER-RECEIVER**

(75) Inventors: **Miyabi Orihashi**, Tokyo (JP); **Hiroaki Ohashi**, Tokyo (JP)

(73) Assignee: **Canon Kabushiki Kaisha**, Tokyo (JP)

(**) Term: **14 Years**

(21) Appl. No.: **29/243,078**

(22) Filed: **Nov. 21, 2005**

(30) **Foreign Application Priority Data**

Aug. 23, 2005 (JP) 2005-024205

(51) **LOC (8) Cl.** **16-03**

(52) **U.S. Cl.** **D14/463**

(58) **Field of Classification Search** D14/462-471;
358/400-402; D18/36, 37

See application file for complete search history.

(56) **References Cited**

U.S. PATENT DOCUMENTS

5,610,724 A * 3/1997 Kaneko et al. 358/400

5,796,496 A * 8/1998 Ono 358/498

5,877,864 A * 3/1999 Sumida et al. 358/1.16

D431,251 S * 9/2000 Fujimoto D14/463

6,144,468 A * 11/2000 Watanabe 358/496

6,195,170 B1 * 2/2001 Mizutani et al. 358/1.14

D464,659 S * 10/2002 Nanri D14/463

D465,224 S * 11/2002 Amemiya et al. D14/463

D468,321 S * 1/2003 Naganuma D14/463

D502,210 S * 2/2005 Katori et al. D18/39

D516,081 S * 2/2006 Takimoto D14/463

* cited by examiner

Primary Examiner—Prabhakar Deshmukh

(74) *Attorney, Agent, or Firm*—Fitzpatrick, Cella, Harper & Scinto

(57) **CLAIM**

The ornamental design for a facsimile transmitter-receiver, as shown and described.

DESCRIPTION

FIG. 1 is a front view of a facsimile transmitter-receiver showing our new design;

FIG. 2 is a rear view thereof;

FIG. 3 is a top plan view thereof;

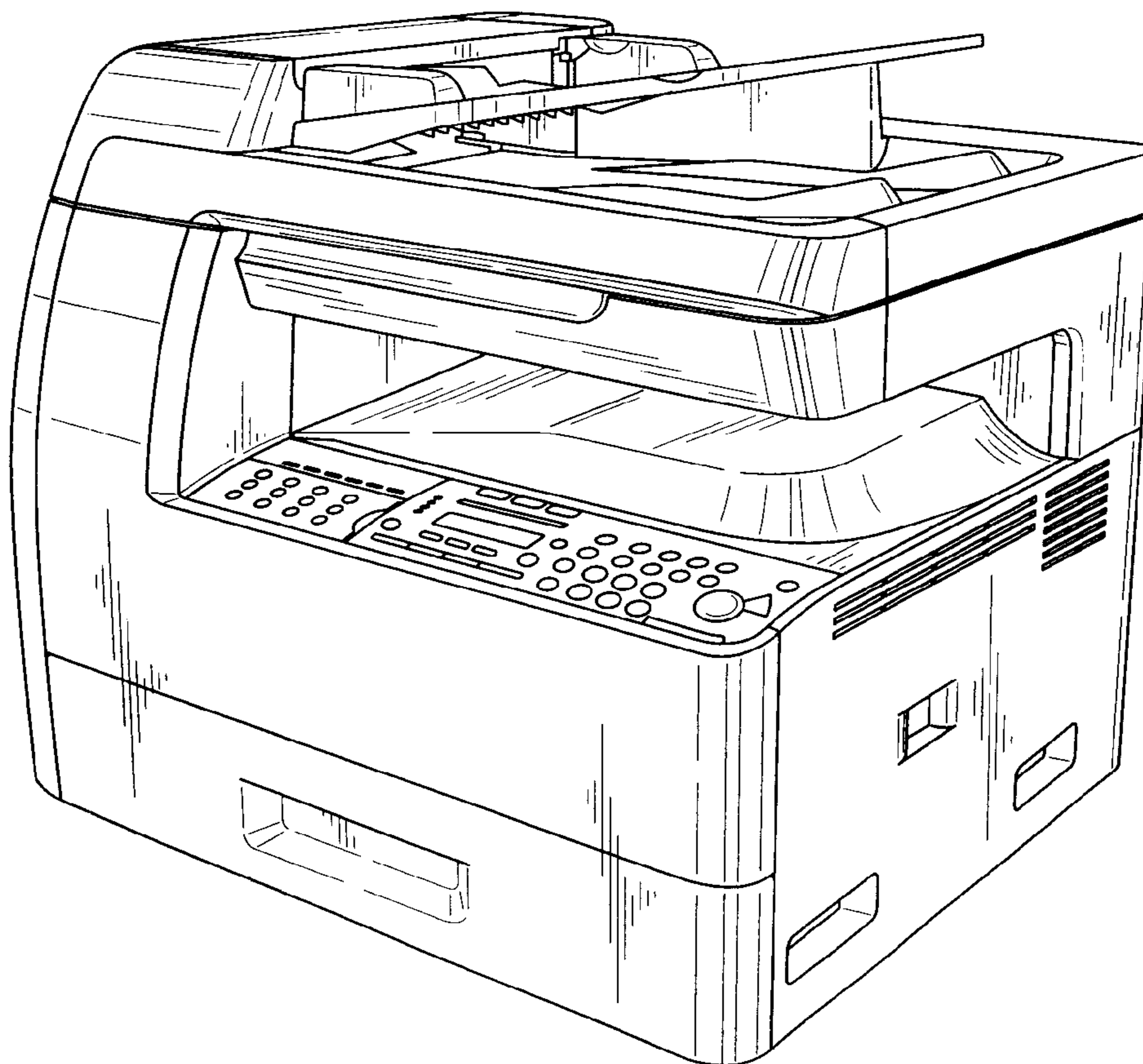
FIG. 4 is a bottom plan view thereof;

FIG. 5 is a left side view thereof;

FIG. 6 is a right side view thereof; and,

FIG. 7 is a perspective view thereof.

1 Claim, 4 Drawing Sheets



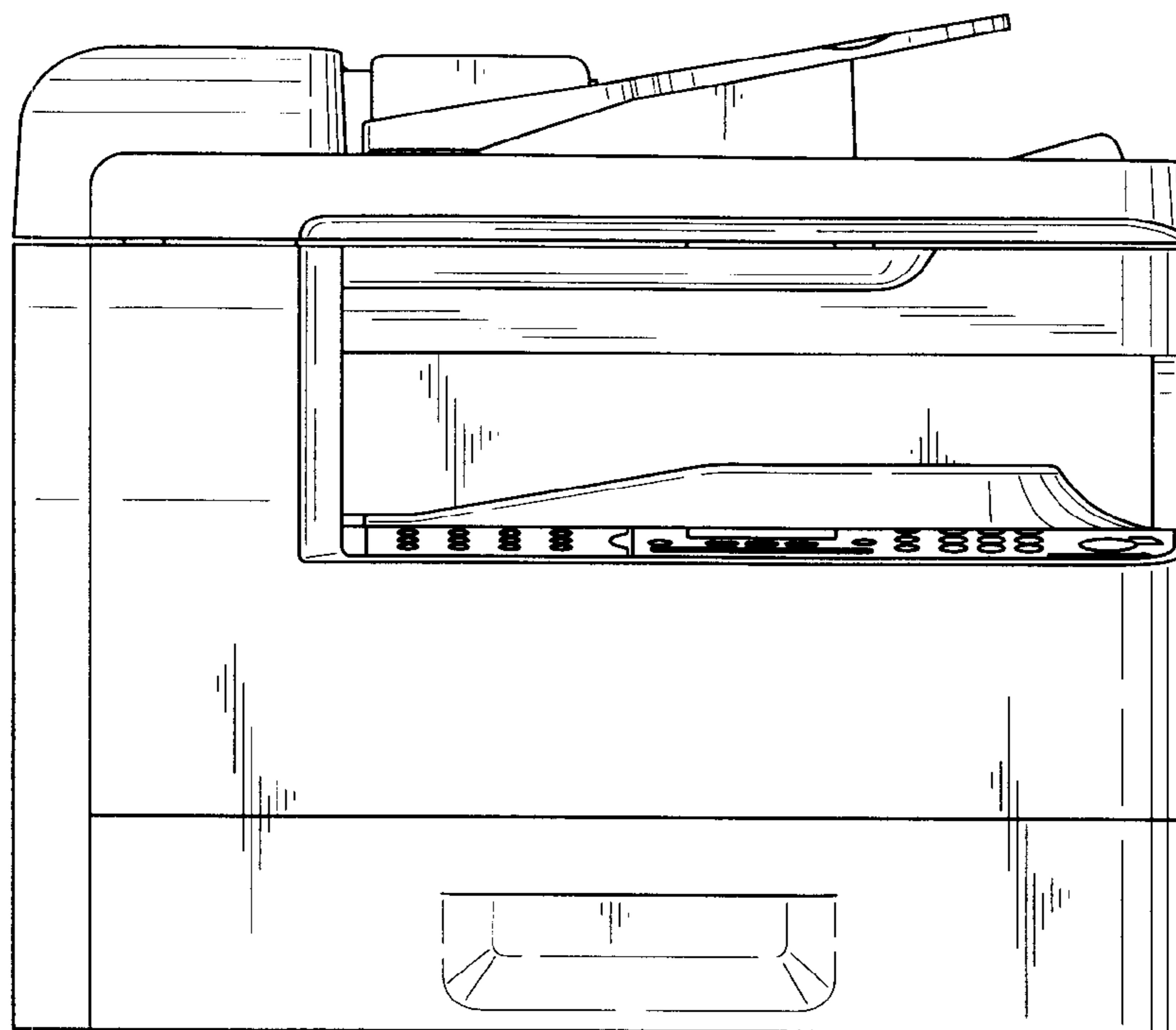


FIG. 1

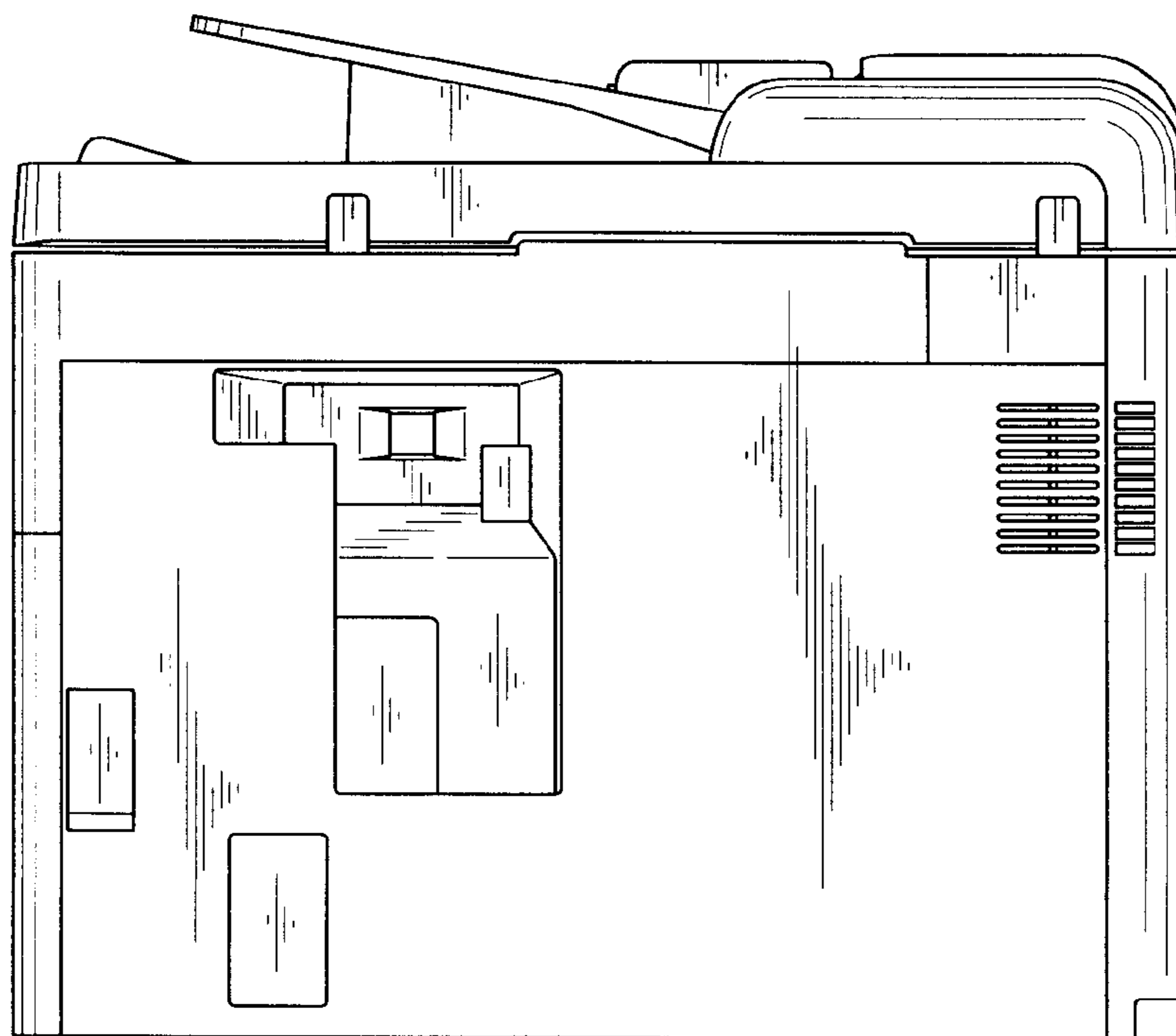


FIG. 2

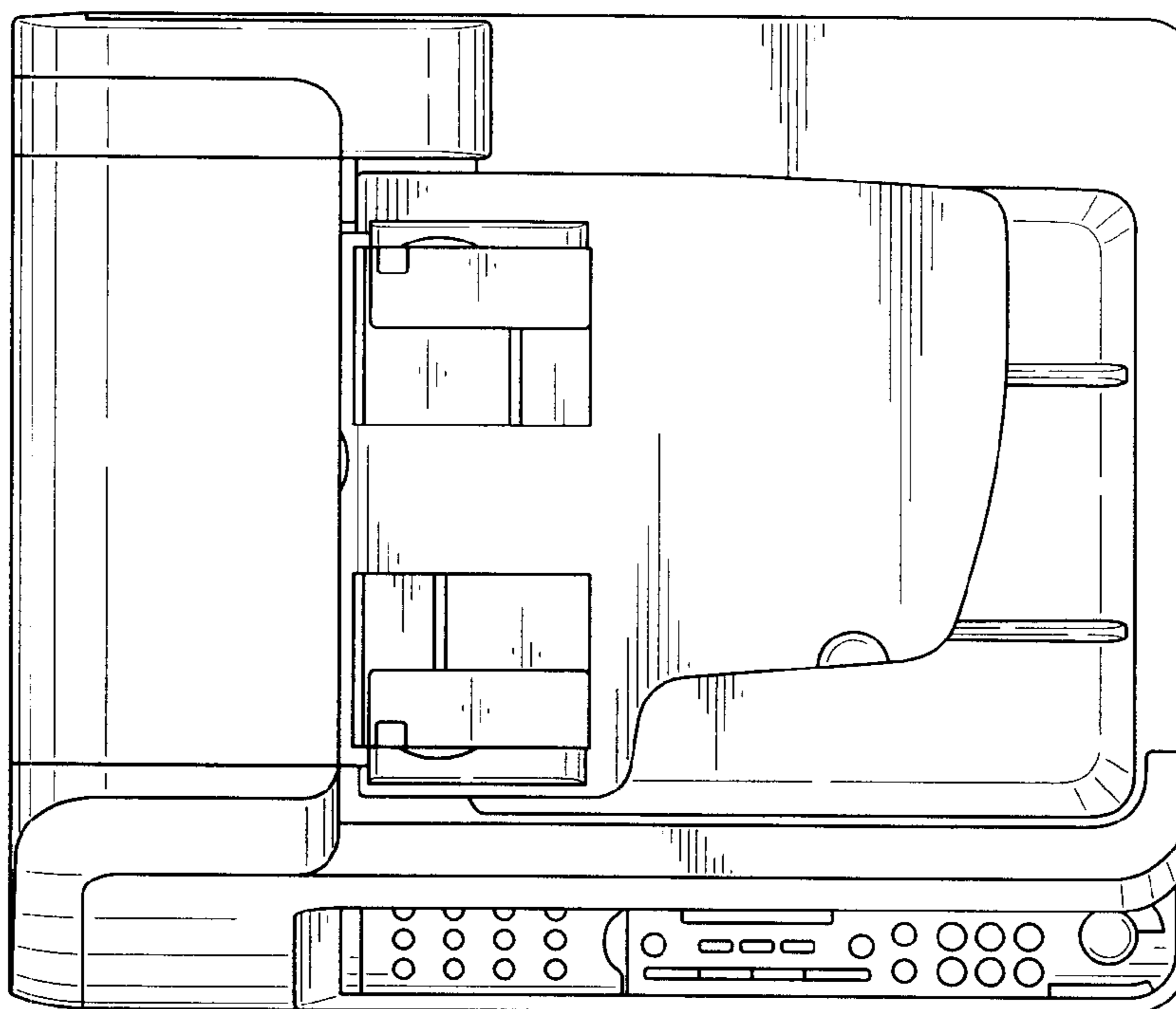


FIG. 3

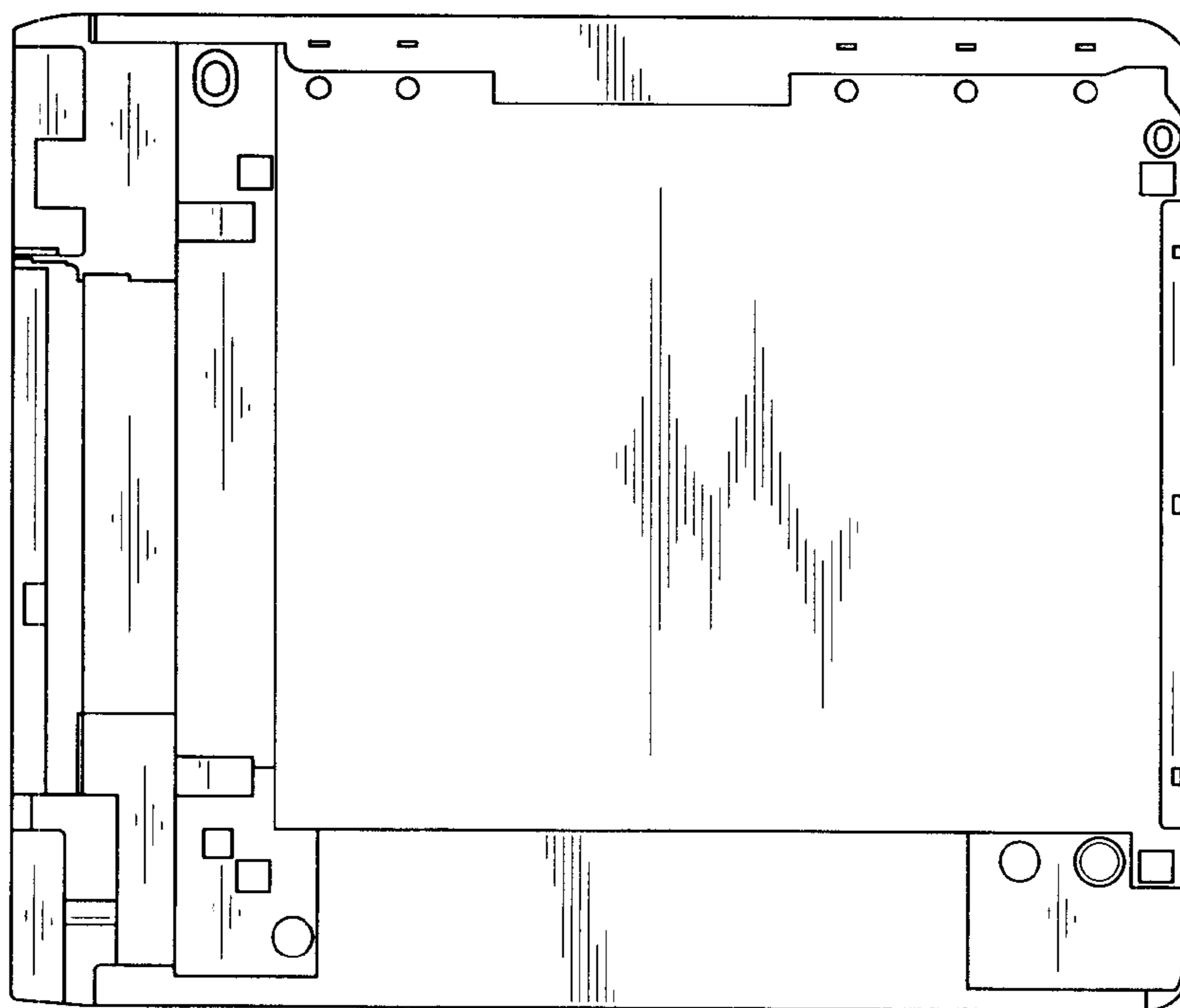


FIG. 4

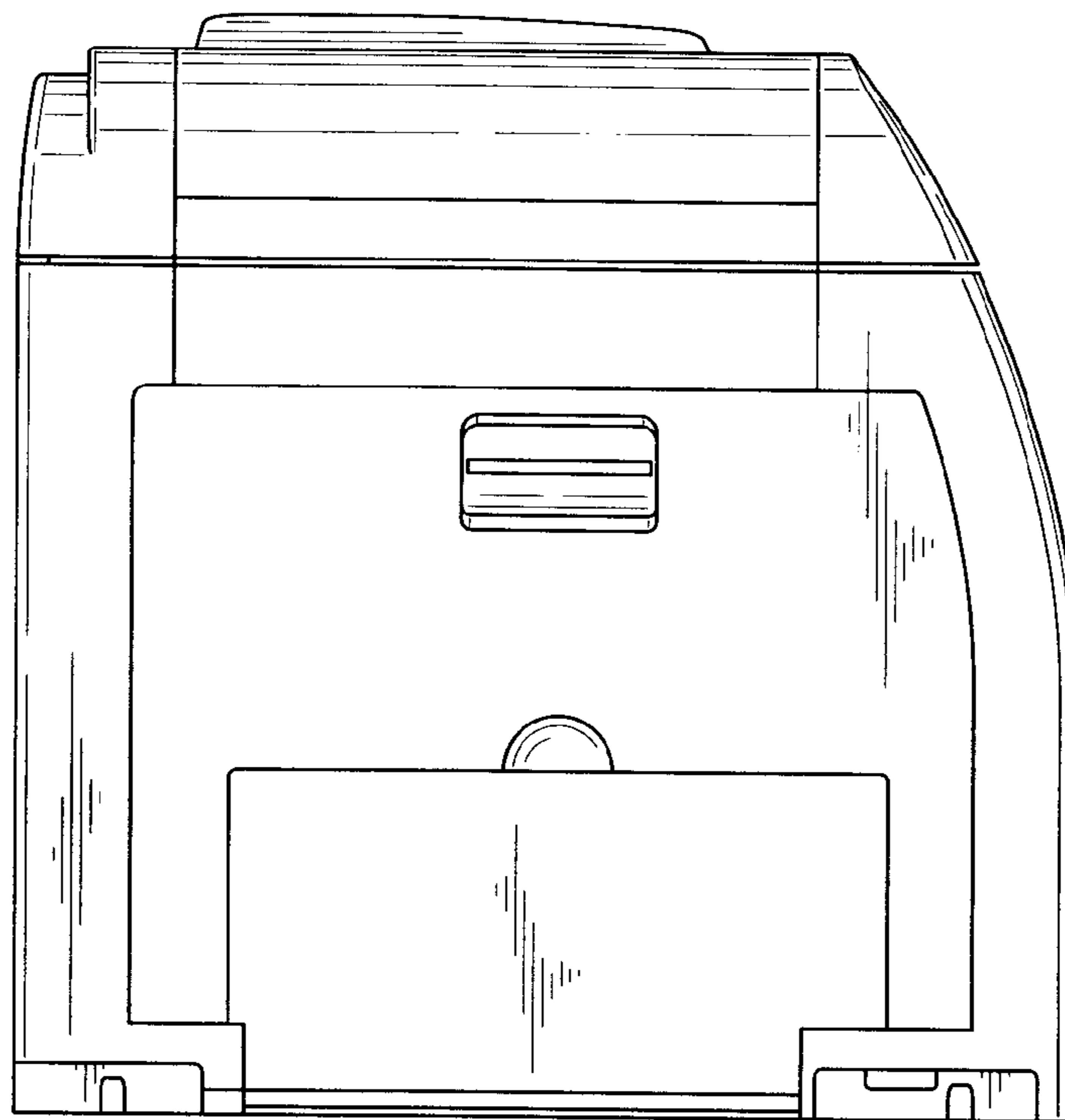


FIG. 5

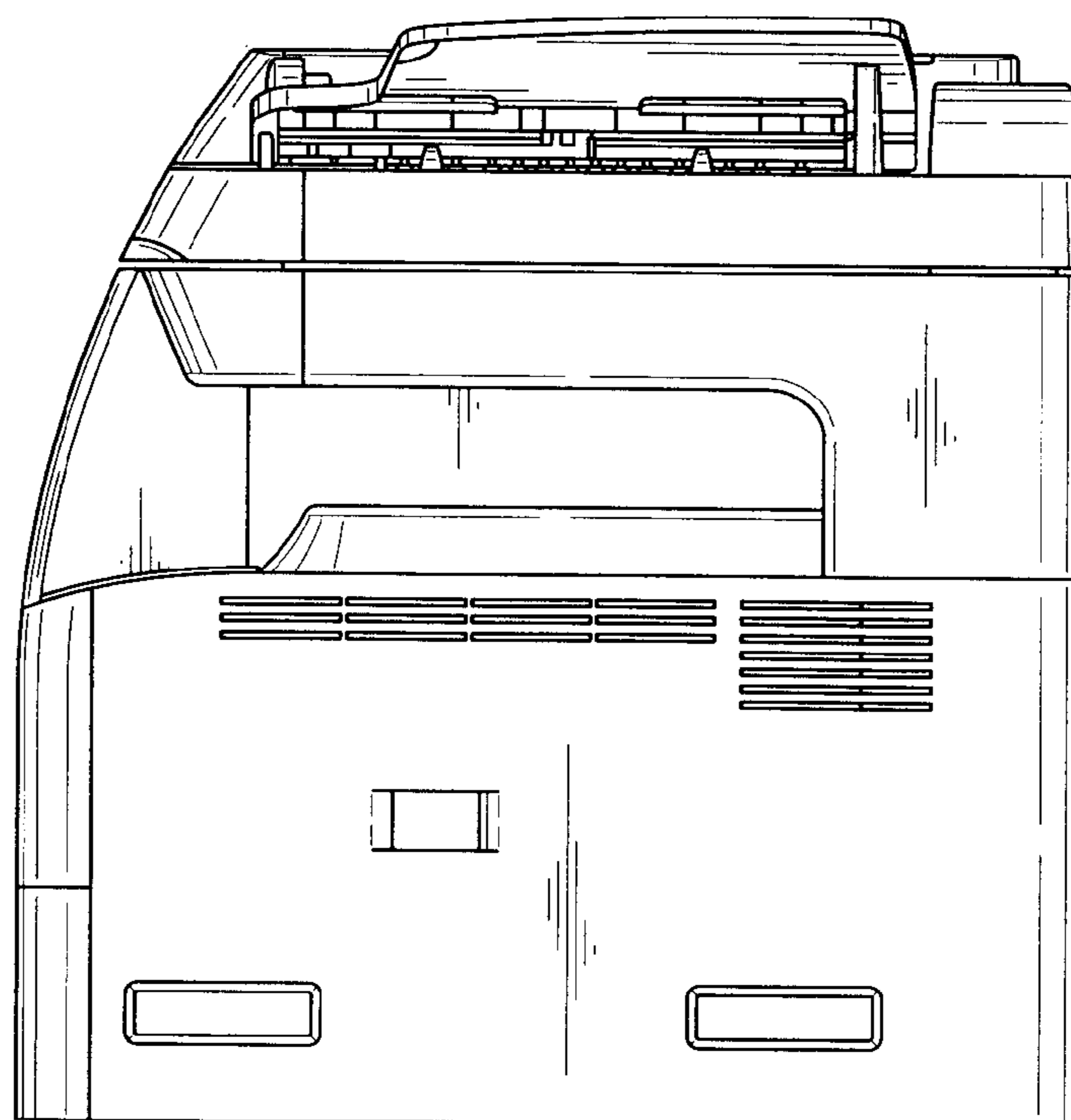


FIG. 6

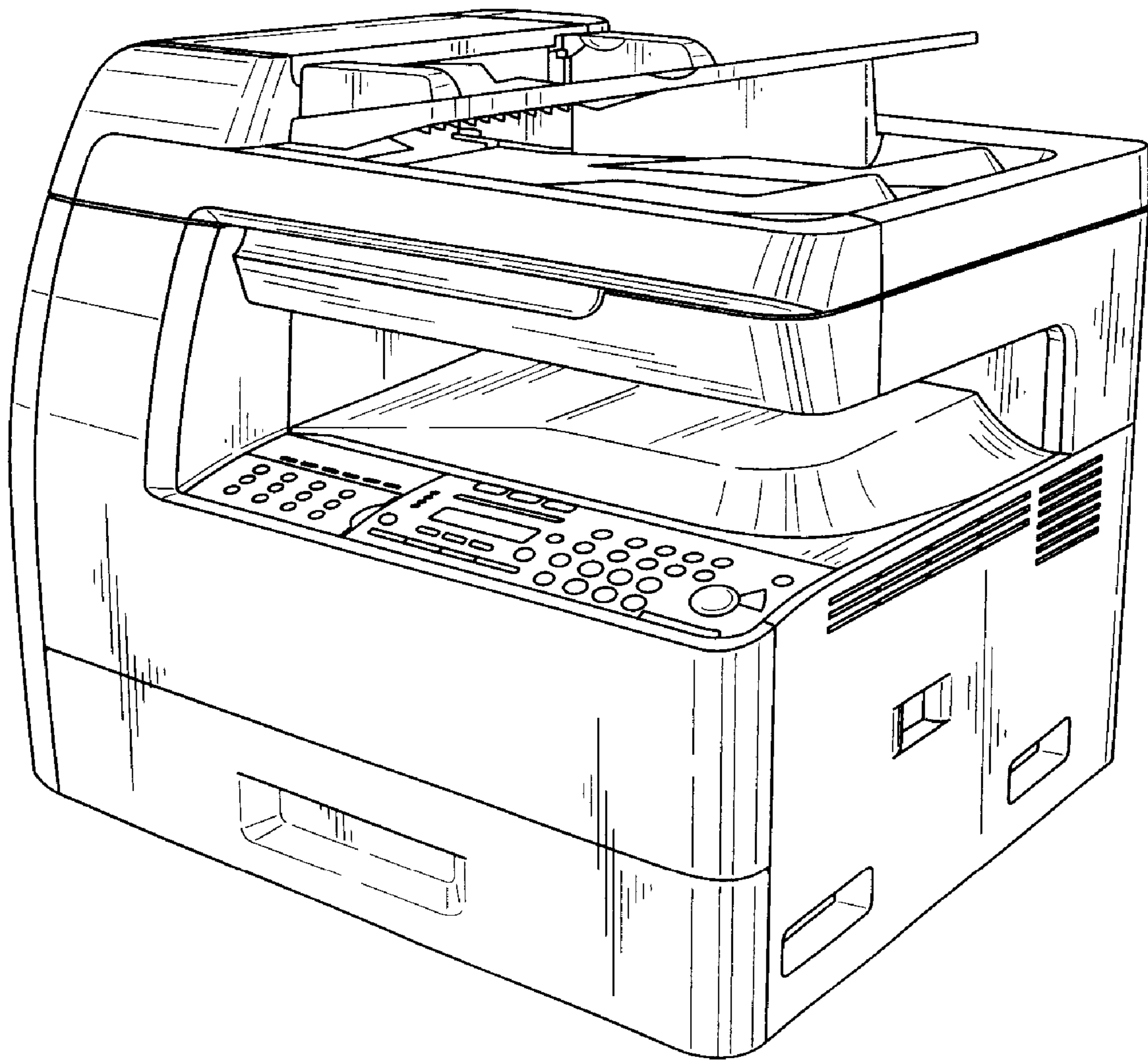


FIG. 7