



US00D534169S

(12) **United States Design Patent**
Nakamura et al.

(10) **Patent No.:** **US D534,169 S**

(45) **Date of Patent:** **** Dec. 26, 2006**

(54) **TAPE CARTRIDGE**

(75) Inventors: **Yasunori Nakamura**, Shinshiro (JP);
Nobuhiko Funato, Gifu (JP);
Terumasa Hoshino, Nagoya (JP);
Tsutomu Kato, Nagoya (JP); **Haruki**
Matsumoto, Nagoya (JP)

(73) Assignee: **Brother Industries, Ltd.**, Nagoya (JP)

(**) Term: **14 Years**

(21) Appl. No.: **29/225,263**

(22) Filed: **Mar. 15, 2005**

(30) **Foreign Application Priority Data**

Sep. 17, 2004 (JP) 2004-028378

(51) **LOC (8) Cl.** **14-02**

(52) **U.S. Cl.** **D14/435; D14/475; D14/481;**
D21/332

(58) **Field of Classification Search** D14/474,
D14/475, 478, 481, 483, 335, 496; D21/332,
D21/333; 463/42-47; 206/307, 308.1; 242/348-348.4;
360/132-134; 369/272, 273
See application file for complete search history.

(56) **References Cited**

U.S. PATENT DOCUMENTS

D230,991 S * 3/1974 Catto et al. D14/475

4,608,617 A * 8/1986 Oishi et al. 360/133
5,610,789 A * 3/1997 Miller 360/132
5,653,638 A * 8/1997 Nagata 463/44
5,681,002 A * 10/1997 Kikuchi 242/347
D393,454 S * 4/1998 Cruden et al. D14/475
5,809,520 A * 9/1998 Edwards et al. 711/115
5,868,338 A * 2/1999 Martin et al. 242/348
D474,191 S * 5/2003 Nakayama D14/475
D486,498 S * 2/2004 Stamm et al. D14/481
D491,564 S * 6/2004 Chaney et al. D14/435

* cited by examiner

Primary Examiner—Prabhakar Deshmukh

(74) *Attorney, Agent, or Firm*—Oliff & Berridge, PLC

(57) **CLAIM**

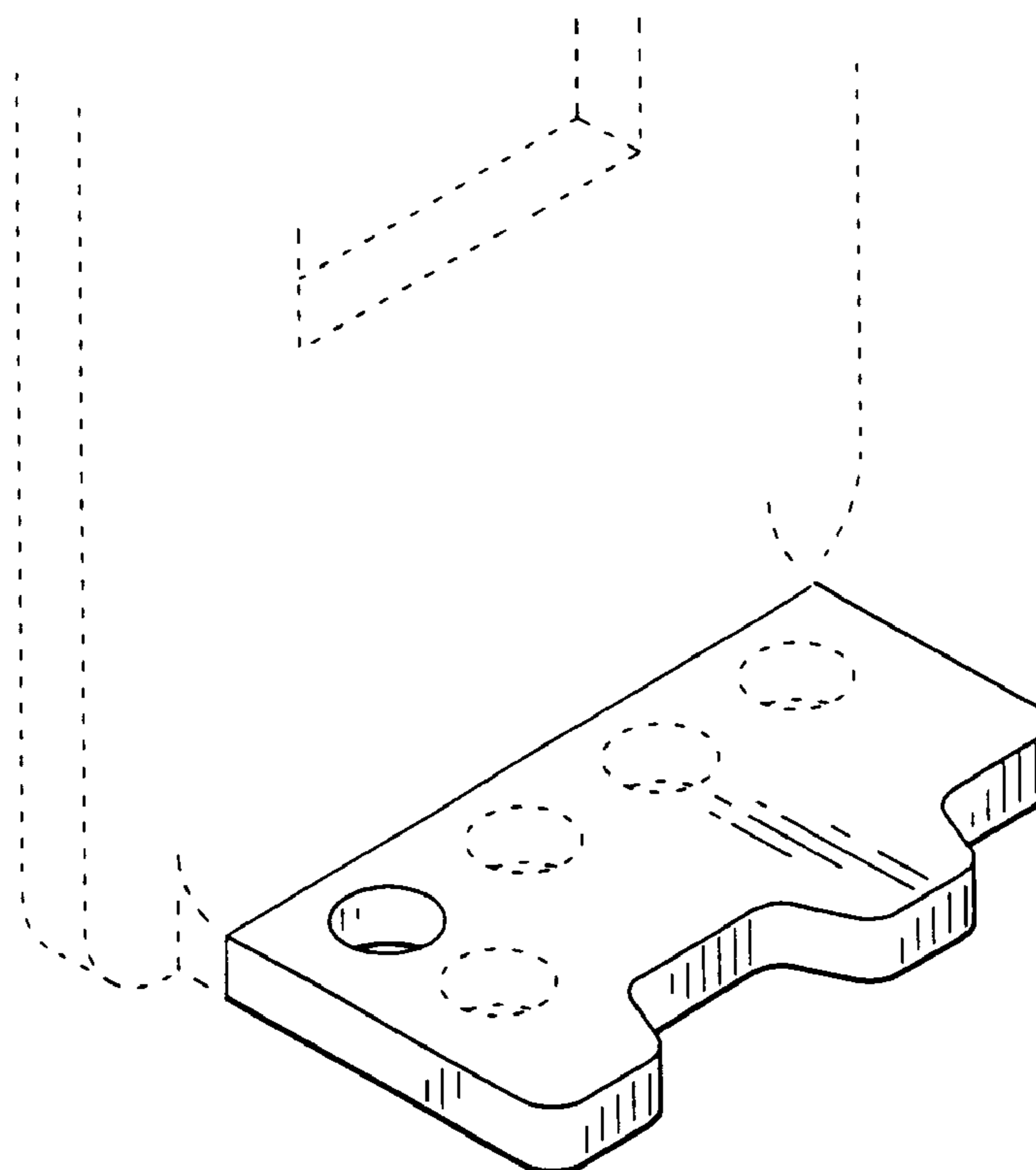
The ornamental design for a tape cartridge, as shown and described.

DESCRIPTION

FIG. 1 is a perspective view of a tape cartridge;
FIG. 2 is an expanded partial perspective view thereof;
FIG. 3 is a right-side view thereof;
FIG. 4 is a left-side view thereof;
FIG. 5 is a rear view thereof; and,
FIG. 6 is a bottom view thereof.

The broken lines are for illustrative purposes only and do not form part of the claimed design.

1 Claim, 3 Drawing Sheets



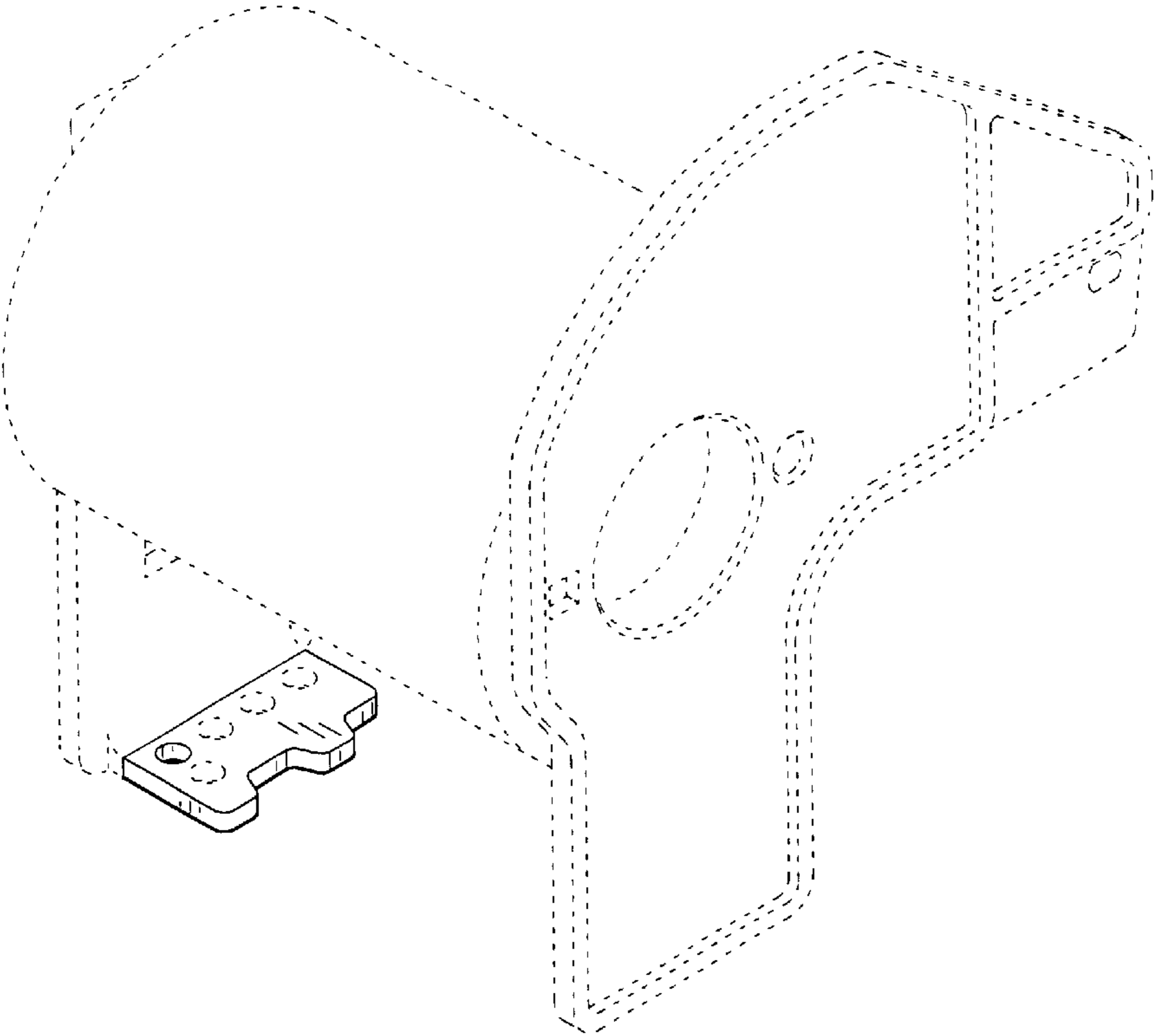


FIG. 1

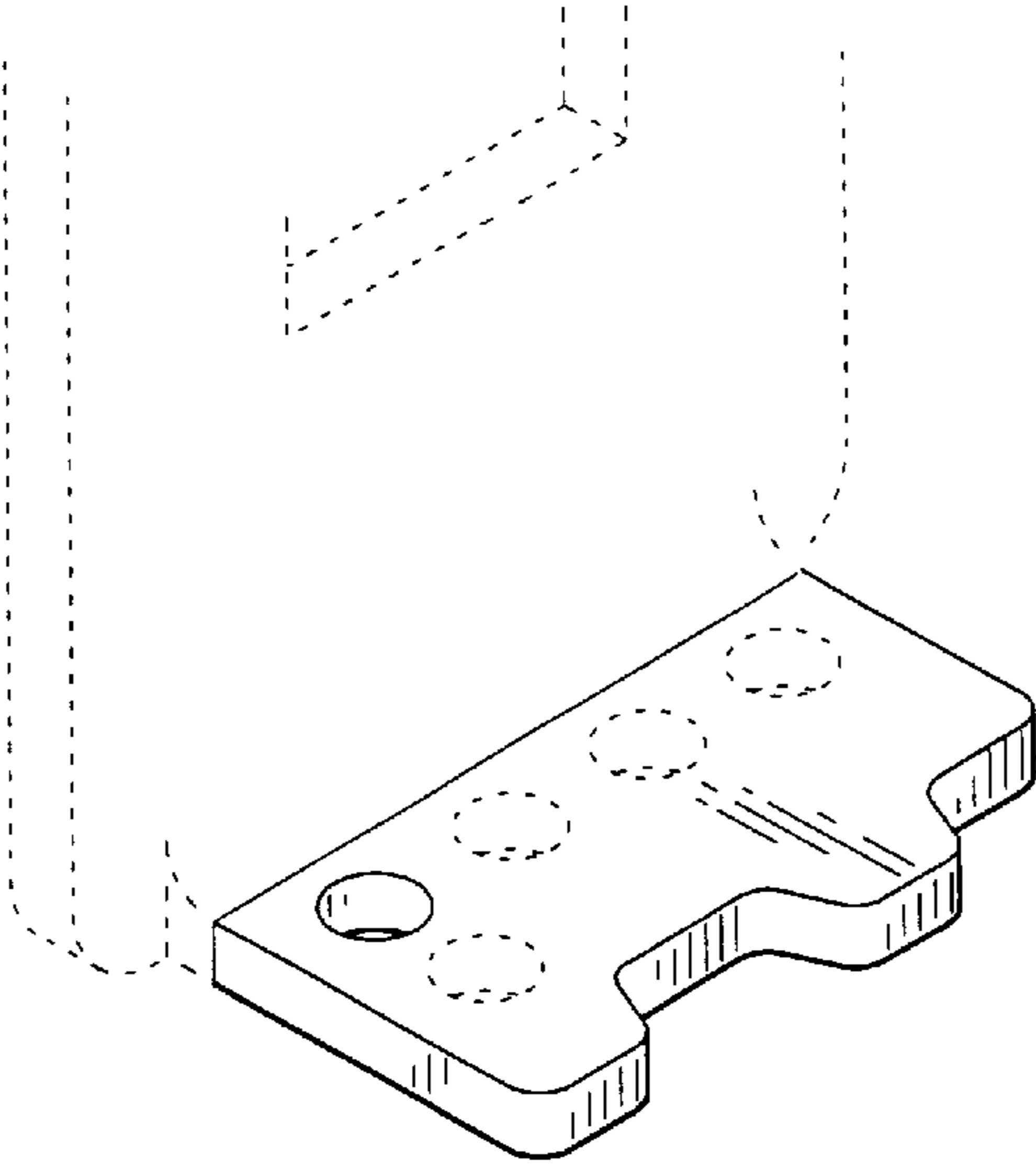


FIG. 2

FIG. 3

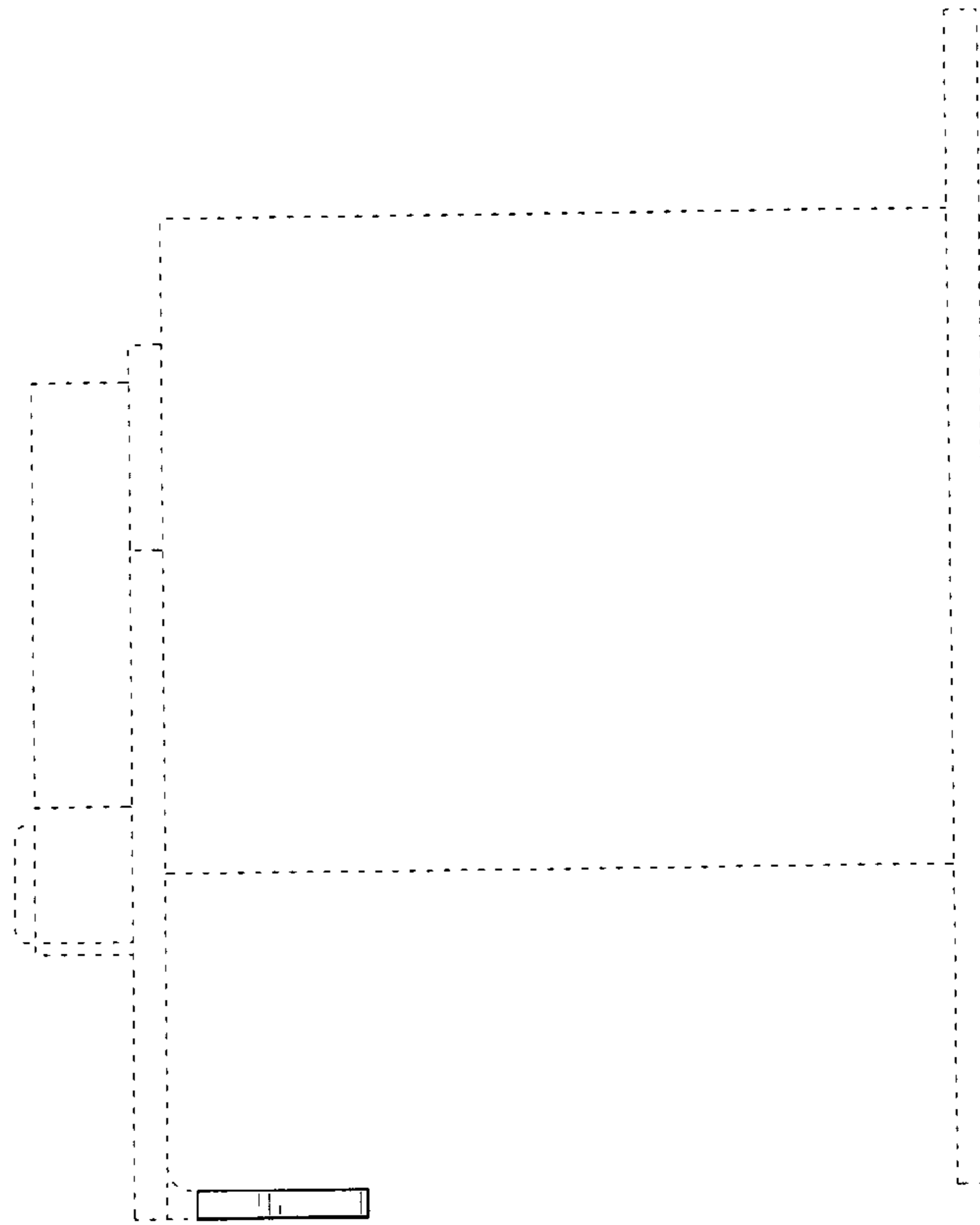
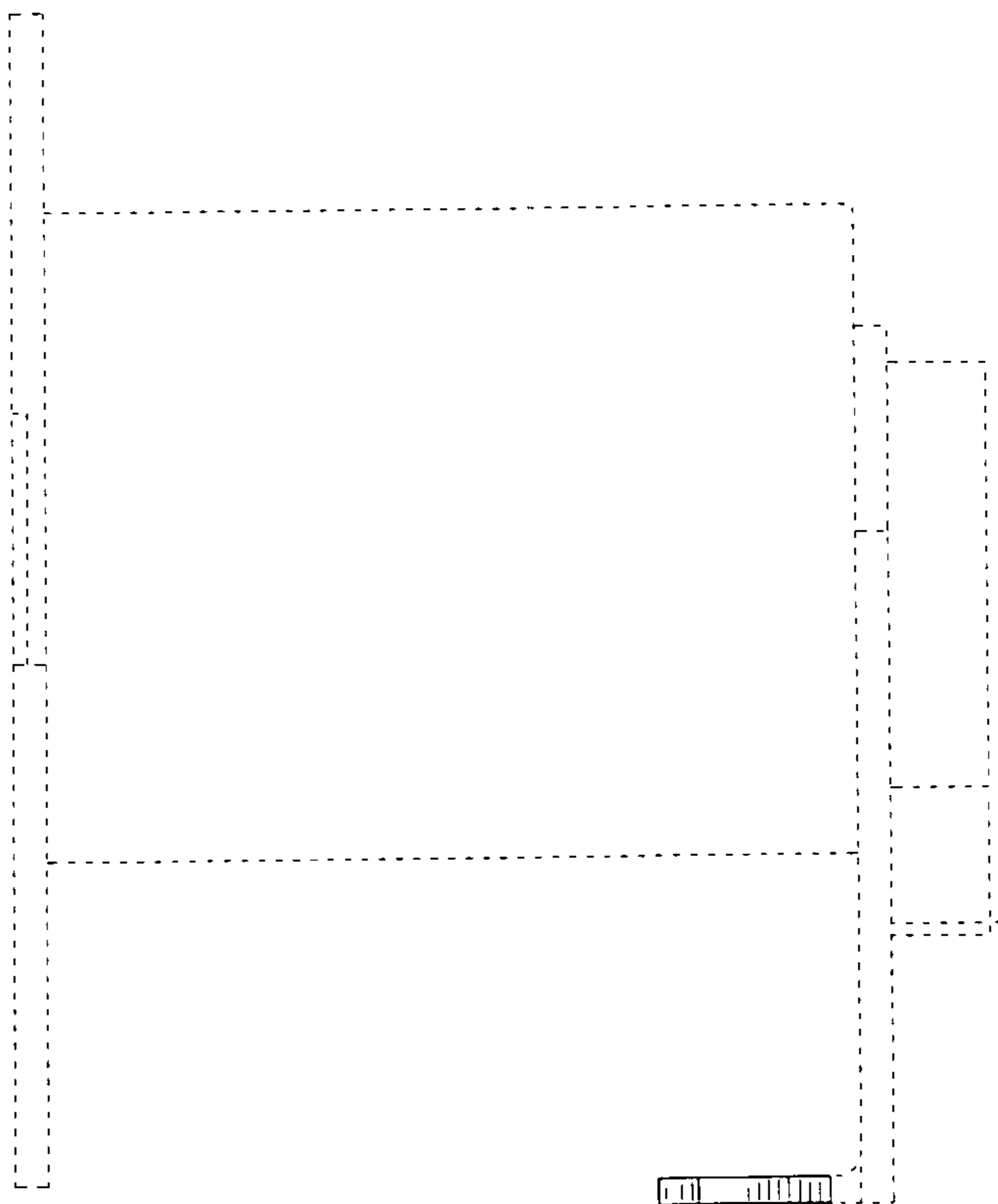


FIG. 4



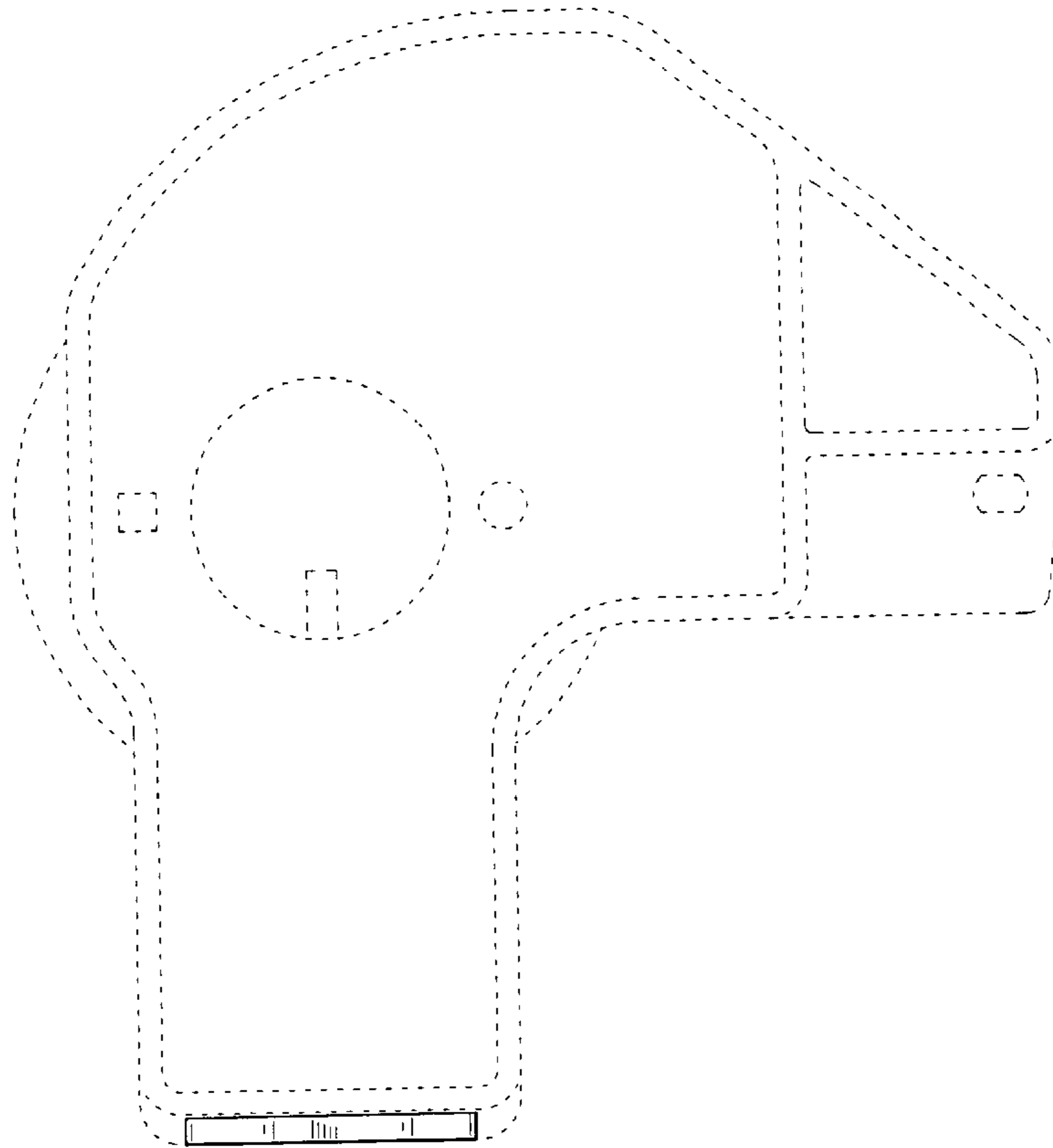


FIG. 5

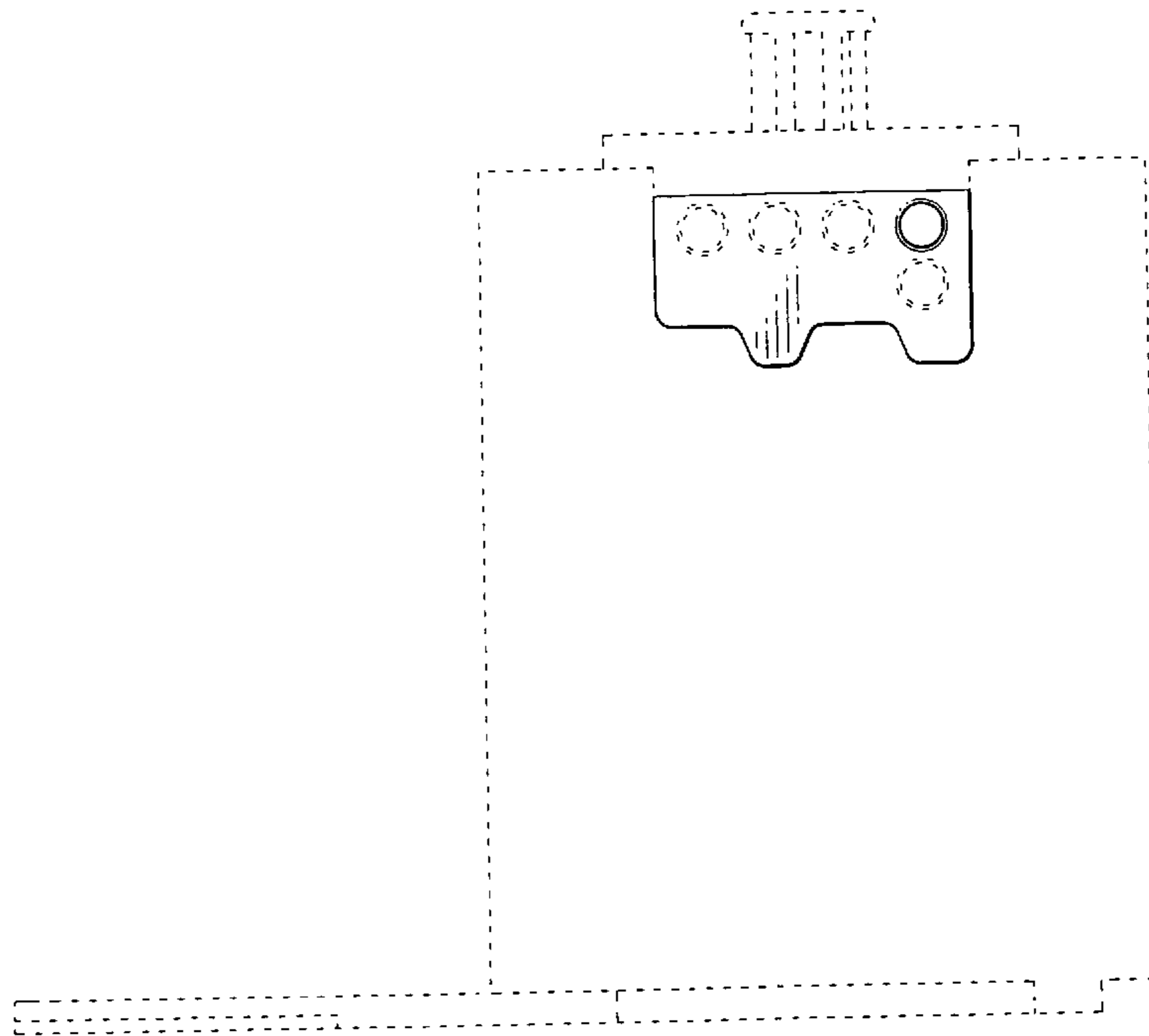


FIG. 6