



US00D534163S

(12) **United States Design Patent**
Yun et al.

(10) **Patent No.:** **US D534,163 S**

(45) **Date of Patent:** **** Dec. 26, 2006**

(54) **ANTENNA FOR PORTABLE PHONE**

(75) Inventors: **Joon-Ki Yun**, Seoul (KR); **Hyun-Seop Kim**, Gunpo-Si (KR); **Chang-Hwan Hwang**, Goyang-si (KR)

(73) Assignee: **Samsung Electronics Co., Ltd.**, Suwon-Si (KR)

(**) Term: **14 Years**

(21) Appl. No.: **29/255,054**

(22) Filed: **Mar. 6, 2006**

(30) **Foreign Application Priority Data**

Sep. 8, 2005 (KR) 30-2005-0030539

(51) **LOC (8) Cl.** **14-03**

(52) **U.S. Cl.** **D14/230**

(58) **Field of Classification Search** D14/137, D14/138, 230-238, 299, 358, 343, 140; D12/42, D12/43; 343/700 R-705, 871-908, 795, 343/840, 711-713, 819, 846; 455/90.2, 90.3, 455/91, 128, 269, 344, 347, 562.1
See application file for complete search history.

(56) **References Cited**

U.S. PATENT DOCUMENTS

D357,683 S * 4/1995 Cline et al. D14/234

D367,655 S * 3/1996 Rak D14/234
D377,177 S * 1/1997 Heine et al. D14/230
D391,577 S * 3/1998 Brehmer et al. D14/230
D441,356 S * 5/2001 Webb et al. D14/234
D442,170 S * 5/2001 Mou D14/238
D456,797 S * 5/2002 Huang D14/230
D482,351 S * 11/2003 Alviar et al. D14/234

* cited by examiner

Primary Examiner—Louis S. Zarfes
Assistant Examiner—John Windmuller

(74) *Attorney, Agent, or Firm*—Staas & Halsey LLP

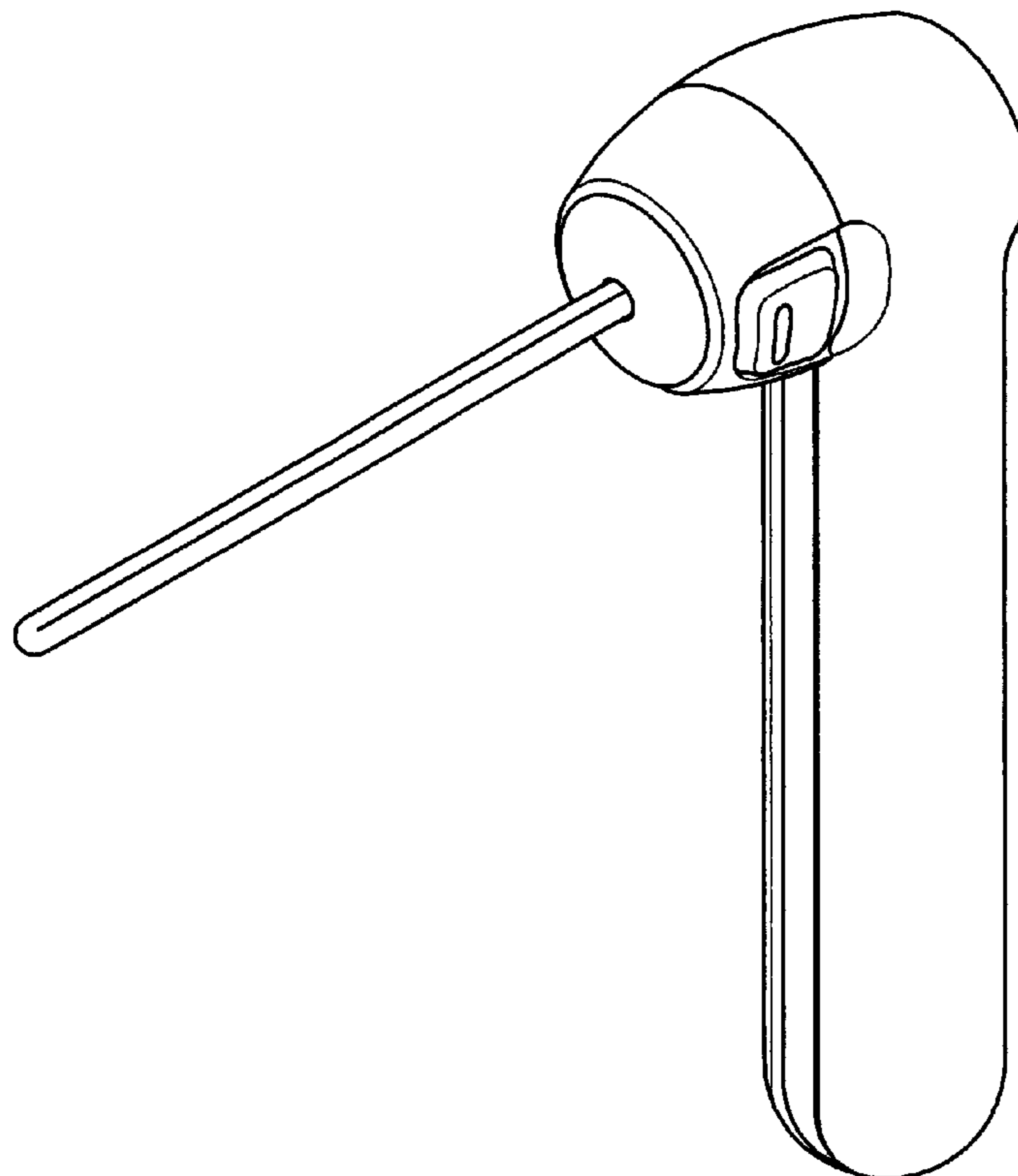
(57) **CLAIM**

The ornamental design for an antenna for portable phone, as shown and described.

DESCRIPTION

FIG. 1 is a perspective view of an antenna for portable phone showing our new design;
FIG. 2 is a front elevational view thereof;
FIG. 3 is a rear elevational view thereof;
FIG. 4 is a left side elevational view thereof;
FIG. 5 is a right side elevational view thereof;
FIG. 6 is a top plan view thereof;
FIG. 7 is a bottom plan view thereof; and,
FIG. 8 is a perspective view thereof showing a cap removed from the antenna body.

1 Claim, 5 Drawing Sheets



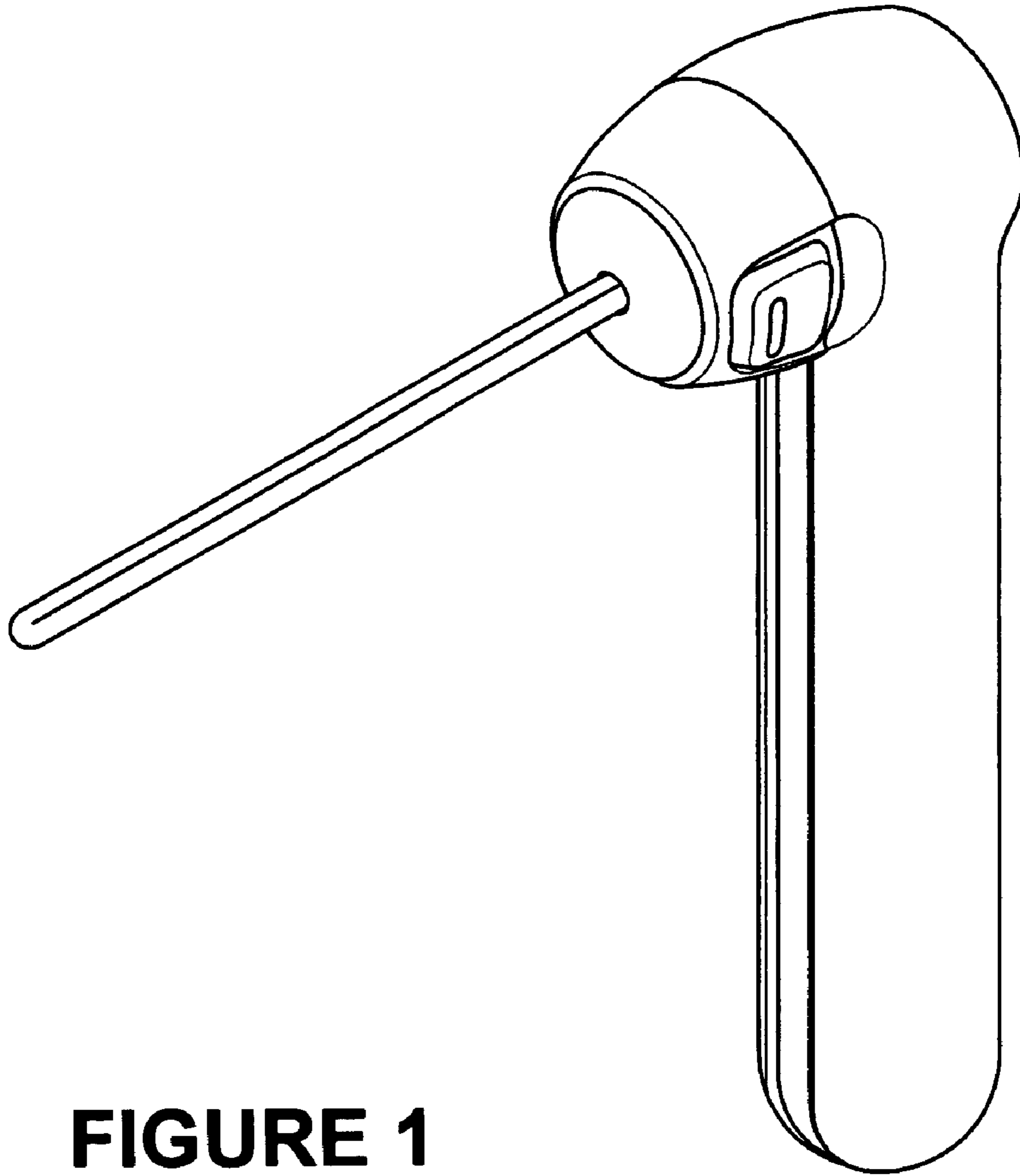


FIGURE 1

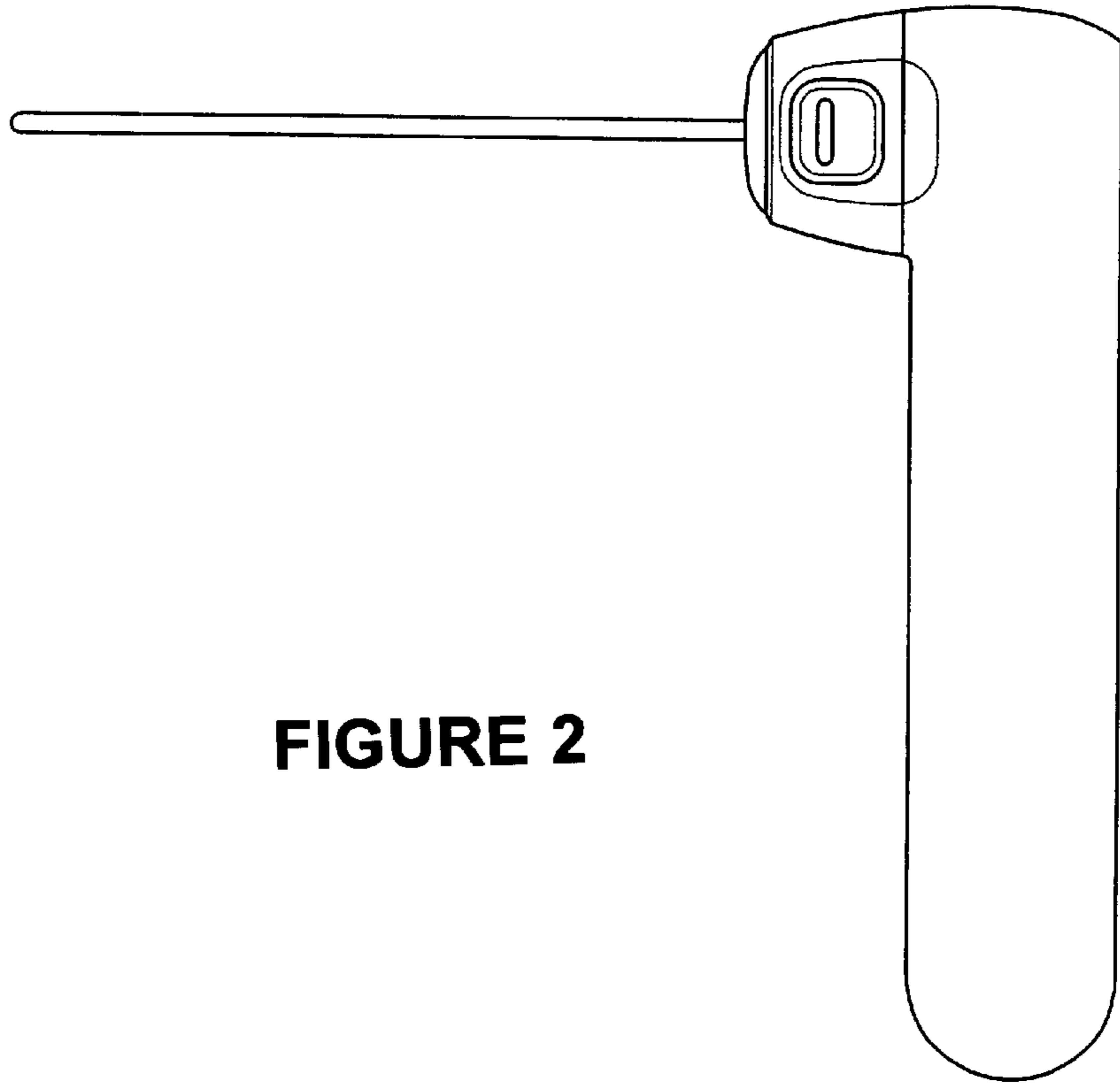


FIGURE 2

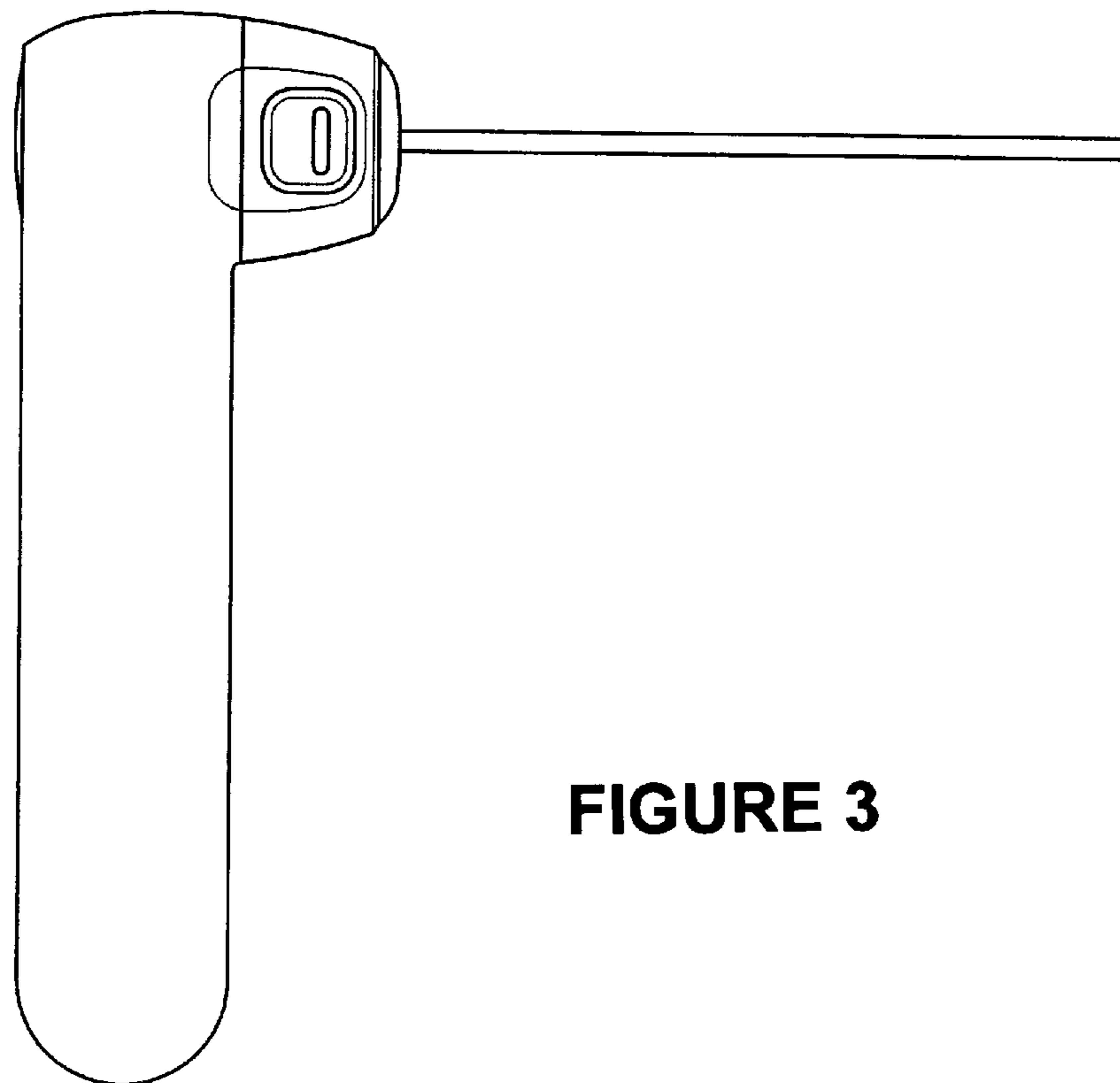


FIGURE 3

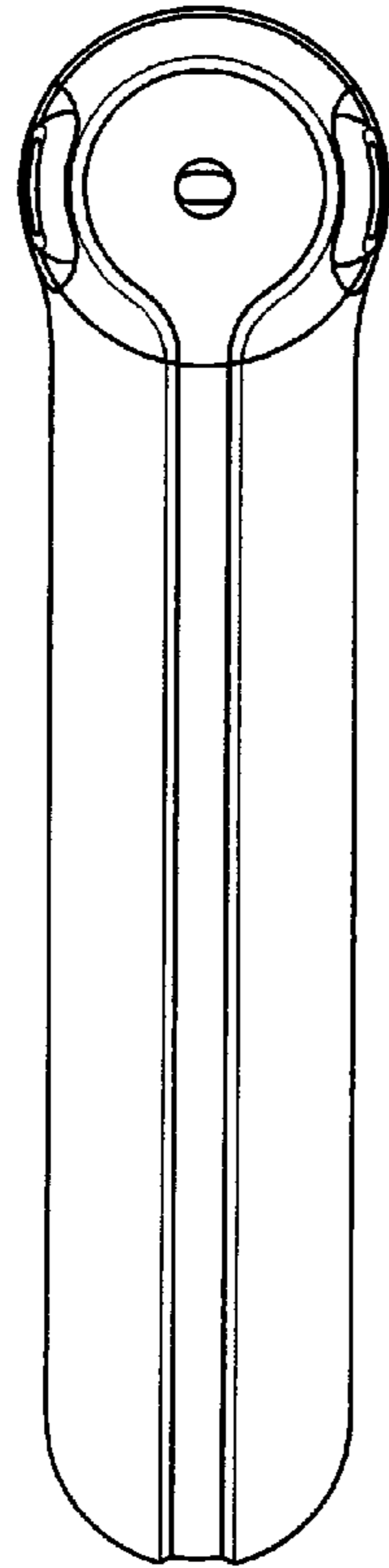


FIGURE 4

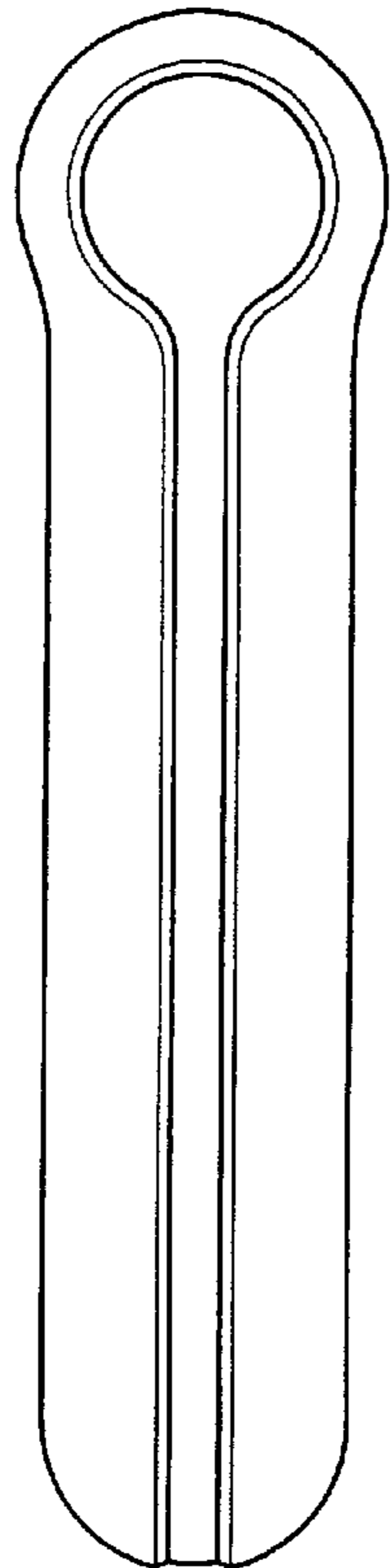


FIGURE 5

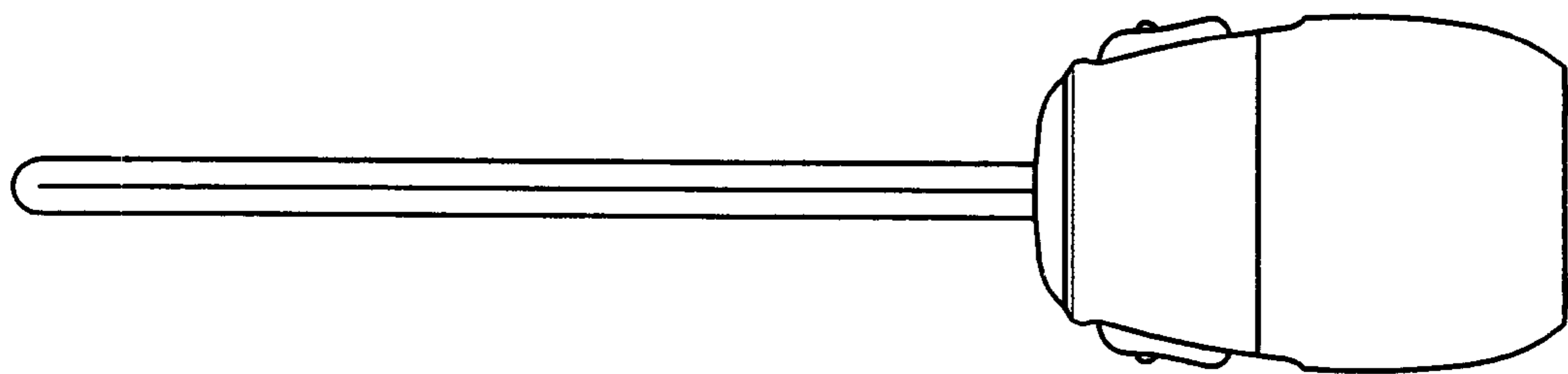


FIGURE 6

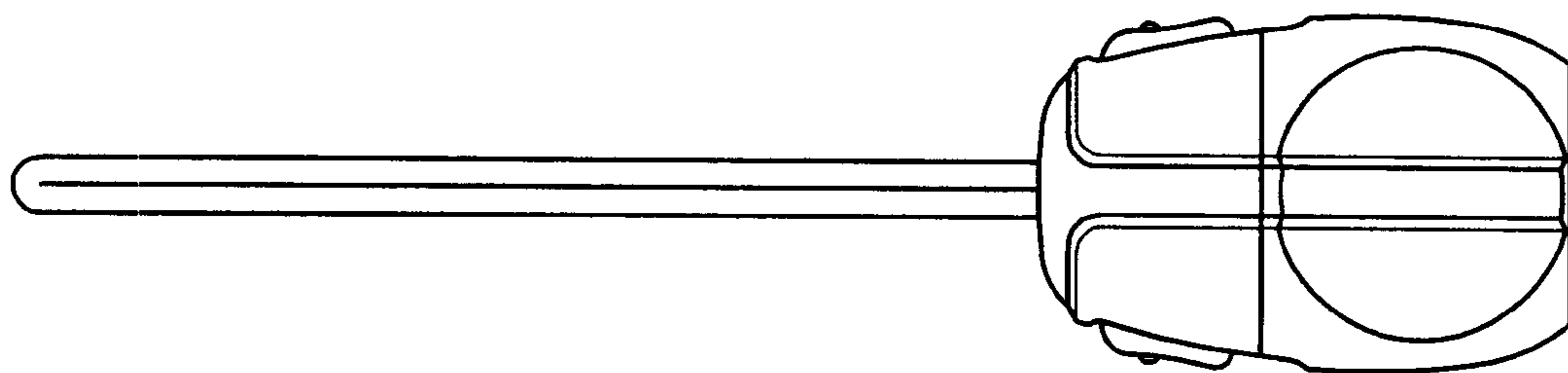


FIGURE 7

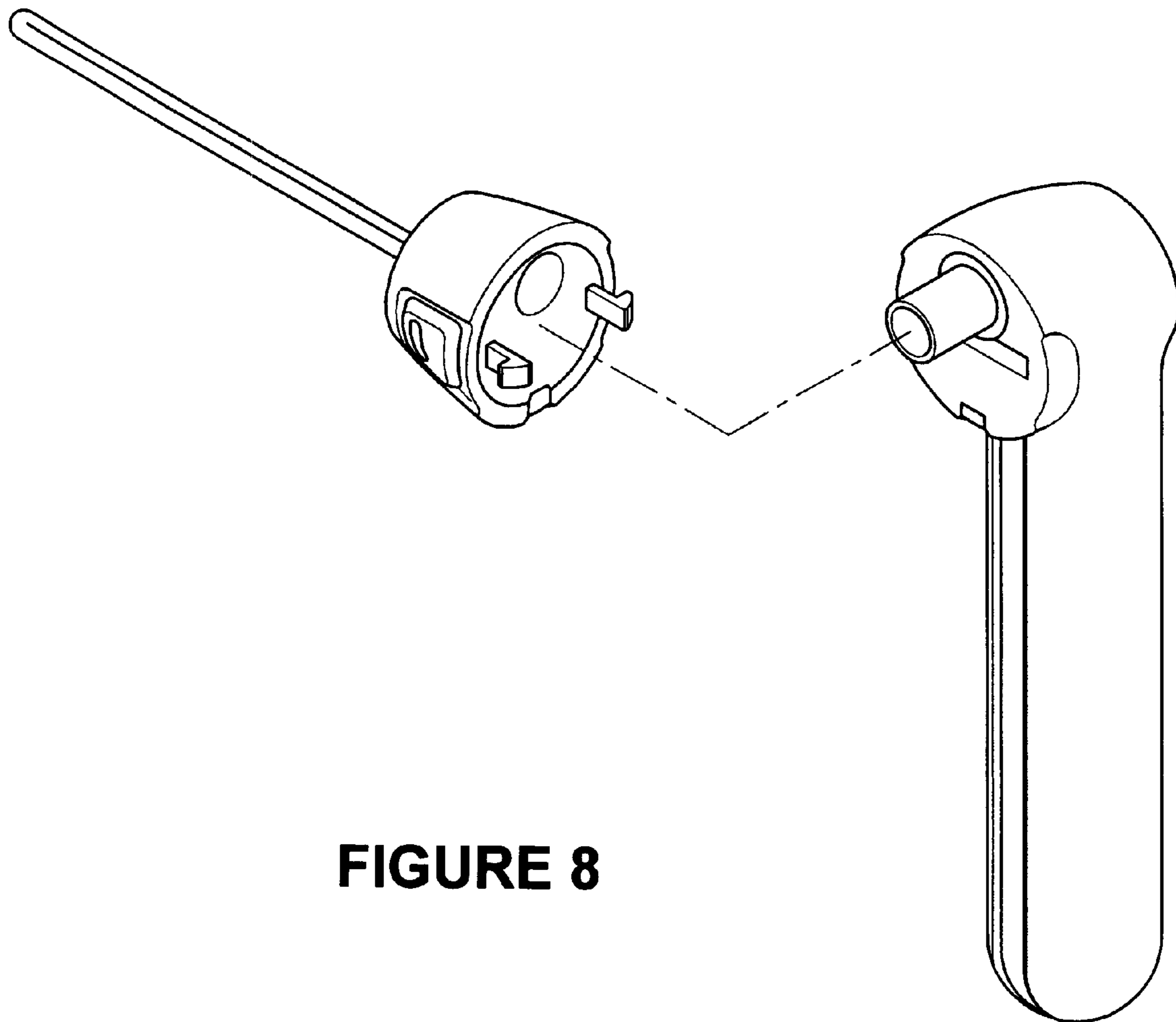


FIGURE 8