



US00D534160S

(12) **United States Design Patent**
Lin et al.

(10) **Patent No.:** **US D534,160 S**

(45) **Date of Patent:** **** Dec. 26, 2006**

(54) **USB SPEAKER**

(75) Inventors: **Howard Lin**, Hsinchu (TW);
Cheng-Hung Peng, Hsinchu (TW)

(73) Assignee: **Gigalumen Technology Corp.**, Hsinchu (TW)

(**) Term: **14 Years**

(21) Appl. No.: **29/235,032**

(22) Filed: **Jul. 27, 2005**

(30) **Foreign Application Priority Data**

Jan. 31, 2005 (TW) 94300577

(51) **LOC (8) Cl.** **14-01**

(52) **U.S. Cl.** **D14/216; D14/207**

(58) **Field of Classification Search** D14/204,
D14/207, 209-216; 181/143-144, 147-148,
181/150, 157, 198-199, 151, 153; 381/300-302,
381/306, 333, 345, 361-364, 386-388, 332,
381/336

See application file for complete search history.

(56) **References Cited**

U.S. PATENT DOCUMENTS

D285,303 S * 8/1986 van de Ven D14/215

D349,499 S * 8/1994 Collins D14/216
D446,785 S * 8/2001 Ohta D14/216
D466,886 S * 12/2002 Crane et al. D14/207
D494,566 S * 8/2004 Allen D14/215

* cited by examiner

Primary Examiner—Nanda Bondade

(74) *Attorney, Agent, or Firm*—Rabin & Berdo, P.C.

(57) **CLAIM**

The ornamental design for a “USB speaker,” as shown and described.

DESCRIPTION

FIG. 1 is a perspective view of USB speaker showing our new design;

FIG. 2 is front elevational view thereof;

FIG. 3 is a rear elevational view thereof;

FIG. 4 is a left side elevational view thereof;

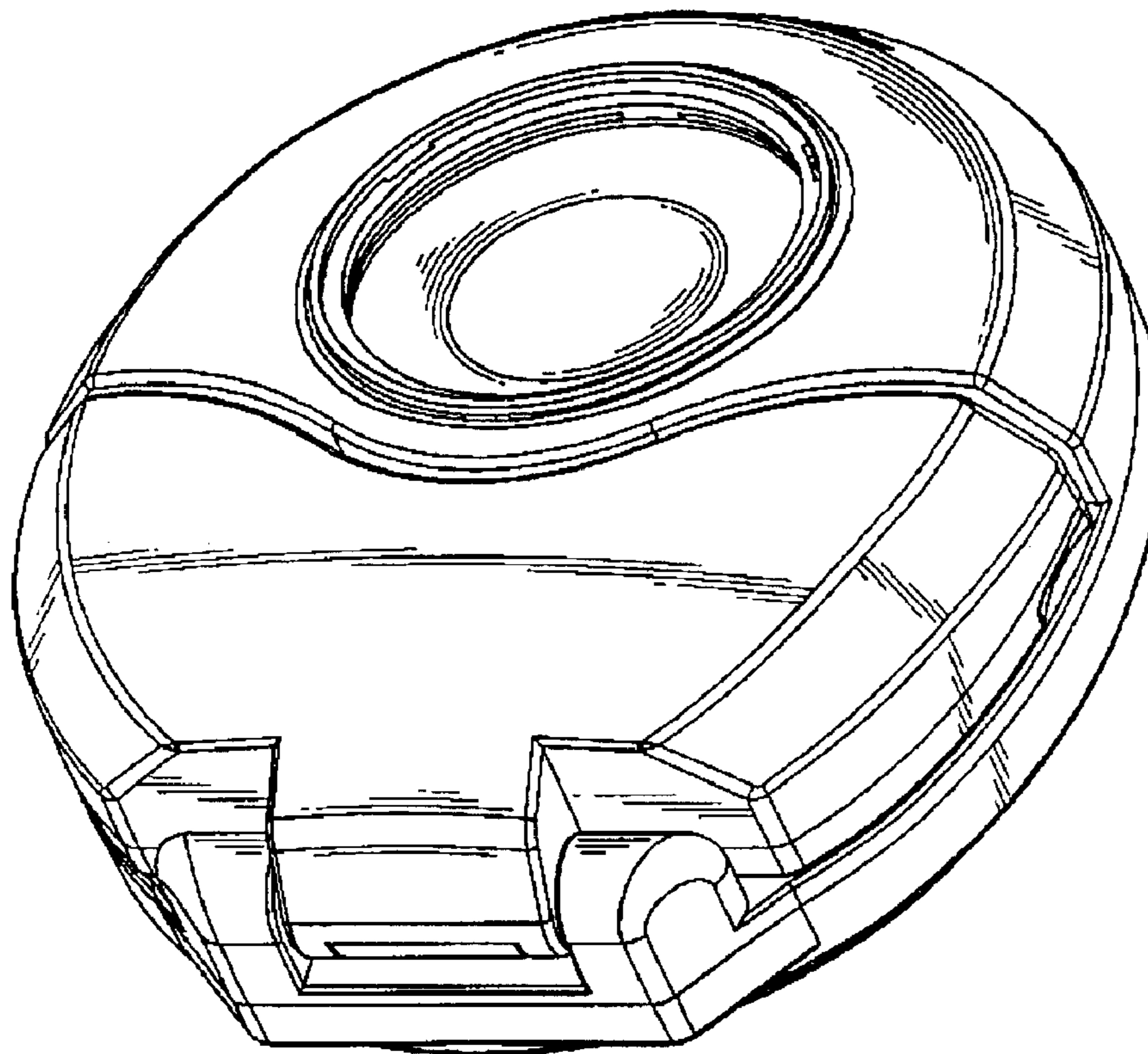
FIG. 5 is a right side elevational view thereof;

FIG. 6 is a top plan view thereof;

FIG. 7 is a bottom plan view thereof; and,

FIG. 8 is a perspective view thereof, shown in an open position.

1 Claim, 5 Drawing Sheets



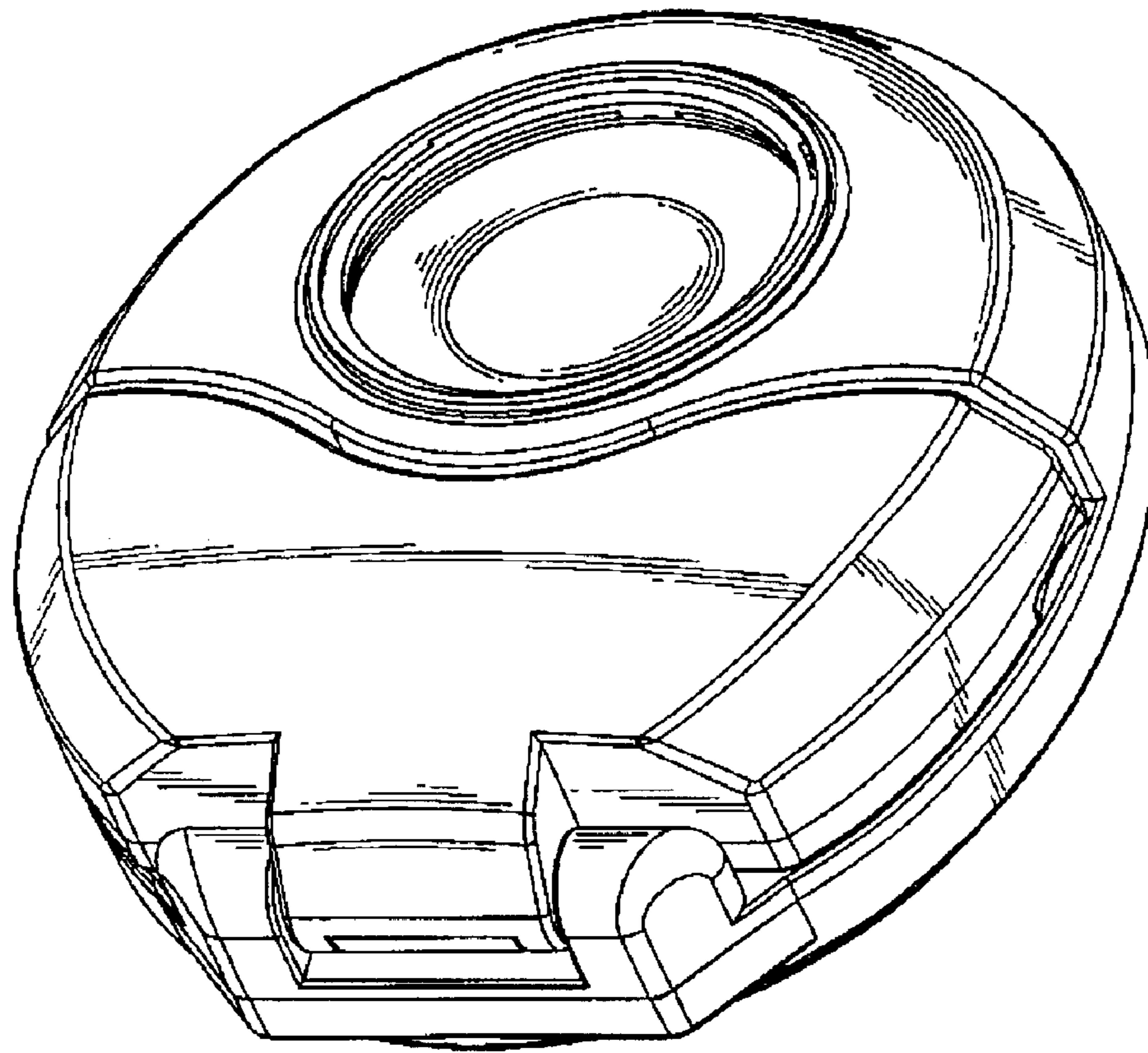


FIG.1

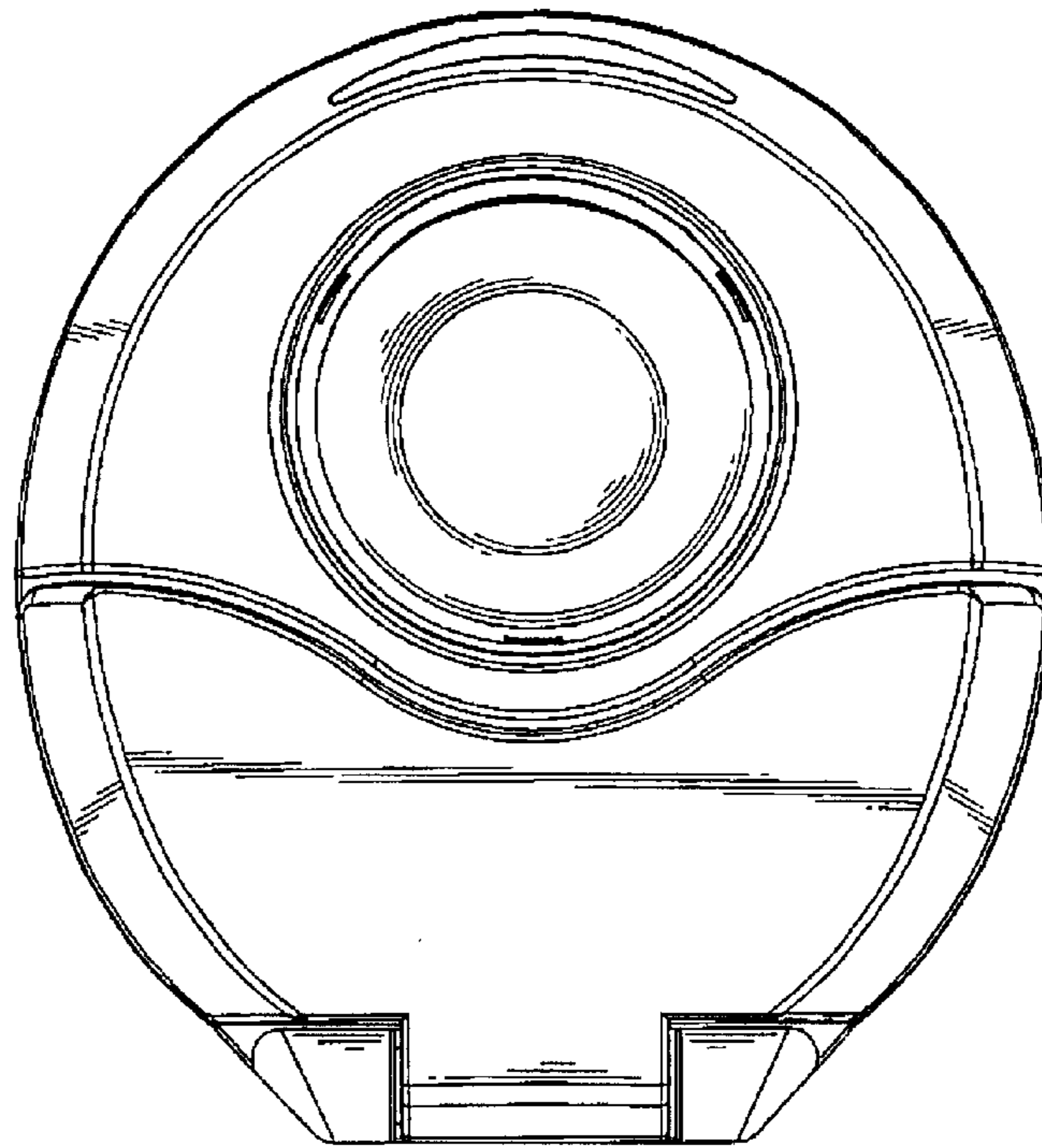


FIG. 2

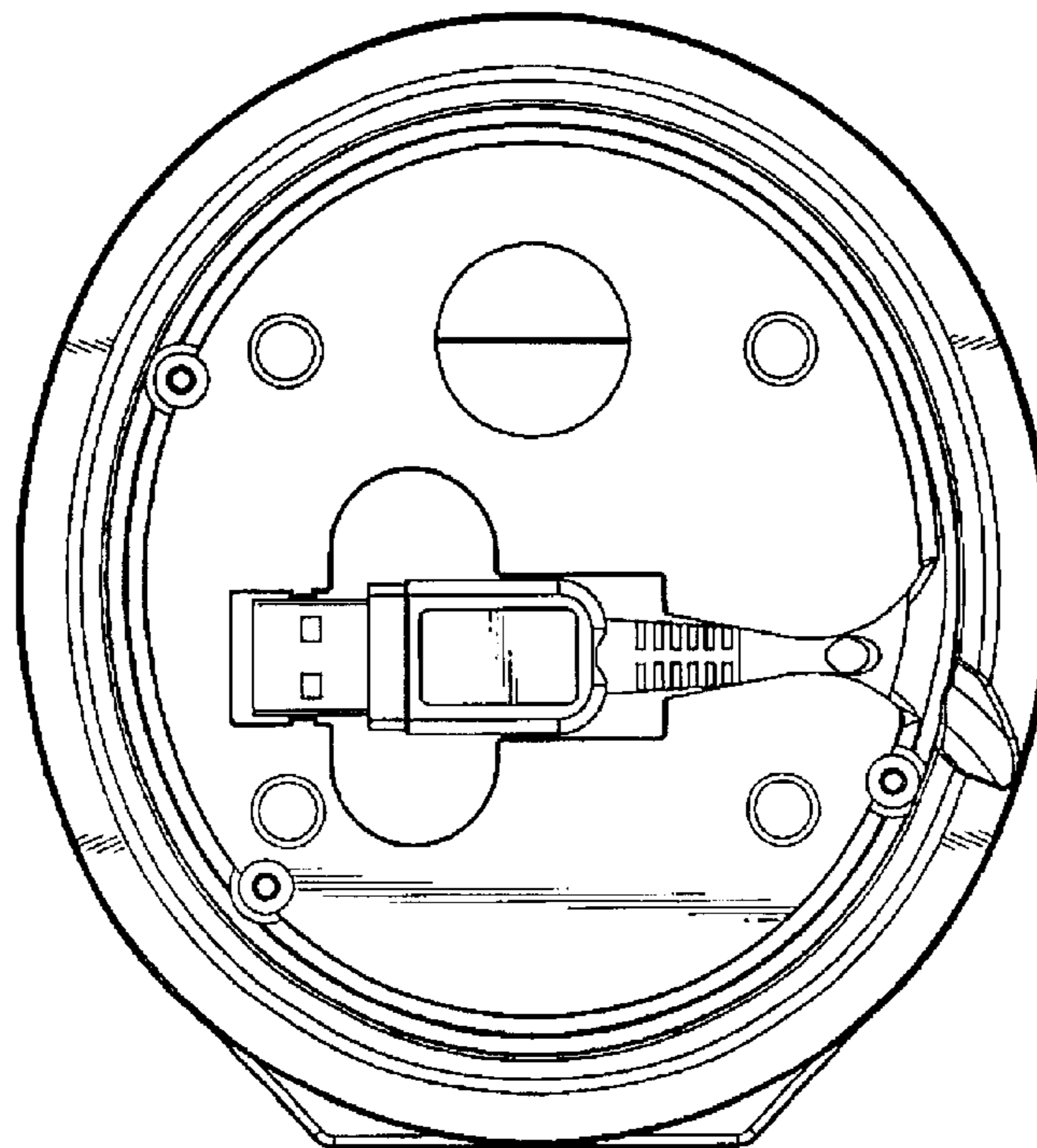


FIG. 3

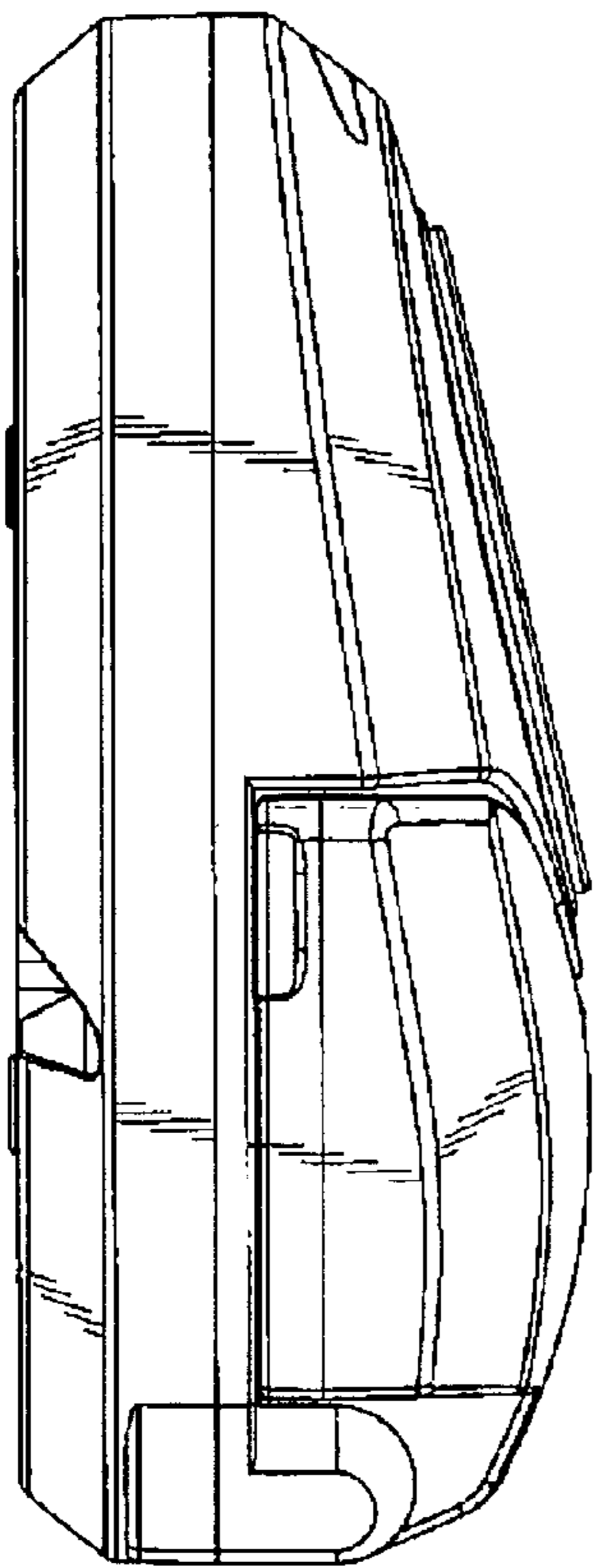


FIG. 4

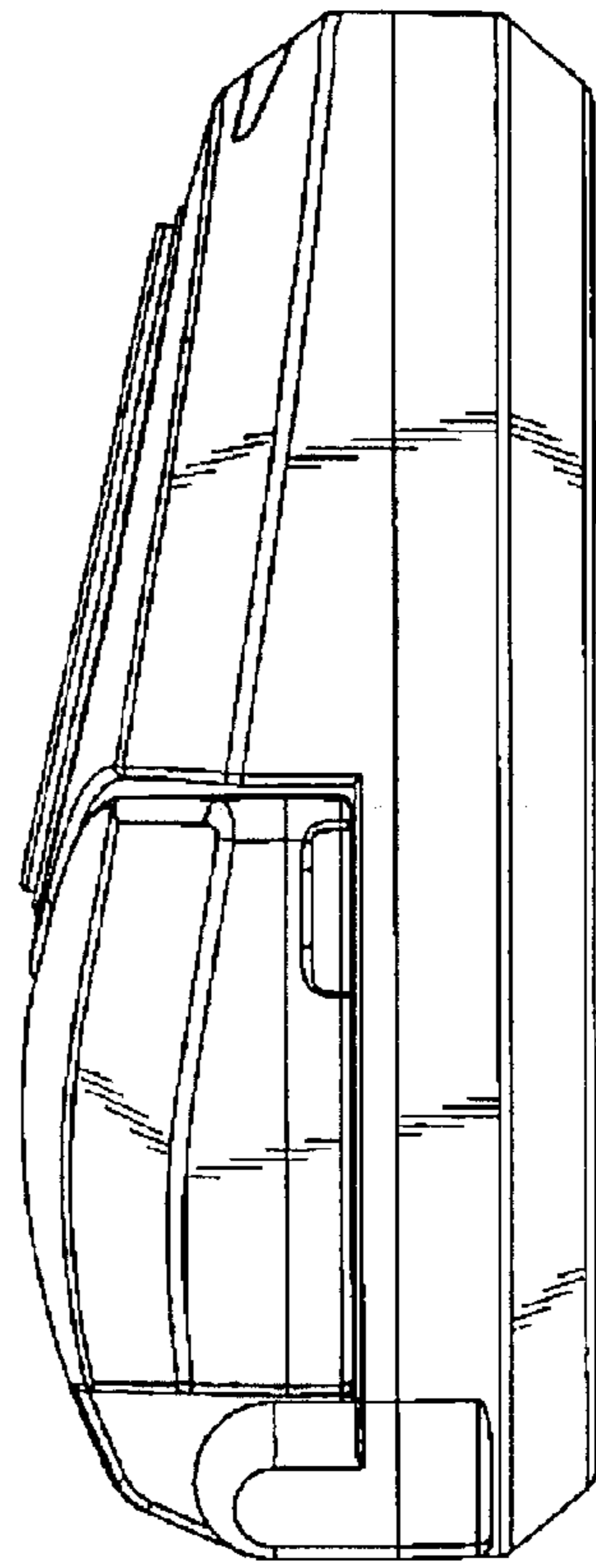


FIG. 5

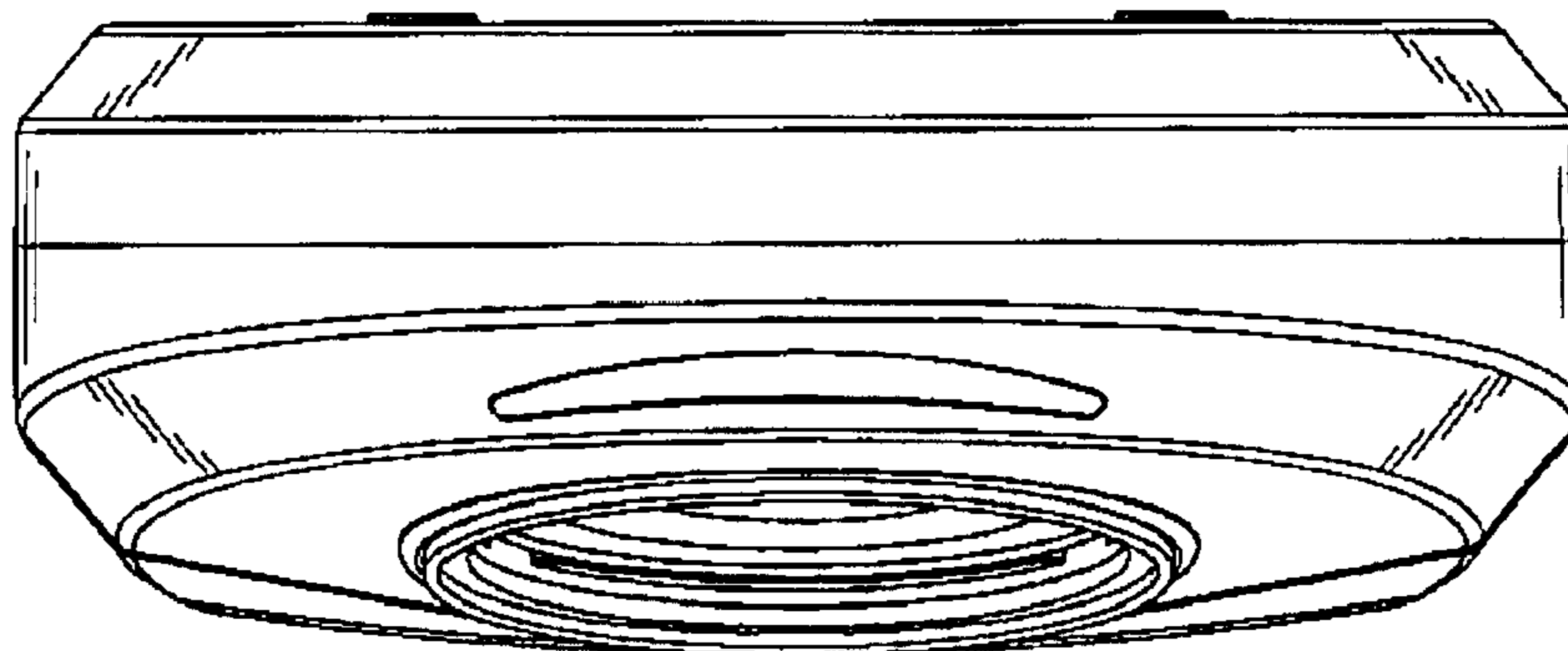


FIG. 6

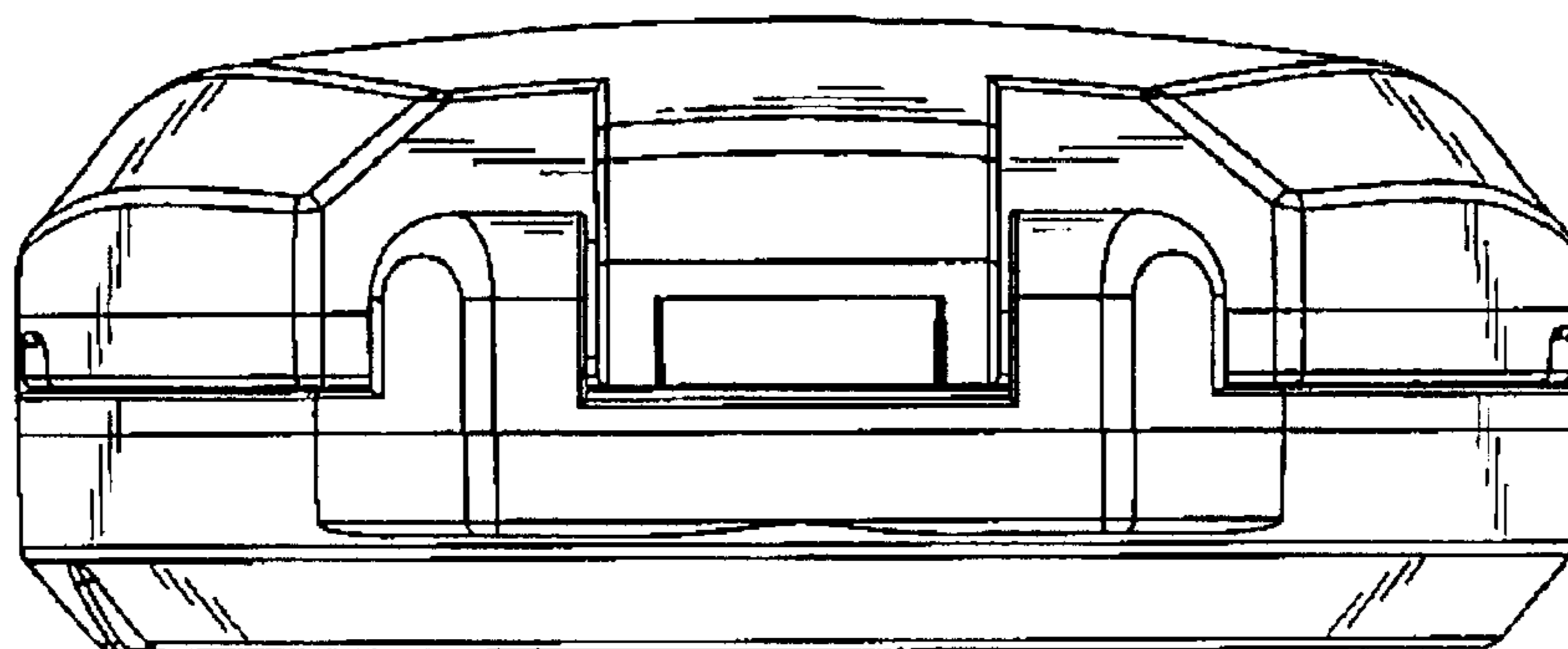


FIG. 7

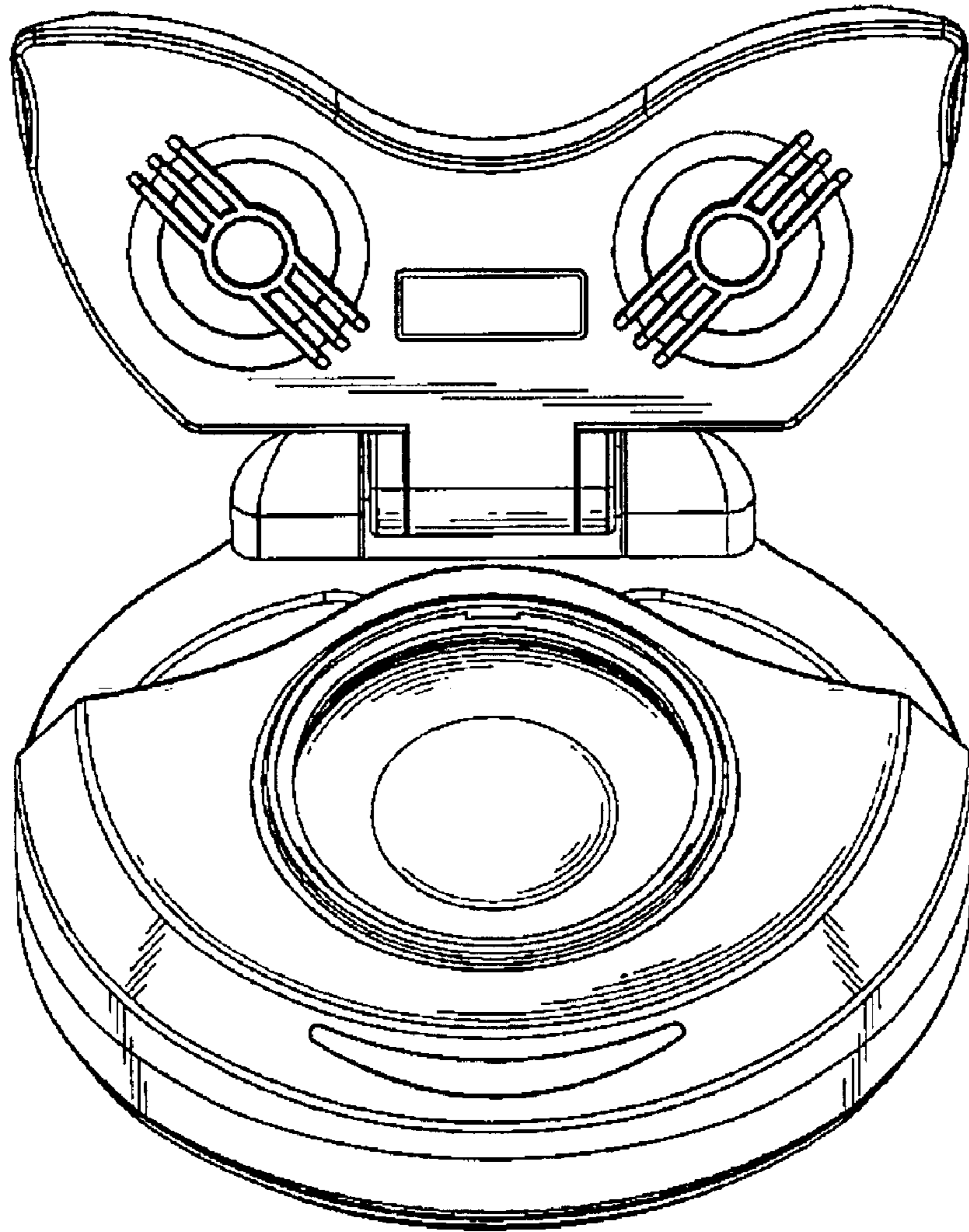


FIG. 8