

US00D534158S

(12) **United States Design Patent** (10) **Patent No.:** **US D534,158 S**  
**Yokoyama** (45) **Date of Patent:** **\*\* Dec. 26, 2006**

(54) **SPEAKER BOX**

(75) Inventor: **Hiroaki Yokoyama**, Tokyo (JP)

(73) Assignee: **Sony Corporation**, Tokyo (JP)

(\*\*) Term: **14 Years**

(21) Appl. No.: **29/234,630**

(22) Filed: **Jul. 21, 2005**

(30) **Foreign Application Priority Data**

Apr. 22, 2005 (JP) ..... D2005-011937

(51) **LOC (8) Cl.** ..... **14-01**

(52) **U.S. Cl.** ..... **D14/211; D14/215**

(58) **Field of Classification Search** ..... D14/204,  
D14/209-216, 356; 181/143-144, 147-148,  
181/150, 157, 198-199, 151, 153; 381/300-302,  
381/306, 333, 345, 361-364, 386-388, 332,  
381/336

See application file for complete search history.

(56) **References Cited**

**U.S. PATENT DOCUMENTS**

D381,988 S	8/1997	Ohba	
D391,574 S	* 3/1998	Chen	..... D14/211
D432,116 S	10/2000	Ichikawa et al.	
D440,555 S	* 4/2001	Dietz et al.	..... D14/214
D451,085 S	* 11/2001	Masui	..... D14/215
D465,212 S	* 11/2002	Lytel	..... D14/211
D484,489 S	* 12/2003	Matsuoka	..... D14/211
D489,055 S	4/2004	Yamada	

**OTHER PUBLICATIONS**

Web page, "SRS-D21PSBLK," [http://www.sonymstyle.com/is-bin/INTERSHOP.enfinity/eCS/Store/en/-/USD/SY\\_Dis...](http://www.sonymstyle.com/is-bin/INTERSHOP.enfinity/eCS/Store/en/-/USD/SY_Dis...), 1 sheet, Sony (May 2005).

Web page, "SRS-D511," [http://www.sonymstyle.com/is-bin/INTERSHOP.enfinity/eCS/Store/en/-/USD/SY\\_Dis...](http://www.sonymstyle.com/is-bin/INTERSHOP.enfinity/eCS/Store/en/-/USD/SY_Dis...), 1 sheet, Sony (May 2005).

Web page, "SRS-Z30," [http://www.sonymstyle.com/is-bin/INTERSHOP.enfinity/eCS/Store/en/-/USD/SY\\_Dis...](http://www.sonymstyle.com/is-bin/INTERSHOP.enfinity/eCS/Store/en/-/USD/SY_Dis...), 1 sheet, Sony (May 2005).

Web page, "SRS-Z1," [http://www.sonymstyle.com/is-bin/INTERSHOP.enfinity/eCS/Store/en/-/USD/SY\\_Dis...](http://www.sonymstyle.com/is-bin/INTERSHOP.enfinity/eCS/Store/en/-/USD/SY_Dis...), 1 sheet, Sony (May 2005).

Web page, "SRS-Z510," [http://www.sonymstyle.com/is-bin/INTERSHOP.enfinity/eCS/Store/en/-/USD/SY\\_Dis...](http://www.sonymstyle.com/is-bin/INTERSHOP.enfinity/eCS/Store/en/-/USD/SY_Dis...), 1 sheet, Sony (May 2005).

\* cited by examiner

*Primary Examiner*—Nanda Bondade  
(74) *Attorney, Agent, or Firm*—Rader, Fishman & Grauer PLLC

(57) **CLAIM**

The ornamental design for a speaker box, as shown.

**DESCRIPTION**

FIG. 1 is a perspective view of a speaker box showing my new design;

FIG. 2 is a front elevational view thereof;

FIG. 3 is a rear elevational view thereof;

FIG. 4 is a left side elevational view thereof;

FIG. 5 is a right side elevational view thereof;

FIG. 6 is a top plan view thereof; and,

FIG. 7 is a bottom plan view thereof.

**1 Claim, 7 Drawing Sheets**

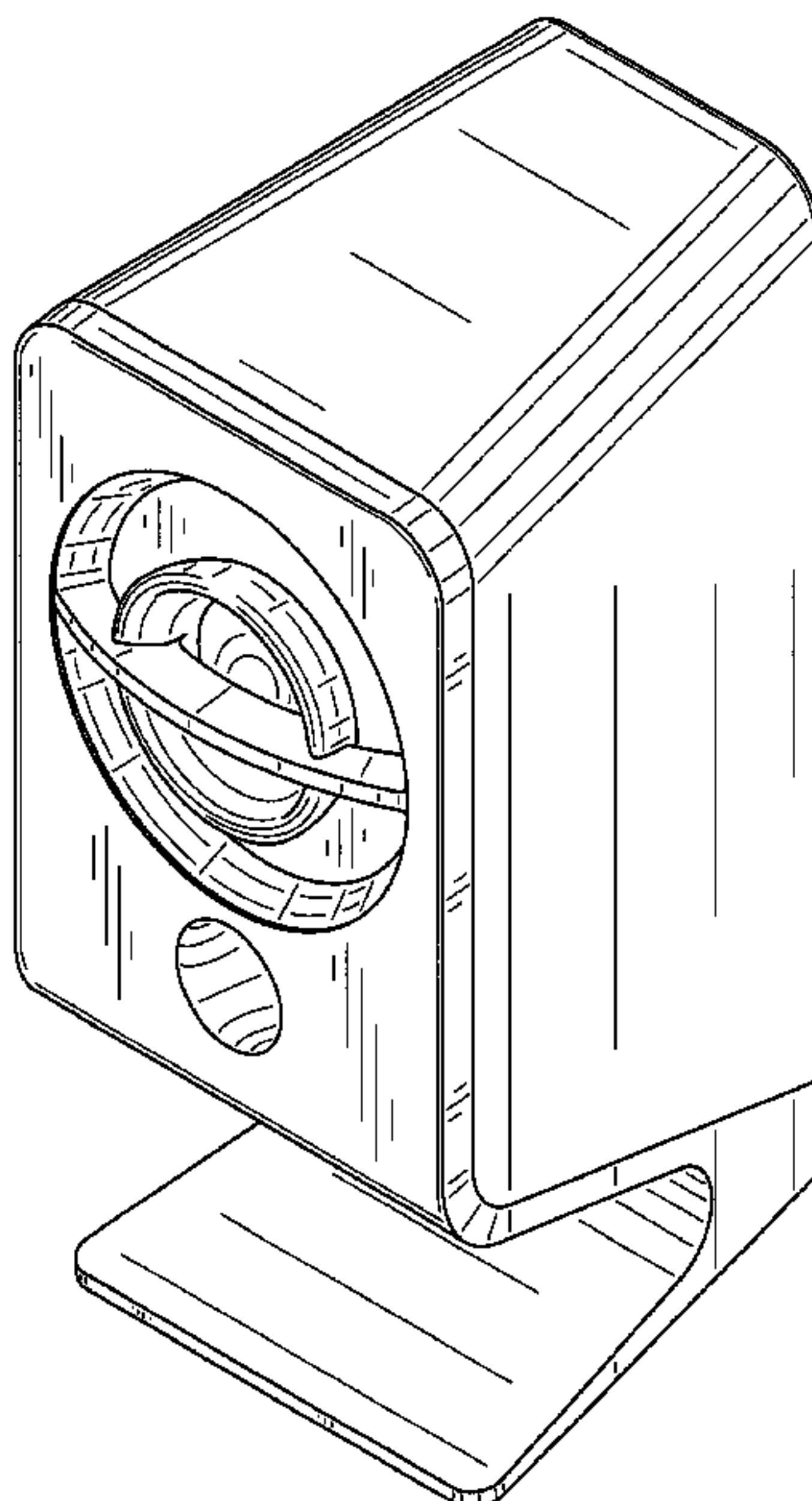


Fig. 1

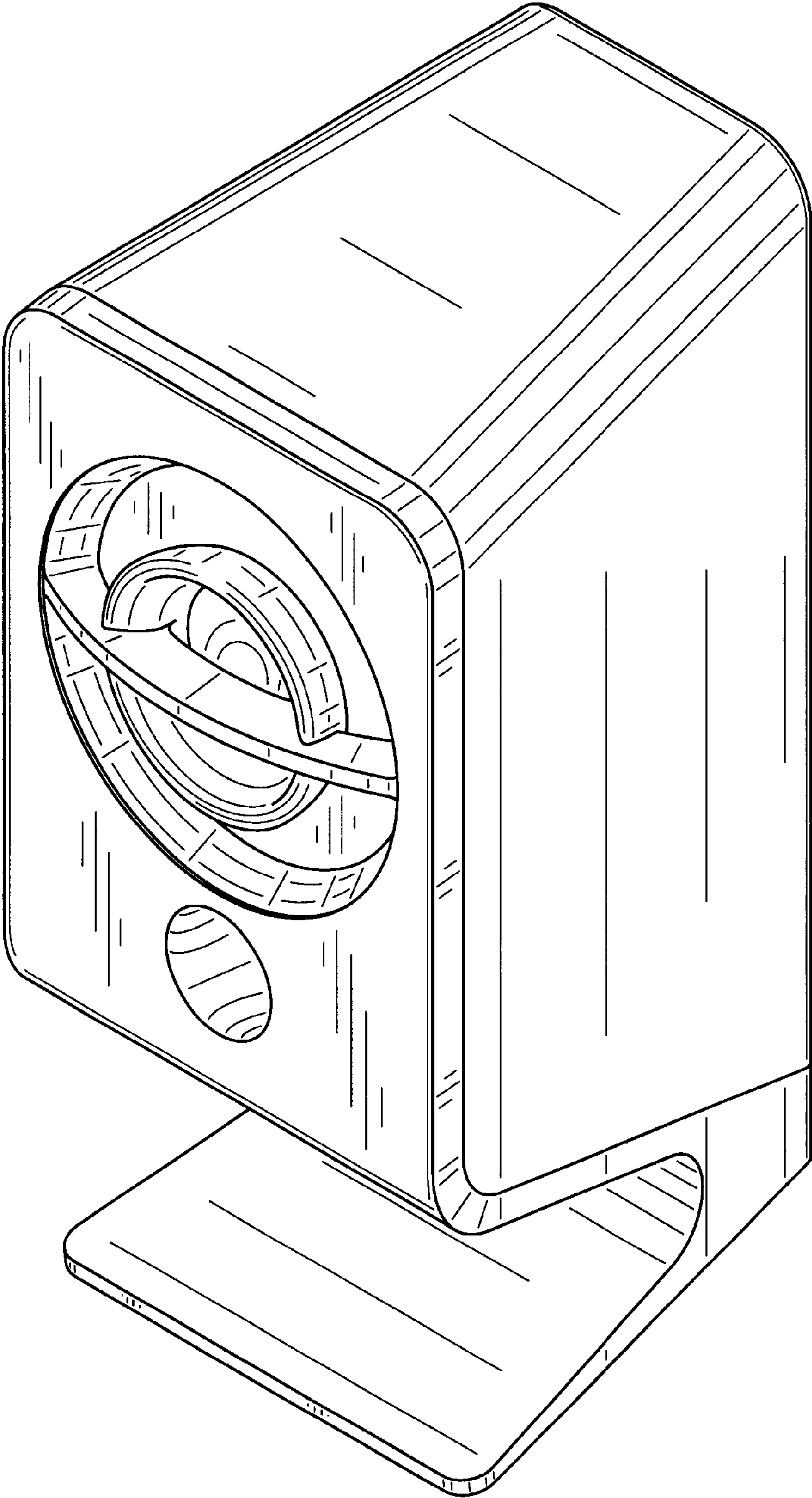


Fig.2

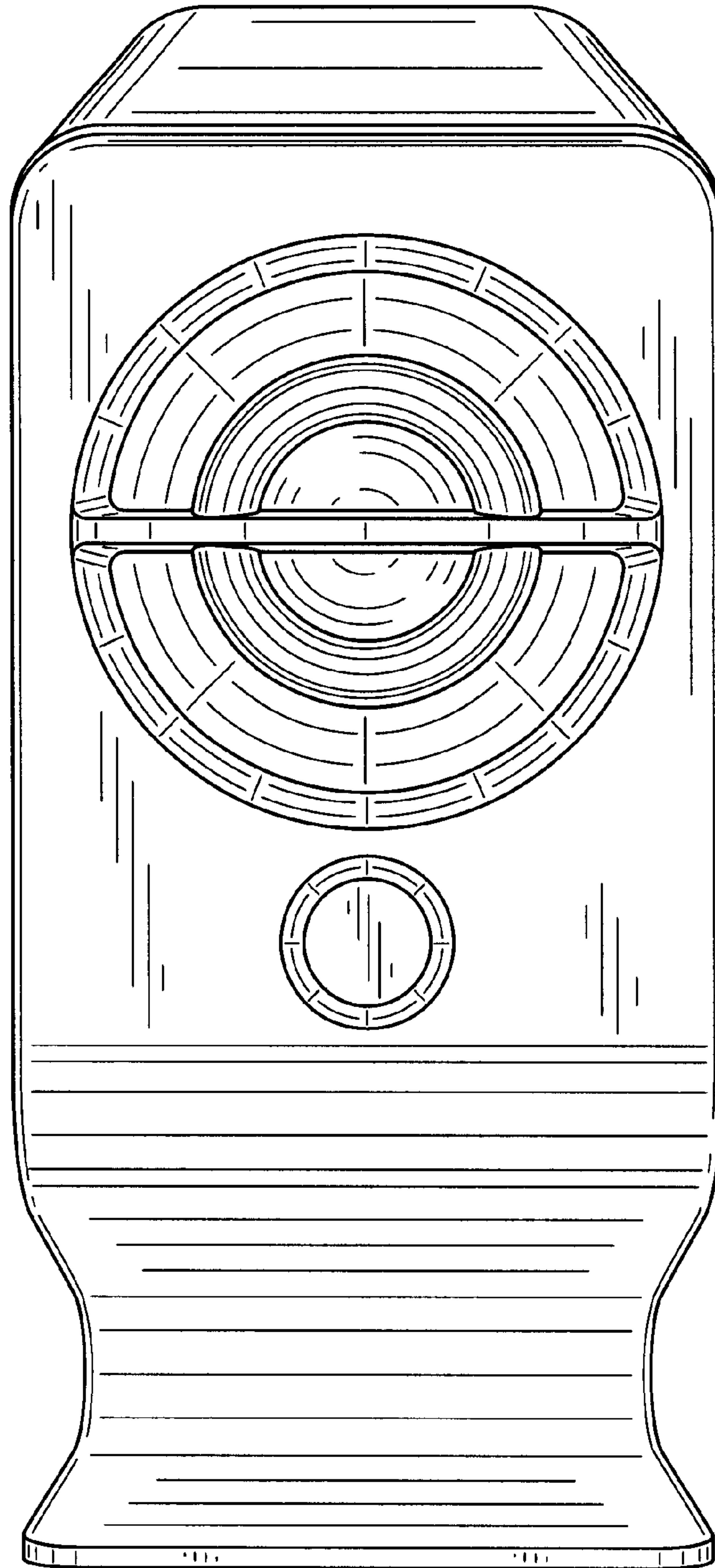


Fig.3

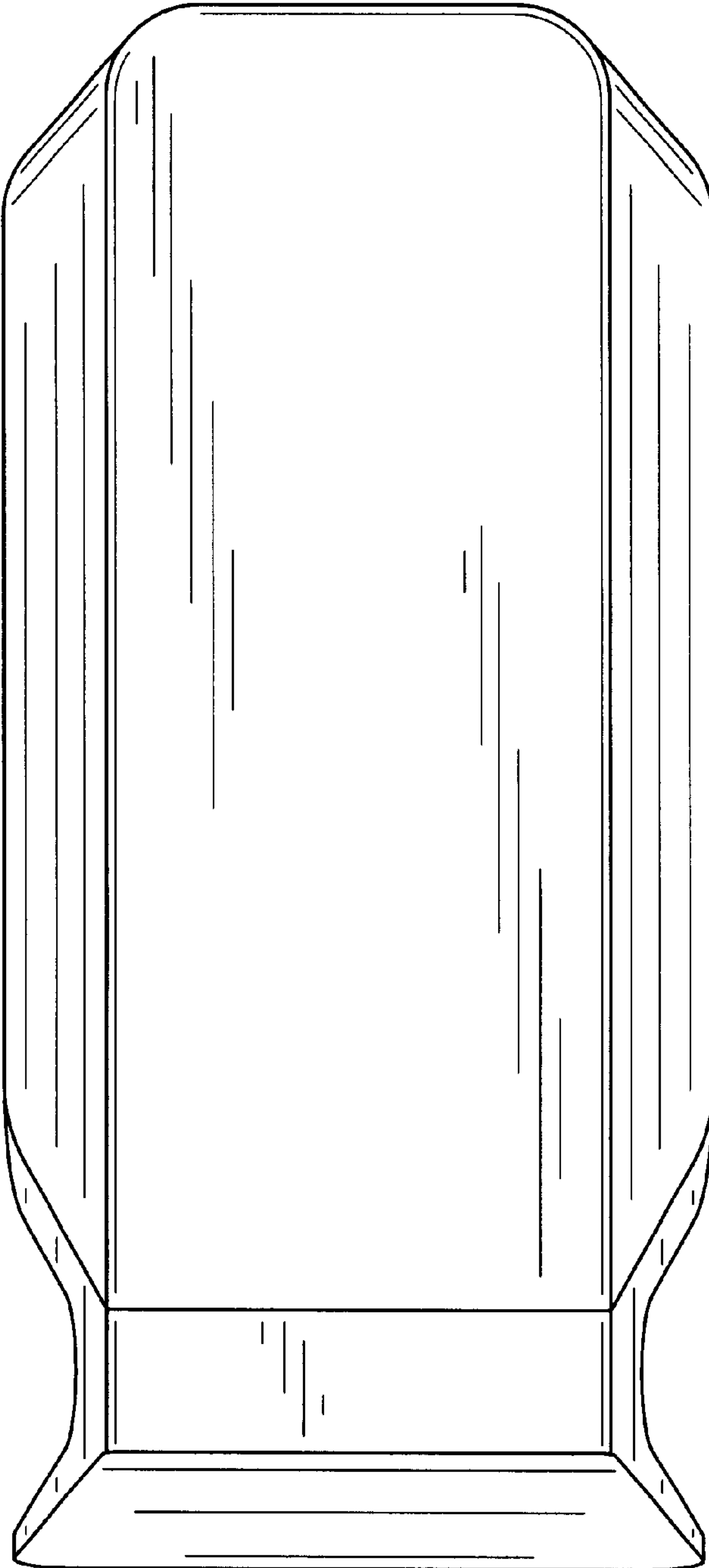


Fig.4

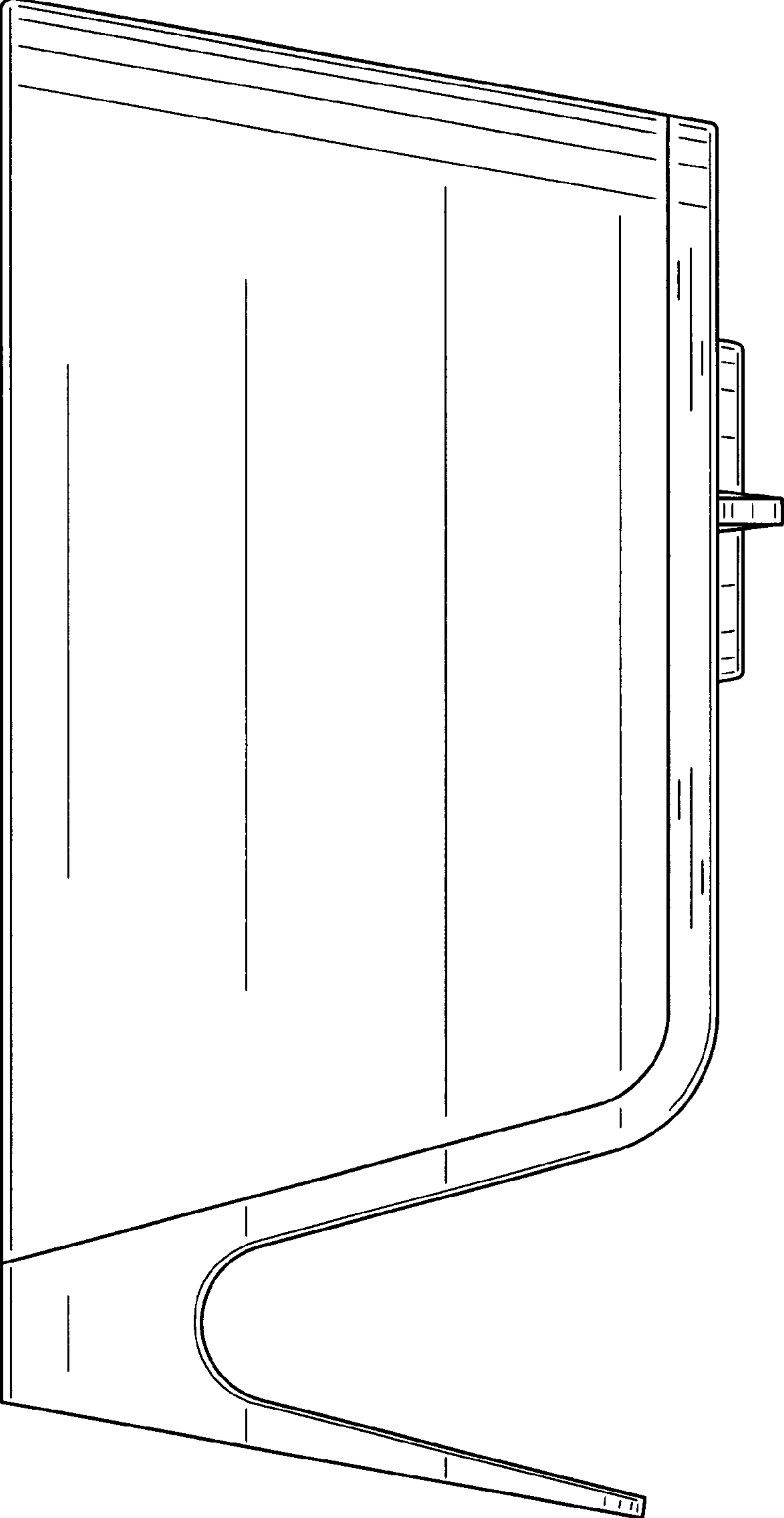




Fig.5

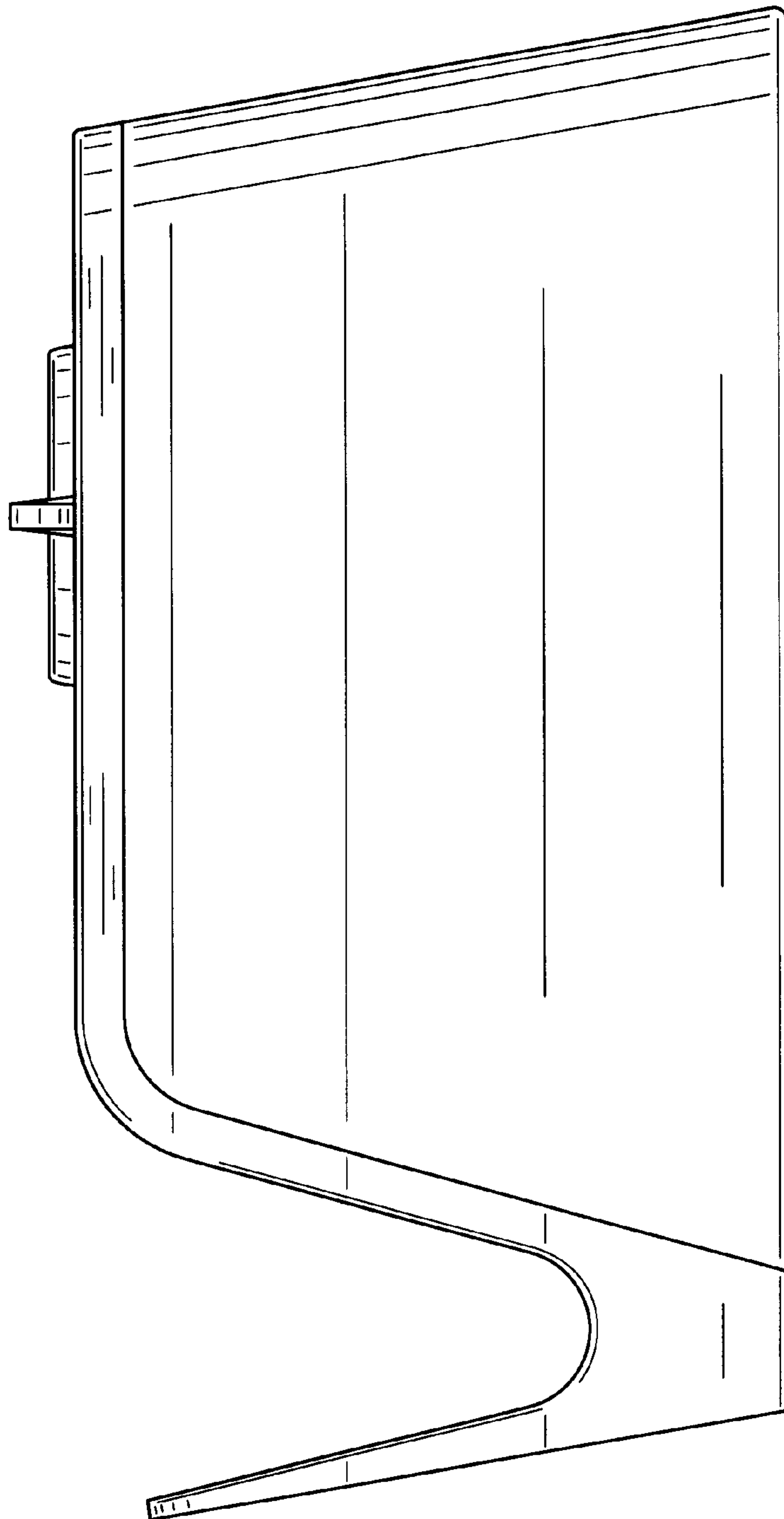


Fig.6

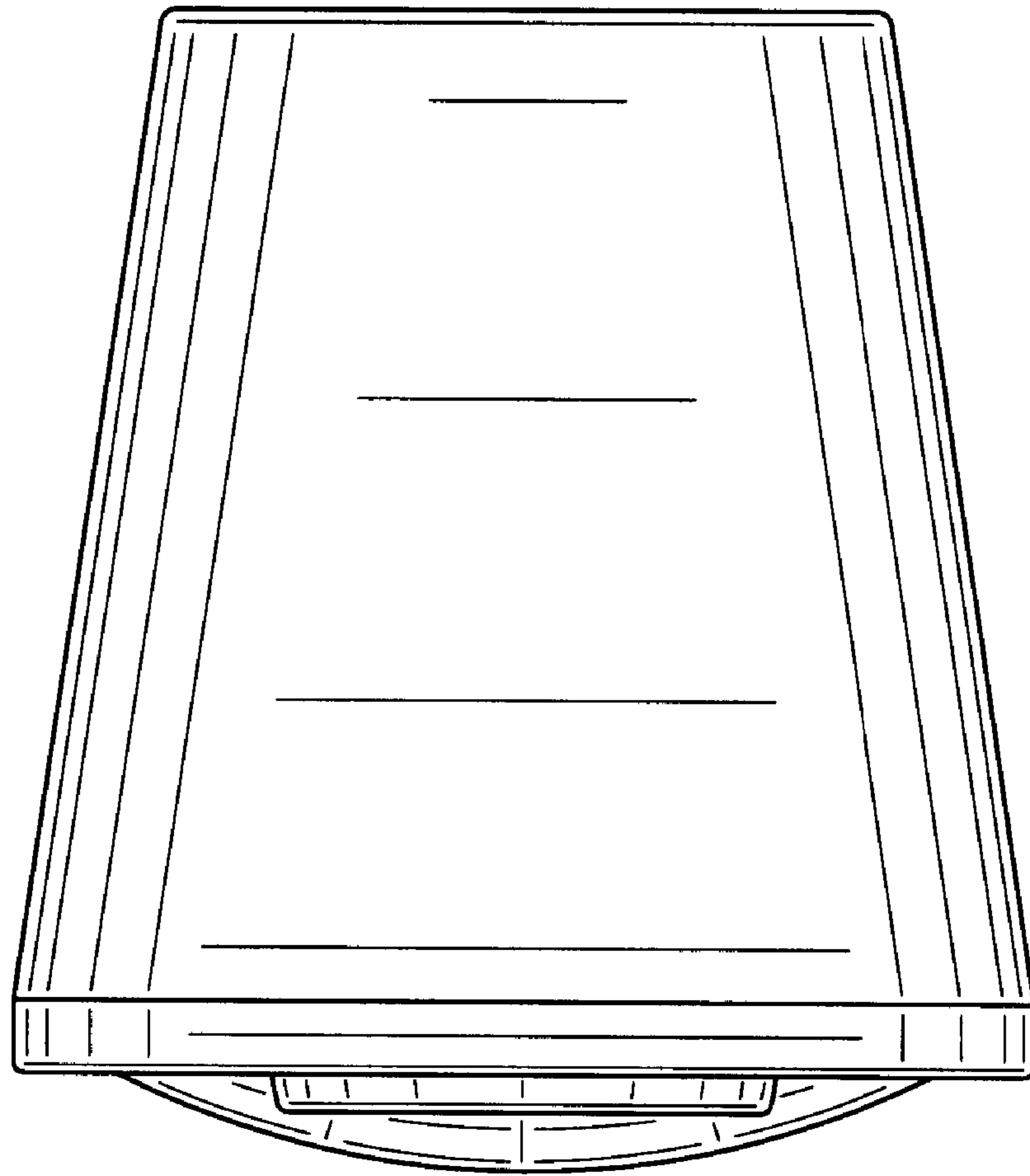


Fig.7

