



US00D534157S

(12) **United States Design Patent** (10) **Patent No.:** **US D534,157 S**
Yokoyama (45) **Date of Patent:** **** Dec. 26, 2006**

(54) **SPEAKER BOX**

(75) Inventor: **Hiroaki Yokoyama**, Tokyo (JP)

(73) Assignee: **Sony Corporation**, Tokyo (JP)

(**) Term: **14 Years**

(21) Appl. No.: **29/234,610**

(22) Filed: **Jul. 21, 2005**

(30) **Foreign Application Priority Data**

Apr. 22, 2005 (JP) D2005-011936

(51) **LOC (8) Cl.** **14-01**

(52) **U.S. Cl.** **D14/211**; D14/215

(58) **Field of Classification Search** D14/204,
D14/209-216, 356; 181/143-144, 147-148,
181/150, 157, 198-199, 151, 153; 381/300-302,
381/306, 333, 345, 361-364, 386-388, 332,
381/336

See application file for complete search history.

(56) **References Cited**

U.S. PATENT DOCUMENTS

| | | | |
|------------|-----------|-----------------|---------|
| D381,988 S | 8/1997 | Ohba | |
| D391,574 S | * 3/1998 | Chen | D14/211 |
| D432,116 S | 10/2000 | Ichikawa et al. | |
| D440,555 S | * 4/2001 | Dietz et al. | D14/214 |
| D451,085 S | * 11/2001 | Masui | D14/215 |
| D465,212 S | * 11/2002 | Lytel | D14/211 |
| D478,565 S | 8/2003 | Oikawa | |
| D484,489 S | * 12/2003 | Matsuoka | D14/211 |
| D489,055 S | 4/2004 | Yamada | |

OTHER PUBLICATIONS

Web page "SRS-D21PSBLK," http://www.sonystyle.com/is-bin/INTERSHOP.enfinity/eCS/Store/en/-/USD/SY_Dis..., 1 sheet, Sony (May 2005).

Web page "SRS-D511," http://www.sonystyle.com/is-bin/INTERSHOP.enfinity/eCS/Store/en/-/USD/SY_Dis..., 1 sheet, Sony (May 2005).

Web page "SRS-Z1," http://www.sonystyle.com/is-bin/INTERSHOP.enfinity/eCS/Store/en/-/USD/SY_Dis..., 1 sheet, Sony (Apr. 2005).

Web page "SRS-Z510," http://www.sonystyle.com/is-bin/INTERSHOP.enfinity/eCS/Store/en/-/USD/SY_Dis..., 1 sheet, Sony (Apr. 2005).

Web page "SRS-Z30," http://www.sonystyle.com/is-bin/INTERSHOP.enfinity/eCS/Store/en/-/USD/SY_Dis..., 1 sheet, Sony (Apr. 2005).

* cited by examiner

Primary Examiner—Nanda Bondade

(74) *Attorney, Agent, or Firm*—Rader, Fishman & Grauer PLLC

(57) **CLAIM**

The ornamental design for a speaker box, as shown and described.

DESCRIPTION

FIG. 1 is a perspective view of a speaker box showing my new design;

FIG. 2 is a front elevational view thereof;

FIG. 3 is a rear elevational view thereof;

FIG. 4 is a left side elevational view thereof;

FIG. 5 is a right side elevational view thereof;

FIG. 6 is a top plan view thereof; and,

FIG. 7 is a bottom plan view thereof.

Portions of FIGS. 1, 2, and 4-7 that are shown as broken lines are for illustrative purpose only and form no part of the claimed design.

1 Claim, 7 Drawing Sheets

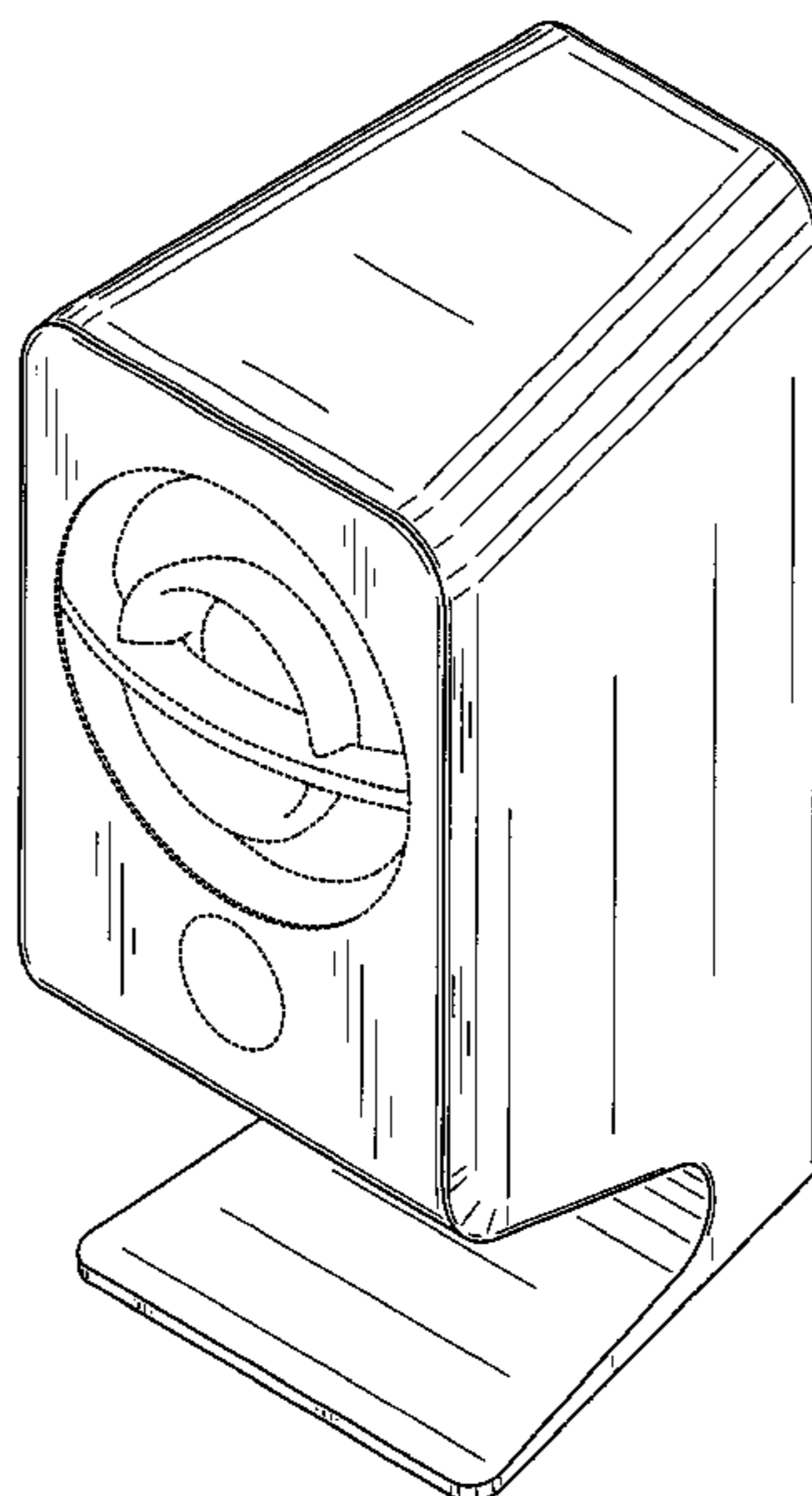


Fig. 1

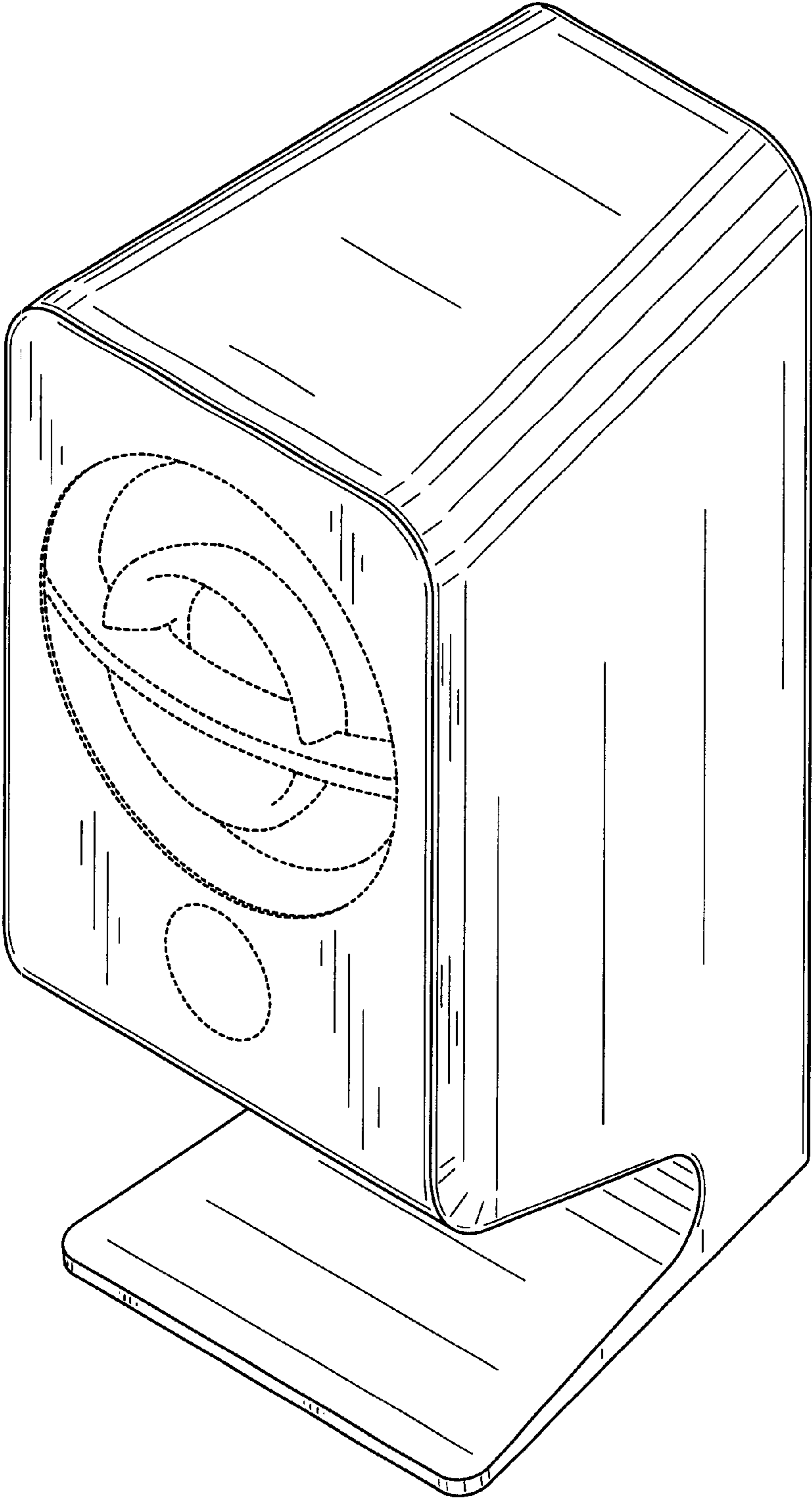


Fig.2

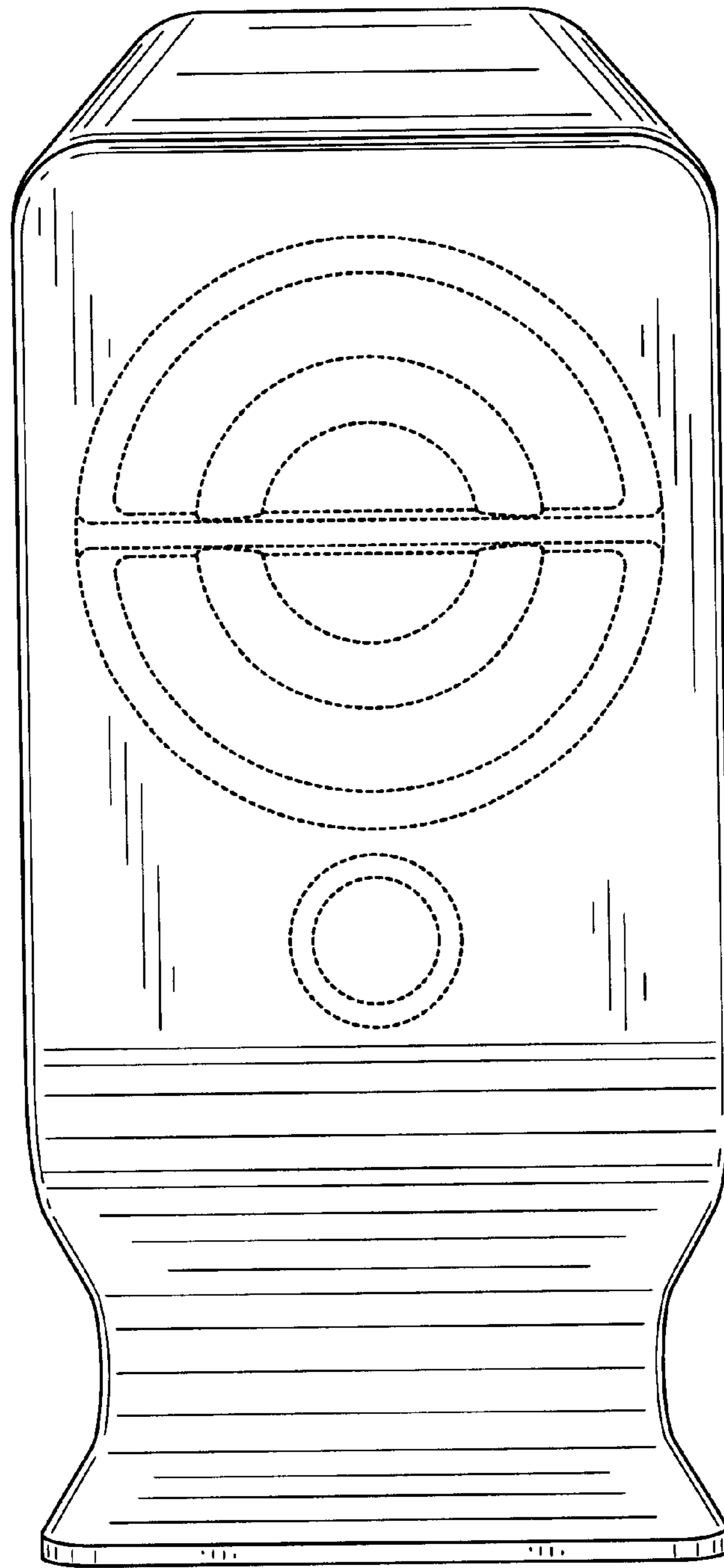


Fig.3

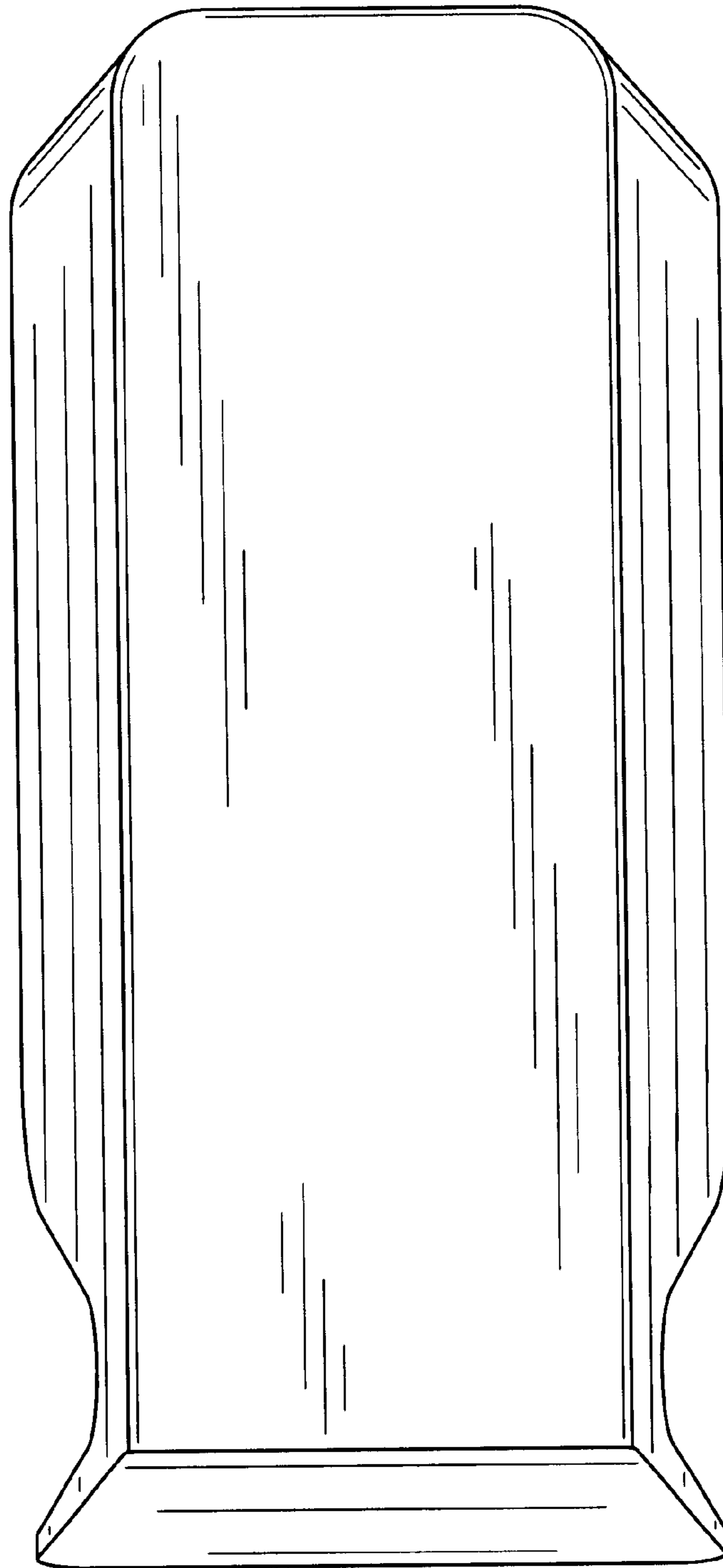


Fig.4

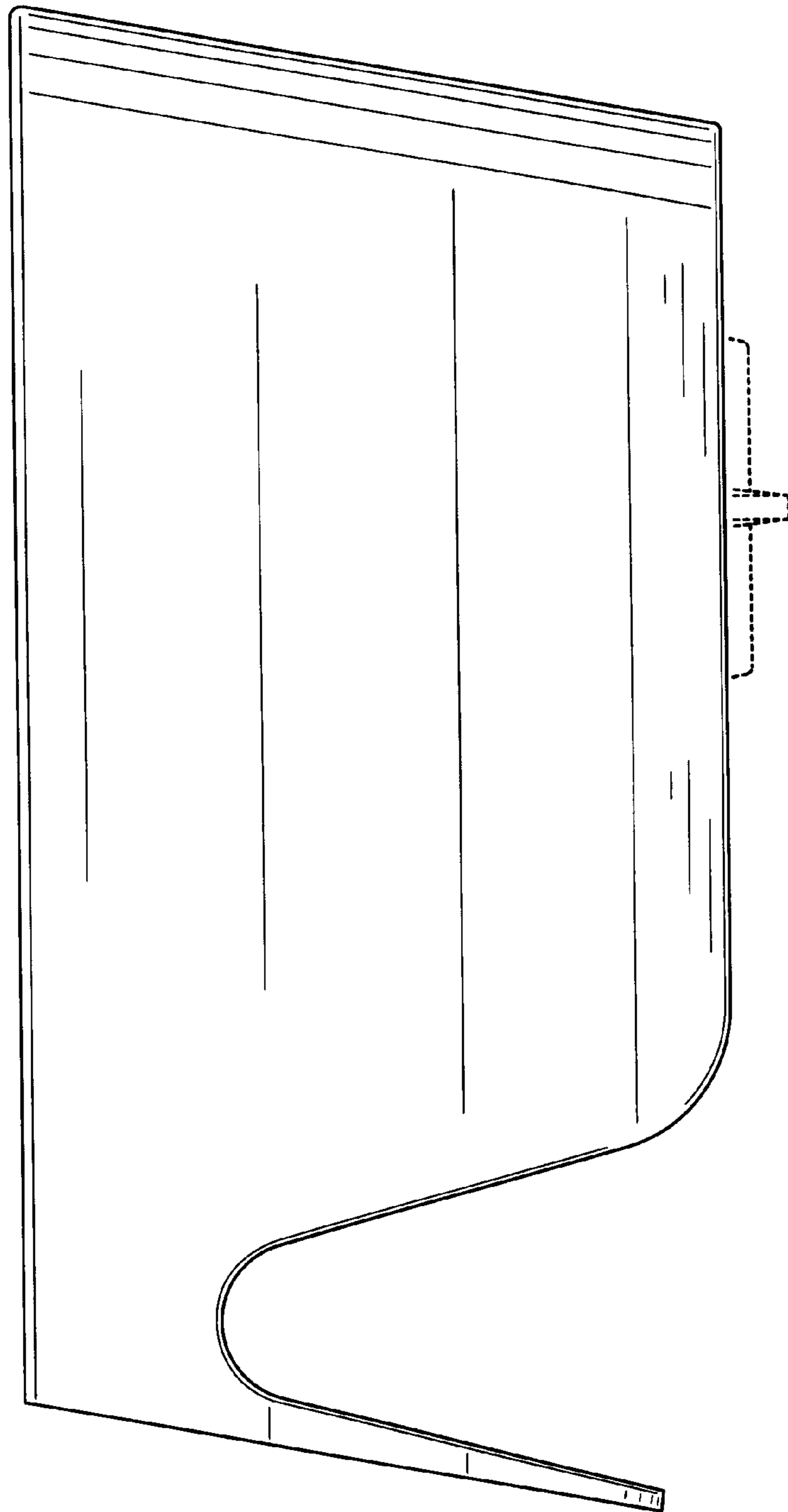


Fig.5

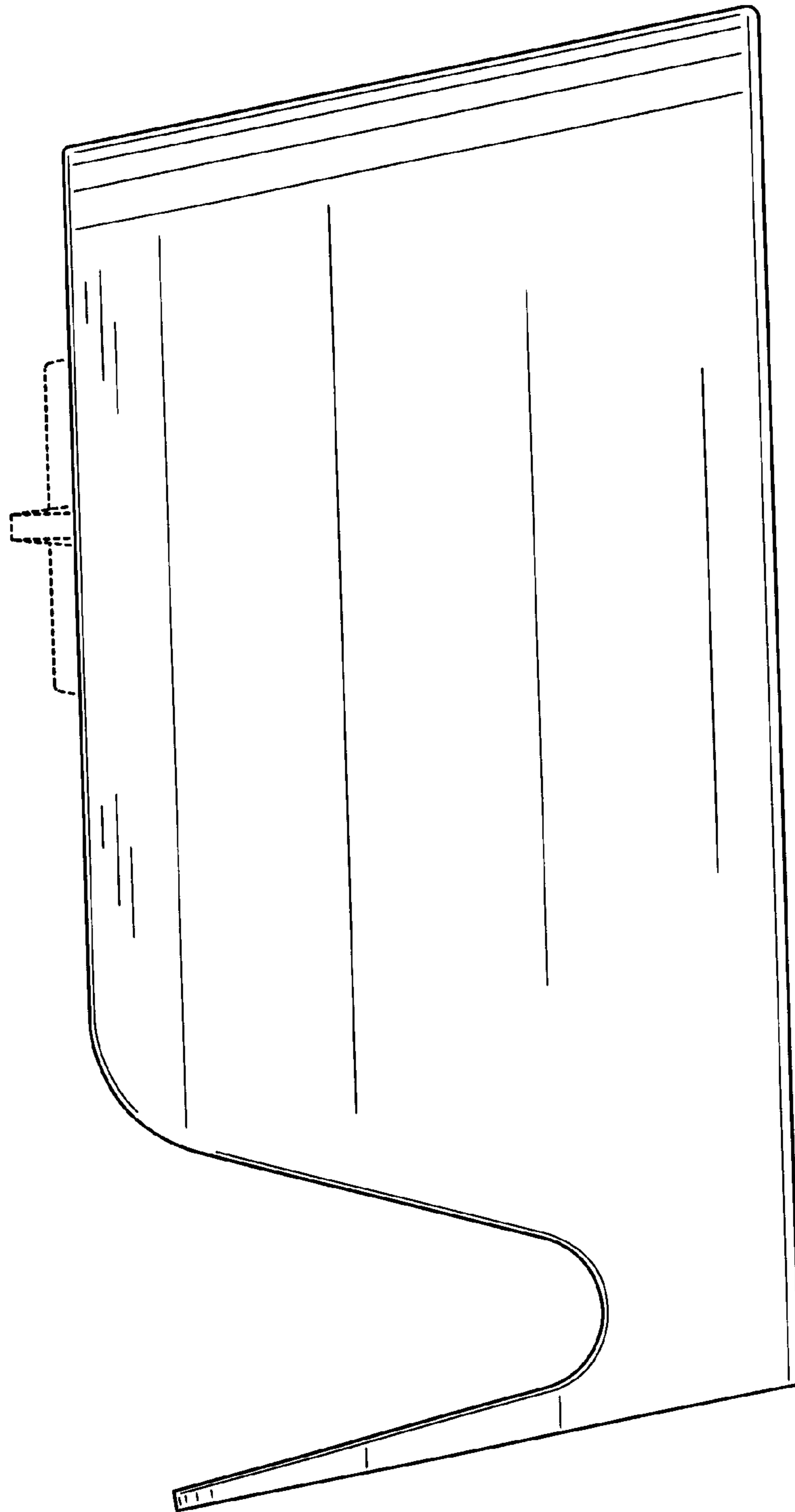


Fig.6

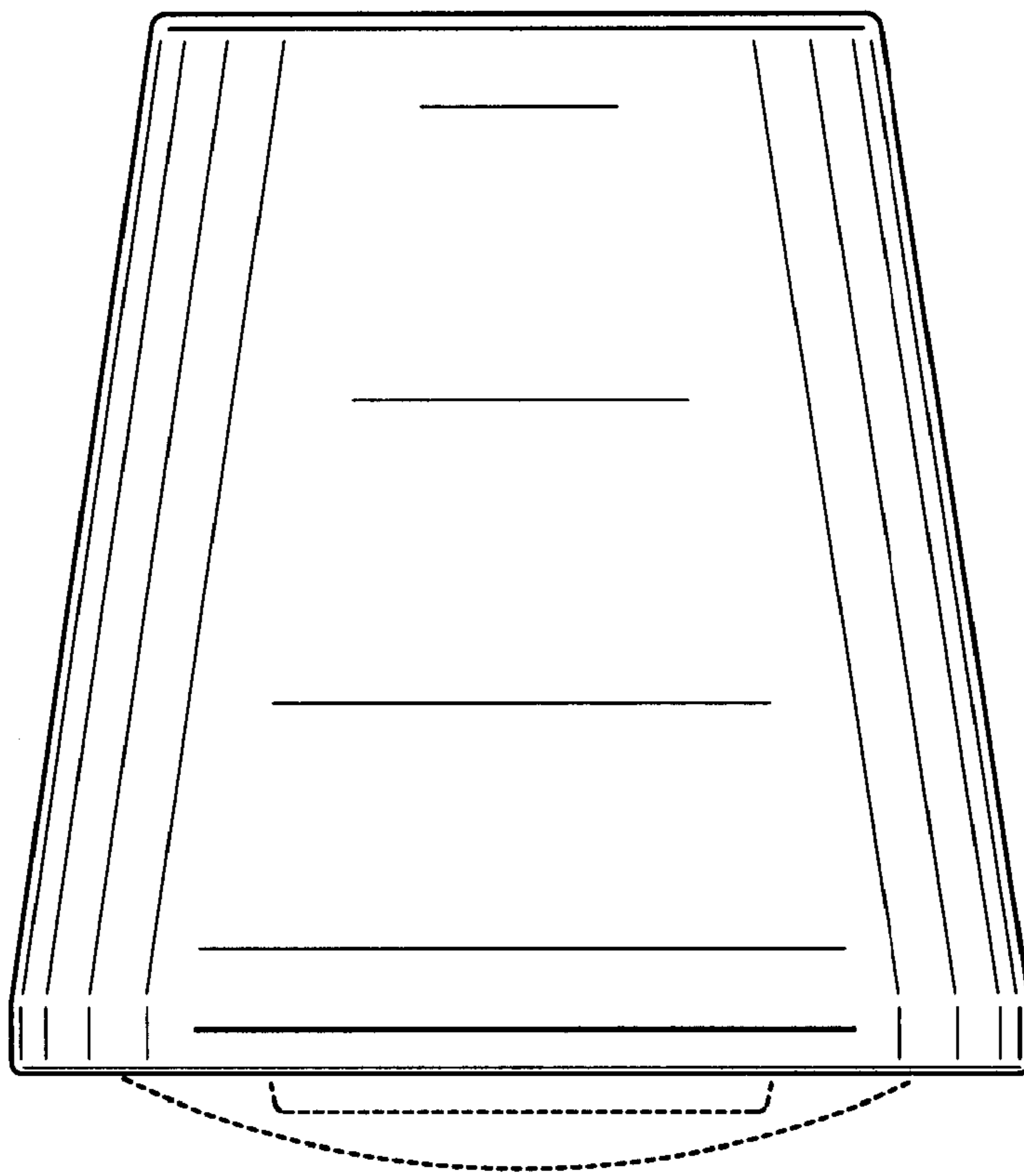


Fig.7

