



US00D534154S

(12) **United States Design Patent**
Shen

(10) **Patent No.:** **US D534,154 S**

(45) **Date of Patent:** **** Dec. 26, 2006**

(54) **WIRELESS RECEIVER WITH AMPLIFIER**

(75) Inventor: **Chun-Liang Shen, Ta Li (TW)**

(73) Assignee: **E-J Electronics Co., Ltd., Tai Li (TW)**

(**) Term: **14 Years**

(21) Appl. No.: **29/242,143**

(22) Filed: **Nov. 3, 2005**

(51) **LOC (8) Cl.** **14-02**

(52) **U.S. Cl.** **D14/188; D14/265**

(58) **Field of Classification Search** D14/188,
D14/216, 192-198, 265, 137, 496; 455/347-351,
455/403, 3.06; 369/1, 6-12

See application file for complete search history.

(56) **References Cited**

U.S. PATENT DOCUMENTS

3,860,755	A	*	1/1975	Kimbell et al.	381/109
4,676,619	A	*	6/1987	Woolley	396/432
5,119,430	A	*	6/1992	Peavey et al.	381/121
5,781,853	A	*	7/1998	Johnson	455/351
D400,533	S	*	11/1998	Xie	D14/188

D409,194 S * 5/1999 Ridinger D14/188

D478,564 S * 8/2003 Rizzi D14/188

D486,816 S * 2/2004 Nakajima et al. D14/169

D495,012 S * 8/2004 Morimoto D14/188

D506,460 S * 6/2005 Chan D14/188

D523,842 S * 6/2006 Hussaini et al. D14/188

* cited by examiner

Primary Examiner—Prabhakar Deshmukh

(74) *Attorney, Agent, or Firm*—Charles E. Baxley

(57) **CLAIM**

The ornamental design for a wireless receiver with amplifier, as shown and described.

DESCRIPTION

FIG. 1 is a perspective view of a wireless receiver with amplifier showing my new design;

FIG. 2 is a front elevational view thereof;

FIG. 3 is a rear elevational view thereof,

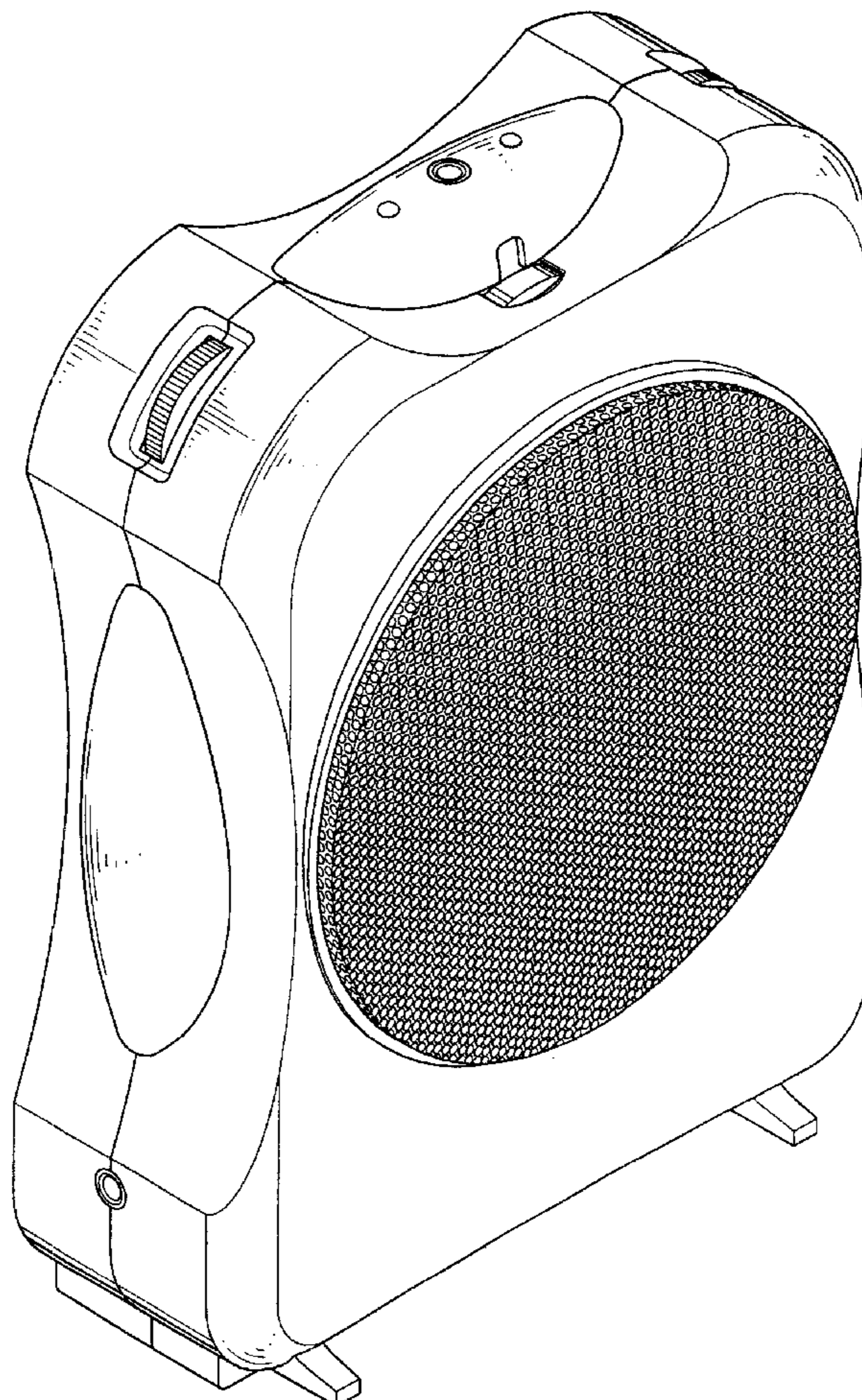
FIG. 4 is a left side elevational view thereof,

FIG. 5 is a right side elevational view thereof,

FIG. 6 is a top plan view thereof; and,

FIG. 7 is a bottom plan view thereof.

1 Claim, 7 Drawing Sheets



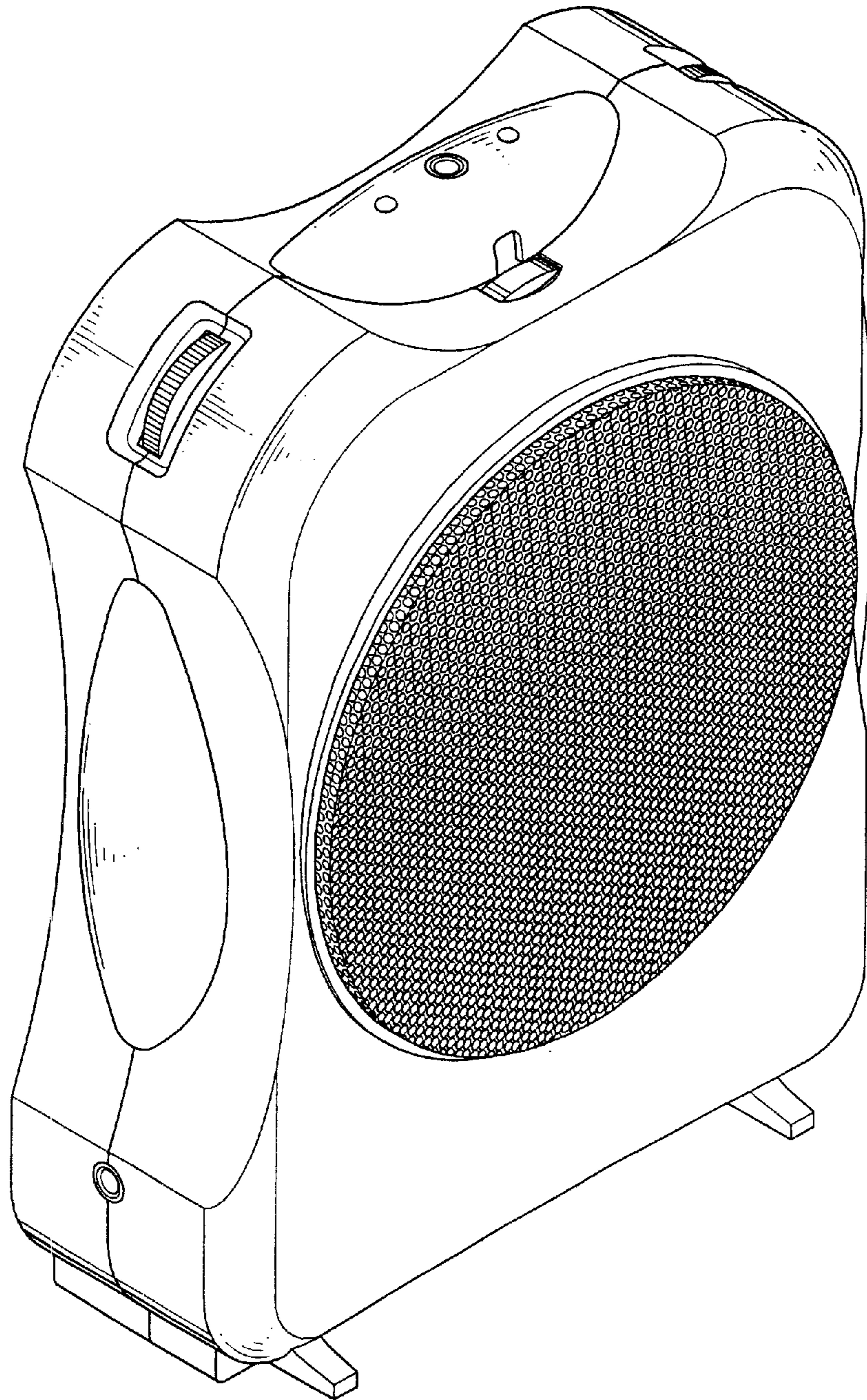


FIG. 1

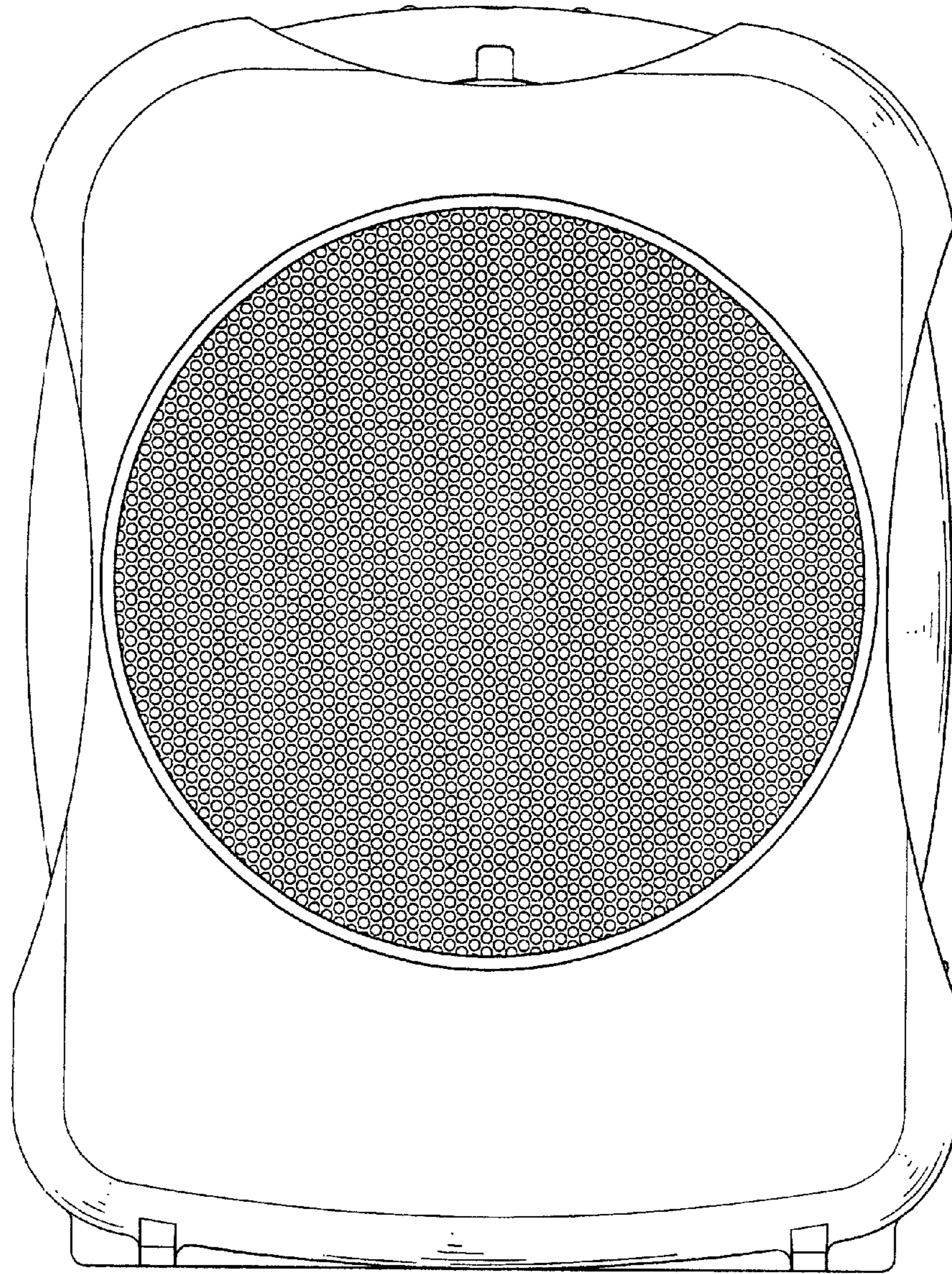


FIG. 2

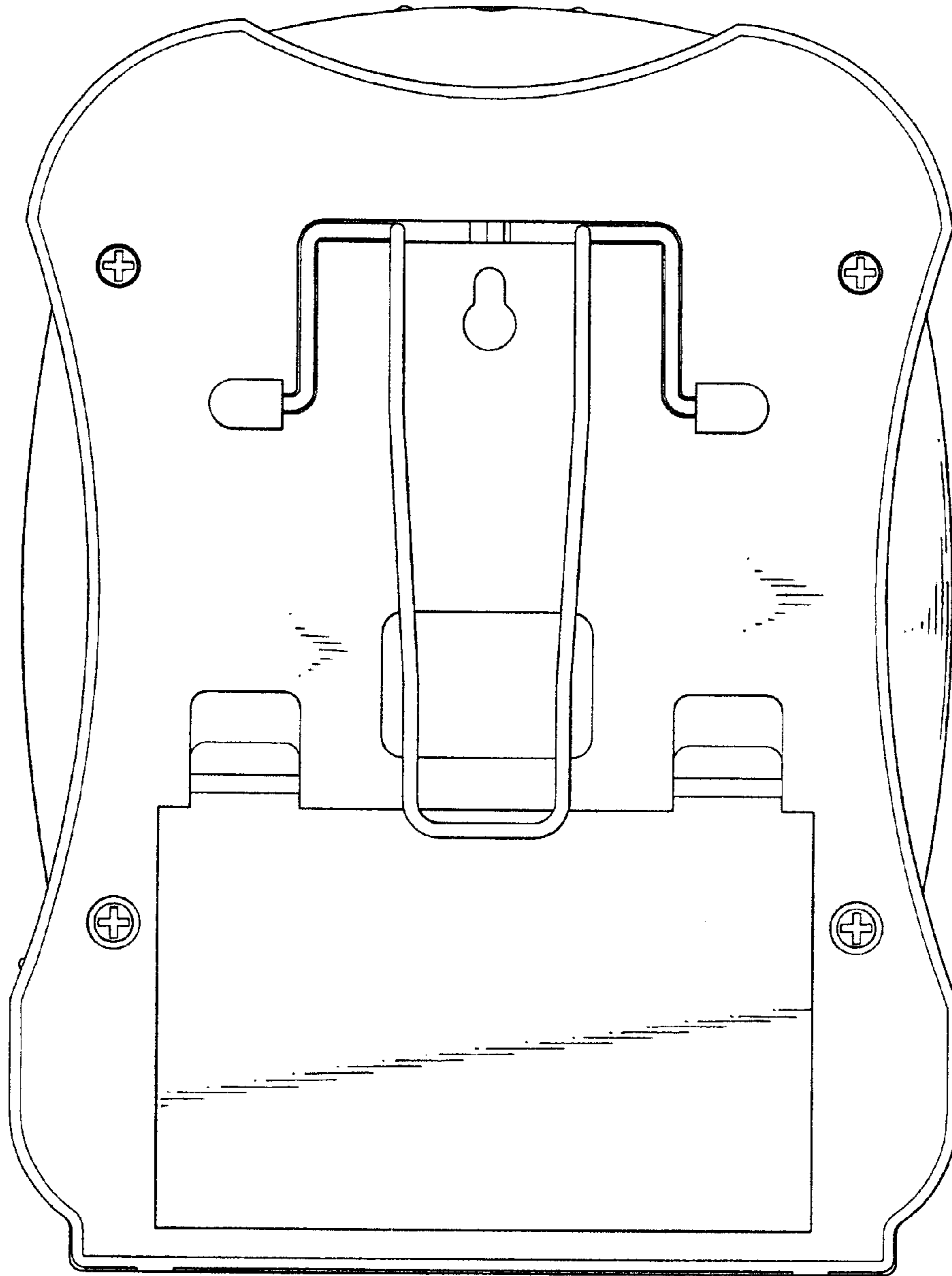


FIG. 3

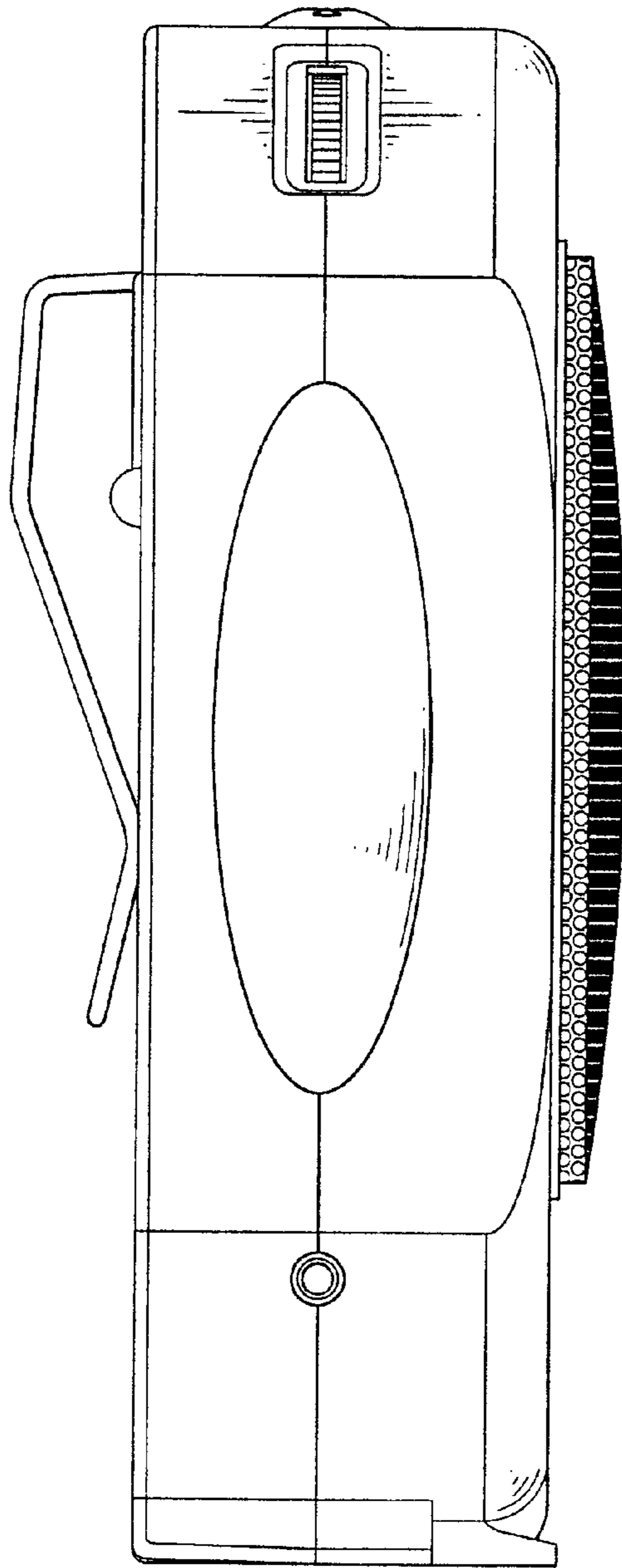


FIG. 4

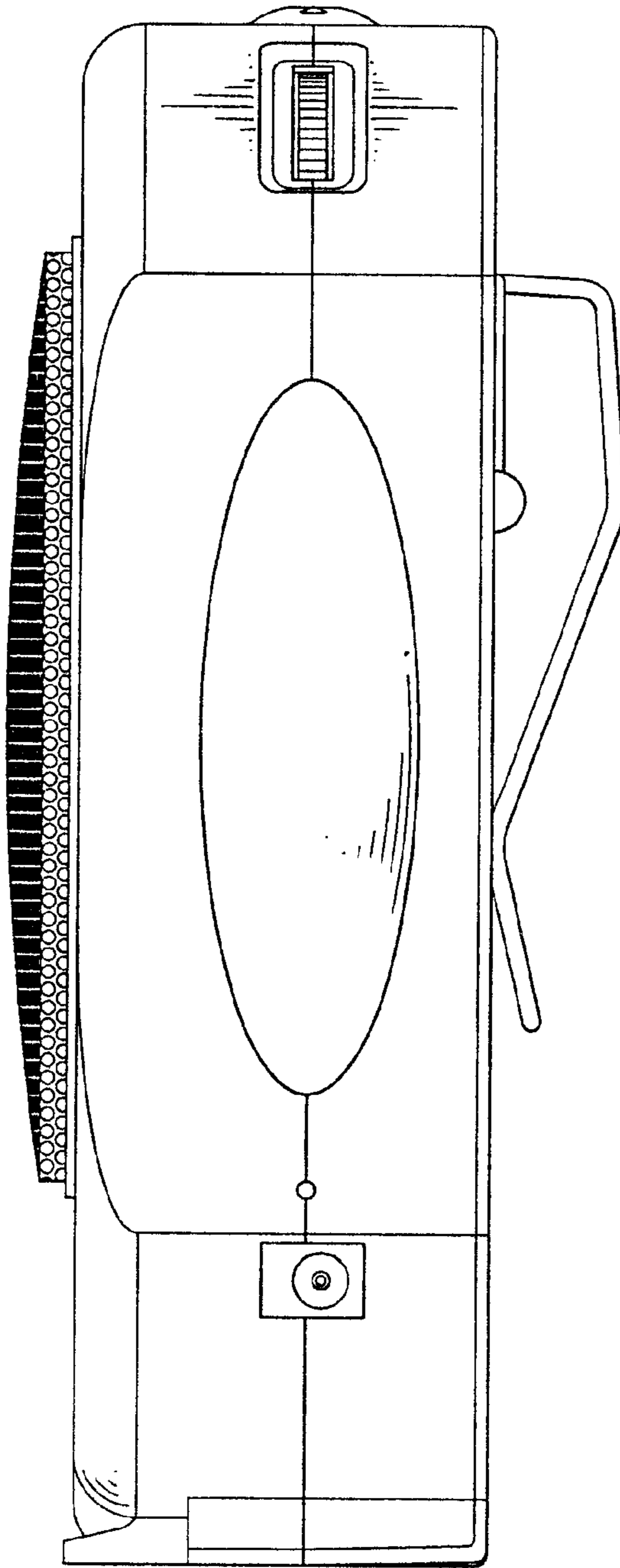


FIG. 5

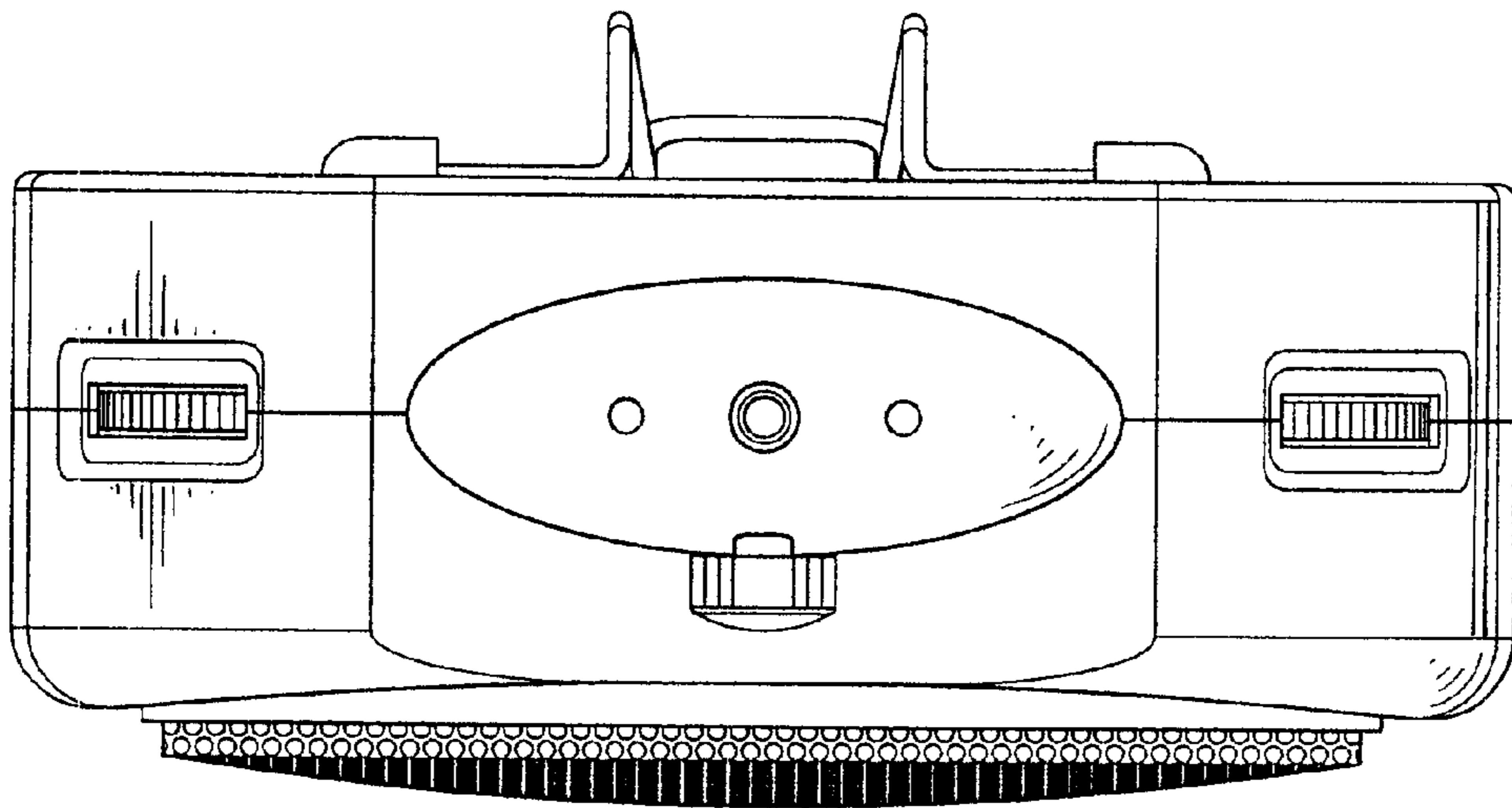


FIG. 6

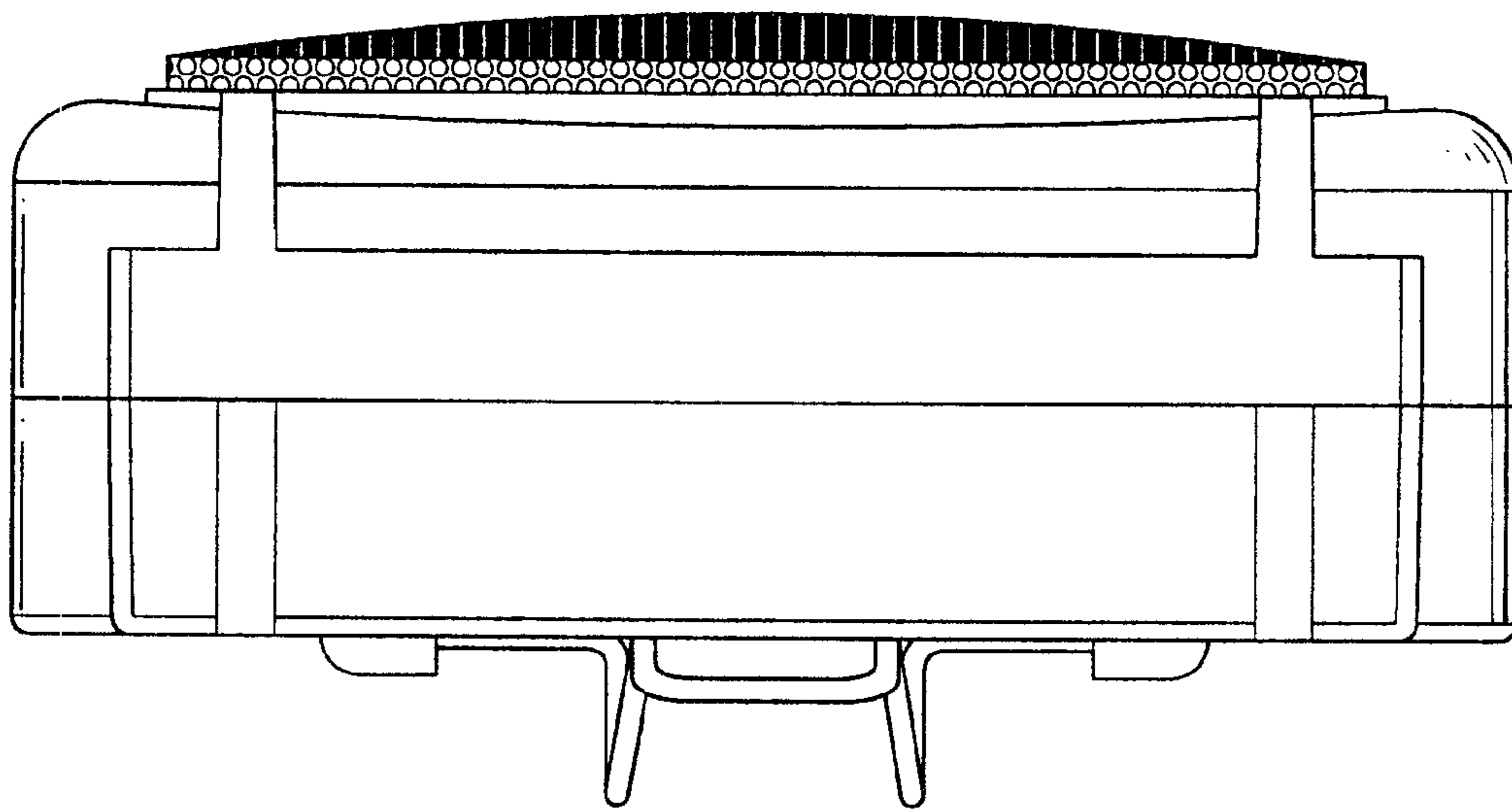


FIG. 7