



US00D534150S

(12) **United States Design Patent**
Griffin

(10) **Patent No.:** **US D534,150 S**

(45) **Date of Patent:** **** Dec. 26, 2006**

(54) **COMBINATION RADIO TRANSMITTER AND
AUTO CHARGER WHICH IS
CONNECTABLE TO AN ELECTRONIC
DEVICE FOR RECORDING, STORING AND
TRANSMITTING AUDIO FILES**

D493,779 S	*	8/2004	Lee	D14/156
D500,302 S	*	12/2004	Deguchi	D14/167
D506,209 S	*	6/2005	Leong	D14/496
D507,261 S	*	7/2005	Griffin	D14/226
D511,770 S	*	11/2005	Chung	D14/240
D517,042 S	*	3/2006	Byun et al.	D14/191

(76) Inventor: **Paul Griffin**, 2846 Polo Club Rd.,
Nashville, TN (US) 37221

* cited by examiner

(**) Term: **14 Years**

Primary Examiner—Cathron C. Brooks

Assistant Examiner—Austin Murphy

(74) *Attorney, Agent, or Firm*—Michael E. McKee

(21) Appl. No.: **29/252,137**

(57) **CLAIM**

(22) Filed: **Jan. 19, 2006**

The ornamental design for a combination radio transmitter and auto charger which is connectable to an electronic device for recording, storing and transmitting audio files, as shown and described.

(51) **LOC (8) Cl.** **14-03**

(52) **U.S. Cl.** **D14/155**

(58) **Field of Classification Search** D14/358,
D14/299, 248, 240, 218, 191, 188, 162, 155,
D14/137, 226; D13/168, 110, 144; D10/121,
D10/104, 106; 439/668; 455/353, 351
See application file for complete search history.

DESCRIPTION

(56) **References Cited**

U.S. PATENT DOCUMENTS

D167,828 S	*	9/1952	Florac	D14/194
D306,853 S	*	3/1990	Mayo et al.	D13/168
D338,465 S	*	8/1993	Hayasaka et al.	D14/191
D398,605 S	*	9/1998	Murray et al.	D14/137
D401,911 S	*	12/1998	Hwang	D13/168
D404,666 S	*	1/1999	Wrisley	D10/78
D450,313 S	*	11/2001	Koinuma	D14/218

FIG. 1 is a perspective view of the combination radio transmitter and auto charger which is connectable to an electronic device for recording, storing and transmitting audio files showing my new design;
FIG. 2 is a top view thereof;
FIG. 3 is a front elevational view thereof, the back elevational view being a mirror image;
FIG. 4 is a bottom view thereof; and,
FIG. 5 is a side elevational view thereof as seen from the left in FIG. 3, the side elevational view thereof as seen from the right in FIG. 3 being a mirror image.

1 Claim, 2 Drawing Sheets

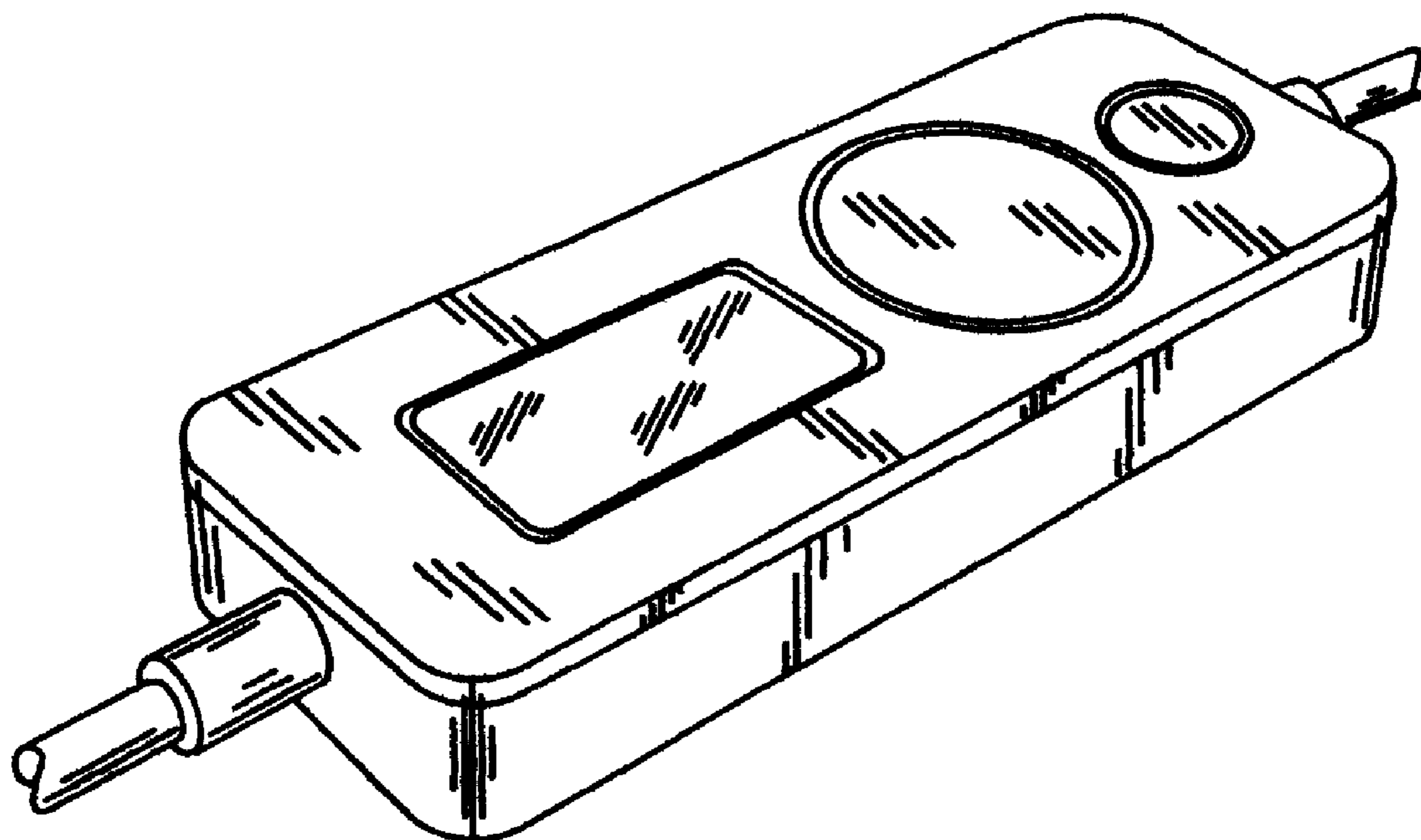


FIG. 1

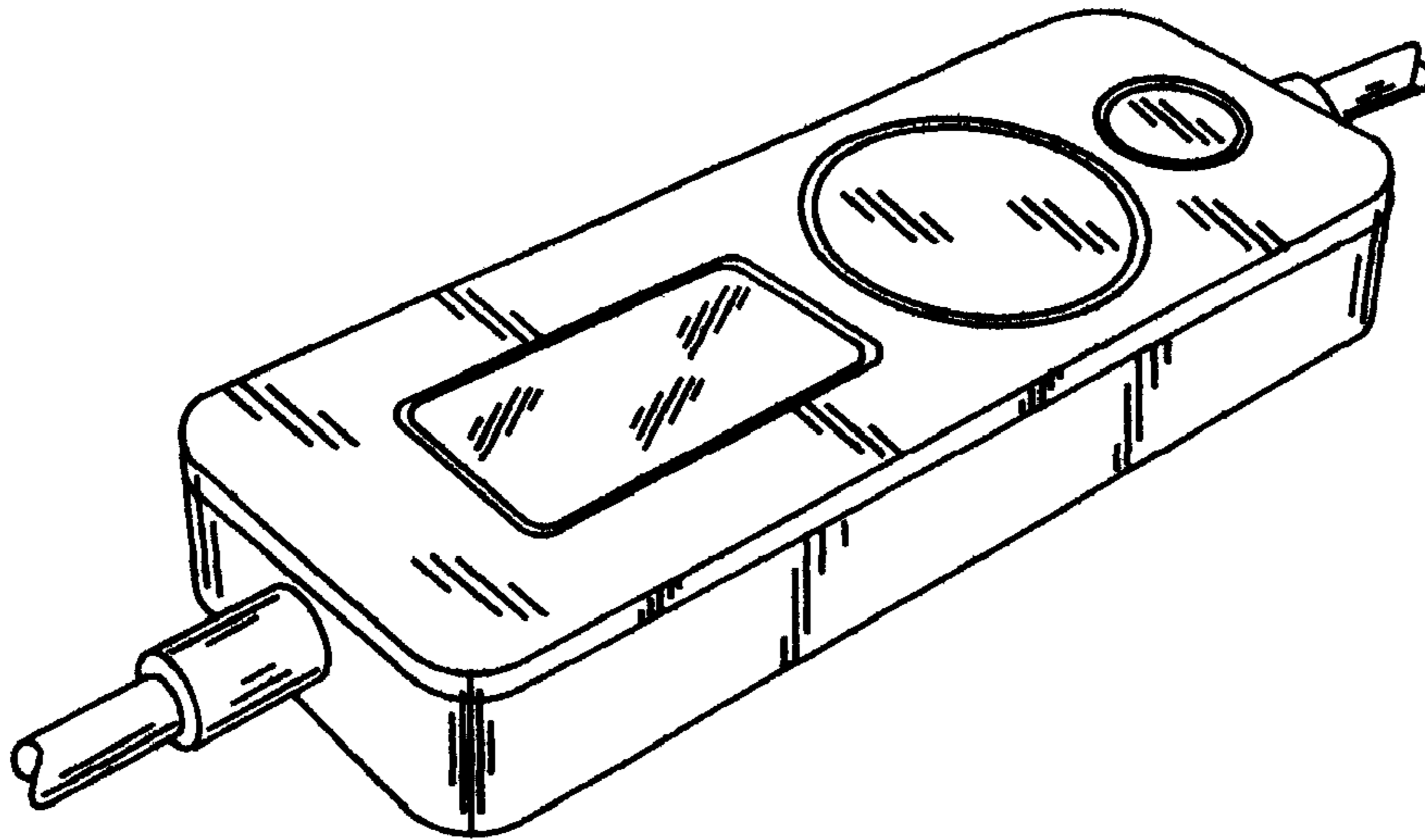


FIG. 2

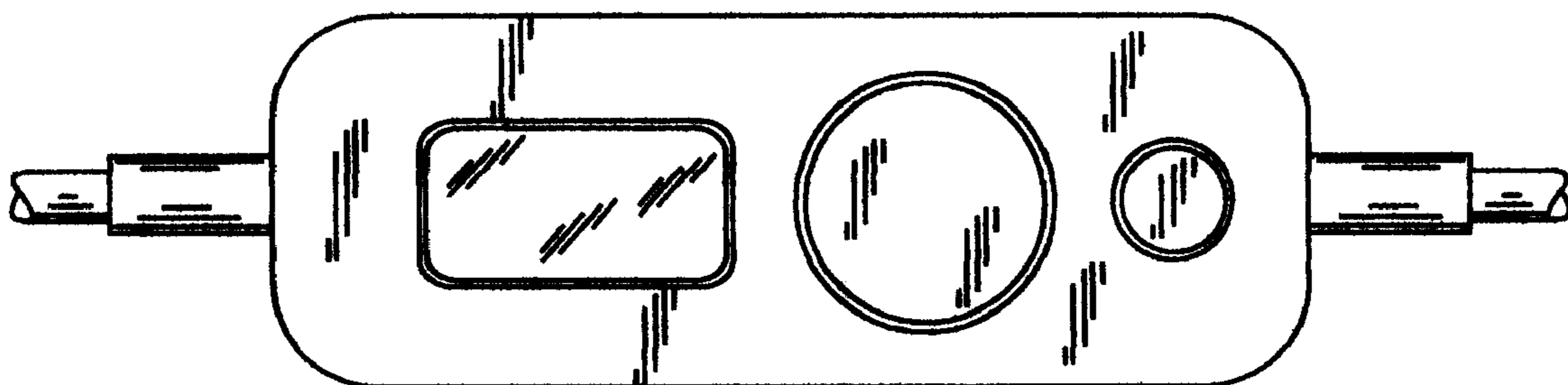


FIG. 3

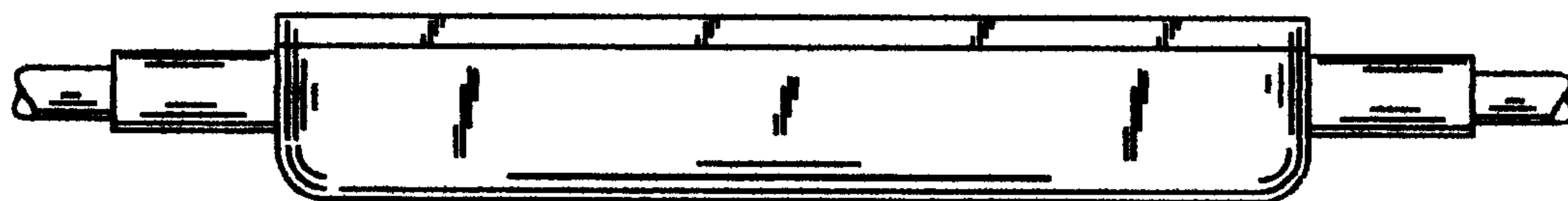


FIG. 4

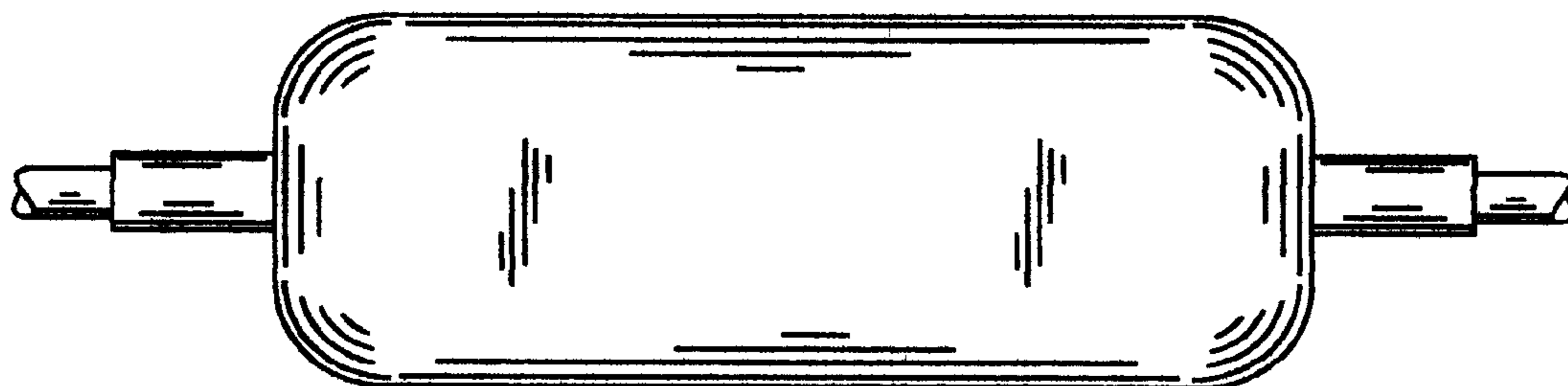


FIG. 5

