



US00D534149S

(12) **United States Design Patent**  
**Griffin**

(10) **Patent No.:** **US D534,149 S**

(45) **Date of Patent:** **\*\* Dec. 26, 2006**

(54) **RADIO TRANSMITTER WHICH IS CONNECTABLE TO A COMPUTER OR AN MP3 PLAYER DEVICE**

(76) Inventor: **Paul Griffin**, 2846 Polo Club Rd., Nashville, TN (US) 37221

(\*\*) Term: **14 Years**

(21) Appl. No.: **29/240,270**

(22) Filed: **Oct. 11, 2005**

(51) **LOC (8) Cl.** ..... **14-03**

(52) **U.S. Cl.** ..... **D14/155**

(58) **Field of Classification Search** ..... D14/358, D14/299, 248, 240, 218, 191, 188, 162, 155, D14/137, 226; D13/168, 110, 144; D10/121, D10/104, 106; 439/668; 455/353, 351  
See application file for complete search history.

(56) **References Cited**

**U.S. PATENT DOCUMENTS**

3,611,150	A	*	10/1971	Timm et al.	.....	455/351
D234,921	S	*	4/1975	Koster et al.	.....	D10/116
D251,268	S	*	3/1979	Zelina	.....	D26/42
D338,889	S	*	8/1993	Fuqua et al.	.....	D14/141.3
D344,151	S	*	2/1994	Yiu Kwong	.....	D26/42
D357,759	S	*	4/1995	Geissler	.....	D26/42
D372,996	S	*	8/1996	Geissler	.....	D26/42
D373,766	S	*	9/1996	Solomita et al.	.....	D14/141.2

D396,860	S	*	8/1998	Yasutomi	.....	D14/168
D415,442	S	*	10/1999	Ikeda	.....	D10/106
D417,165	S	*	11/1999	Takeda et al.	.....	D10/106
D489,701	S	*	5/2004	Griffin	.....	D14/155
D501,192	S	*	1/2005	Griffin	.....	D14/155
D507,261	S	*	7/2005	Griffin	.....	D14/226

\* cited by examiner

*Primary Examiner*—Cathron C. Brooks

*Assistant Examiner*—Austin Murphy

(74) *Attorney, Agent, or Firm*—Michael E. McKee

(57) **CLAIM**

The ornamental design for a radio transmitter which is connectable to a computer or an MP3 player device, as shown and described.

**DESCRIPTION**

FIG. 1 is a perspective view of a radio transmitter showing my new design;

FIG. 2 is top view thereof;

FIG. 3 is a bottom view thereof;

FIG. 4 is a front elevational view thereof;

FIG. 5 is a back elevational view thereof;

FIG. 6 is a side elevational view thereof as seen from the left in FIG. 4; and,

FIG. 7 is a side elevational view thereof as seen from the right in FIG. 4.

**1 Claim, 3 Drawing Sheets**

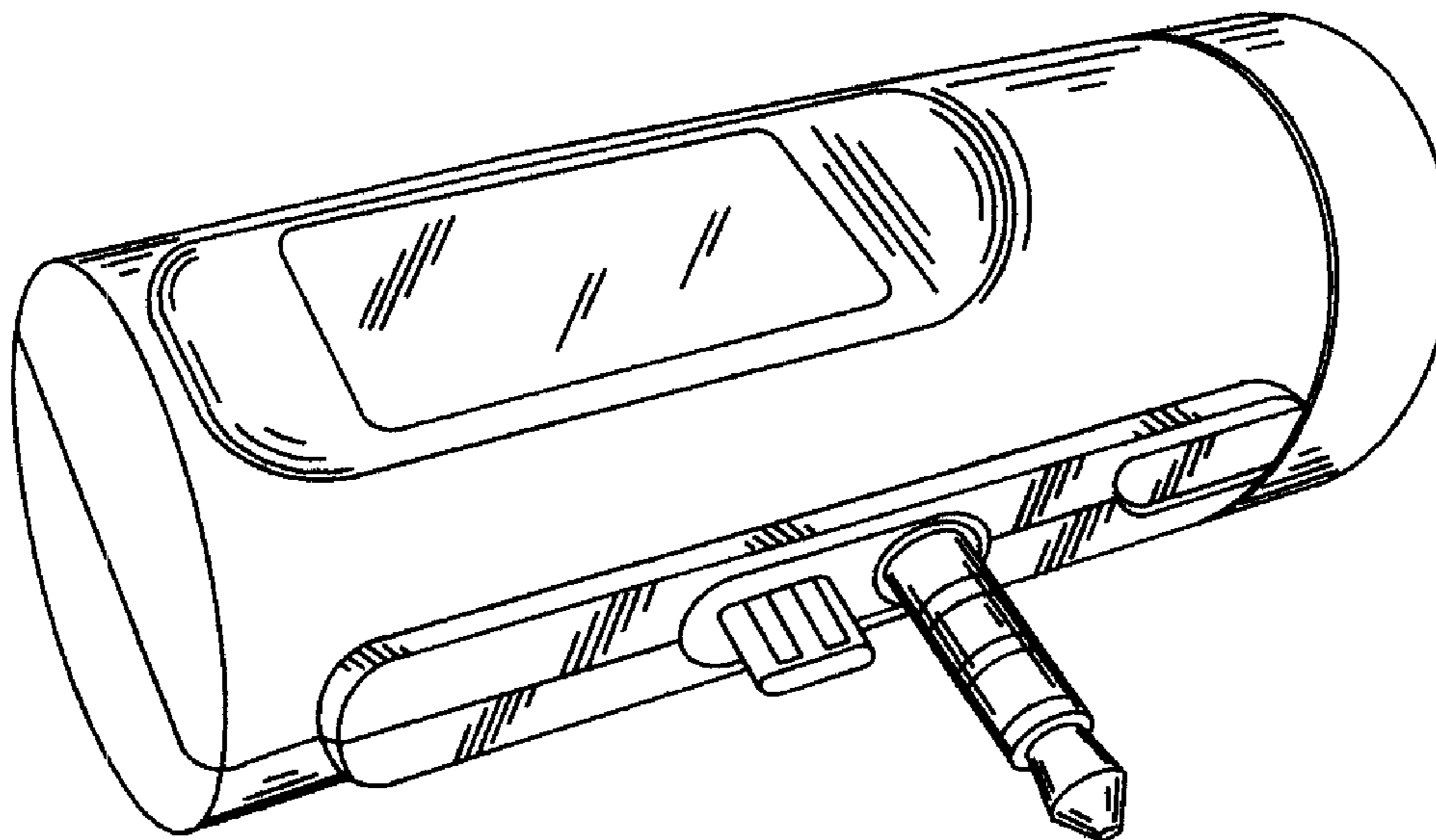


FIG. 1

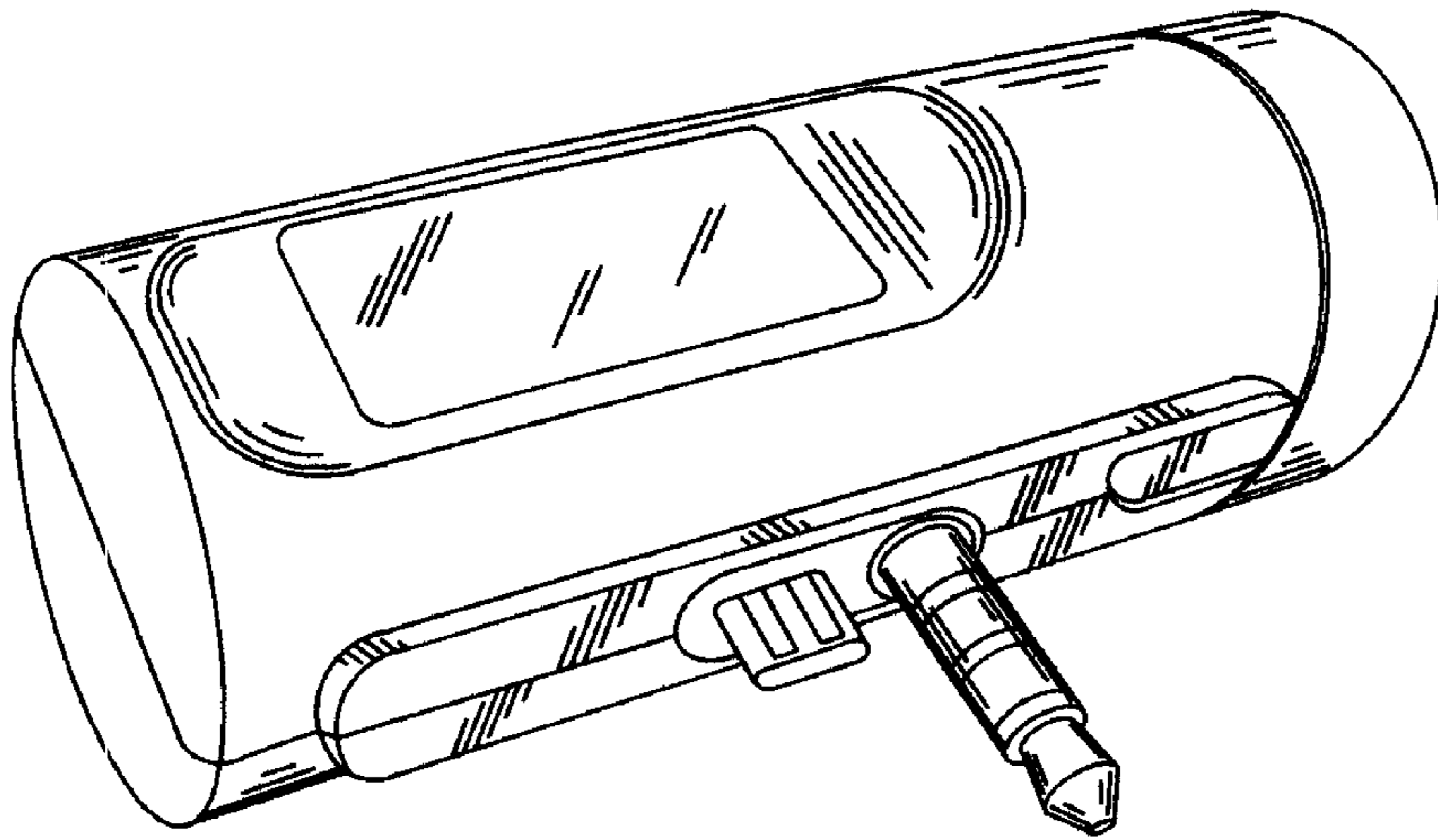


FIG. 2

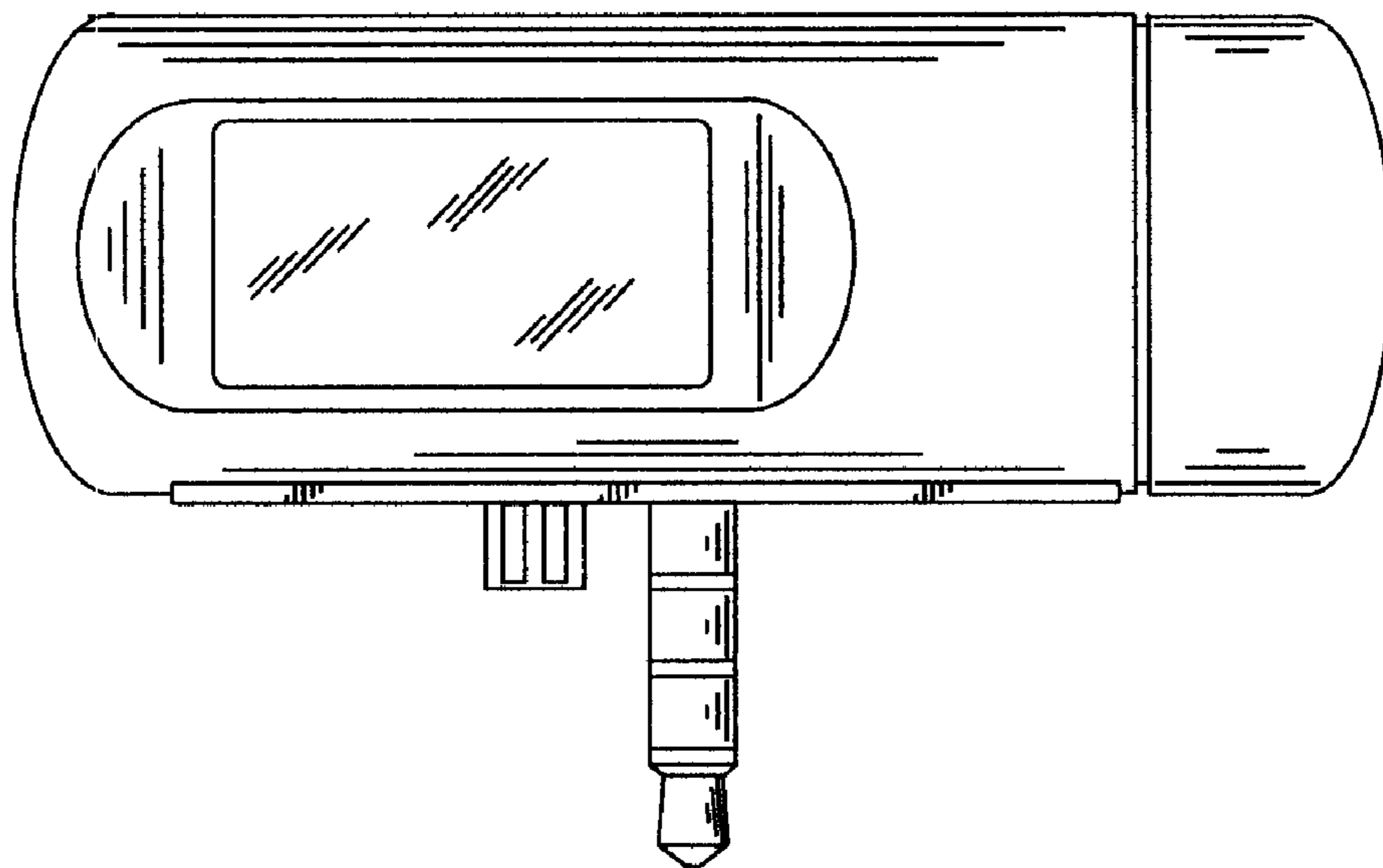


FIG. 3

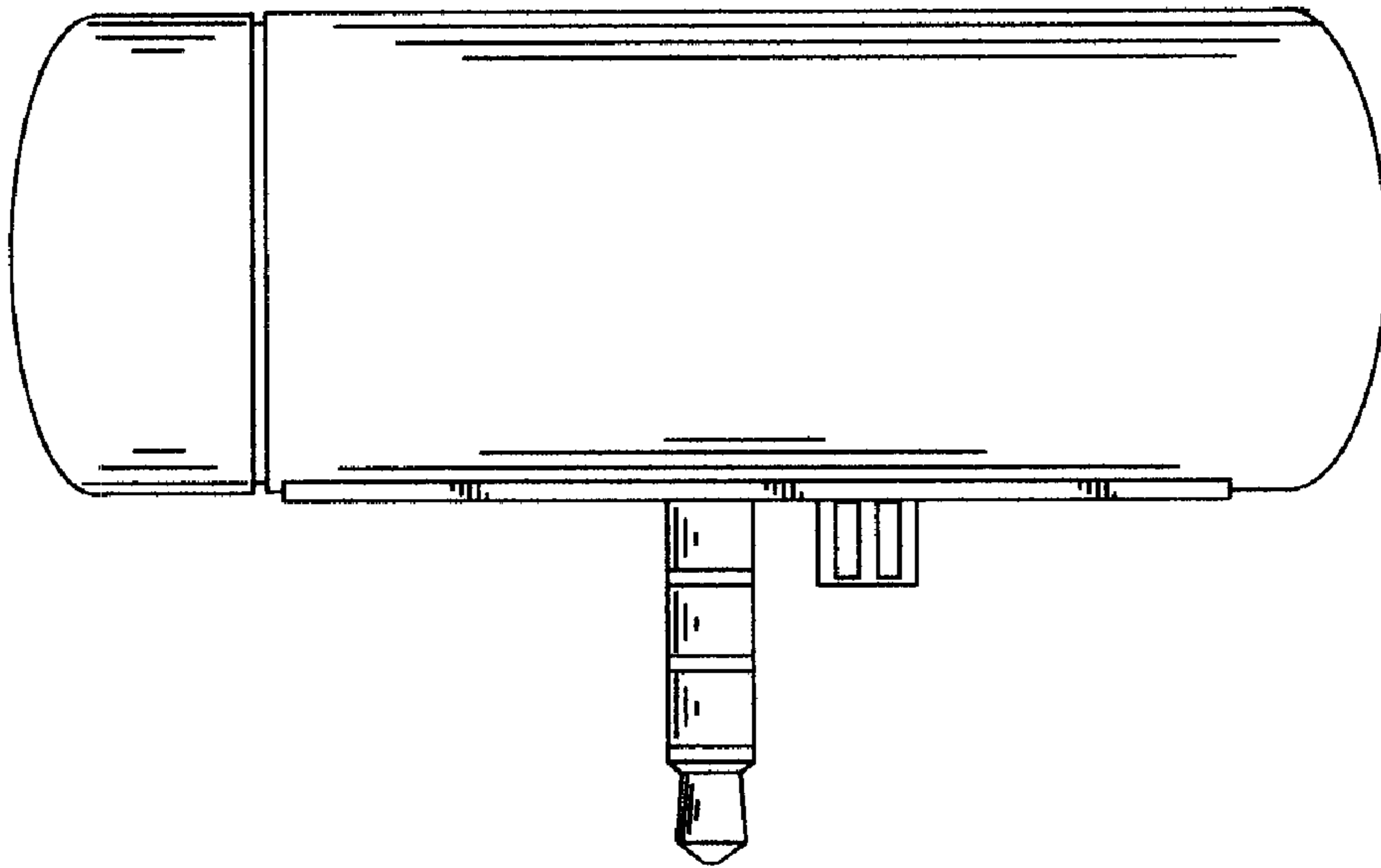


FIG. 4

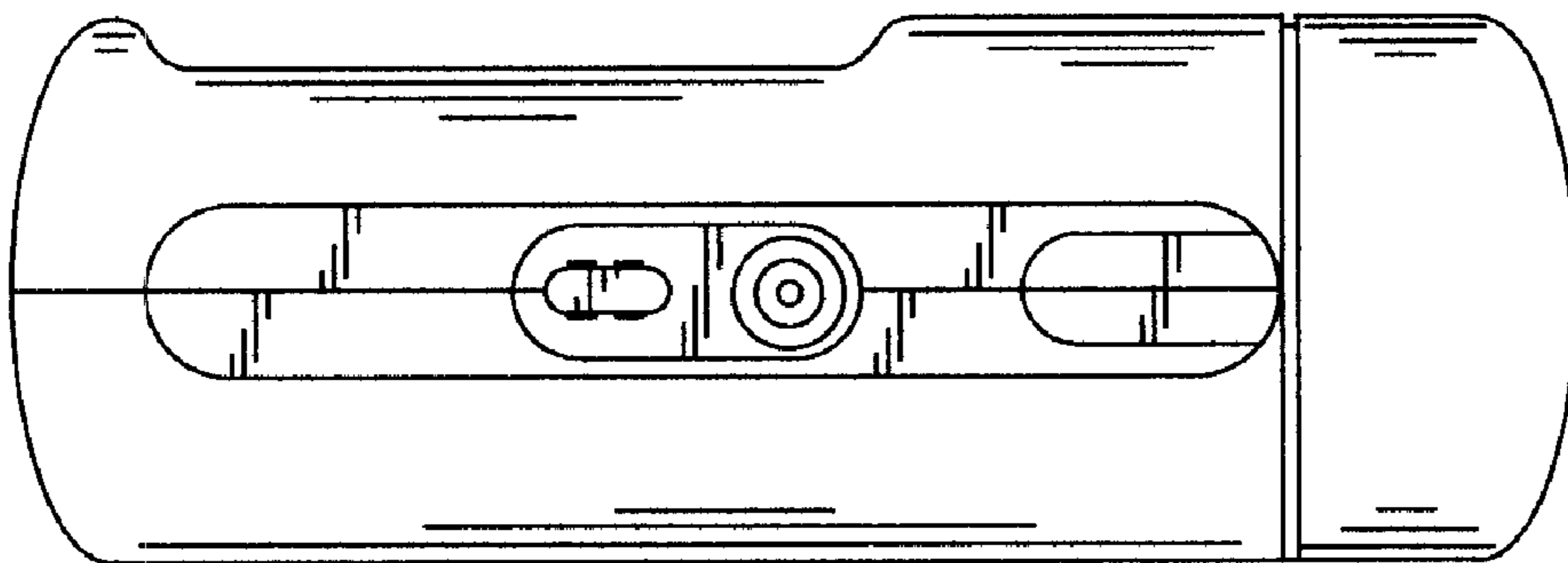


FIG. 5

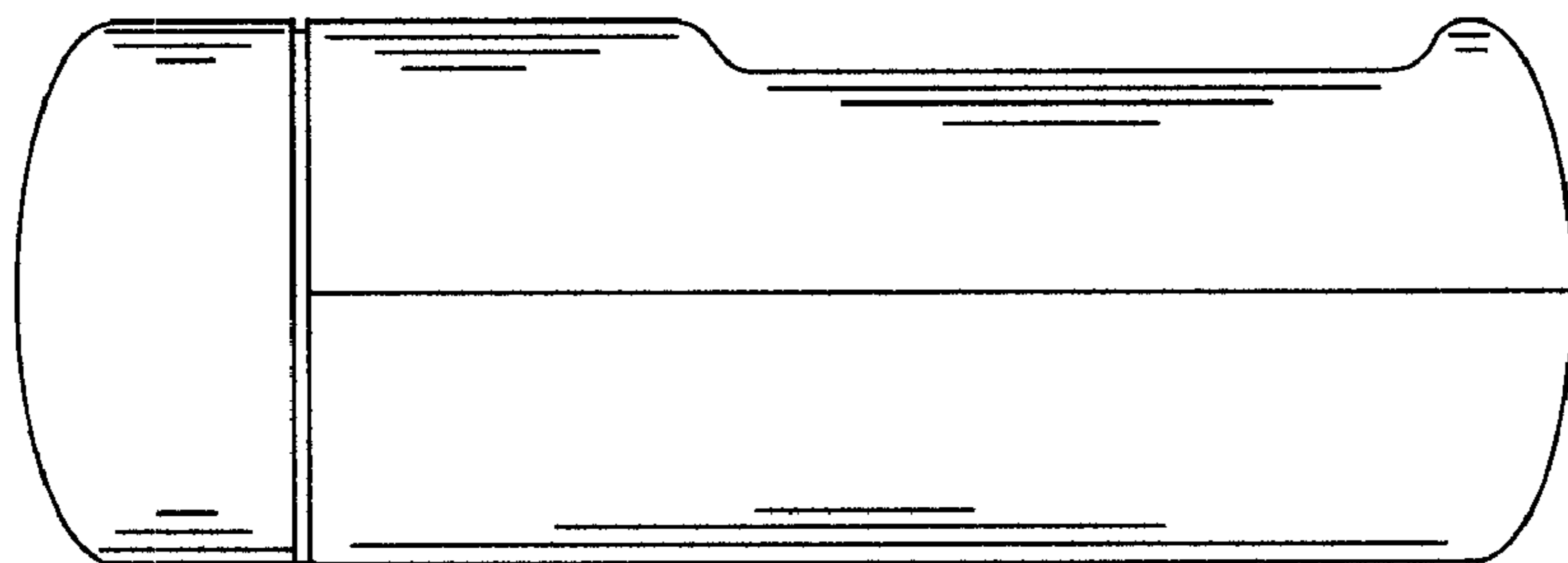


FIG. 6

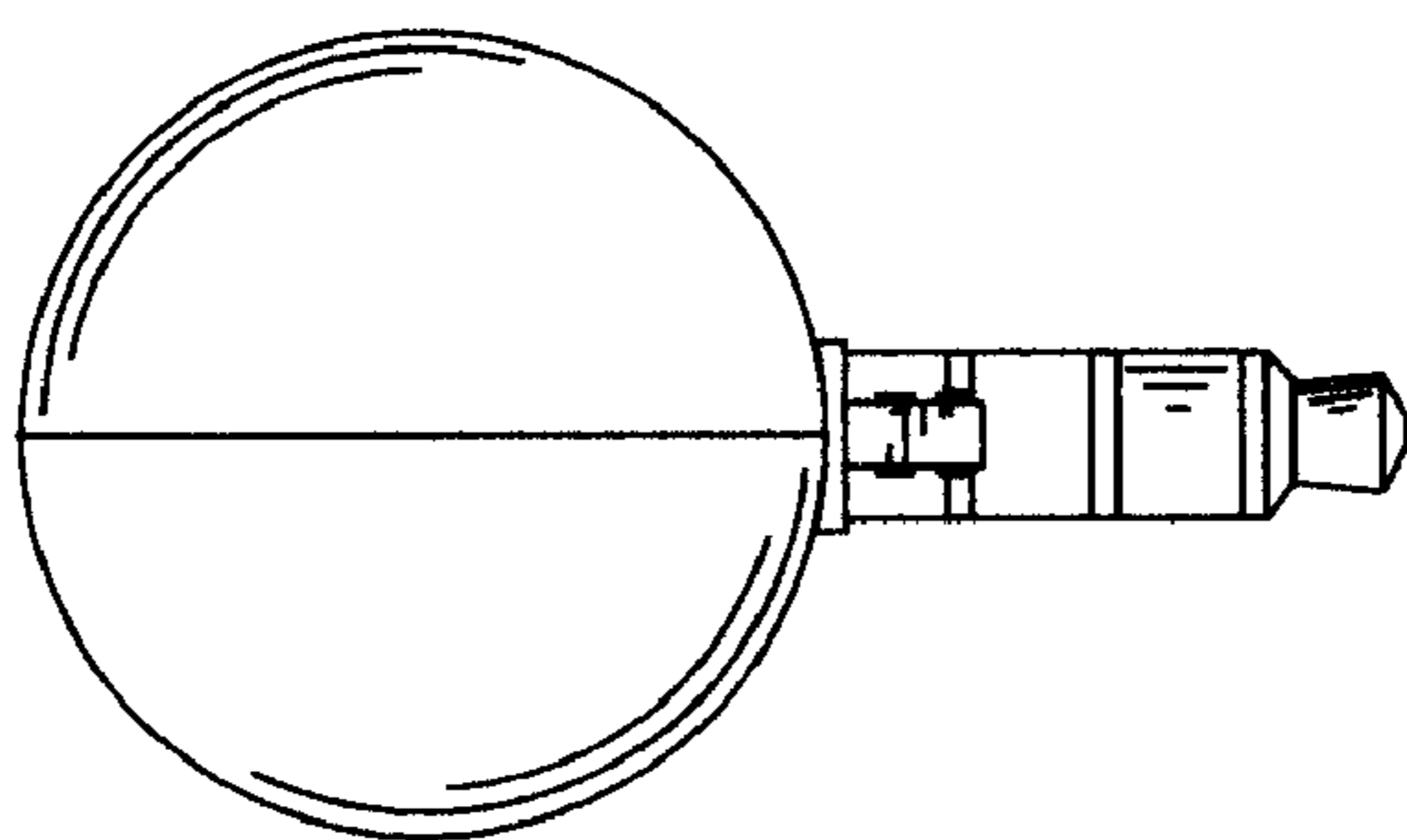


FIG. 7

