



US00D534148S

(12) **United States Design Patent**  
**Taylor et al.**

(10) **Patent No.:** **US D534,148 S**

(45) **Date of Patent:** **\*\* Dec. 26, 2006**

(54) **OBJECT LOCATOR DEVICE**

(76) Inventors: **Felicia L. Taylor**, 1405 W. 49th St.,  
North Little Rock, AR (US) 72118;  
**Keith Taylor**, 1405 W. 49th St., North  
Little Rock, AR (US) 72118

(\*\*) **Term:** **14 Years**

(21) **Appl. No.:** **29/223,574**

(22) **Filed:** **Feb. 17, 2005**

(51) **LOC (8) Cl.** ..... **14-03**

(52) **U.S. Cl.** ..... **D14/155**

(58) **Field of Classification Search** ..... D14/358,  
D14/299, 248, 240, 218, 191, 159, 188, 162,  
D14/155, 137, 257, 226; D13/168, 110, 144;  
D10/105, 121, 104, 106; 439/668; 455/353,  
455/351; 340/541, 540

See application file for complete search history.

(56) **References Cited**

**U.S. PATENT DOCUMENTS**

D281,401 S	*	11/1985	Perrins	.....	D10/75
4,694,284 A		9/1987	Leveille et al.		
D308,646 S	*	6/1990	Grilk	.....	D10/81
D329,620 S		9/1992	Salazar		
D331,573 S	*	12/1992	Iino	.....	D14/434
D345,314 S	*	3/1994	Chandra	.....	D10/106

5,523,740 A		6/1996	Burgmann		
D373,964 S	*	9/1996	Alexander	.....	D10/106
5,617,074 A		4/1997	White		
5,640,147 A		6/1997	Chek et al.		
D386,100 S	*	11/1997	Thibault	.....	D10/106
D394,656 S	*	5/1998	Kato et al.	.....	D14/159
5,923,255 A		7/1999	Vahdatshoar		
D432,504 S	*	10/2000	Matsumura	.....	D13/182
D433,645 S	*	11/2000	Hanson	.....	D10/106
6,313,733 B1		11/2001	Kyte		
D463,414 S	*	9/2002	Gao	.....	D14/240
D476,977 S	*	7/2003	Gao et al.	.....	D14/240

\* cited by examiner

*Primary Examiner*—Cathron C. Brooks

*Assistant Examiner*—Austin Murphy

(57) **CLAIM**

The ornamental design for an object locator device, as shown and described.

**DESCRIPTION**

FIG. 1 is a top plan view of an object locator device showing my new design;

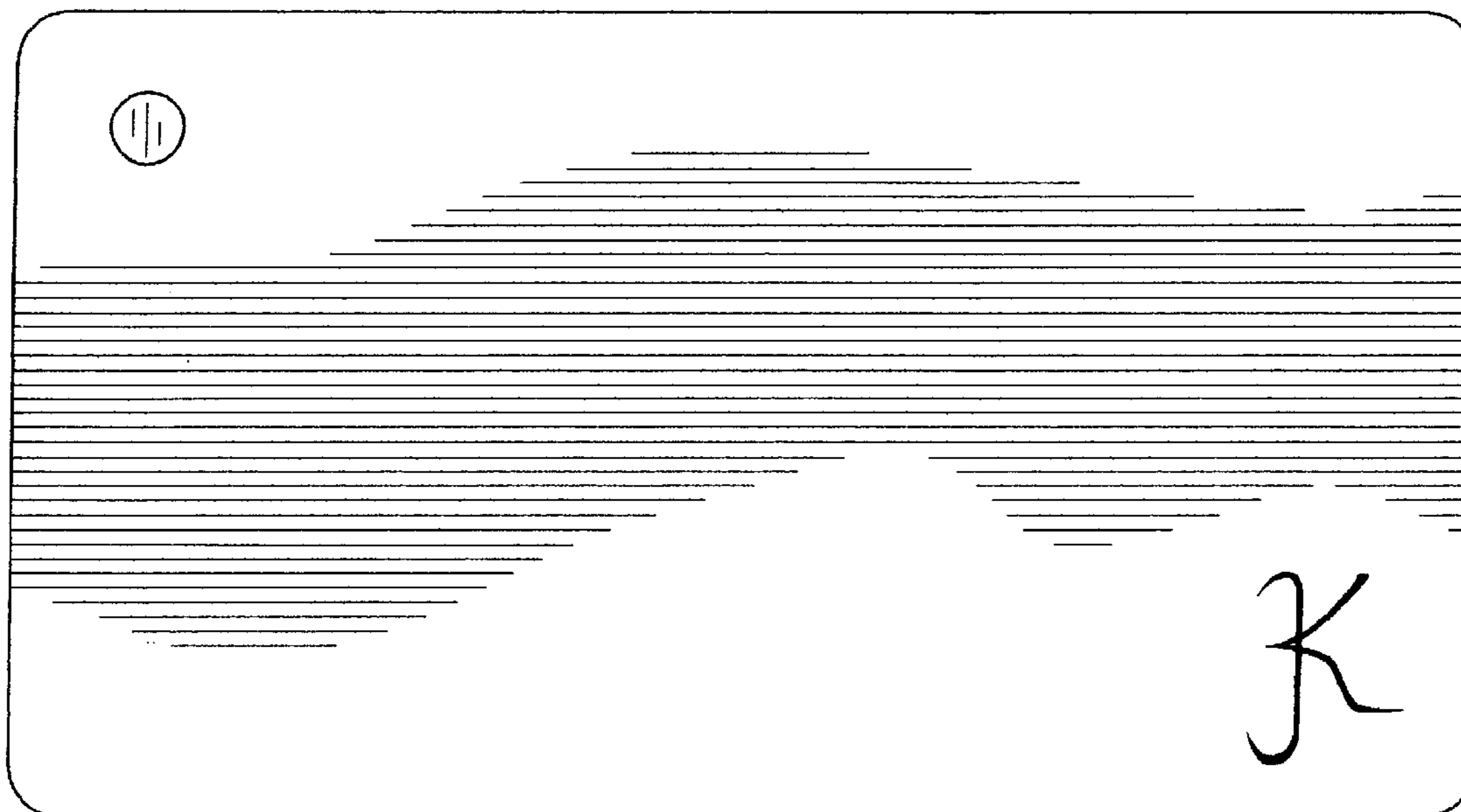
FIG. 2 is a bottom plan view thereof;

FIG. 3 is a left side elevational view thereof;

FIG. 4 is a right side elevational view thereof; and,

FIG. 5 is a rear elevational view thereof.

**1 Claim, 3 Drawing Sheets**



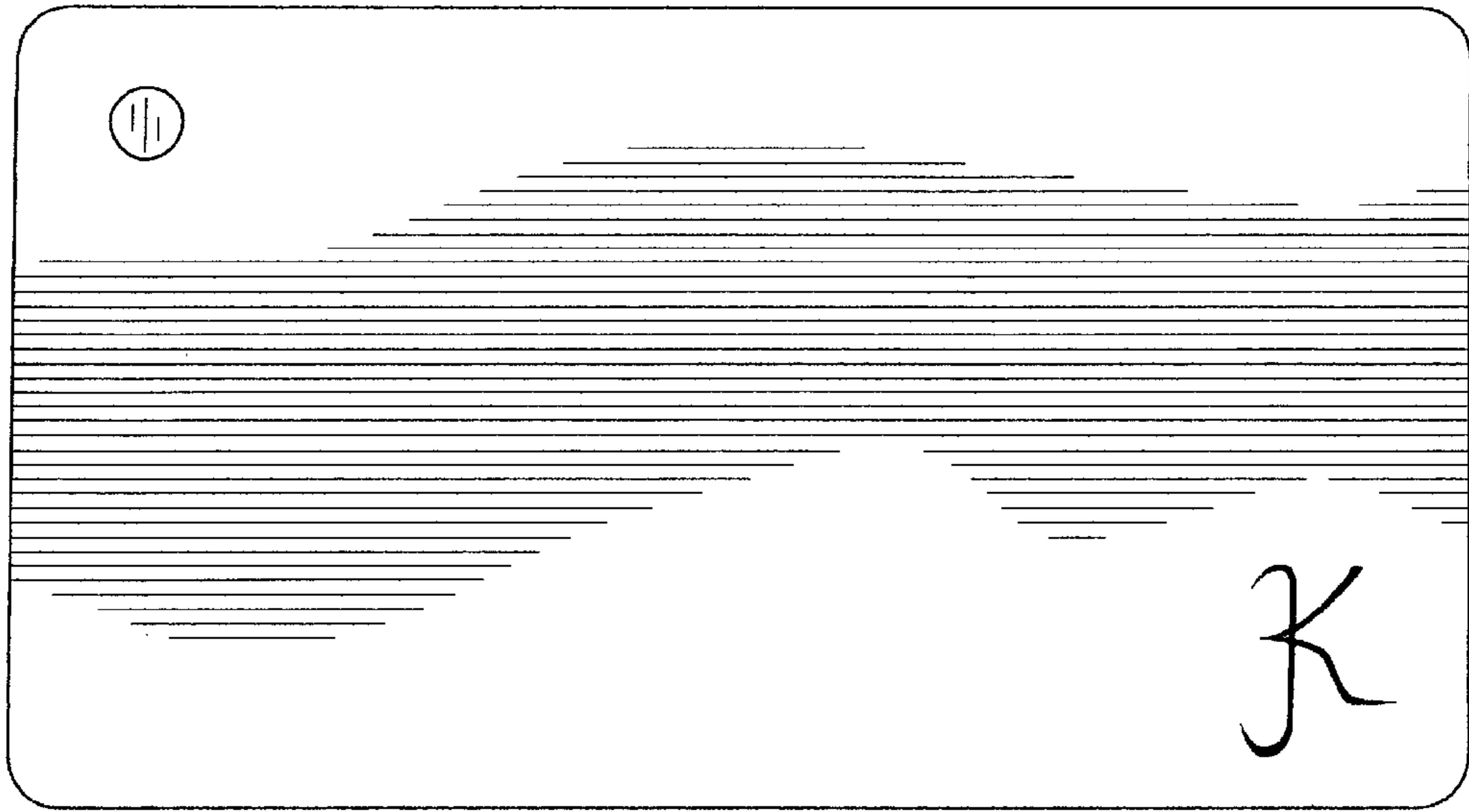


FIG. 1

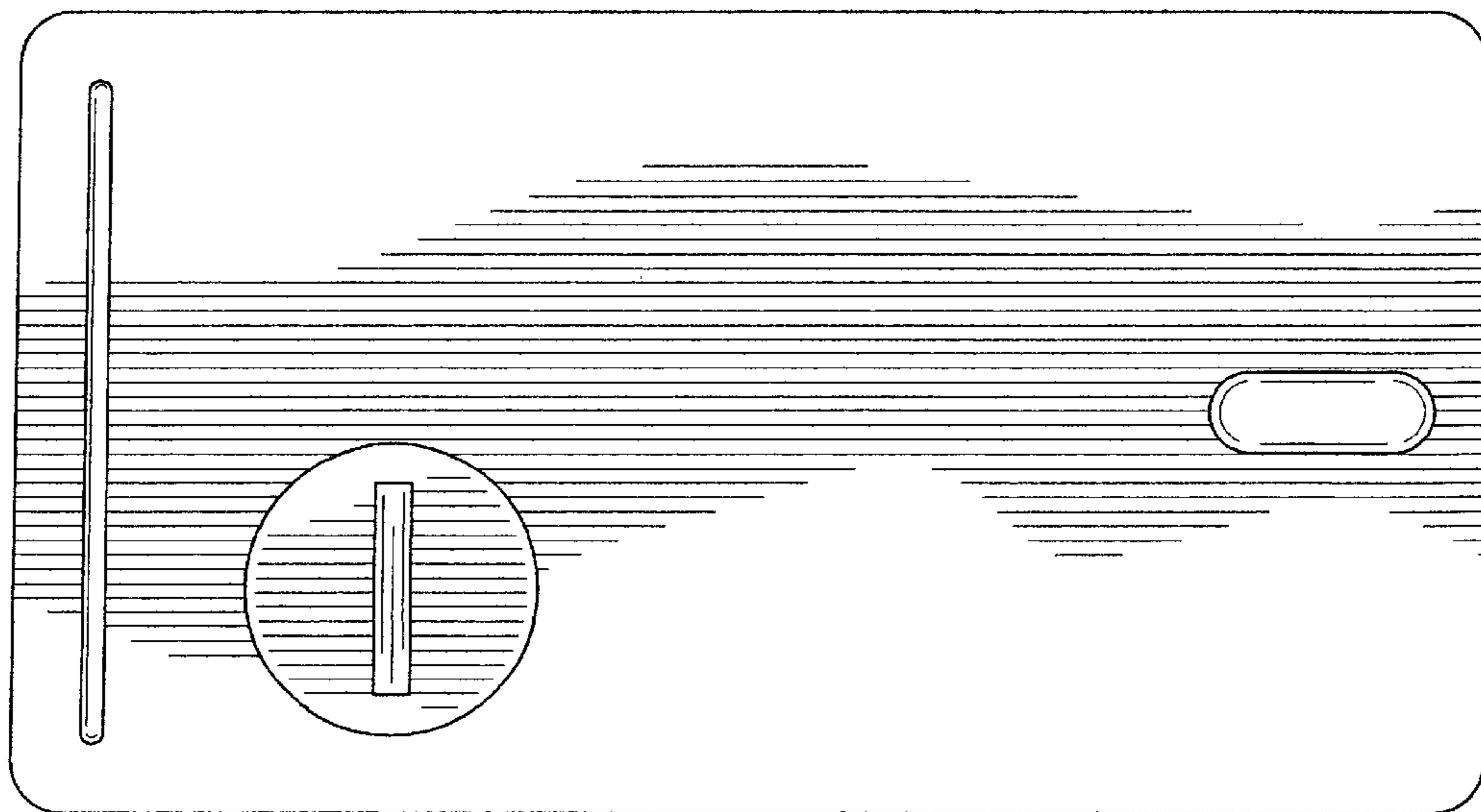


FIG. 2

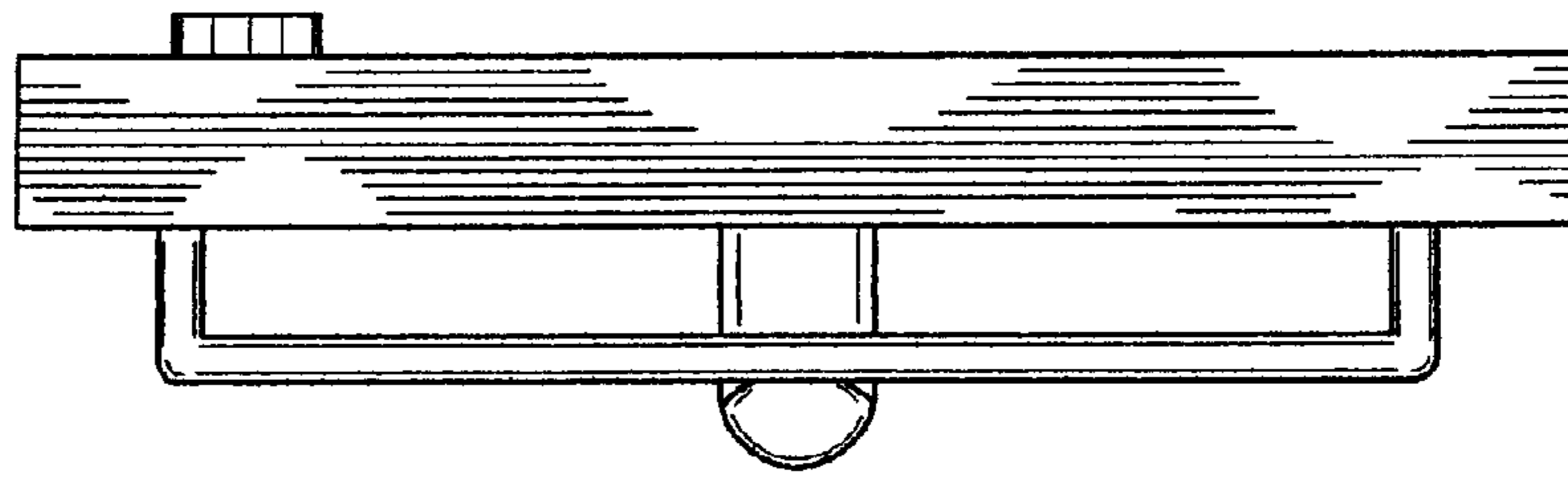


FIG. 4

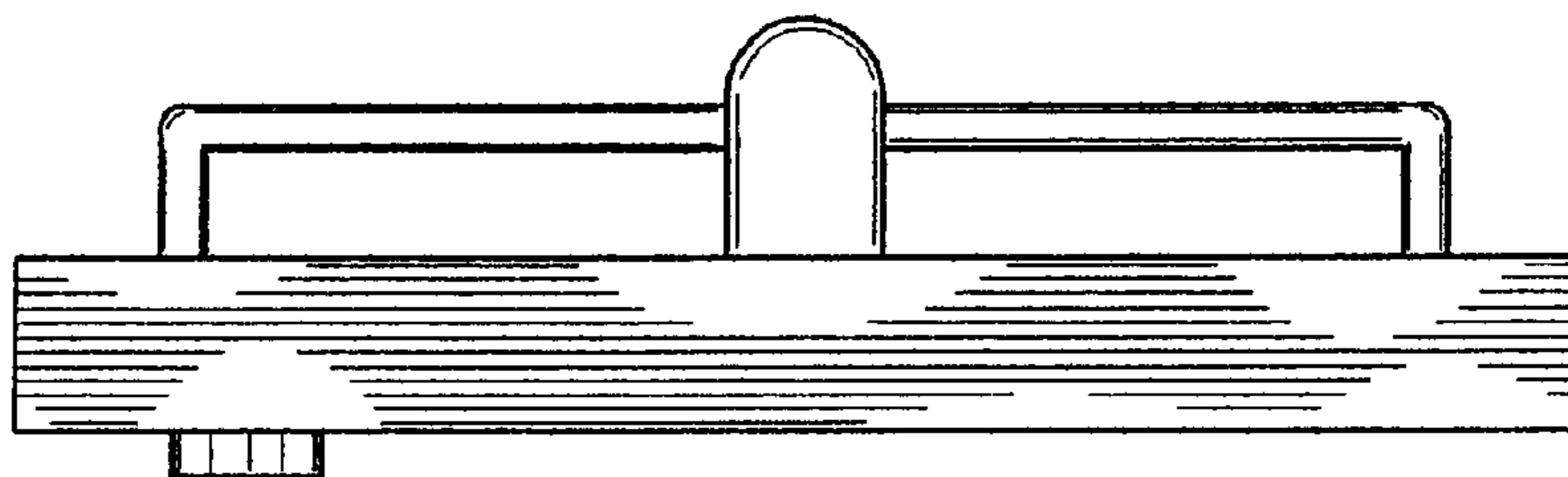


FIG. 3

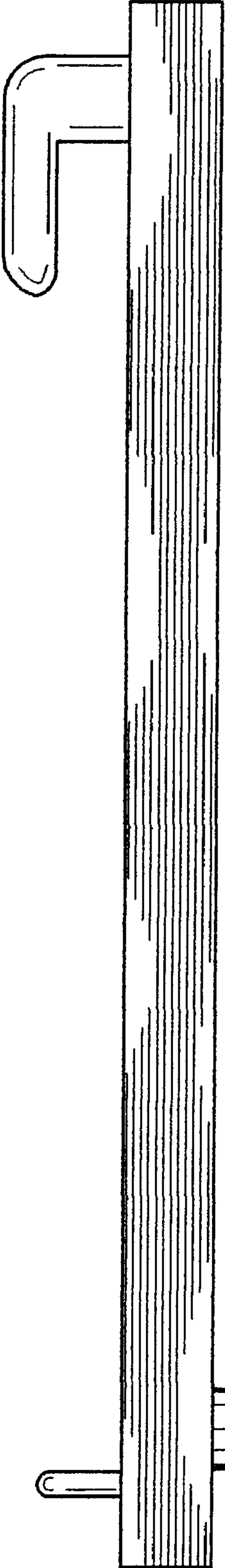


FIG. 5