



US00D534139S

(12) **United States Design Patent**
Yokota

(10) **Patent No.:** **US D534,139 S**

(45) **Date of Patent:** **** Dec. 26, 2006**

(54) **TELEVISION RECEIVER**

(75) Inventor: **Hiroaki Yokota**, Tokyo (JP)

(73) Assignee: **Sony Corporation**, Tokyo (JP)

(**) Term: **14 Years**

(21) Appl. No.: **29/223,130**

(22) Filed: **Feb. 10, 2005**

(51) **LOC (8) Cl.** **14-03**

(52) **U.S. Cl.** **D14/126**

(58) **Field of Classification Search** D14/125-135,
D14/239, 379, 371, 374, 375, 376, 113; D13/151,
D13/153; 312/7.2; 348/836, 838, 180, 184,
348/325, 739; 341/12; 248/917-924; 345/104,
345/133, 156, 168, 87, 173; 349/1, 2, 11,
349/62

See application file for complete search history.

(56) **References Cited**

U.S. PATENT DOCUMENTS

D448,769 S	*	10/2001	Jung	D14/374
D457,864 S	*	5/2002	Bong et al.	D14/126
D458,604 S	*	6/2002	Ma et al.	D14/375
D460,425 S	*	7/2002	Joe	D14/126
D461,460 S	*	8/2002	Park	D14/126
D474,162 S		5/2003	Kubota		
D474,452 S	*	5/2003	Kanatani	D14/126
D481,022 S	*	10/2003	Inoue et al.	D14/126
D483,020 S	*	12/2003	Nagao et al.	D14/126
D491,541 S		6/2004	Kubota		

D494,163 S		8/2004	Ishii		
D509,198 S	*	9/2005	Ahn	D14/126
D510,919 S	*	10/2005	Kubota et al.	D14/126

FOREIGN PATENT DOCUMENTS

JP	D1220608 S	10/2004
JP	D1235516 S	4/2005

OTHER PUBLICATIONS

Web page "KDL-L26RX2" <http://www.ecat.sony.co.jp/visual/tv/products/index.cfm?PD=16391&KM=KDL-L26RX2>, 1sheet, Sony (Nov. 2004).

* cited by examiner

Primary Examiner—Philip Hyder

Assistant Examiner—Randall H. Gholson

(74) *Attorney, Agent, or Firm*—Rader, Fishman & Grauer PLLC

(57) **CLAIM**

The ornamental design for a television receiver, as shown.

DESCRIPTION

FIG. 1 is a perspective view of a television receiver showing my new design; and

FIG. 2 is a front elevational view thereof.

FIG. 3 is a rear elevational view thereof;

FIG. 4 is a left side elevational view thereof;

FIG. 5 is a right side elevational view thereof;

FIG. 6 is a top plan view thereof; and,

FIG. 7 is a bottom plan view thereof.

1 Claim, 5 Drawing Sheets

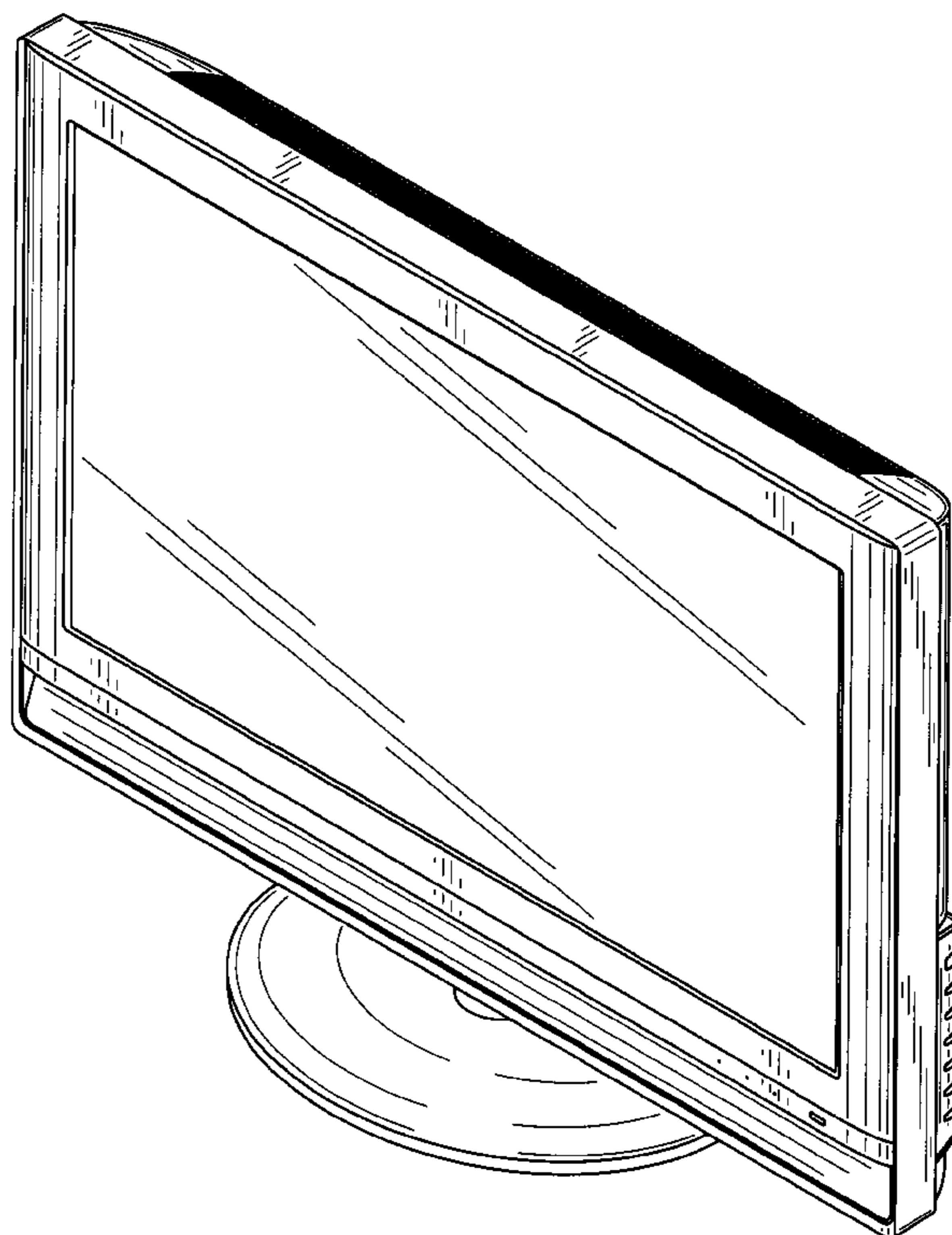
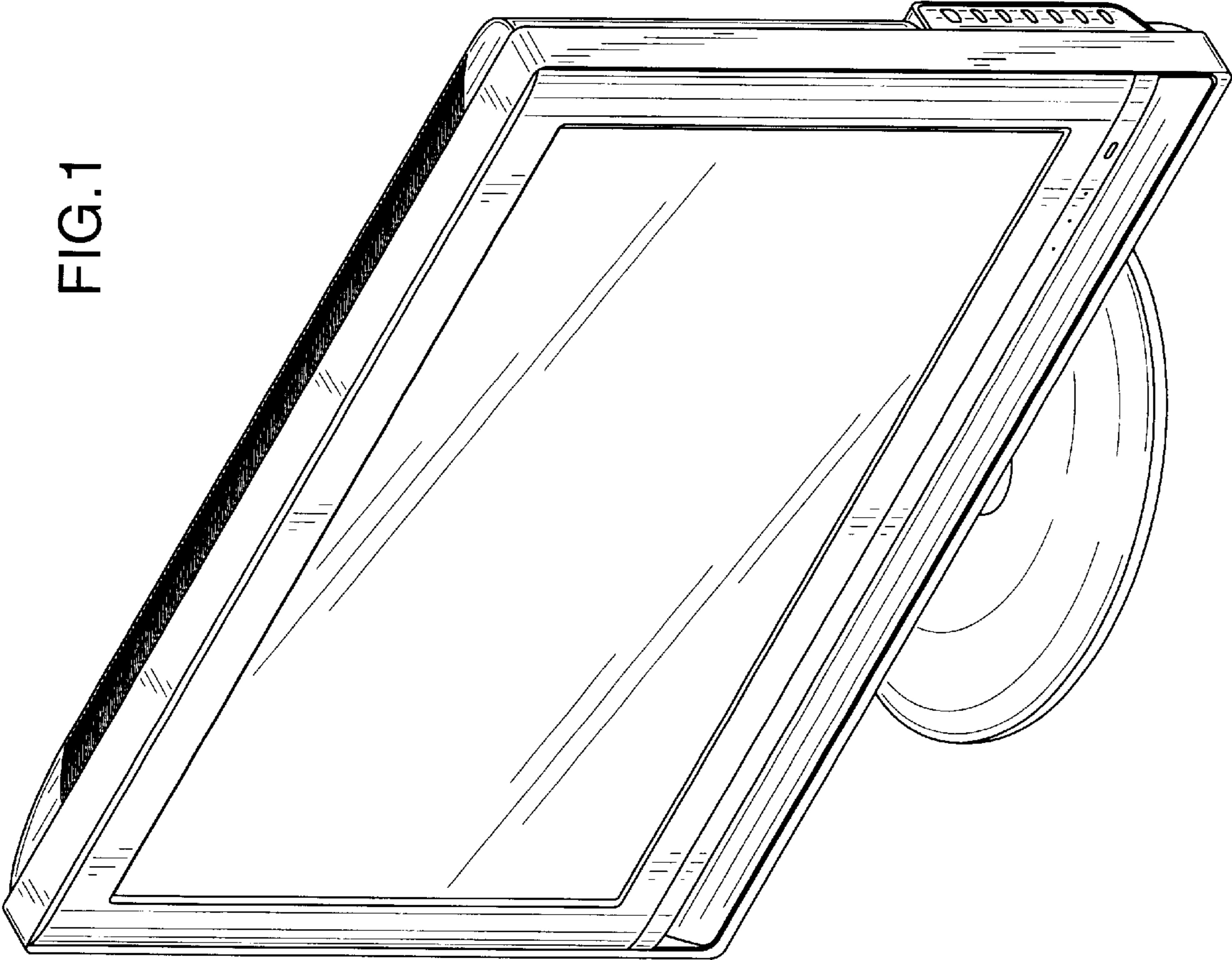


FIG.1



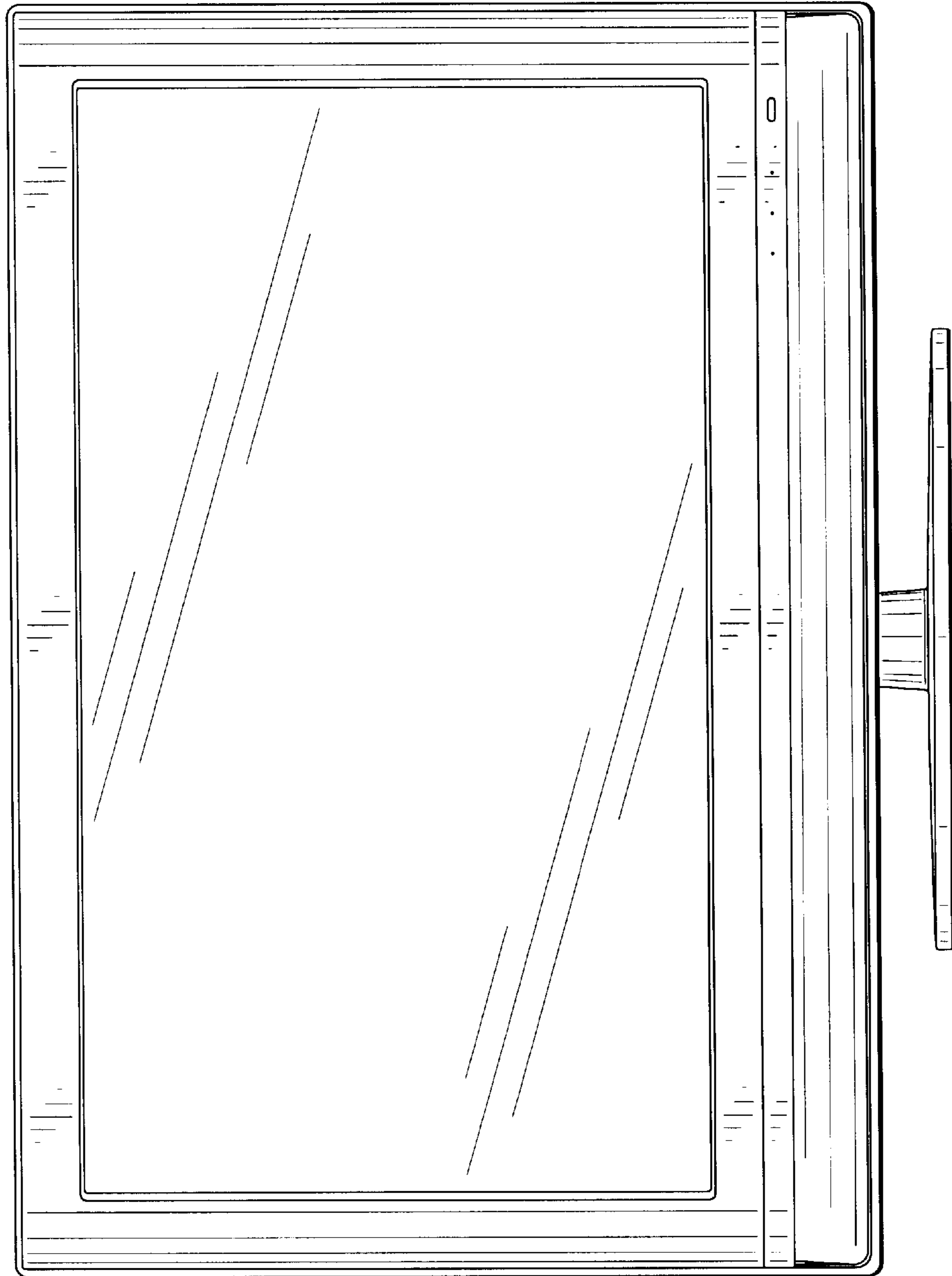


FIG.2

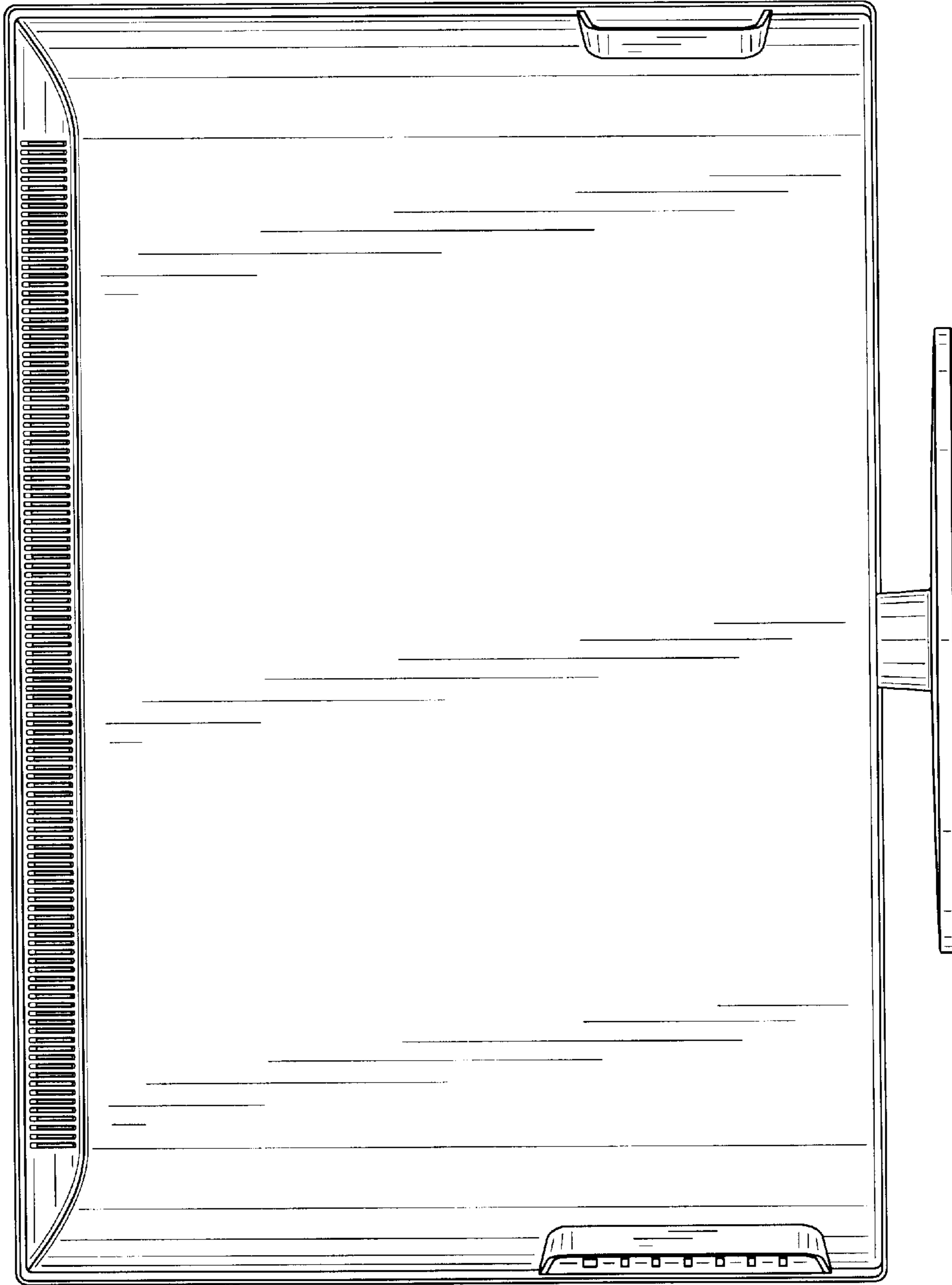


FIG.3

FIG.4

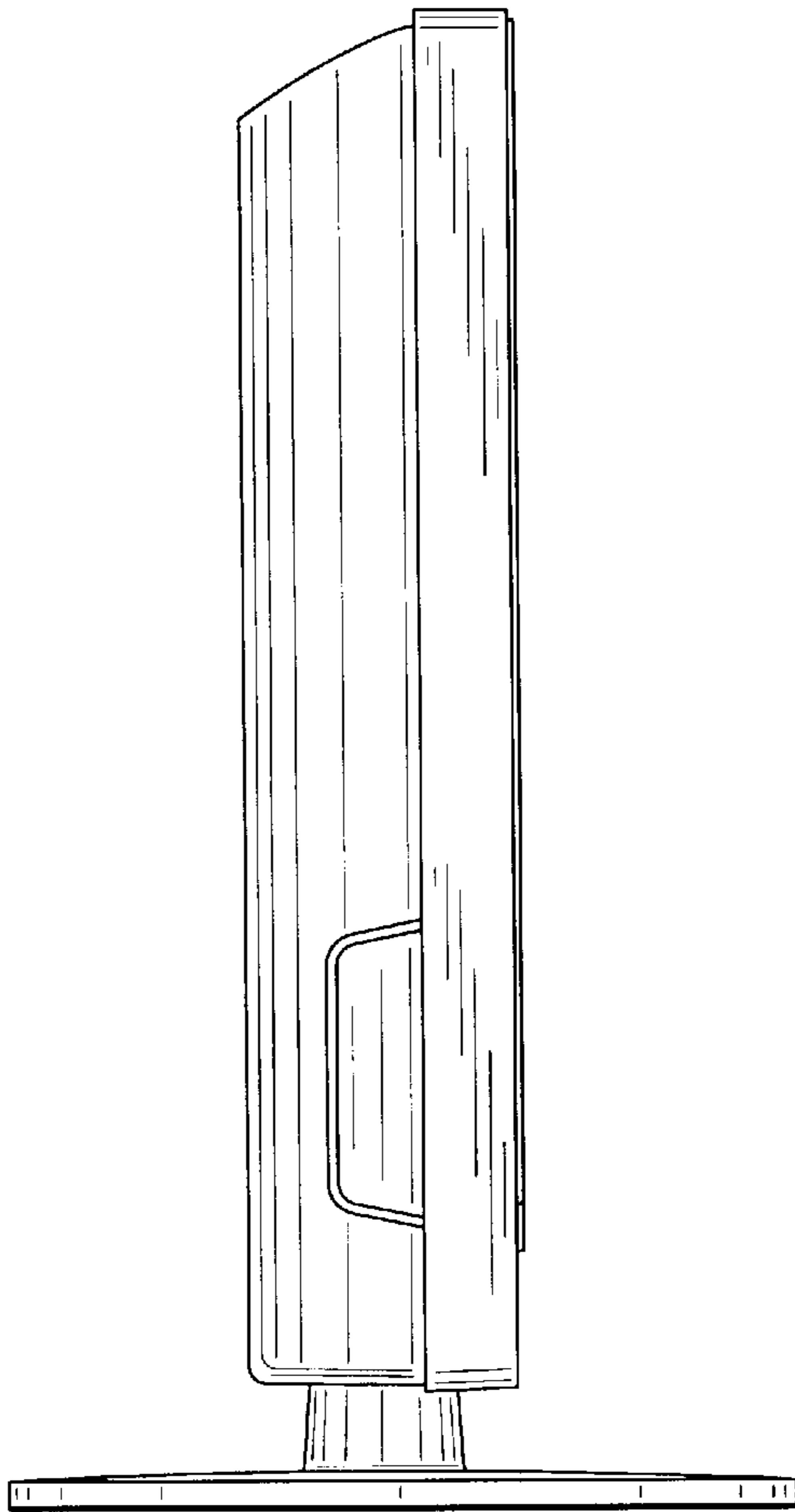
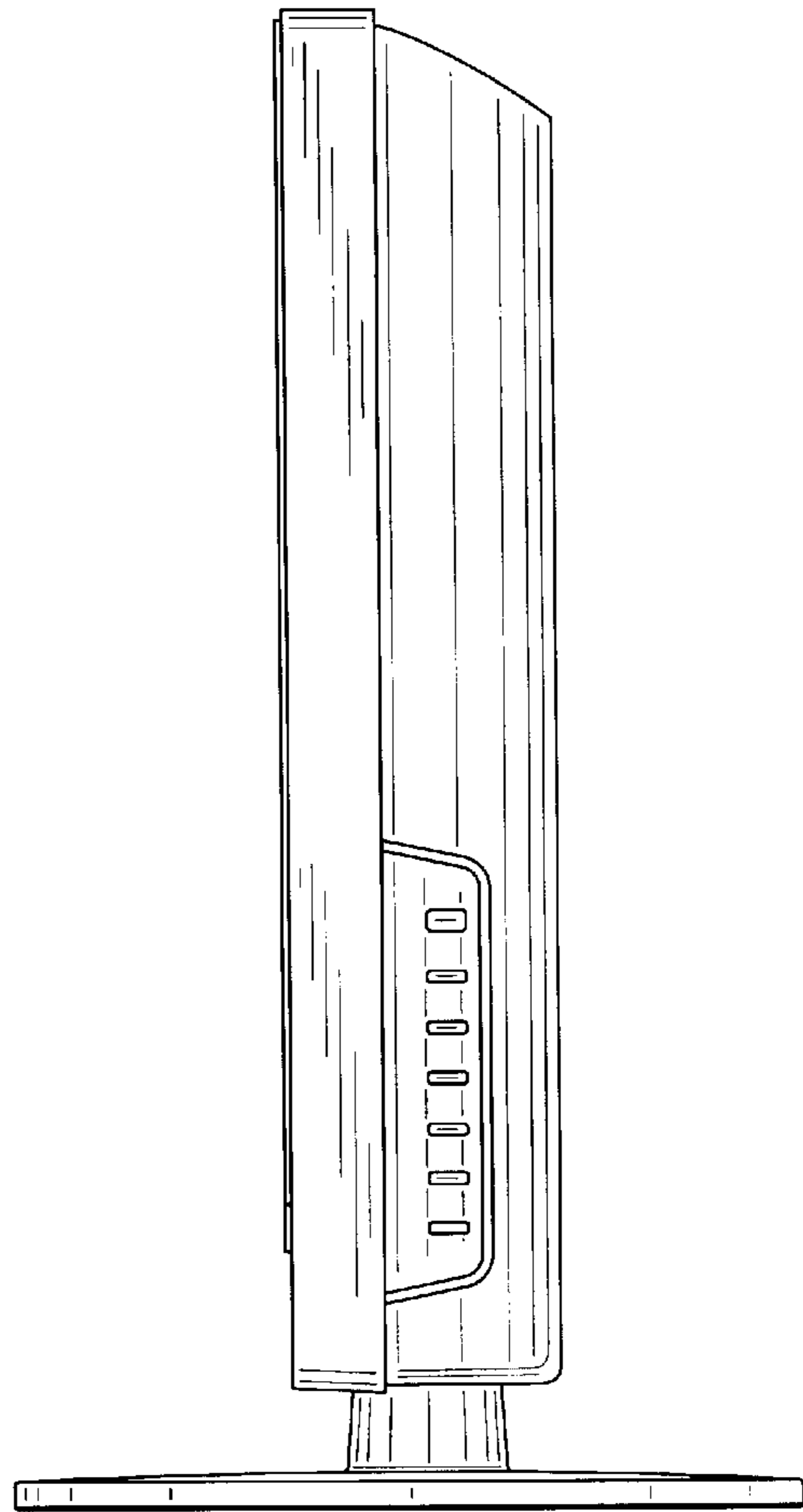


FIG.5



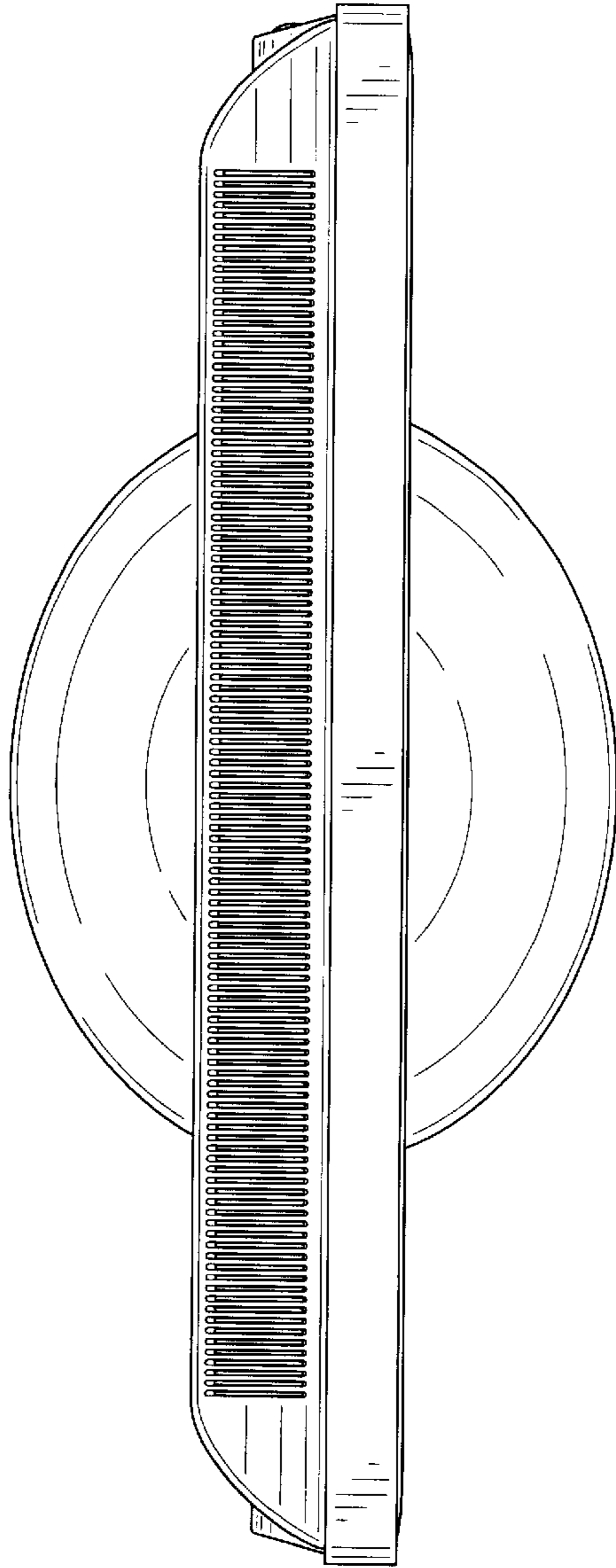


FIG. 6

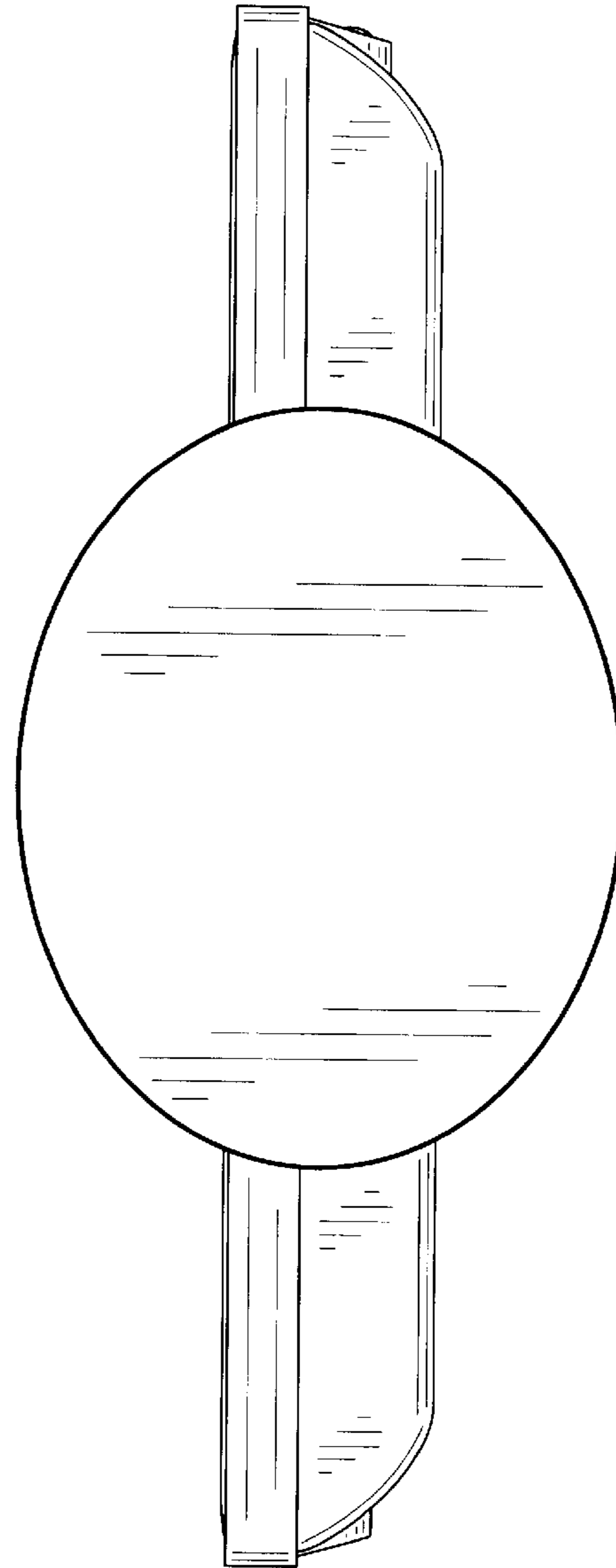


FIG. 7