



US00D534132S

(12) **United States Design Patent**  
**Yoon**

(10) **Patent No.:** **US D534,132 S**

(45) **Date of Patent:** **\*\* Dec. 26, 2006**

(54) **LIGHT EMITTING DIODE (LED)**  
(75) Inventor: **Eun Hae Yoon**, Anyang-si (KR)  
(73) Assignee: **Seoul Semiconductor Co. Ltd.**, Seoul (KR)  
(\*\*) Term: **14 Years**

(21) Appl. No.: **29/236,828**  
(22) Filed: **Aug. 22, 2005**

(30) **Foreign Application Priority Data**

Mar. 23, 2005 (KR) ..... 30-2005-0009339

(51) **LOC (8) Cl.** ..... **13-01**  
(52) **U.S. Cl.** ..... **D13/180**  
(58) **Field of Classification Search** ..... D13/180;  
D26/2; 257/79, 80, 81, 82, 88, 89, 95, 98,  
257/99, 100, 678, 680, 433, 434; 313/483,  
313/498, 500; 361/820; 362/235, 555, 800;  
372/45.01

See application file for complete search history.

(56) **References Cited**

**U.S. PATENT DOCUMENTS**

D478,877 S \* 8/2003 Hoshiba ..... D13/182  
D489,677 S \* 5/2004 Ishida ..... D13/100  
D491,538 S \* 6/2004 Ishida ..... D13/182  
D495,667 S \* 9/2004 Kim et al. .... D13/180  
6,820,991 B1 \* 11/2004 Wakaki et al. .... 362/27

D500,292 S \* 12/2004 Ishida ..... D13/180  
D510,326 S \* 10/2005 Ishida ..... D13/180  
6,953,952 B1 \* 10/2005 Asakawa ..... 257/103  
7,009,285 B1 \* 3/2006 Su et al. .... 257/680  
2005/0121688 A1 \* 6/2005 Nagai et al. .... 257/99  
2006/0023451 A1 \* 2/2006 Han et al. .... 362/249

\* cited by examiner

*Primary Examiner*—Selina Sikder

(74) *Attorney, Agent, or Firm*—Townsend and Townsend and Crew LLP

(57) **CLAIM**

The ornamental design for light emitting diode (LED), as shown and described.

**DESCRIPTION**

FIG. 1 is a perspective view of a light emitting diode (LED) showing my new design;  
FIG. 2 is a front elevational view, the rear elevational view being a mirror image thereof;  
FIG. 3 is a rear elevational view, the front elevational view being a mirror image thereof;  
FIG. 4 is a left side elevational view, the right side elevational view being a mirror image thereof;  
FIG. 5 is a right side elevational view, the left side elevational view being a mirror image thereof;  
FIG. 6 is a top plan view thereof; and,  
FIG. 7 is a bottom plan view thereof.

**1 Claim, 2 Drawing Sheets**

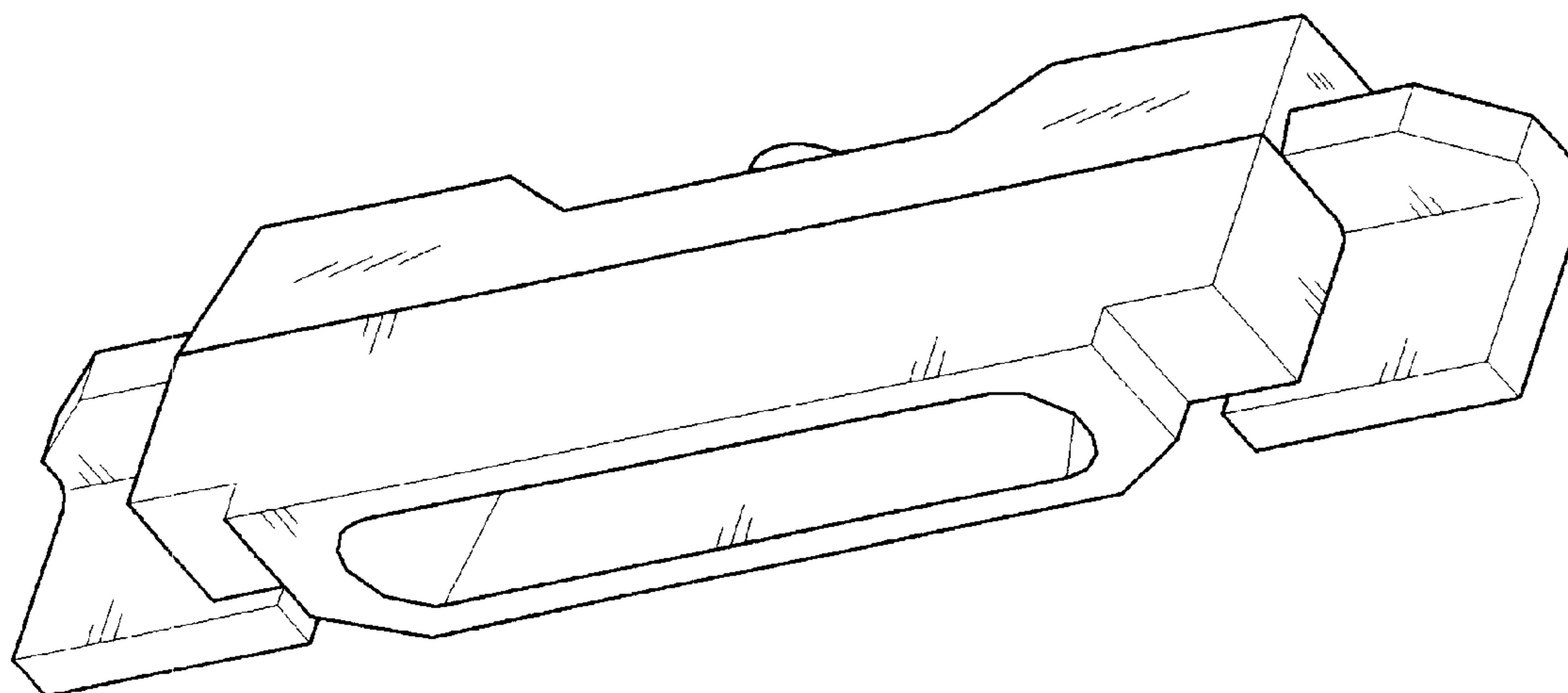


FIG 1

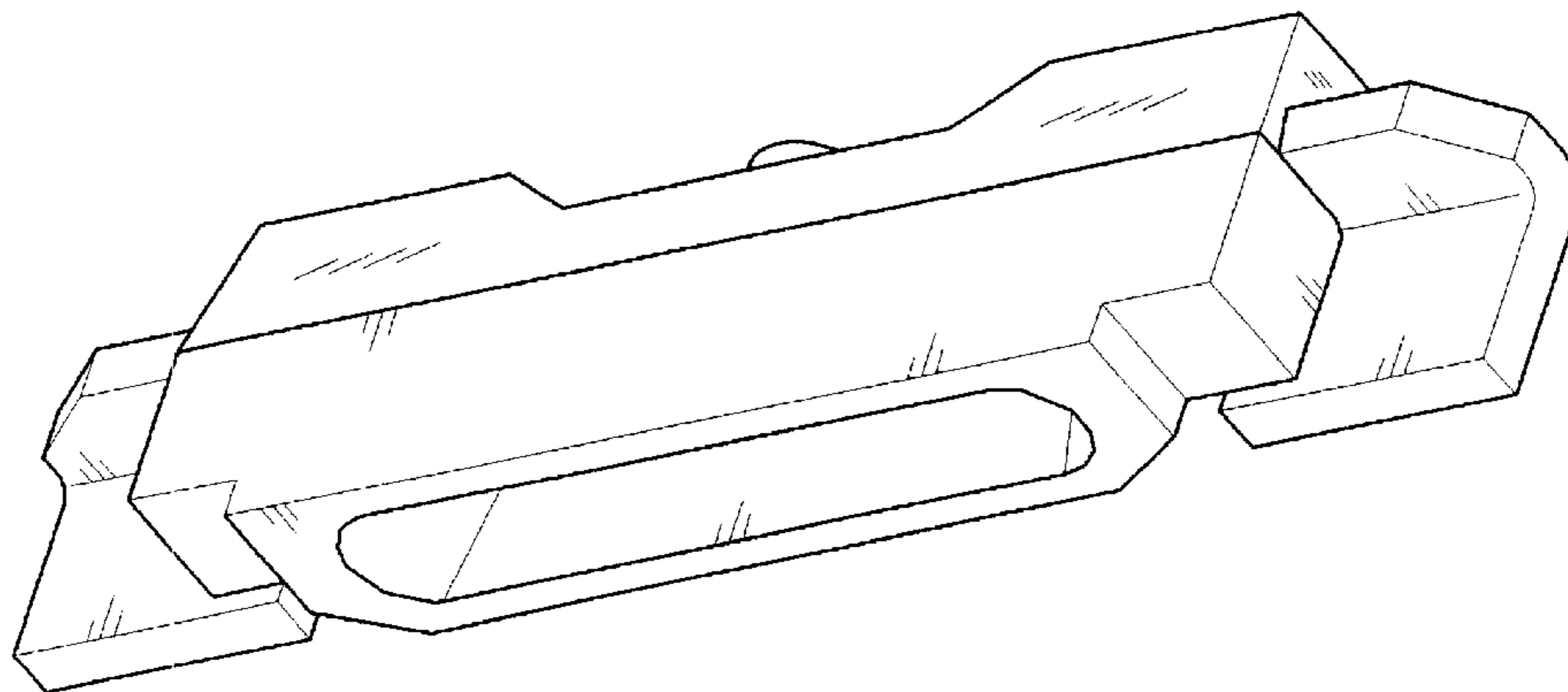


FIG 2

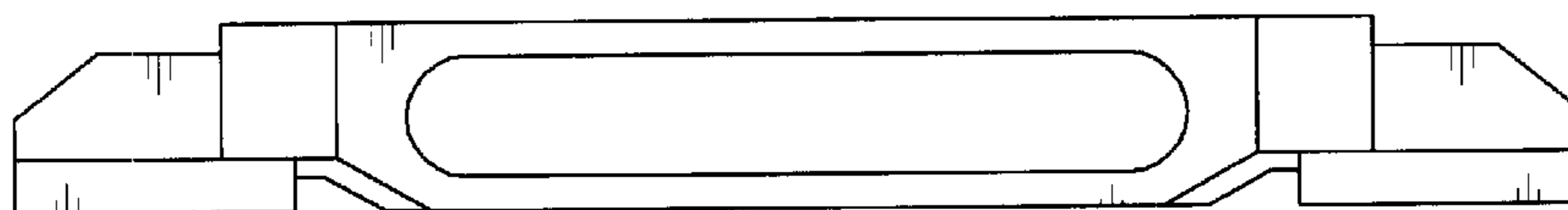


FIG 3

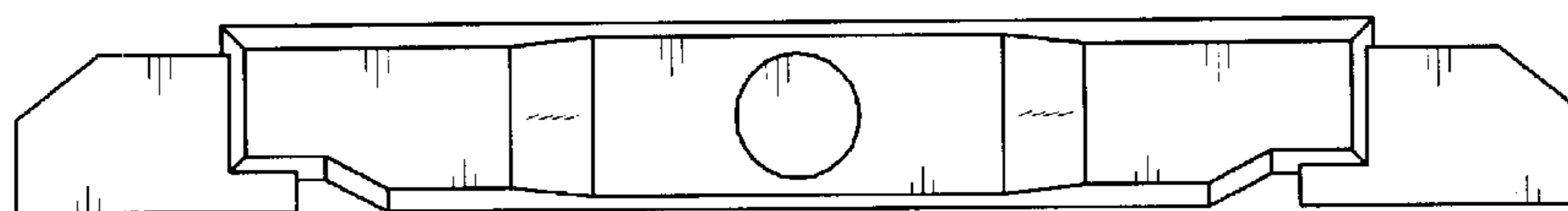


FIG 4

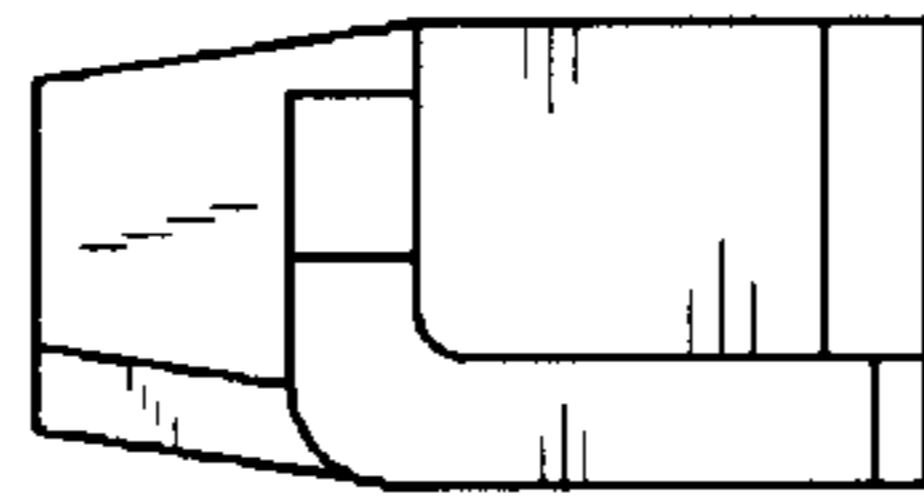


FIG 5

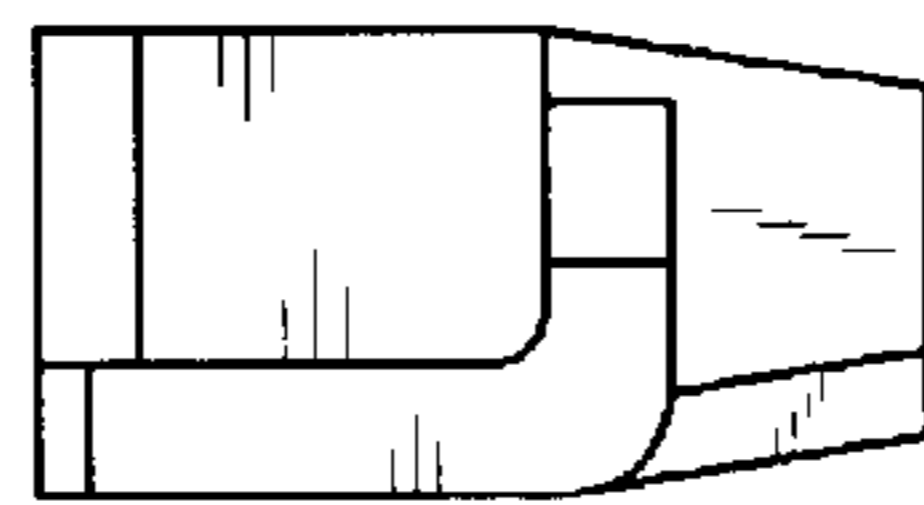


FIG 6

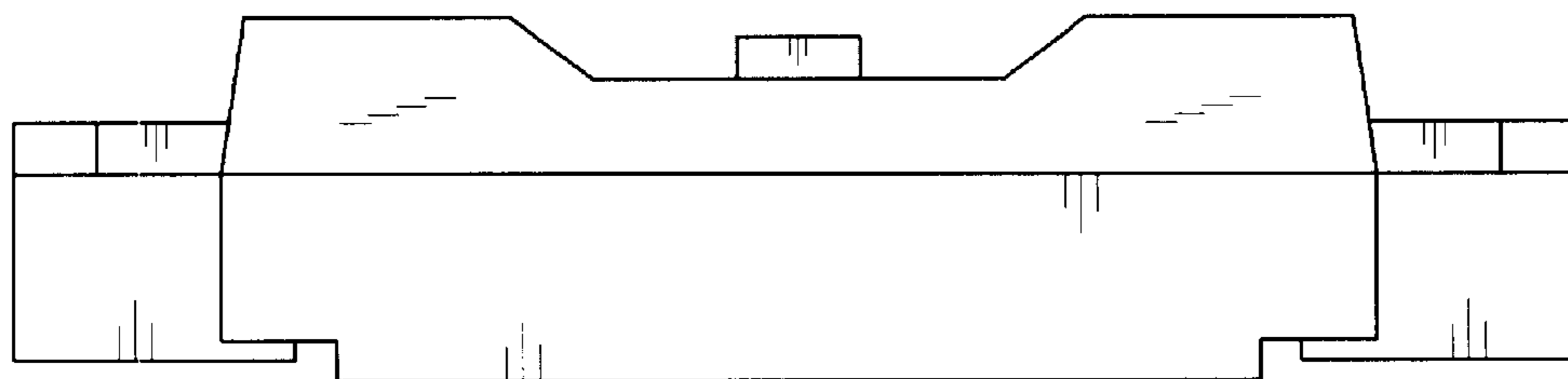


FIG 7

