



US00D534128S

(12) **United States Design Patent** (10) **Patent No.:** **US D534,128 S**
Suzuki et al. (45) **Date of Patent:** **** Dec. 26, 2006**

(54) **ELECTRIC CONNECTOR**

(75) Inventors: **Masayuki Suzuki**, Utsunomiya (JP);
Issey Miyake, Shimotsuke (JP)

(73) Assignee: **DDK Ltd.**, Tokyo (JP)

(**) Term: **14 Years**

(21) Appl. No.: **29/257,945**

(22) Filed: **Apr. 12, 2006**

(30) **Foreign Application Priority Data**

Oct. 12, 2005 (JP) D2005-029715

(51) **LOC (8) Cl.** **13-03**

(52) **U.S. Cl.** **D13/147**

(58) **Field of Classification Search** D13/133,
D13/146-147, 149, 154, 184; D14/432-436,
D14/438; 439/64, 79, 159-160, 260, 325,
439/329, 395, 422, 492, 495, 607-610, 630,
439/862

See application file for complete search history.

(56) **References Cited**

U.S. PATENT DOCUMENTS

- 6,352,442 B1 * 3/2002 Kudo 439/260
- D470,110 S * 2/2003 Yamane D13/147
- D472,219 S * 3/2003 Miura D13/147
- D495,997 S * 9/2004 Kuroki D13/147
- 6,790,074 B1 * 9/2004 Chiu 439/495
- D497,344 S * 10/2004 Huang D13/147
- D500,985 S * 1/2005 Yamane et al. D13/147
- D501,183 S * 1/2005 Yamane et al. D13/147

- 6,855,002 B1 2/2005 Chiu
- 6,971,901 B1 * 12/2005 Chiu et al. 439/329
- D517,494 S * 3/2006 Ikenaga et al. D13/147
- 2005/0042896 A1 * 2/2005 Huang 439/67

* cited by examiner

Primary Examiner—Prabhakar Deshmukh

Assistant Examiner—Daniel Bui

(74) *Attorney, Agent, or Firm*—Sughrue Mion, PLLC;
Pavel I. Pogodin, Esq.

(57) **CLAIM**

The ornamental design for an electric connector, as shown and described.

DESCRIPTION

FIG. 1 is a perspective view of an electric connector showing our new design;
 FIG. 2 is a bottom perspective view thereof;
 FIG. 3 is a perspective view thereof showing the article with its rotating member being closed;
 FIG. 4 is a front view thereof;
 FIG. 5 is a rear view thereof;
 FIG. 6 is a top plan view thereof;
 FIG. 7 is a bottom plan view thereof; and,
 FIG. 8 is a right side view thereof, and a left side view being a mirror image of the right side view.

The broken lines shown in the views are for illustrative purpose only and form no part of claimed design. The lines consisting of long lines and dots indicate conceptual border lines between the claimed portions and the disclaimed portion.

1 Claim, 4 Drawing Sheets

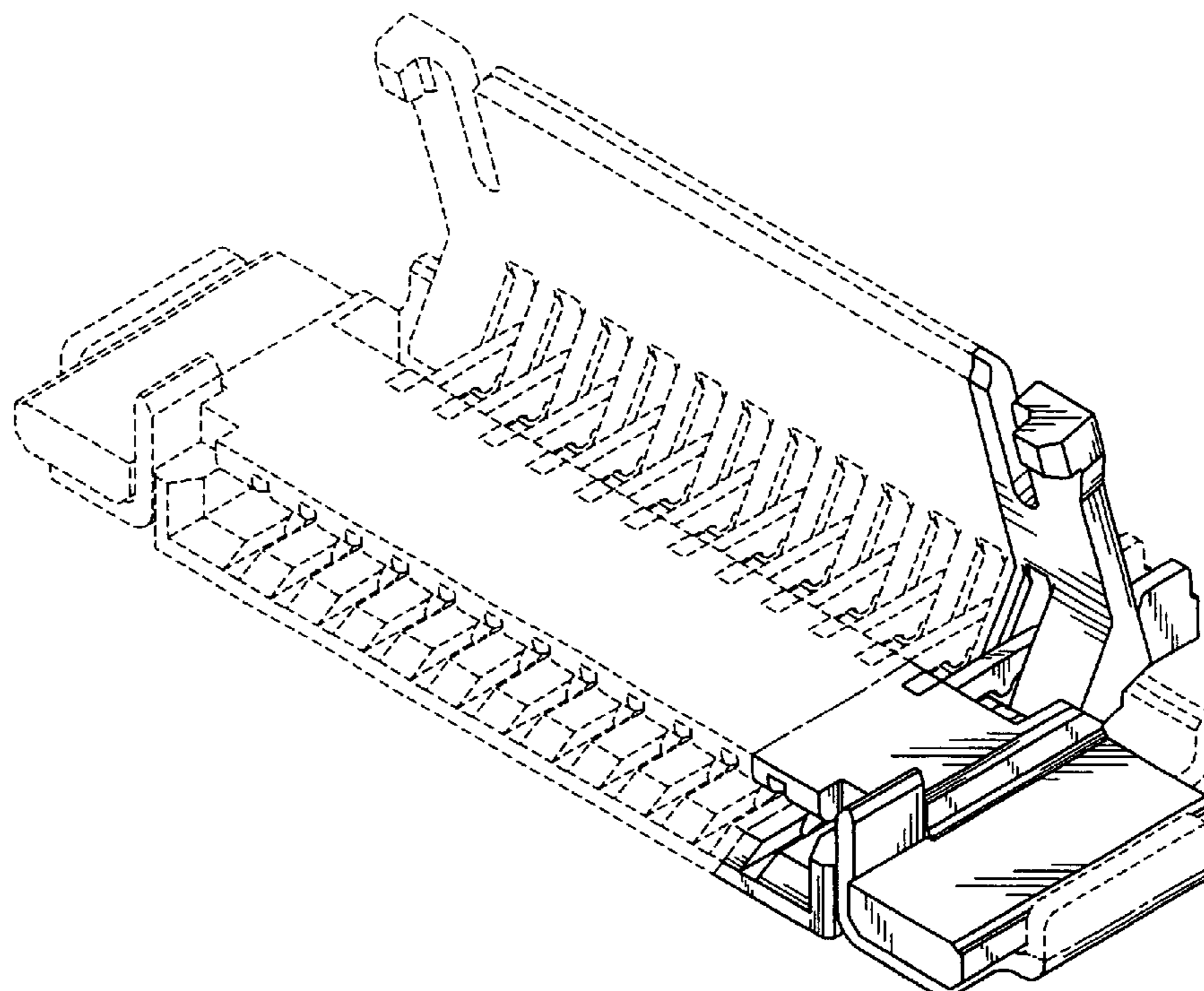


Fig.1

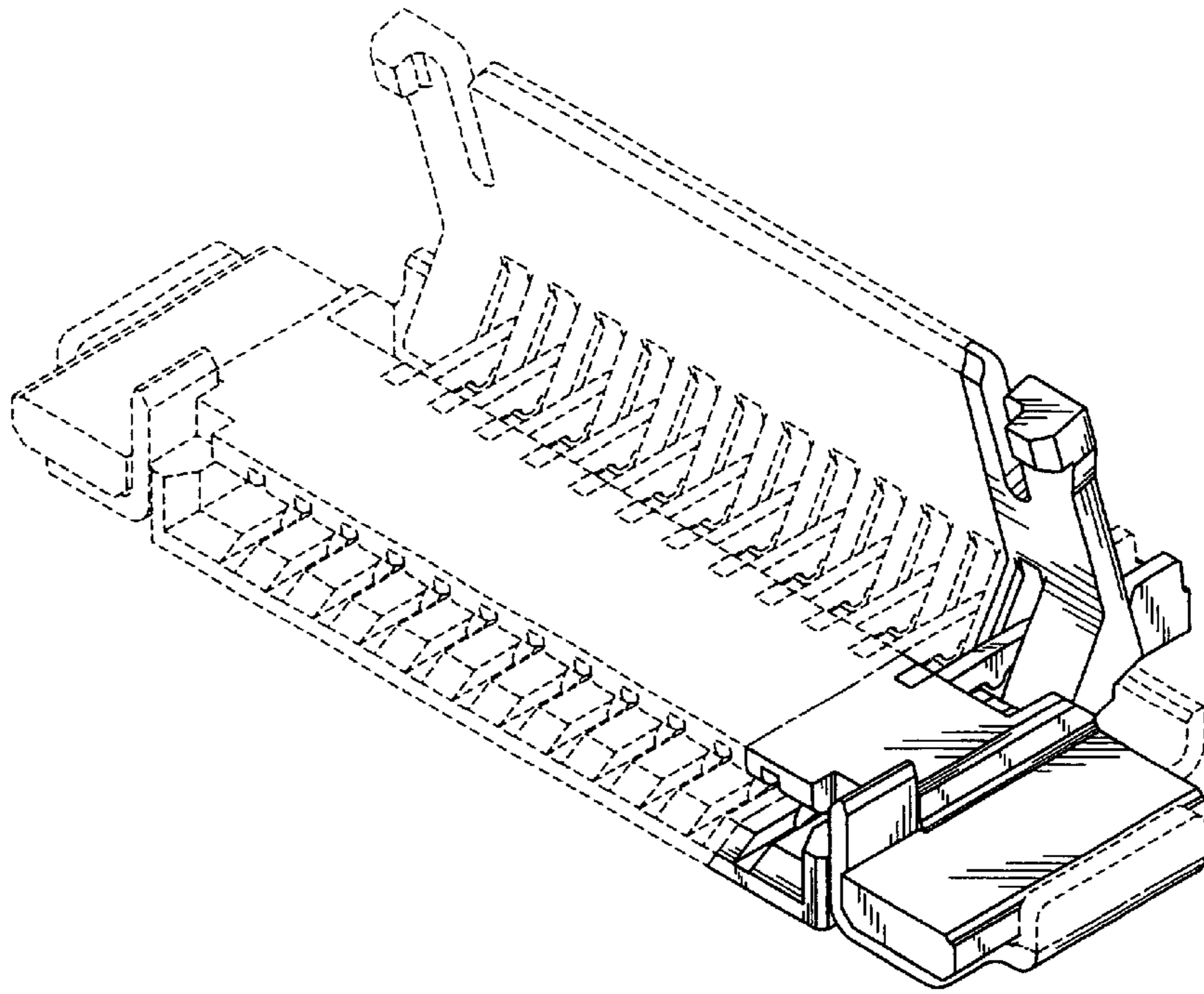


Fig.2

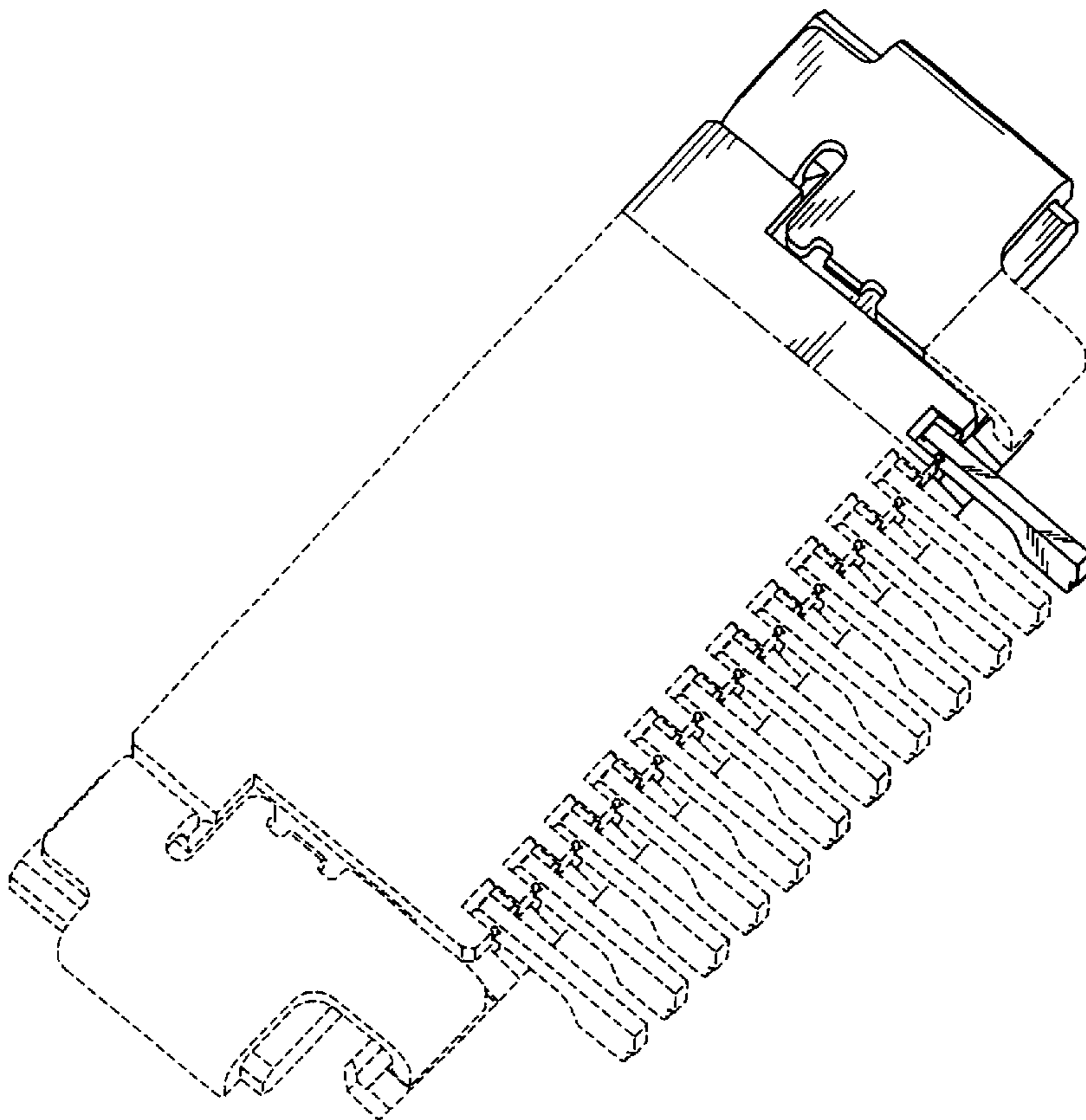


Fig.3

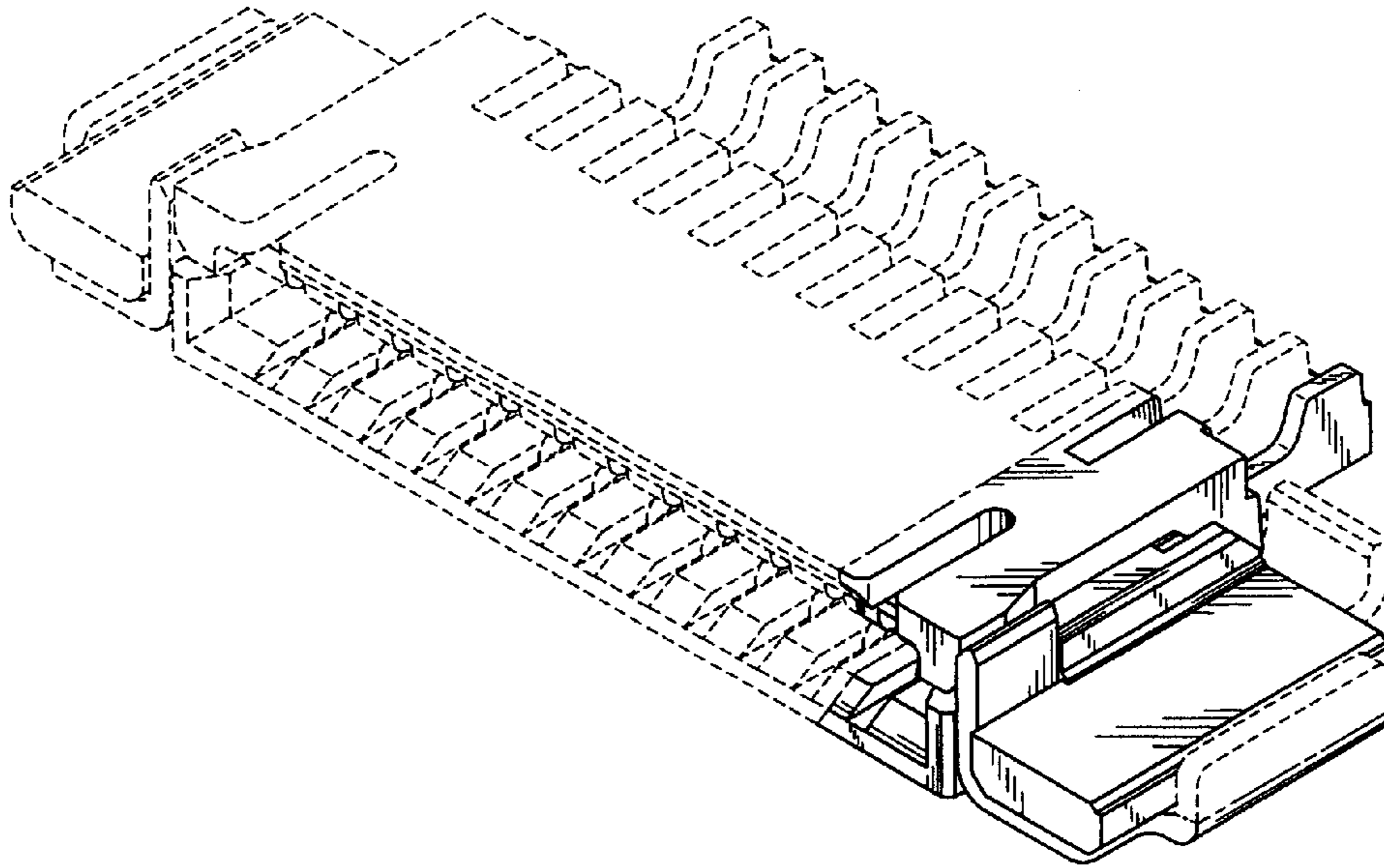


Fig.4

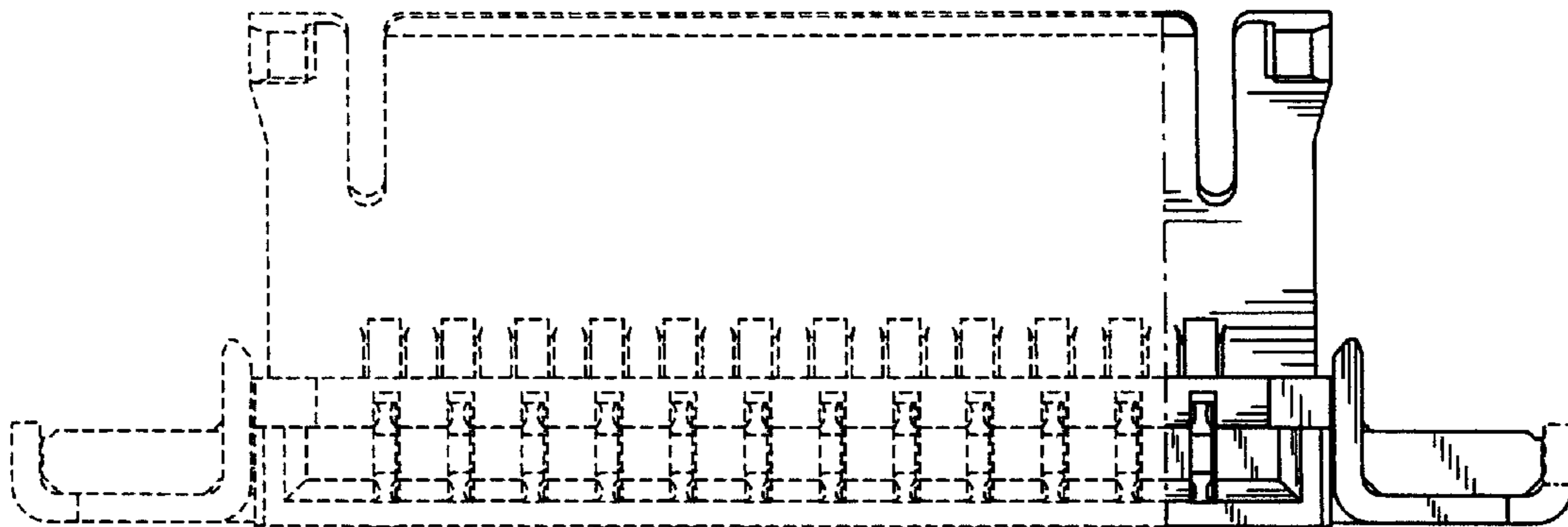


Fig.5

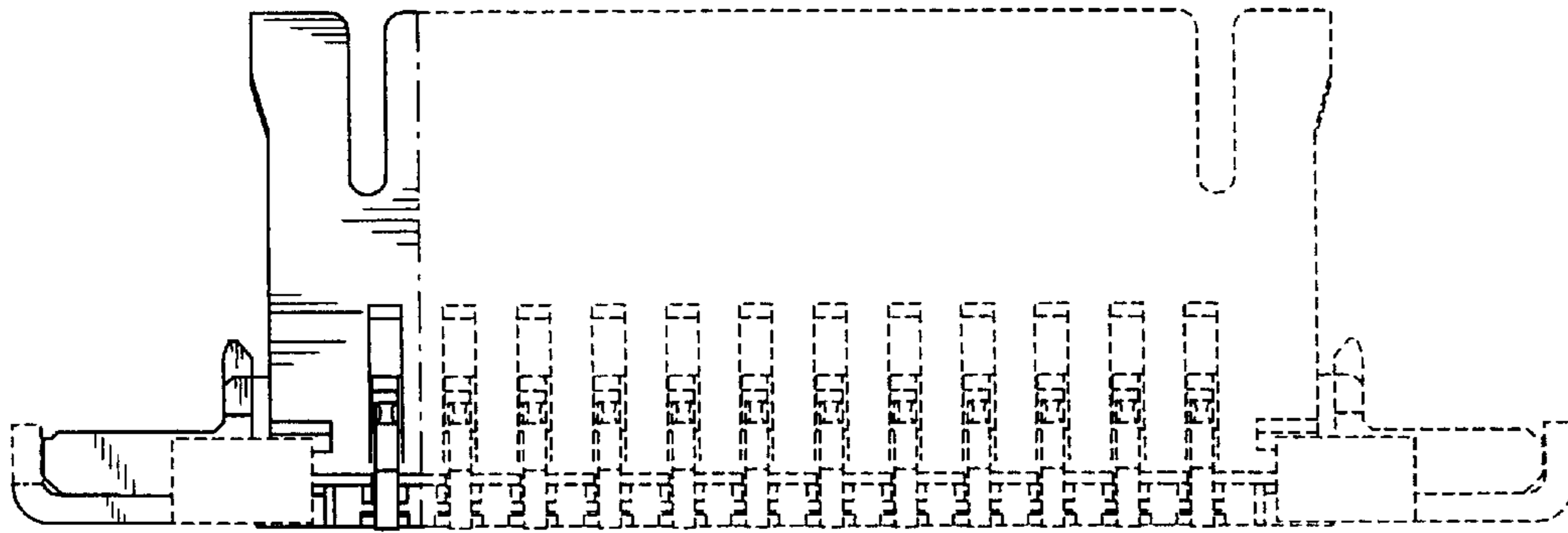


Fig.6

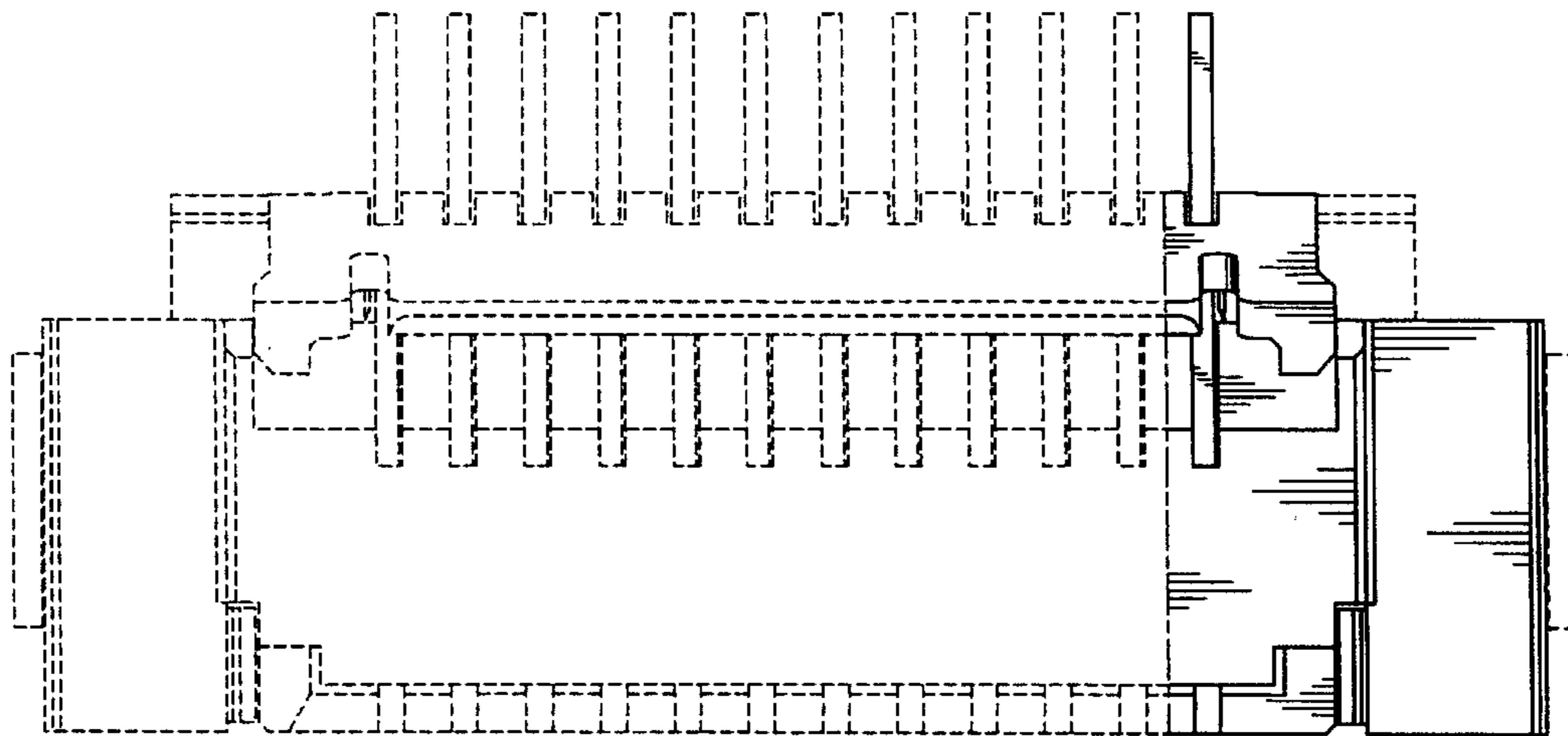


Fig.7

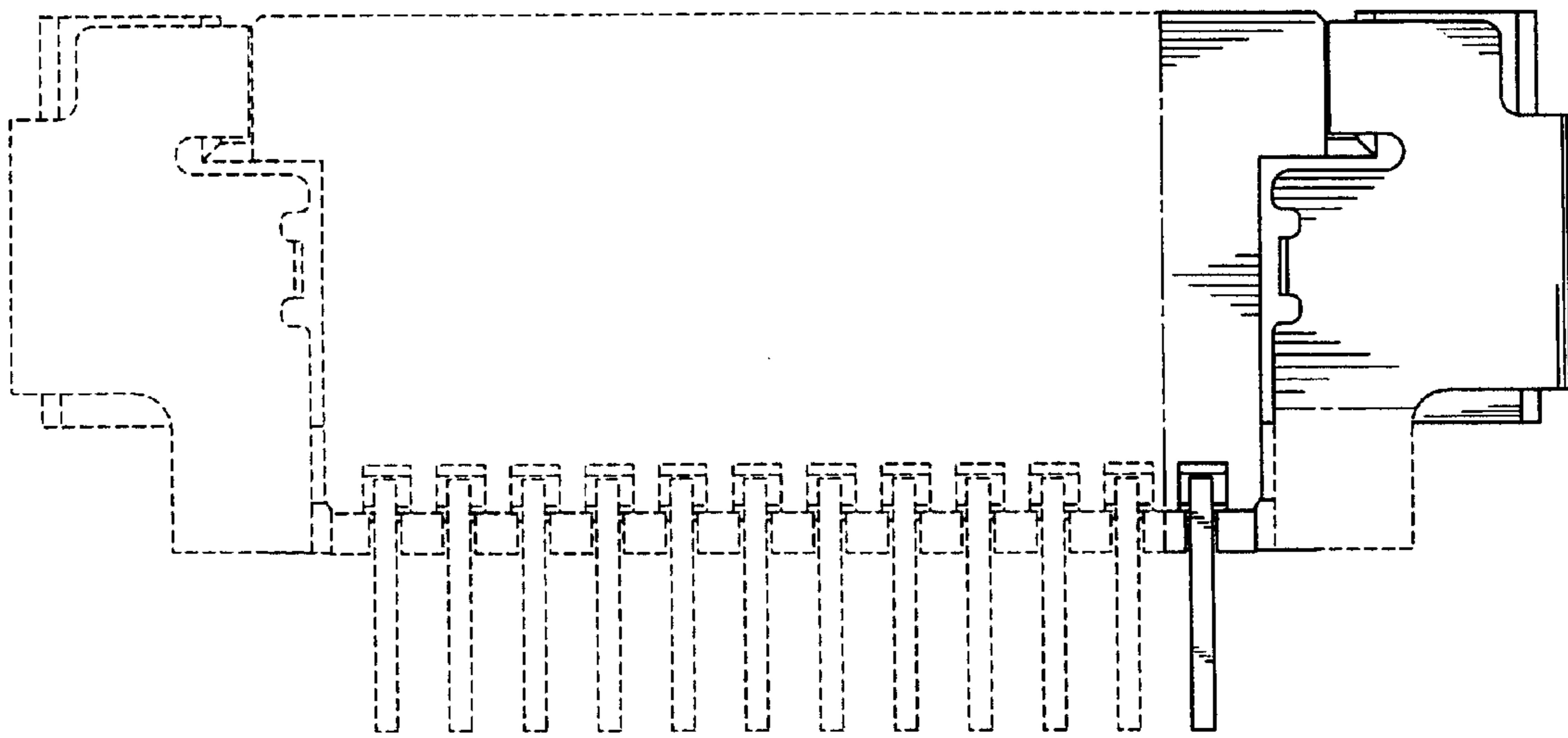


Fig.8

