



US00D534127S

(12) **United States Design Patent**
Suzuki et al.

(10) **Patent No.:** **US D534,127 S**

(45) **Date of Patent:** **** Dec. 26, 2006**

(54) **ELECTRIC CONNECTOR**

(75) Inventors: **Masayuki Suzuki**, Utsunomiya (JP);
Kazuhiro Sato, Santa Clara, CA (US);
Yuuki Nakano, Utsunomiya (JP); **Issey Miyake**, Shimotsuga-gun (JP)

(73) Assignee: **DDK Ltd.**, Tokyo (JP)

(**) Term: **14 Years**

(21) Appl. No.: **29/253,667**

(22) Filed: **Feb. 9, 2006**

(30) **Foreign Application Priority Data**

Dec. 9, 2005 (JP) D2005-036454

(51) **LOC (8) Cl.** **13-03**

(52) **U.S. Cl.** **D13/147**

(58) **Field of Classification Search** D13/133,
D13/146-147, 149, 154, 184; D14/432-436,
D14/438; 439/64, 79, 159-160, 260, 325,
439/329, 395, 422, 492, 495, 607-610, 630,
439/862

See application file for complete search history.

(56) **References Cited**

U.S. PATENT DOCUMENTS

6,352,442 B1 * 3/2002 Kudo 439/260
D470,110 S * 2/2003 Yamane D13/147
D472,219 S * 3/2003 Miura D13/147

D495,997 S * 9/2004 Kuroki D13/147
6,790,074 B1 * 9/2004 Chiu 439/495
D497,344 S * 10/2004 Huang D13/147
D500,985 S * 1/2005 Yamane et al. D13/147
D501,183 S * 1/2005 Yamane et al. D13/147
6,971,901 B1 * 12/2005 Chiu et al. 439/329
D517,494 S * 3/2006 Ikenaga et al. D13/147
2005/0042896 A1 * 2/2005 Huang 439/67

* cited by examiner

Primary Examiner—Prabhakar Deshmukh

Assistant Examiner—Daniel Bui

(74) *Attorney, Agent, or Firm*—Sughrue Mion, PLLC;
Pavel I. Pogodin, Esq.

(57) **CLAIM**

The ornamental design for an electric connector, as shown and described.

DESCRIPTION

FIG. 1 is a top perspective view of an electric connector showing our new design;
FIG. 2 is a bottom perspective view thereof;
FIG. 3 is a front view thereof;
FIG. 4 is a rear view thereof;
FIG. 5 is a right side view thereof;
FIG. 6 is a left side view thereof;
FIG. 7 is a top plan view thereof; and,
FIG. 8 is a bottom plan view thereof.

1 Claim, 4 Drawing Sheets

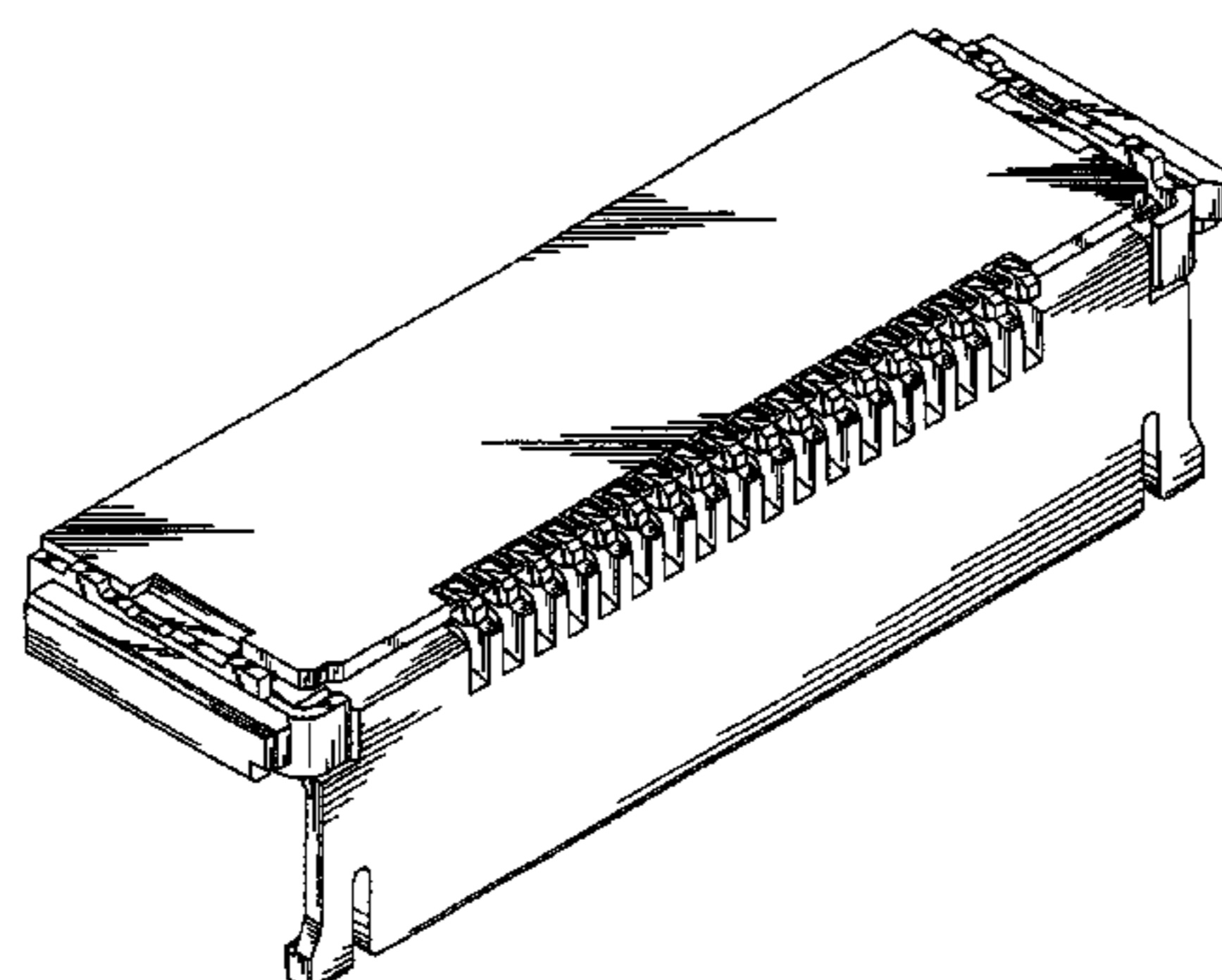
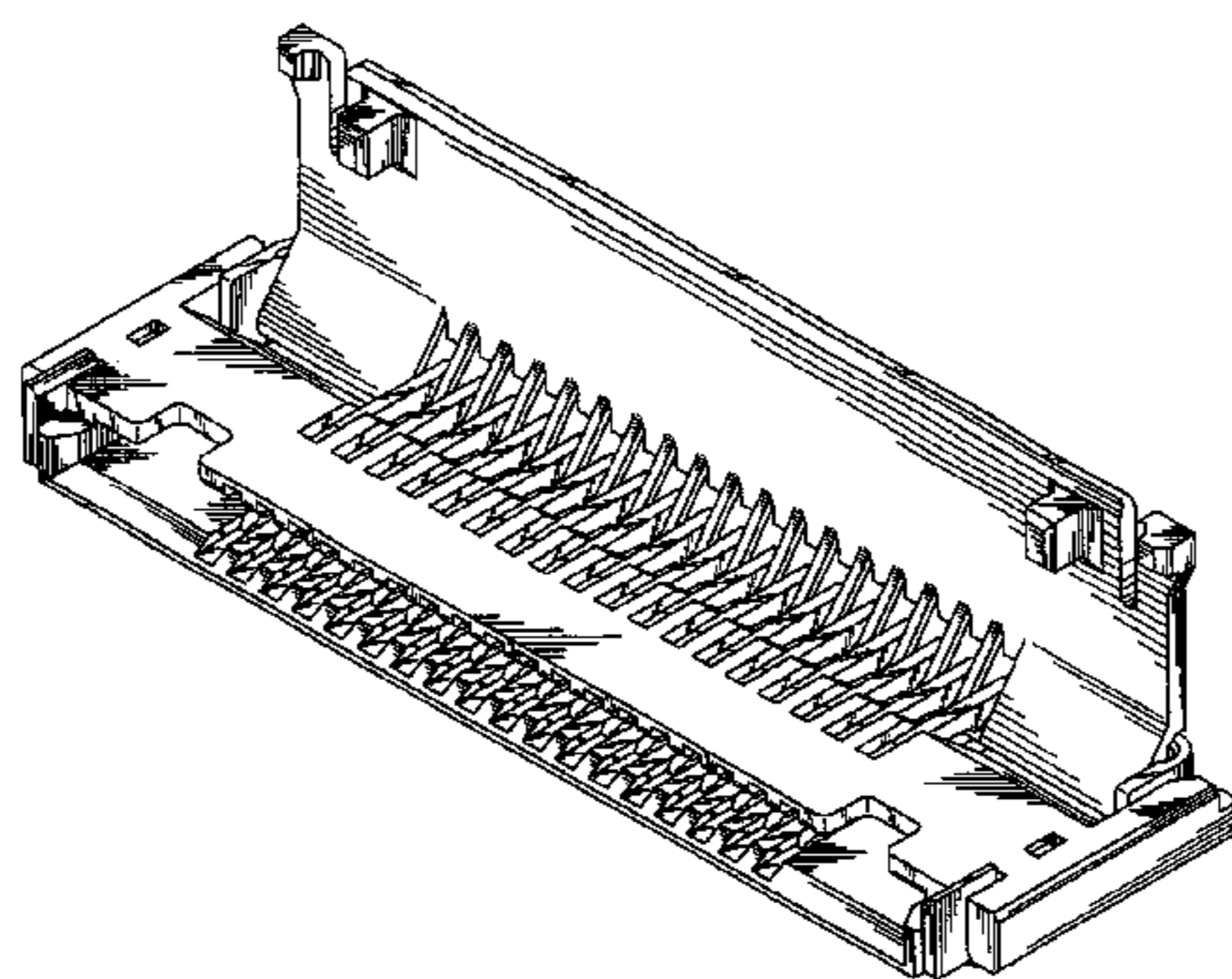


Fig.1

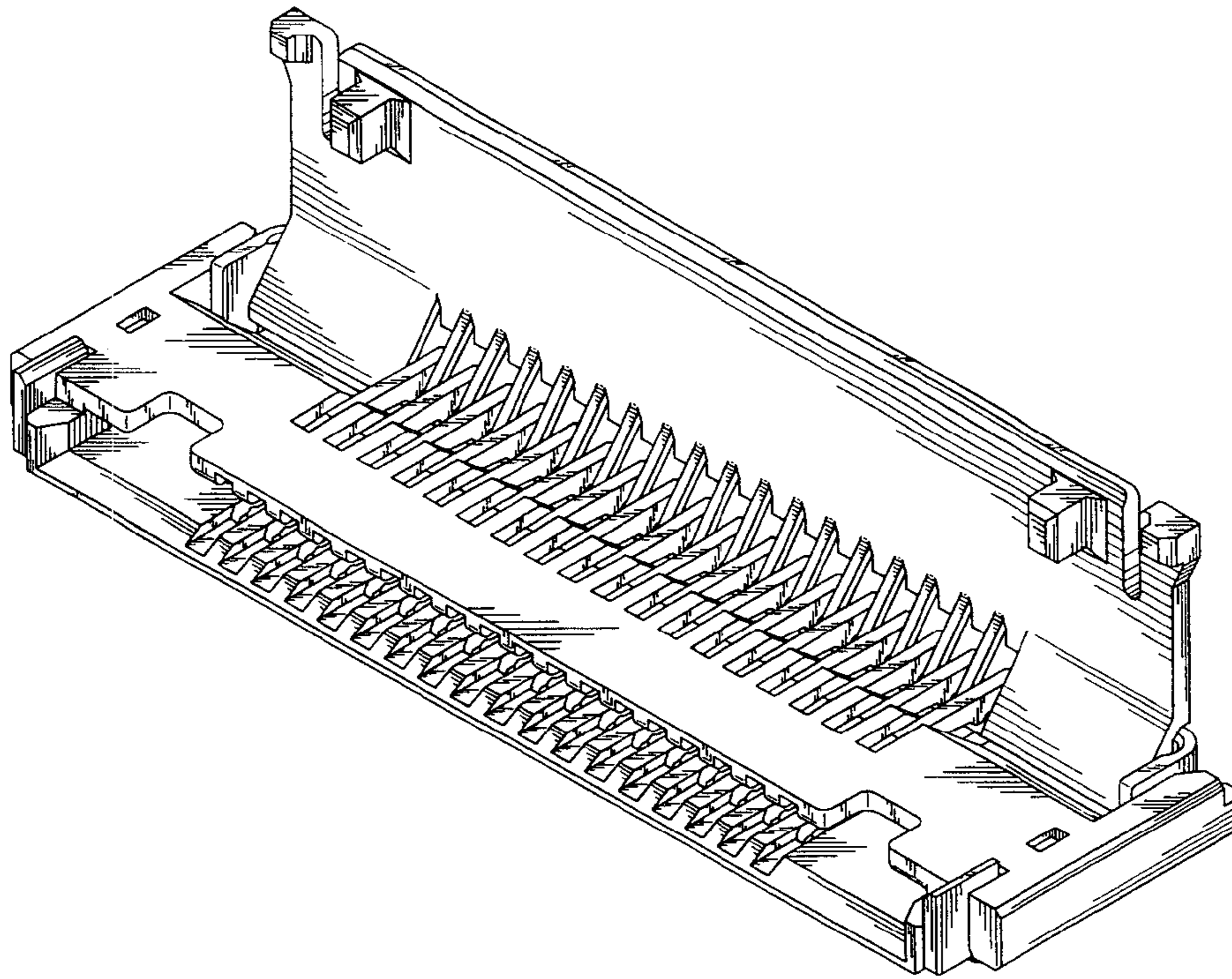


Fig.2

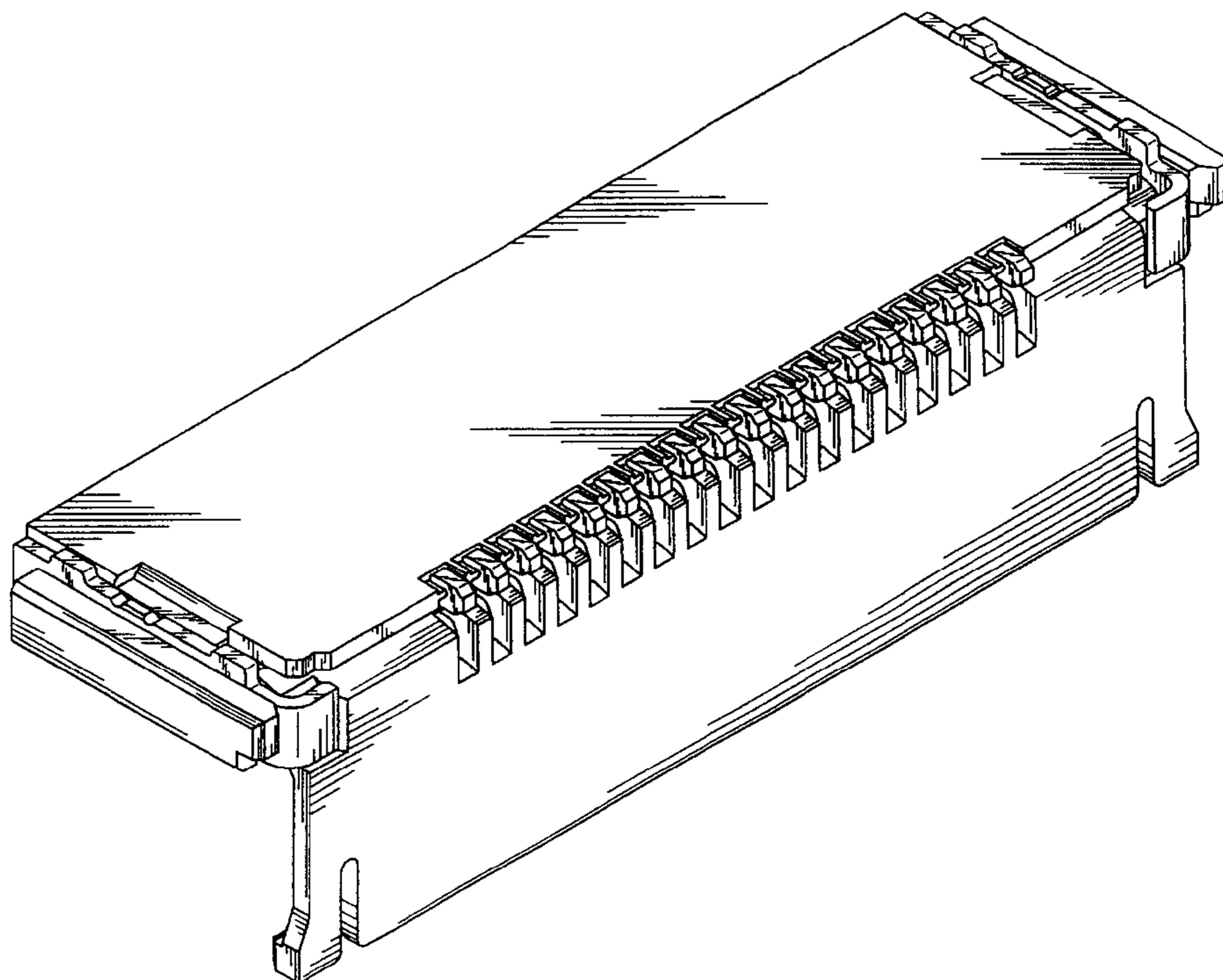


Fig.3

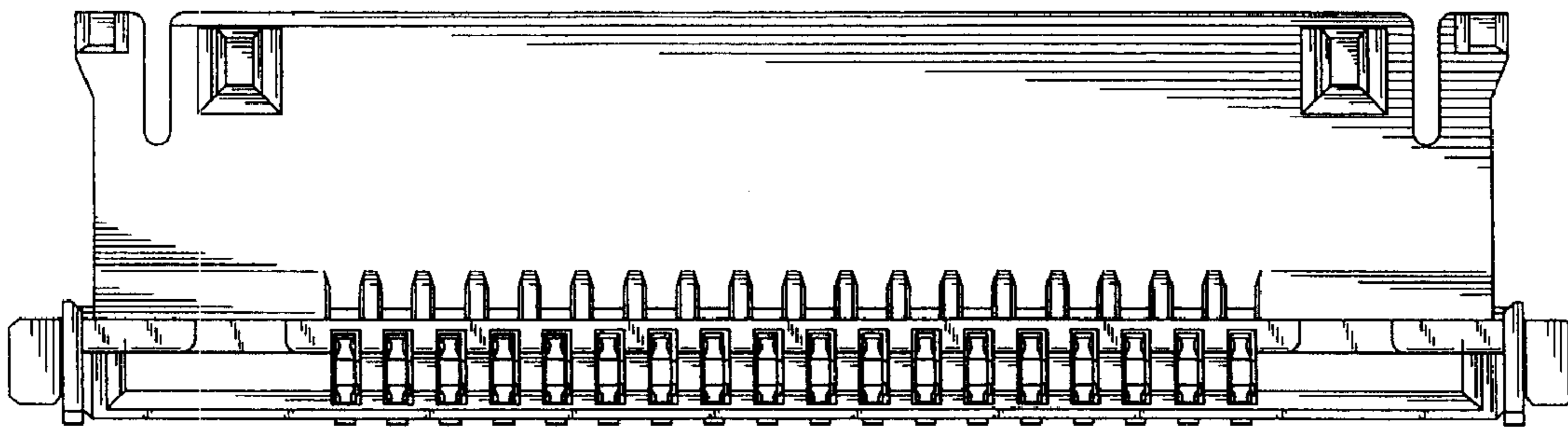


Fig.4

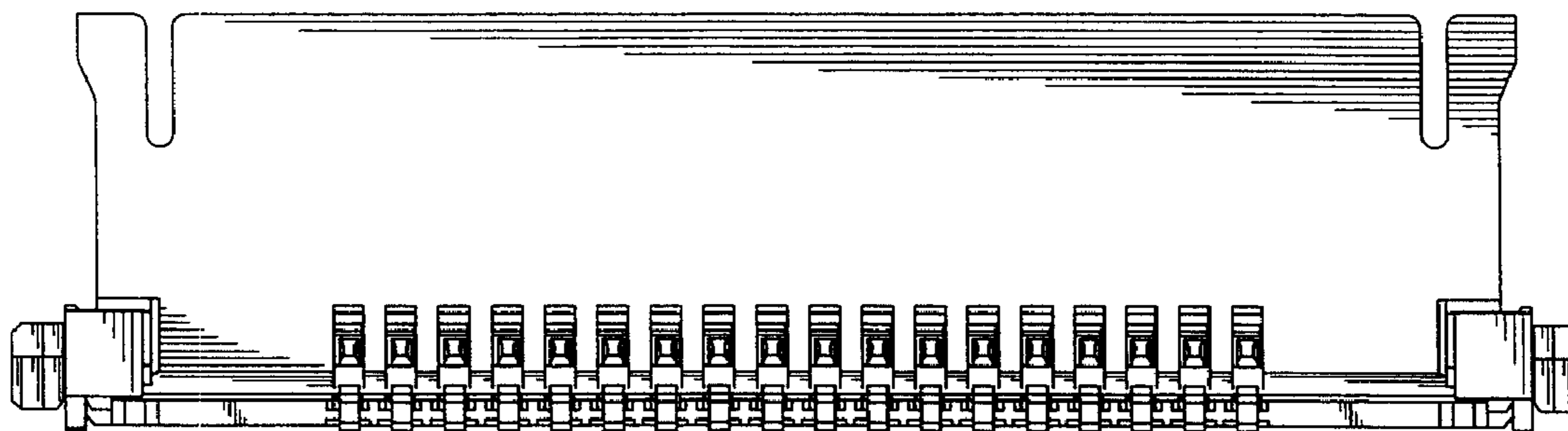


Fig.5

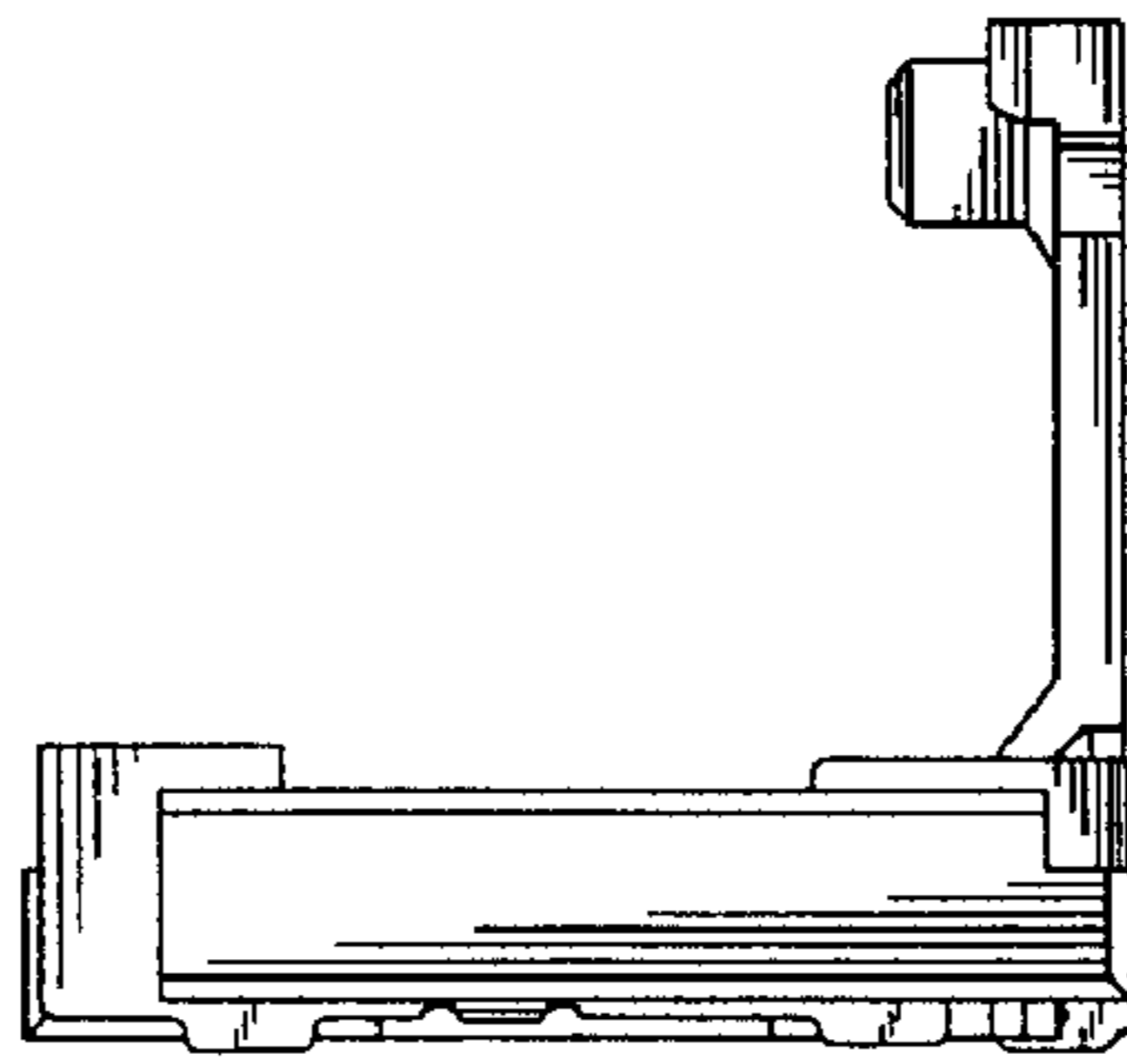


Fig.6

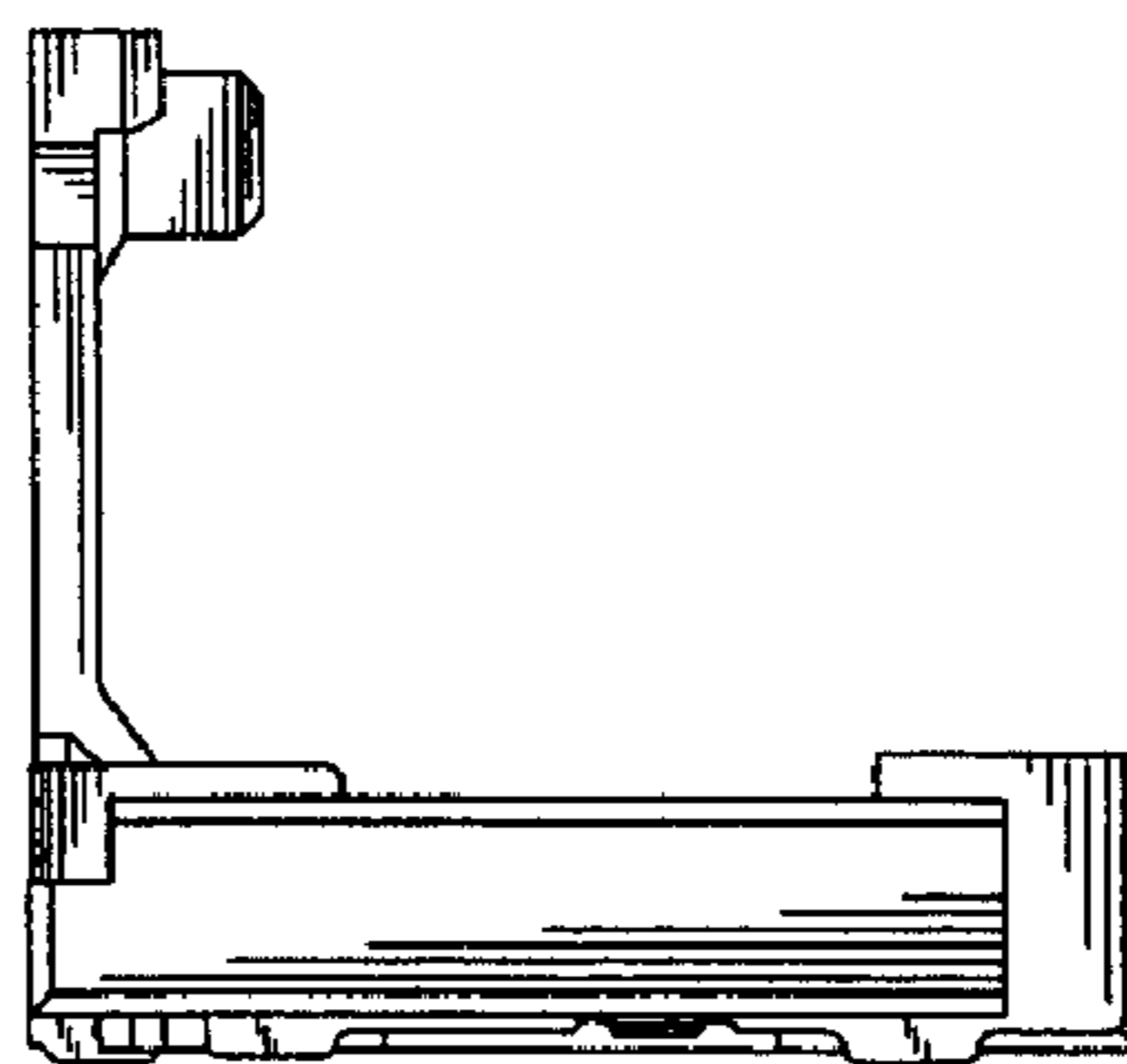


Fig.7

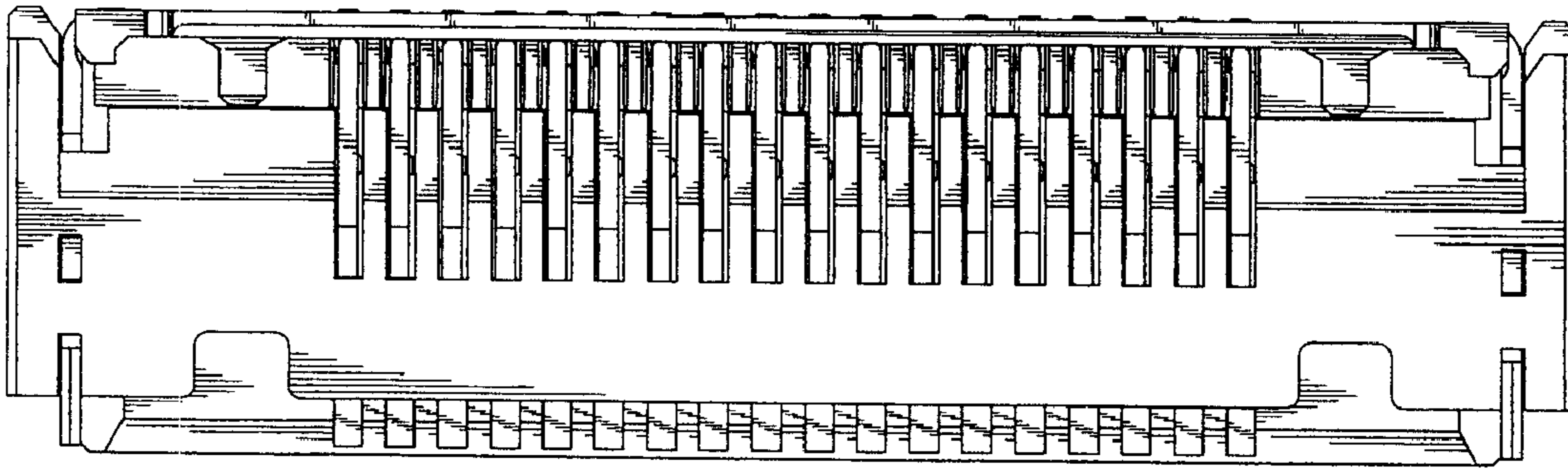


Fig.8

