



US00D534126S

(12) **United States Design Patent**
Chan

(10) **Patent No.:** **US D534,126 S**

(45) **Date of Patent:** **** Dec. 26, 2006**

(54) **LOCKABLE SOCKET**

(75) Inventor: **Huang-Bin Chan**, Taoyuan Hsien (TW)

(73) Assignee: **Exito Electronics Co., Ltd.**, Taoyuan Hsien (TW)

(**) Term: **14 Years**

(21) Appl. No.: **29/232,489**

(22) Filed: **Jun. 21, 2005**

(51) **LOC (8) Cl.** **13-03**

(52) **U.S. Cl.** **D13/139.1**

(58) **Field of Classification Search** .. D13/137.1-137.4,
D13/139.1, 139.6-139.8, 133, 154, 156;
439/650-655, 105-106, 628, 476, 478, 480,
439/483, 484, 692, 696, 645-646; 174/53-58;
337/197, 198

See application file for complete search history.

(56) **References Cited**

U.S. PATENT DOCUMENTS

D243,090 S	*	1/1977	Lawrence et al.	D13/139.7
D266,559 S	*	10/1982	Gibbs	D13/138.1
D297,634 S	*	9/1988	Poliak et al.	D13/139.7
D326,642 S	*	6/1992	Lowe	D13/138.1

D375,081 S	*	10/1996	Sandor et al.	D13/139.1
5,567,175 A	*	10/1996	Warden et al.	439/490
5,676,568 A	*	10/1997	Weber	439/694
D405,759 S	*	2/1999	Carmo et al.	D13/139.1
D409,567 S	*	5/1999	Carmo et al.	D13/139.1
D484,460 S	*	12/2003	Cheng et al.	D13/137.4
D510,067 S	*	9/2005	Miller	D13/137.4

* cited by examiner

Primary Examiner—M. H. Tung

Assistant Examiner—Rosemary K. Tarcza

(74) *Attorney, Agent, or Firm*—Troxell Law Office, PLLC

(57) **CLAIM**

The ornamental design for lockable socket, as shown.

DESCRIPTION

FIG. 1 is a front perspective view of a lockable socket showing my new design;

FIG. 2 is a front elevational view thereof;

FIG. 3 is a rear elevational view thereof;

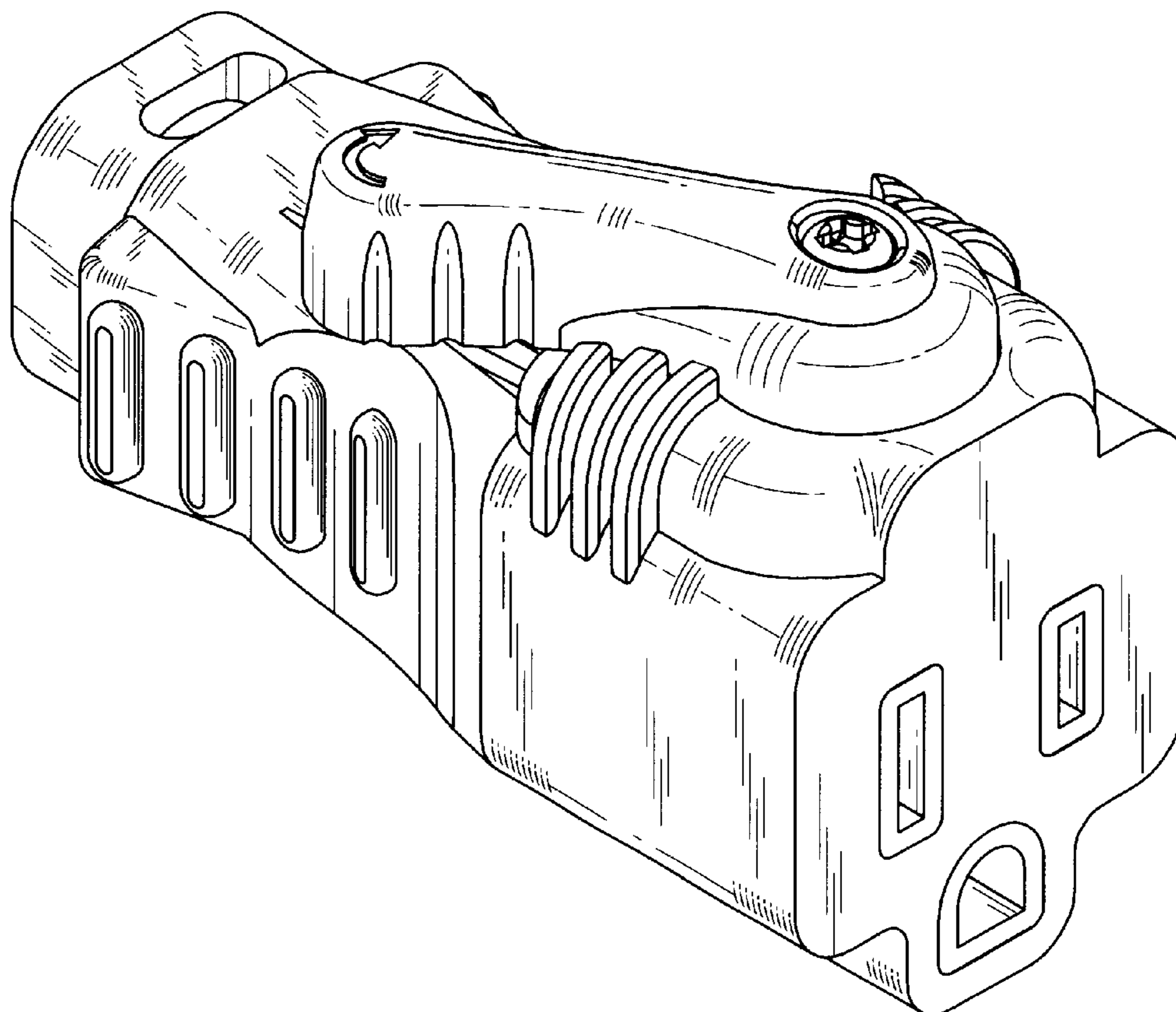
FIG. 4 is a left side elevational view thereof;

FIG. 5 is a right side elevational view thereof;

FIG. 6 is a top plan view thereof; and,

FIG. 7 is a bottom plan view thereof.

1 Claim, 4 Drawing Sheets



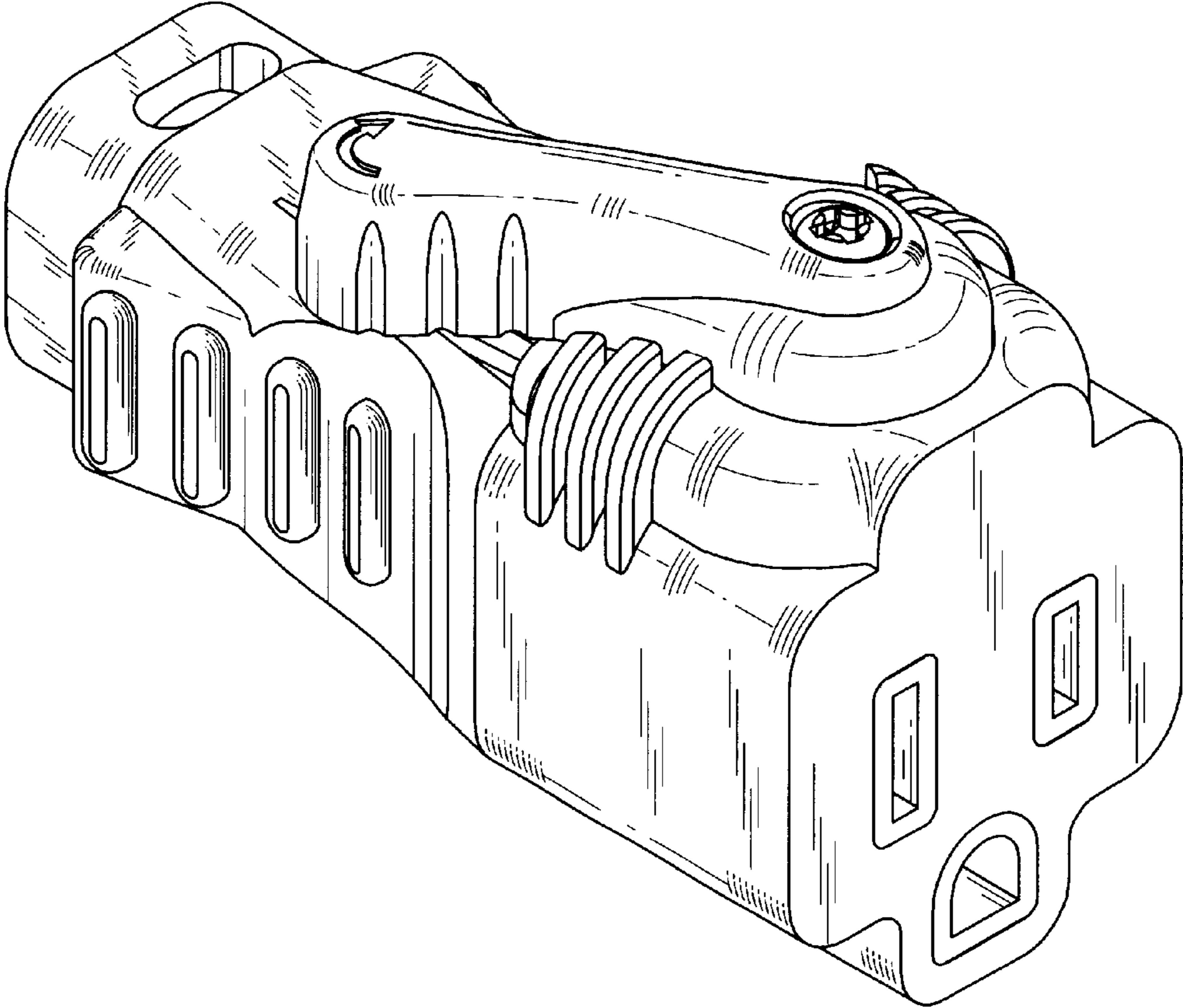


Fig. 1

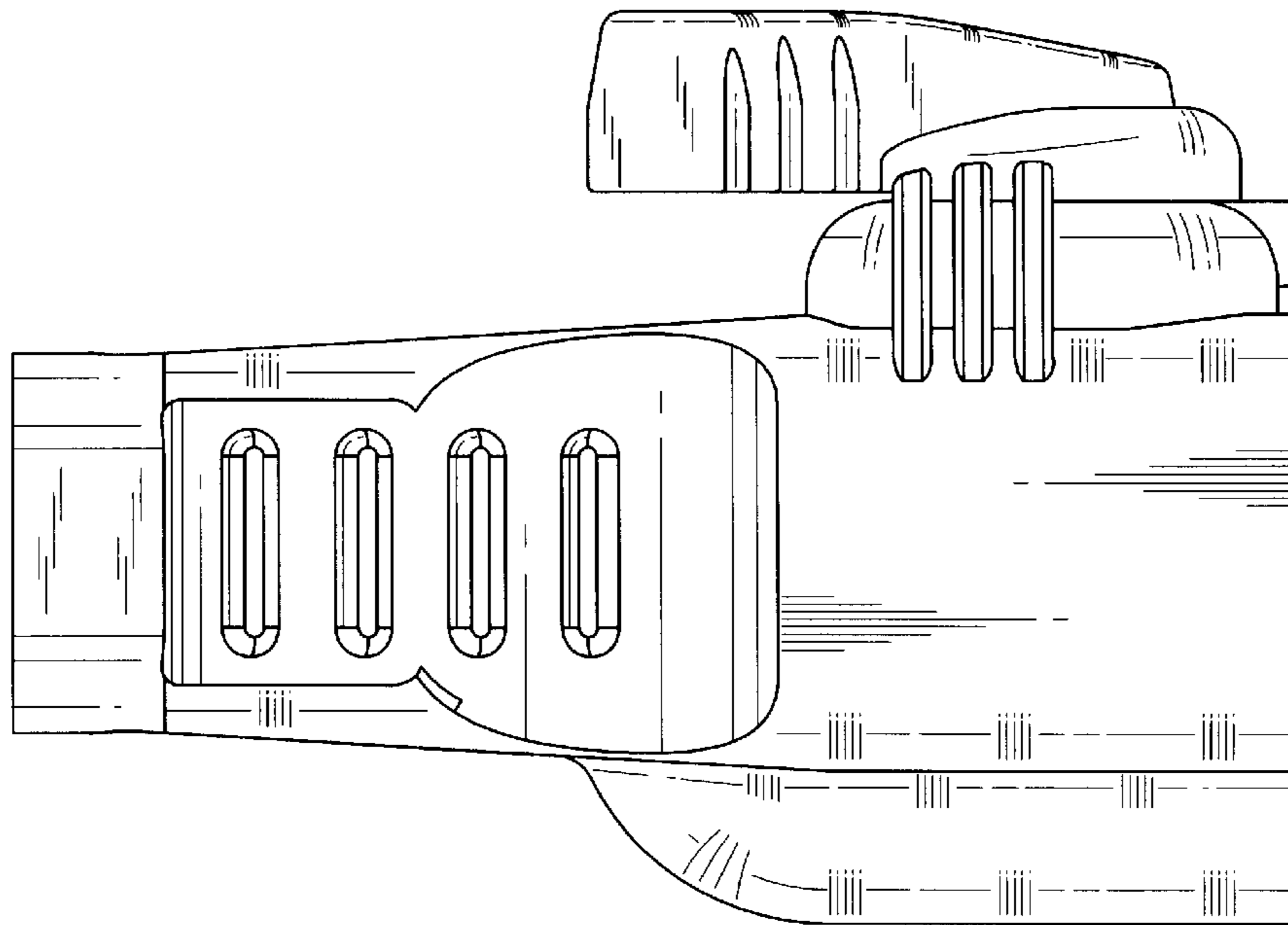


Fig. 2

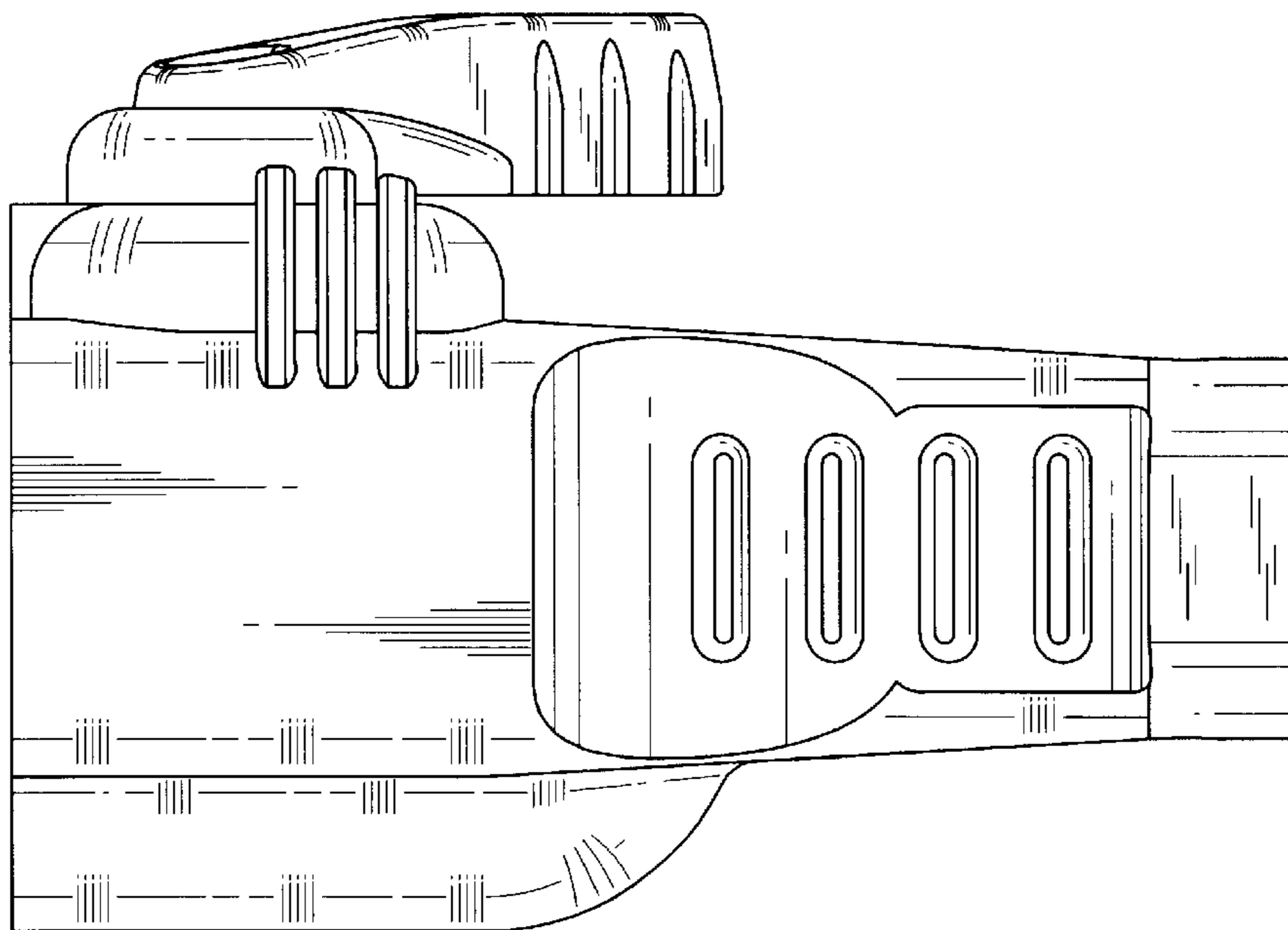


Fig. 3

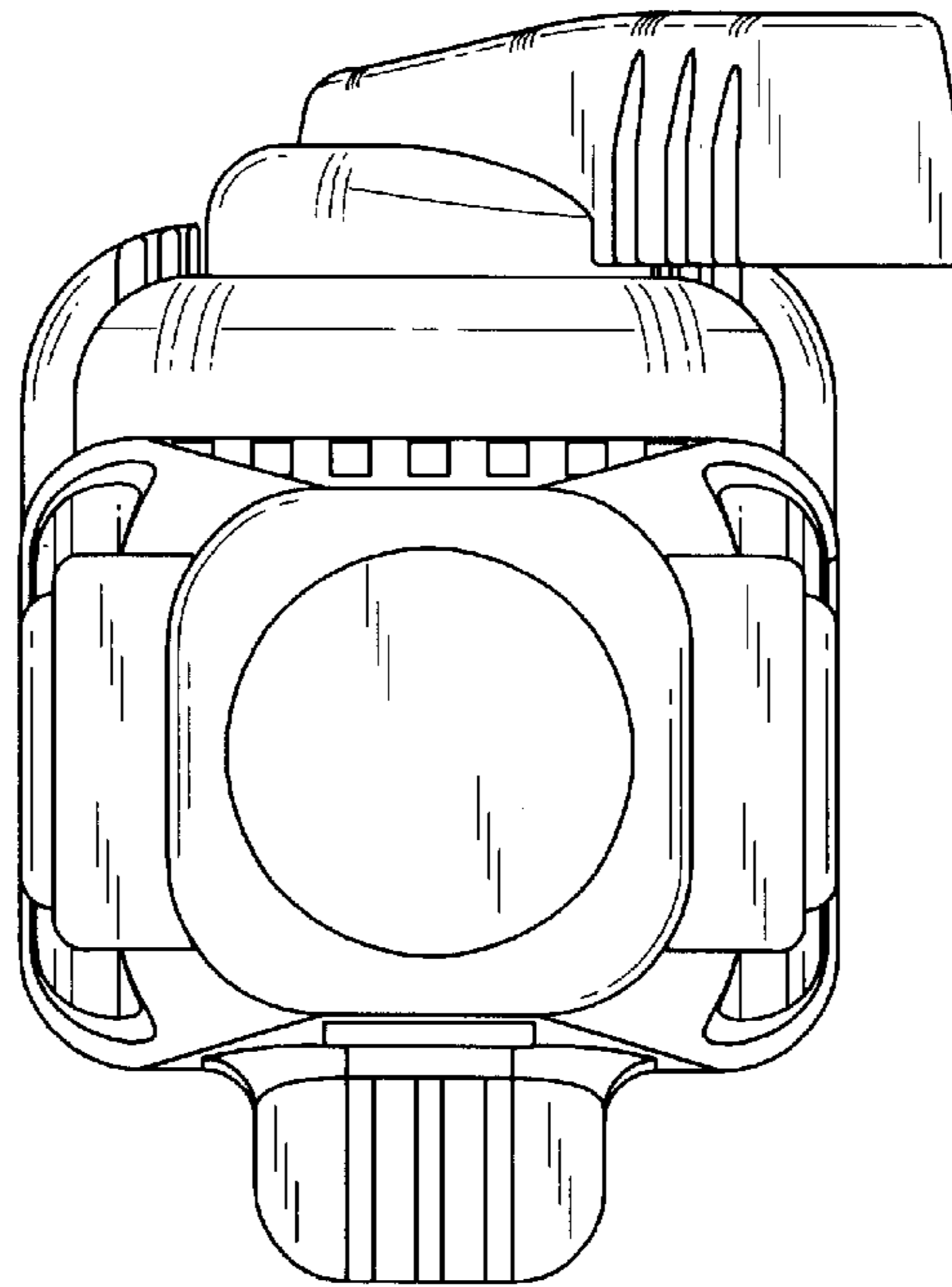


Fig. 4

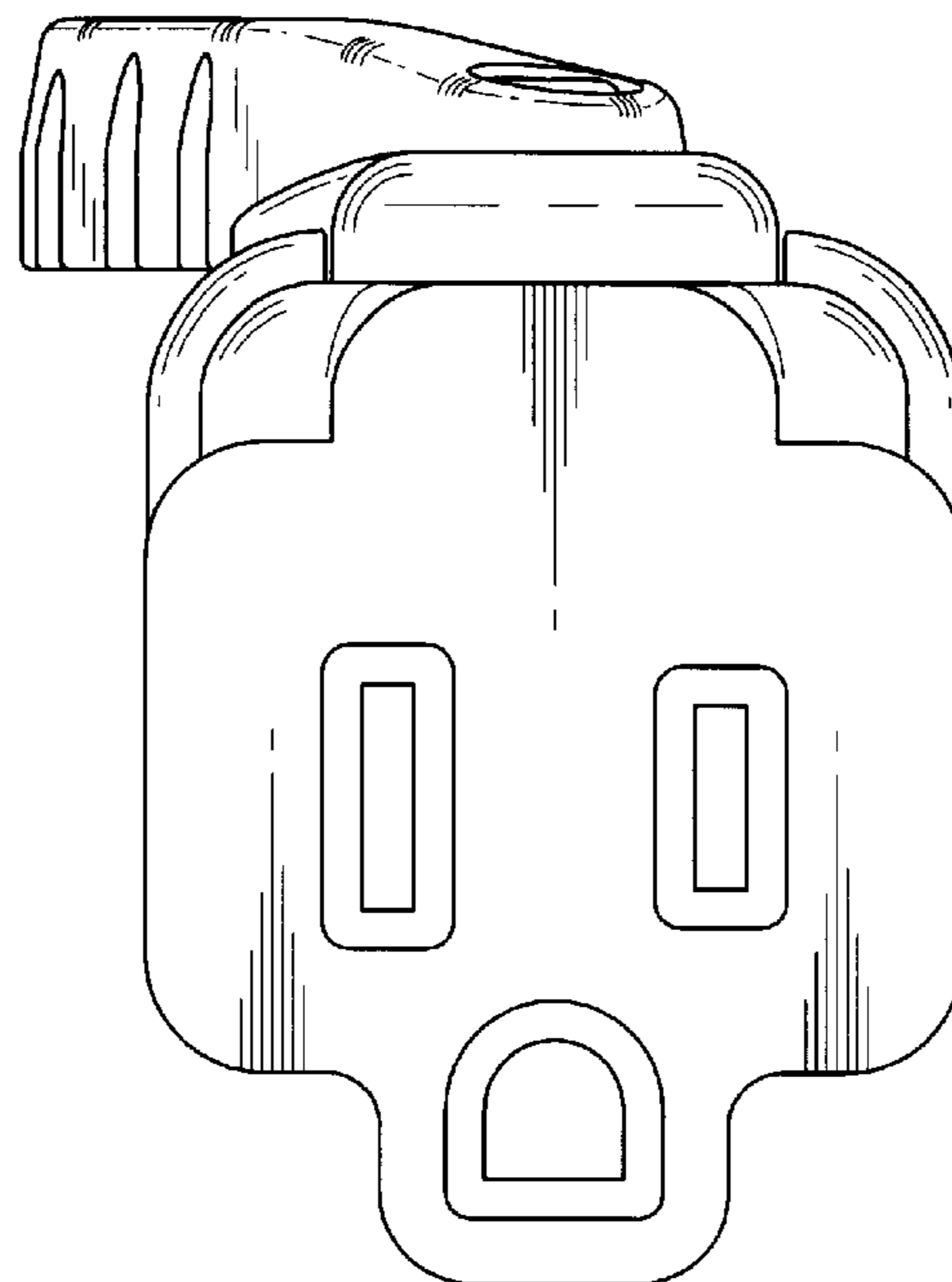


Fig. 5

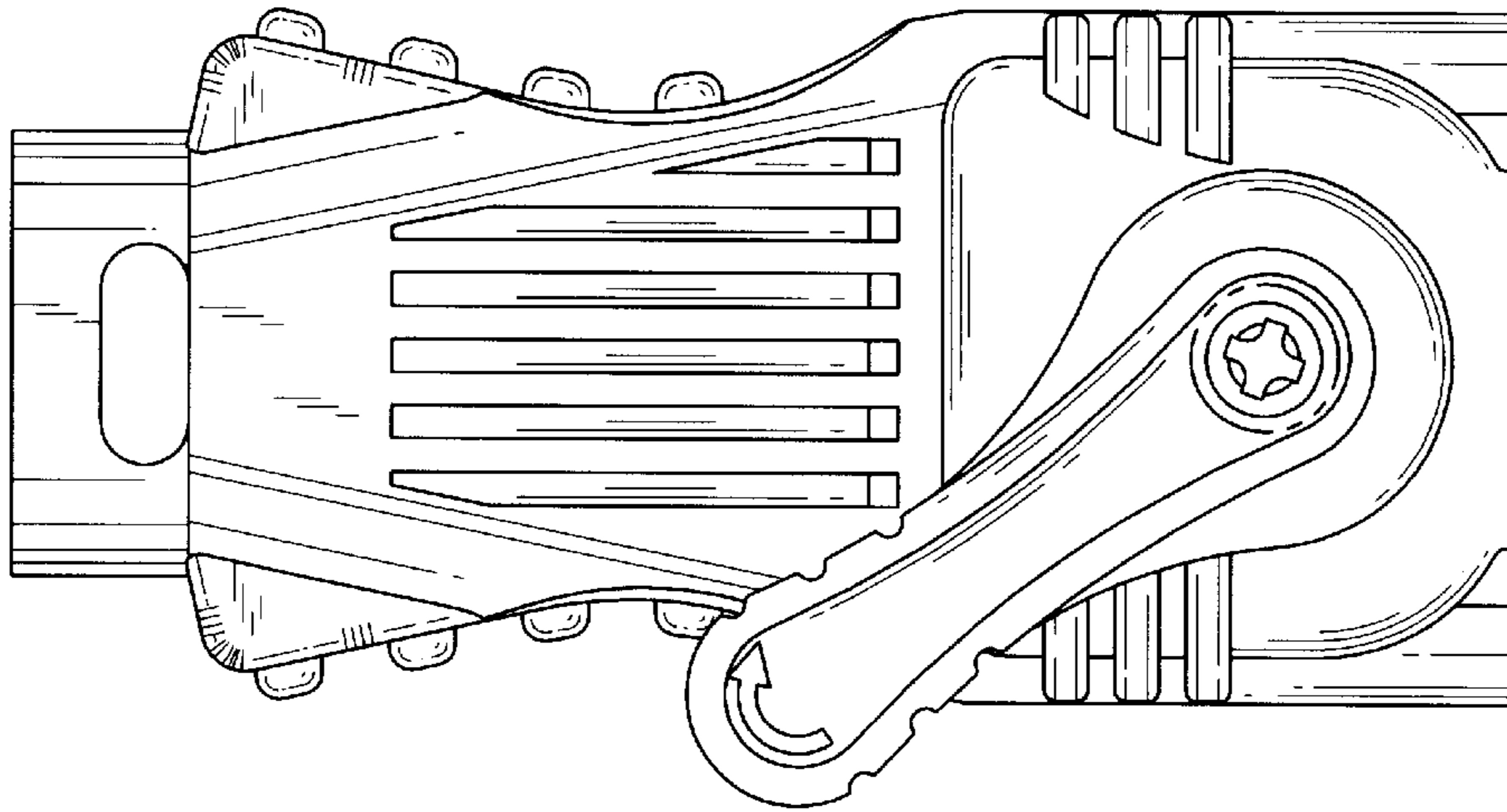


Fig. 6

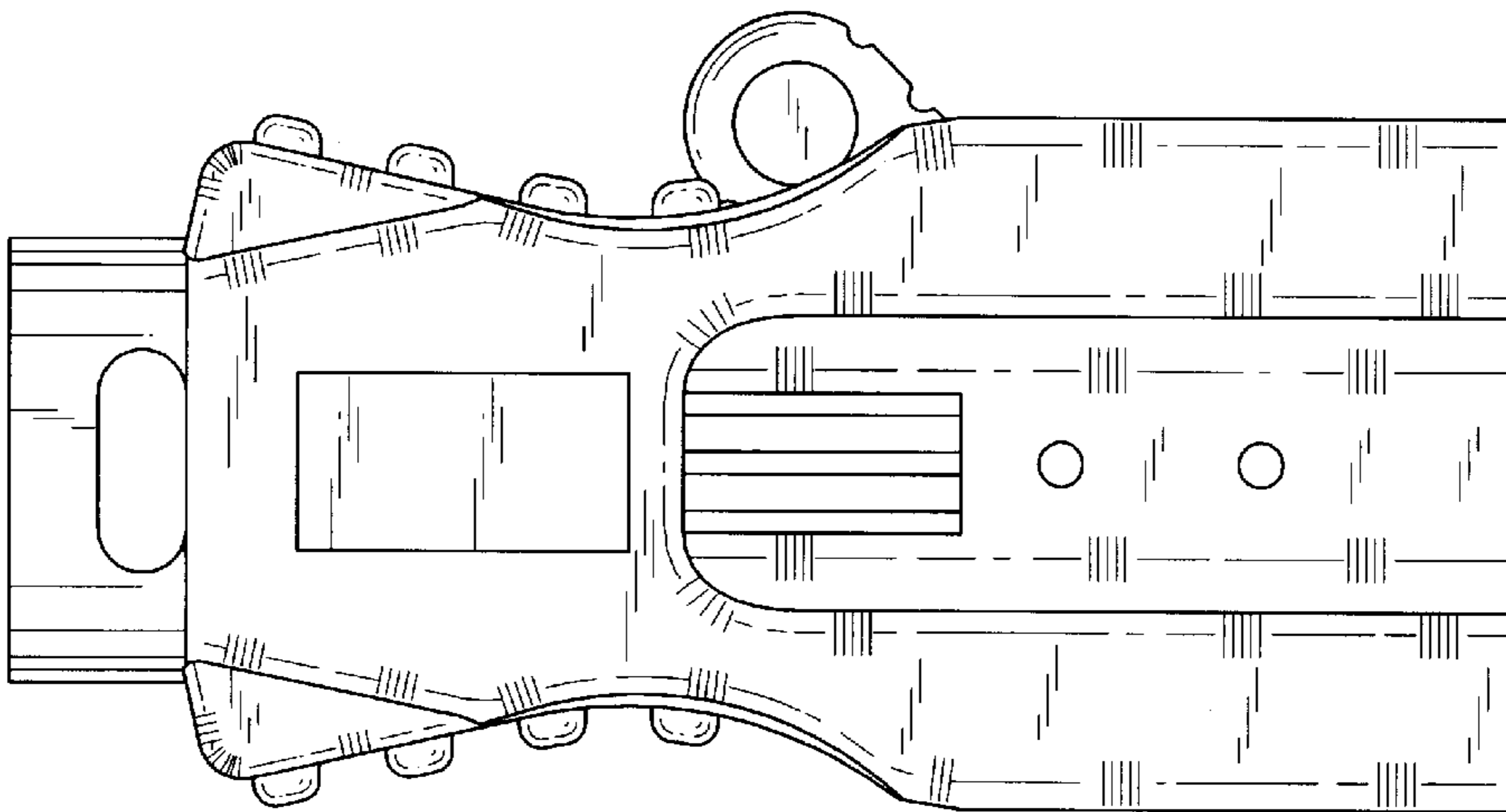


Fig. 7