



US00D534124S

(12) **United States Design Patent**
Taguchi

(10) **Patent No.:** **US D534,124 S**
(45) **Date of Patent:** **** Dec. 26, 2006**

(54) **CONNECTOR**

(75) Inventor: **Hiroyuki Taguchi**, Kanagawa (JP)

(73) Assignee: **J.S.T. Mfg. Co., Ltd.**, Osaka (JP)

(**) Term: **14 Years**

(21) Appl. No.: **29/217,043**

(22) Filed: **Nov. 15, 2004**

(30) **Foreign Application Priority Data**

May 14, 2004 (JP) 2004-014304

(51) **LOC (8) Cl.** **13-03**

(52) **U.S. Cl.** **D13/133**

(58) **Field of Classification Search** D13/133,
D13/146, 154, 184, 199; 381/384, 394; 439/79,
439/188, 278, 607, 668, 894
See application file for complete search history.

(56) **References Cited**

U.S. PATENT DOCUMENTS

4,946,400	A	*	8/1990	Kawai et al.	439/79
5,797,769	A	*	8/1998	Yang et al.	439/571
D431,528	S	*	10/2000	Zhu et al.	D13/133
D435,015	S	*	12/2000	Wang	D13/133
6,231,396	B1	*	5/2001	Huang	439/668
6,280,245	B1	*	8/2001	Han	439/541.5
6,312,267	B1	*	11/2001	Wang	439/92
6,322,397	B1	*	11/2001	Zhang	439/668
D461,771	S	*	8/2002	Zhao et al.	D13/133
2006/0160427	A1	*	7/2006	Yin	439/668

FOREIGN PATENT DOCUMENTS

JP	D1076113	S	6/2000
JP	D1108481	S	5/2001
JP	D1108696	S	5/2001
JP	D1133754	S	2/2002
JP	D1138431	S	4/2002
JP	D1170080	S	4/2003
JP	D1170081	S	4/2003
JP	D1182847	S	8/2003
JP	D1182848	S	8/2003

* cited by examiner

Primary Examiner—Nanda Bondade

Assistant Examiner—Daniel Bui

(74) *Attorney, Agent, or Firm*—Rader, Fishman & Grauer PLLC

(57) **CLAIM**

The ornamental design for a connector, as shown.

DESCRIPTION

FIG. 1 is a front perspective view of a connector showing my new design;

FIG. 2 is a rear perspective view thereof;

FIG. 3 is a front elevational view thereof;

FIG. 4 is a rear elevational view thereof;

FIG. 5 is a top plan view thereof;

FIG. 6 is a bottom plan view thereof;

FIG. 7 is a right side elevational view thereof; and,

FIG. 8 is a left side elevational view thereof.

1 Claim, 6 Drawing Sheets

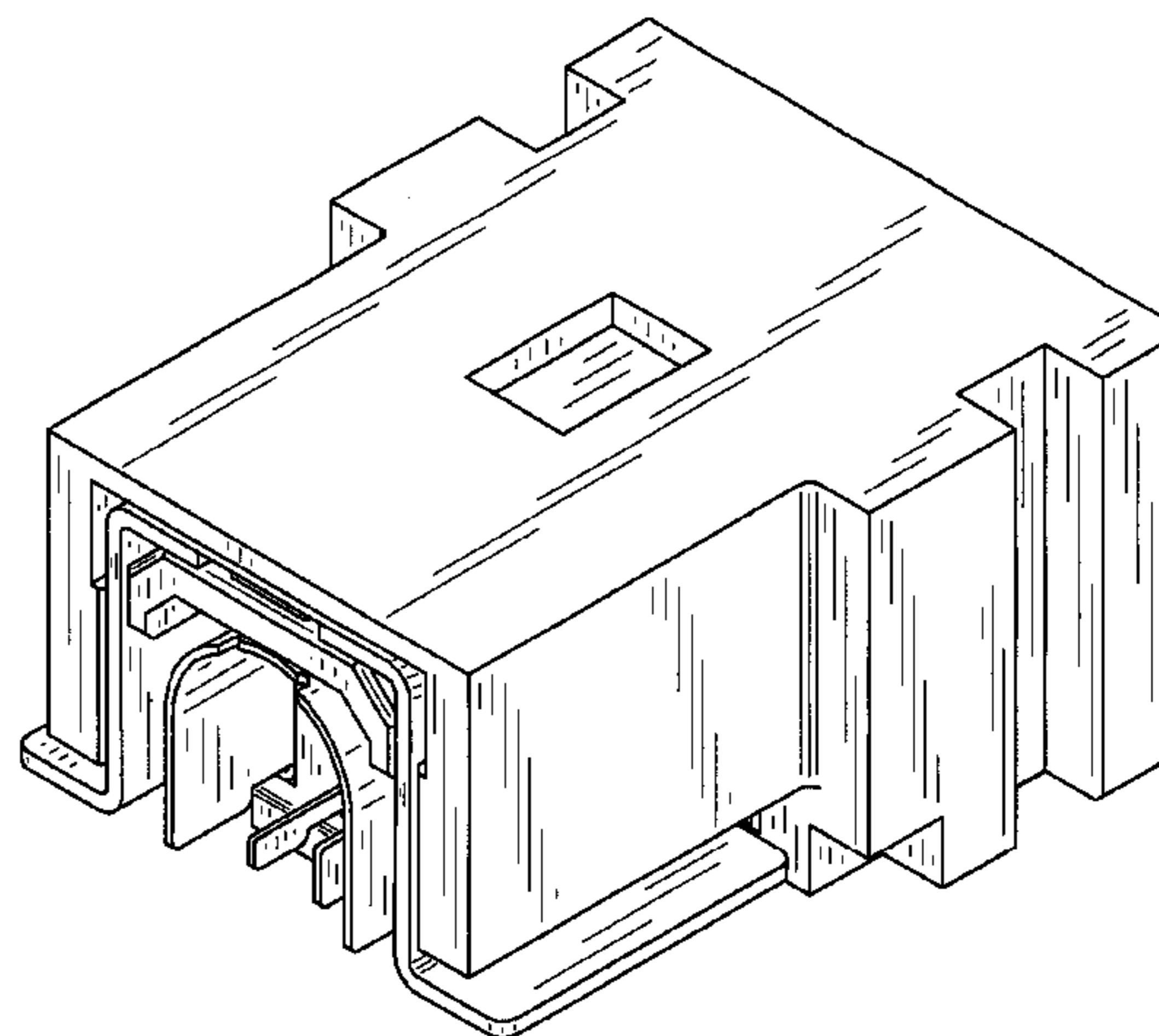
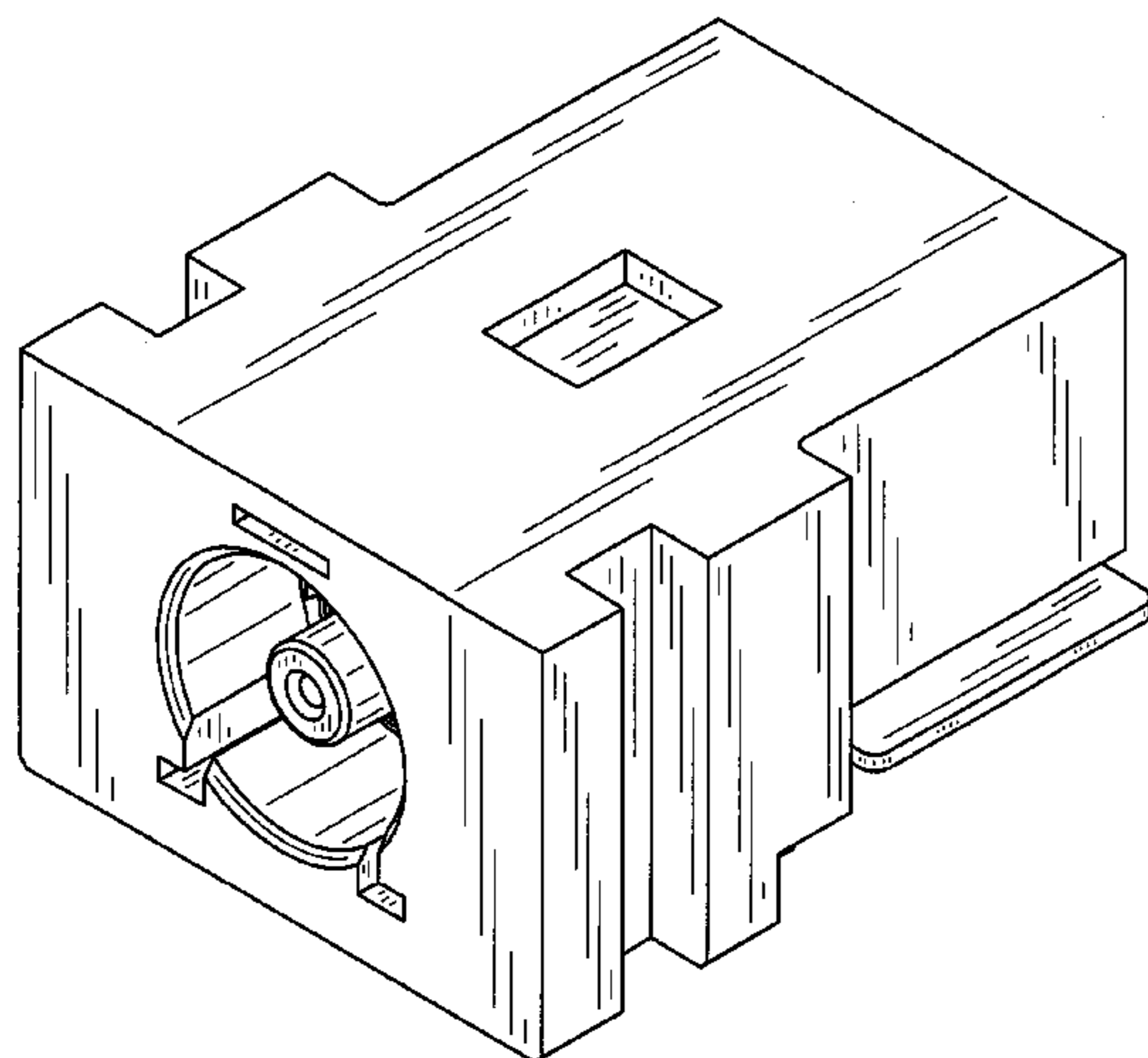


Fig.1

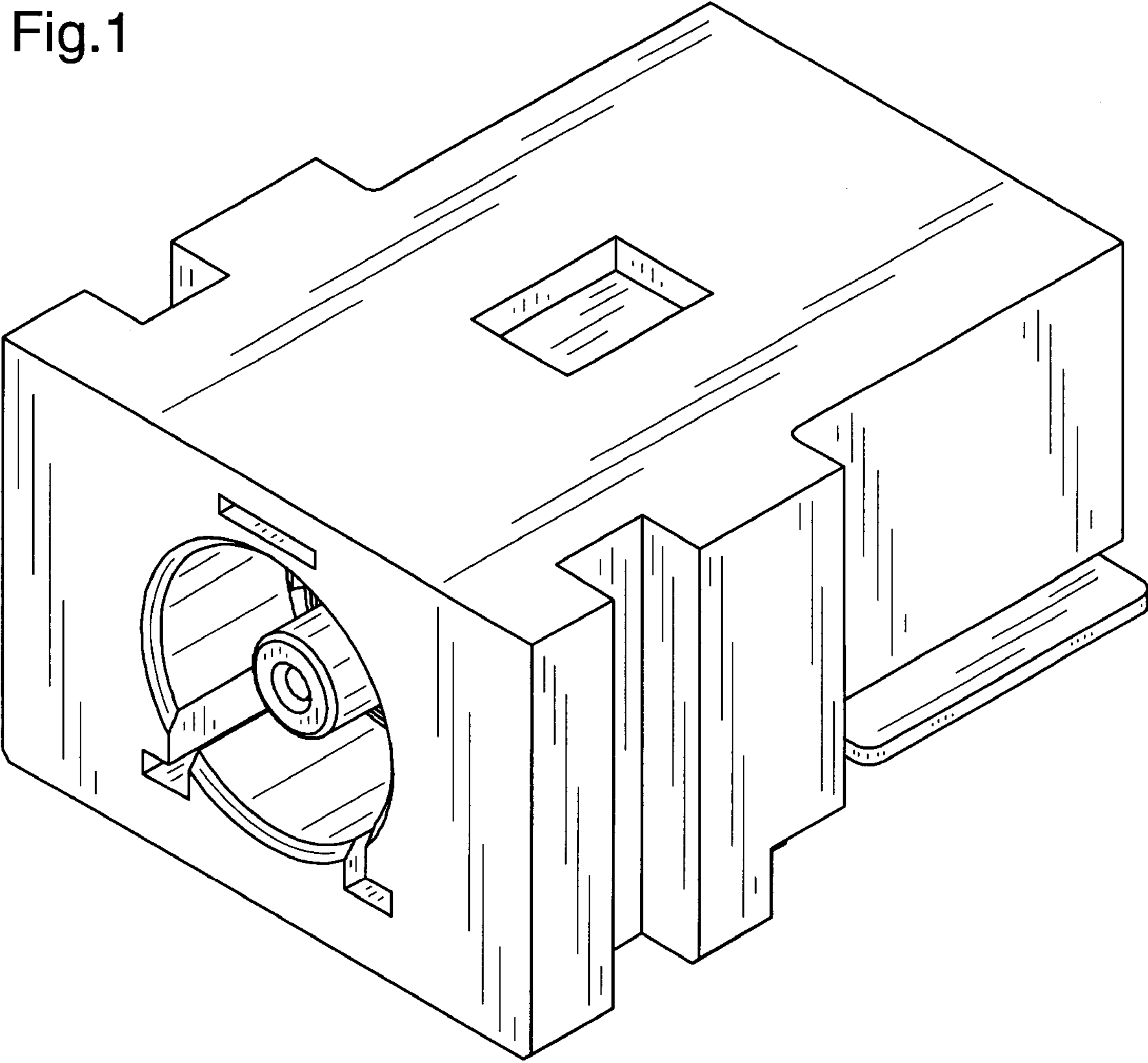


Fig.2

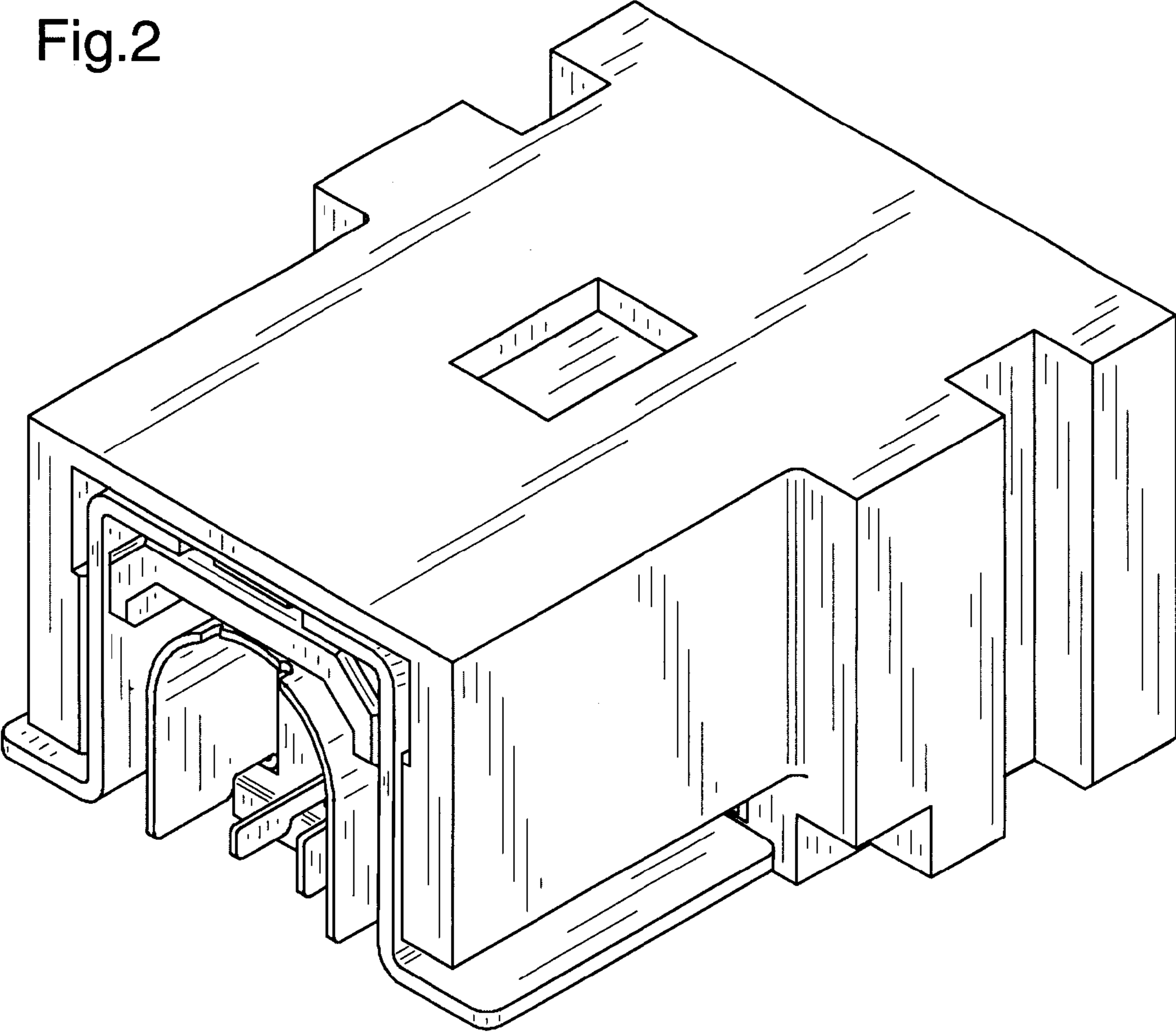


Fig.3

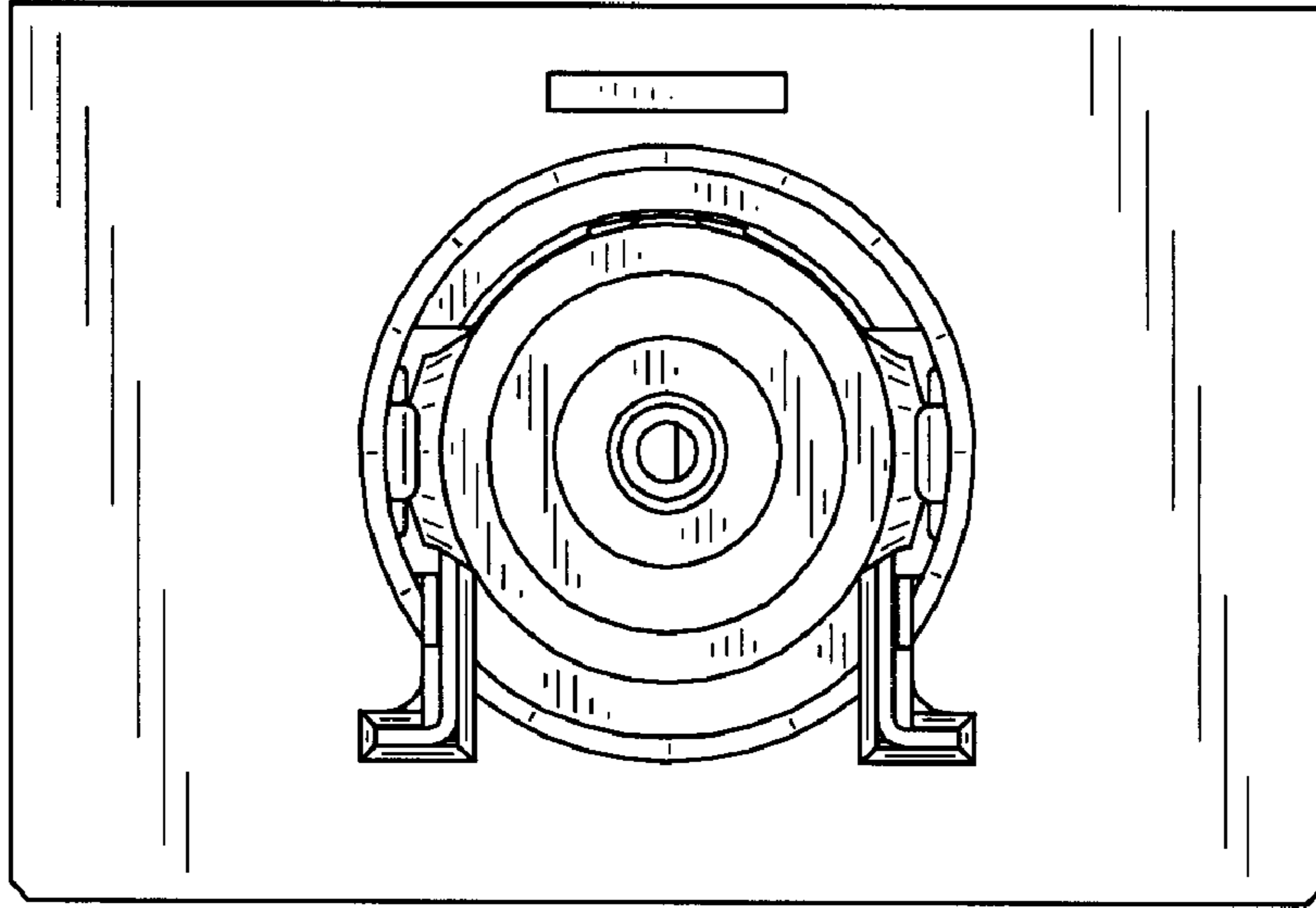


Fig.4

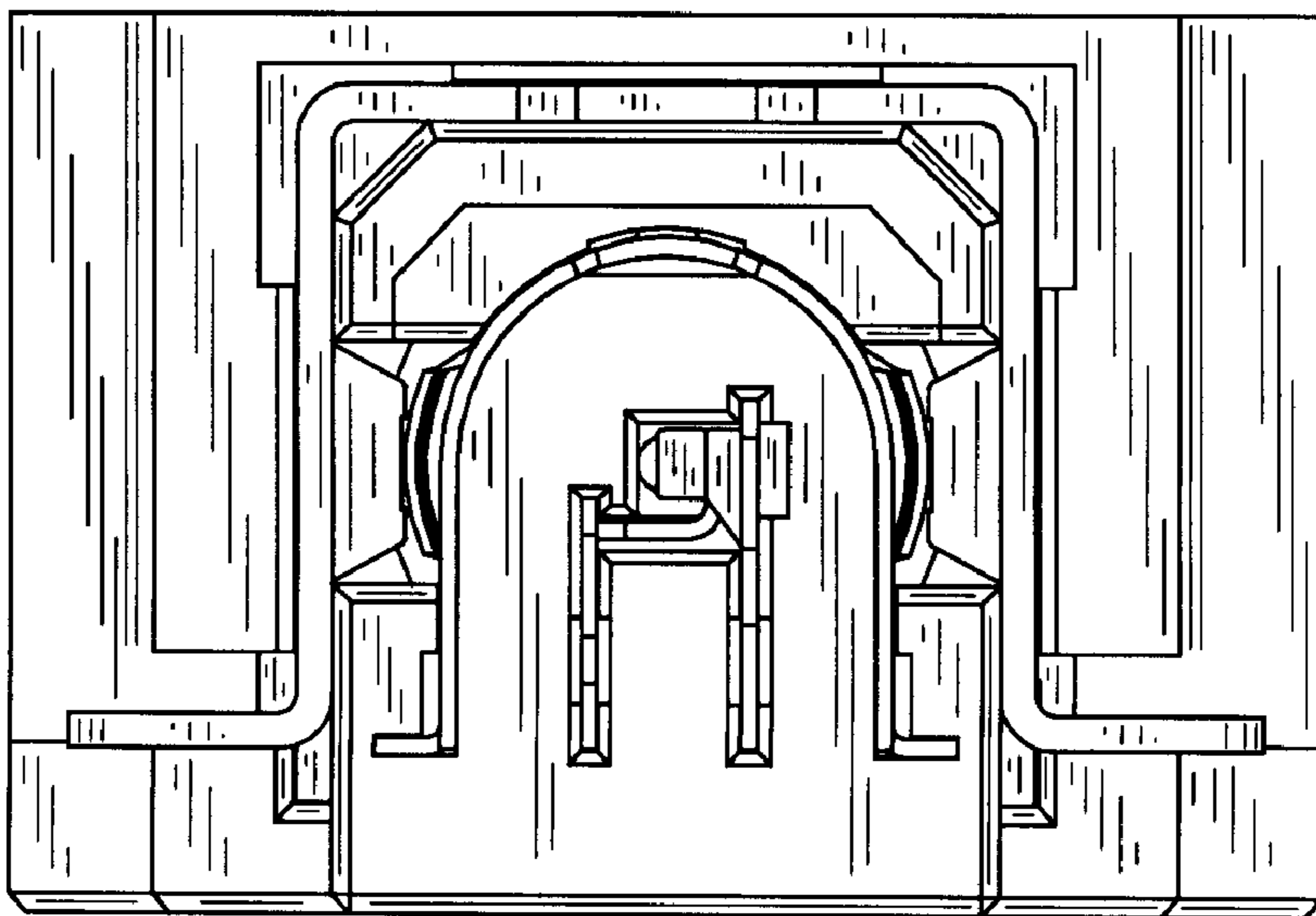


Fig.5

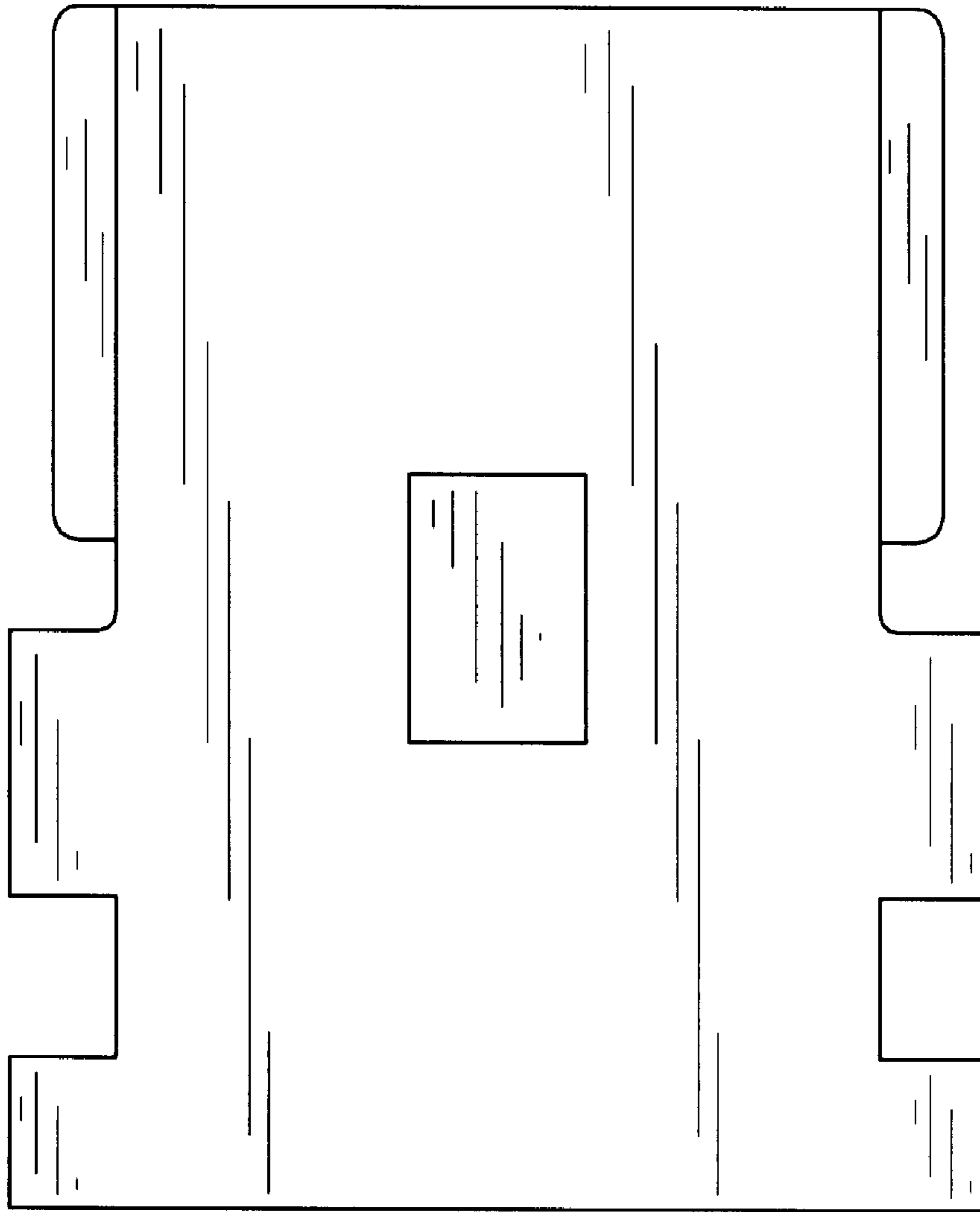


Fig.6

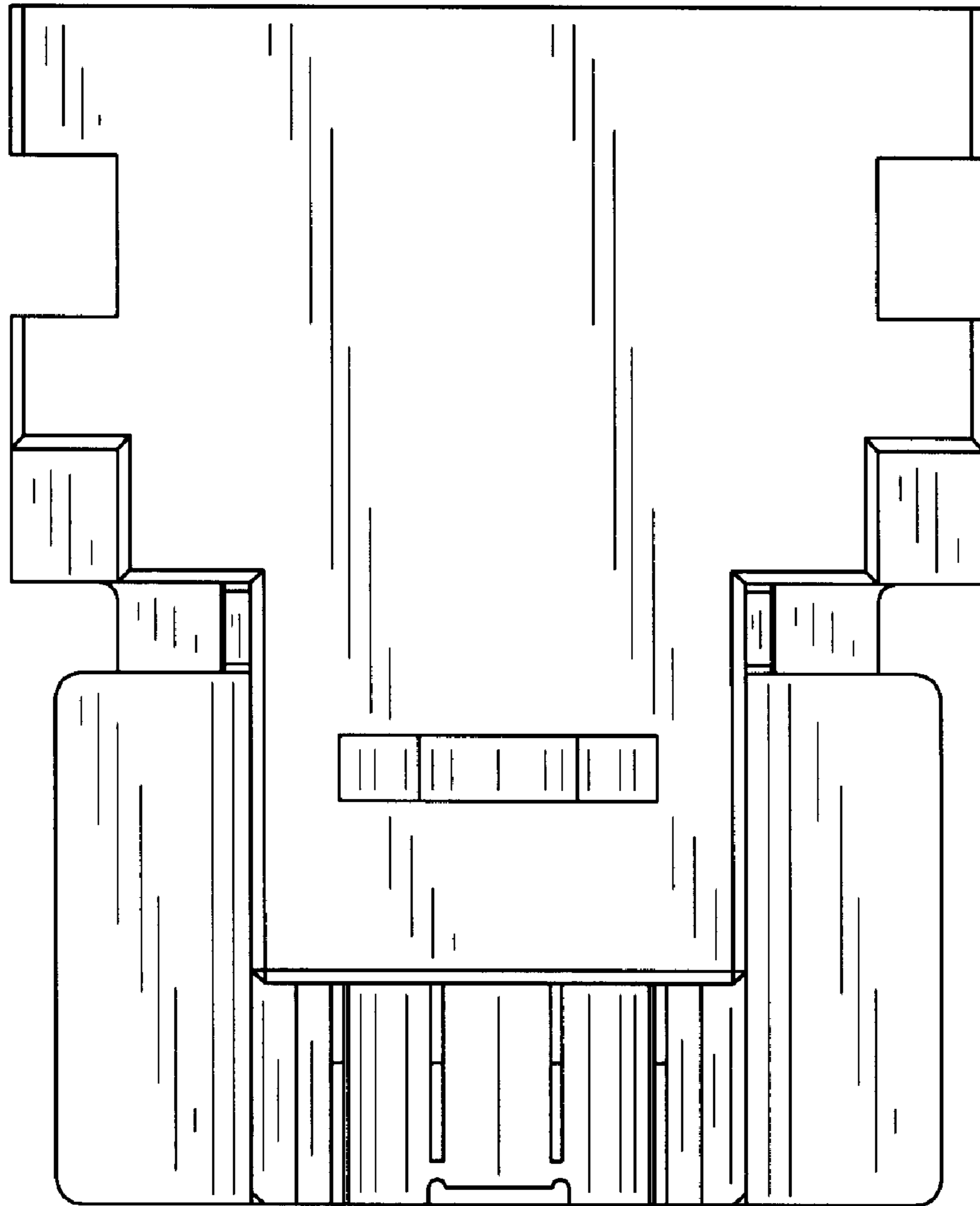


Fig.7

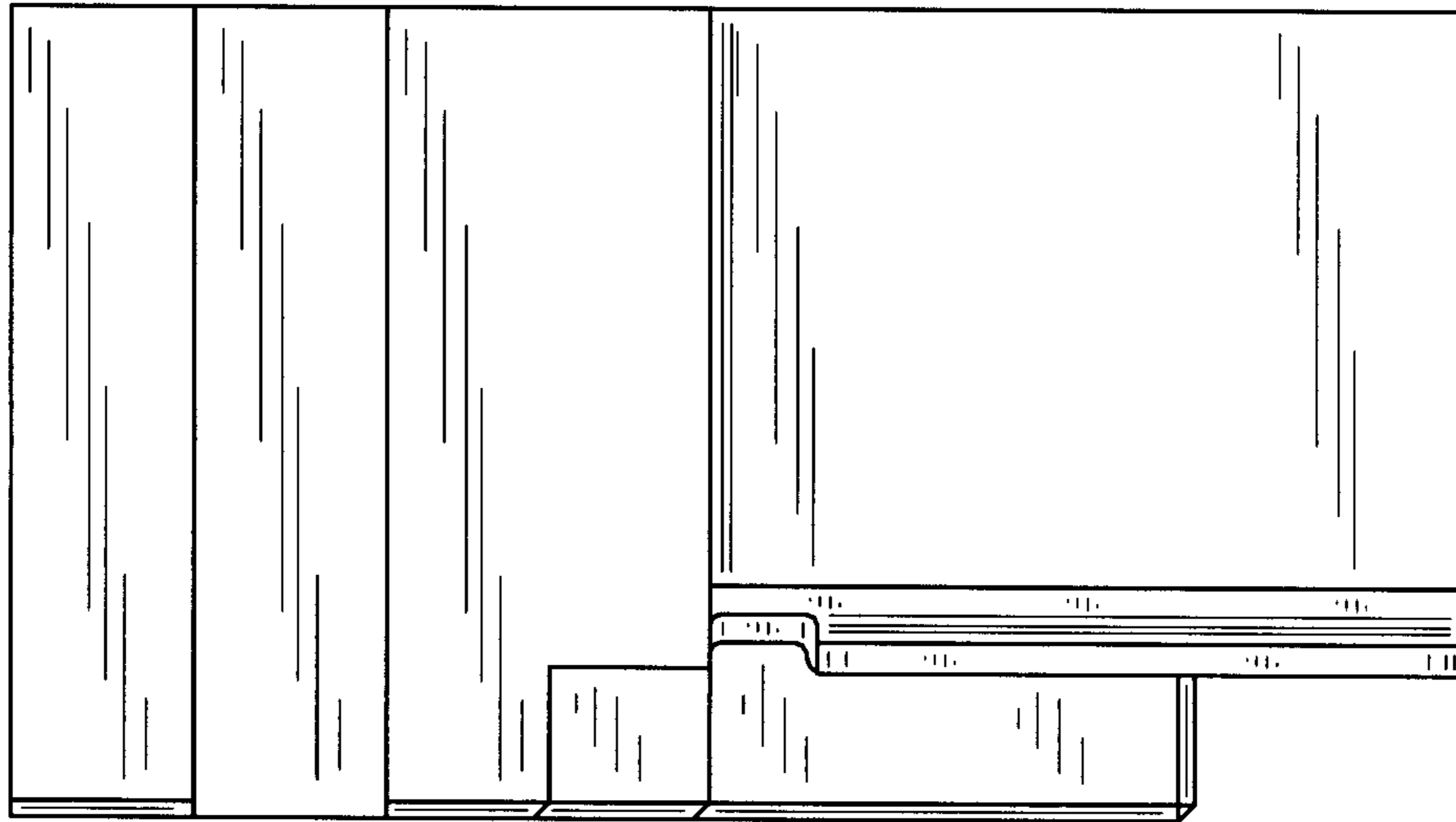


Fig.8

