



US00D534123S

(12) **United States Design Patent**  
**Lin**

(10) **Patent No.:** **US D534,123 S**

(45) **Date of Patent:** **\*\* Dec. 26, 2006**

(54) **EARPHONE JACK**

(75) Inventor: **Meng-Chin Lin**, Hsi-Tun Dist. (TW)

(73) Assignee: **Excel Cell Electronic Co., Ltd.** (TW)

(\*\*) Term: **14 Years**

(21) Appl. No.: **29/211,534**

(22) Filed: **Aug. 18, 2004**

(51) **LOC (8) Cl.** ..... **13-03**

(52) **U.S. Cl.** ..... **D13/133**

(58) **Field of Classification Search** ..... D13/133,  
D13/146, 154, 184, 199; 381/384, 394; 439/188,  
439/278, 607, 668, 894

See application file for complete search history.

(56) **References Cited**

**U.S. PATENT DOCUMENTS**

D431,528 S	*	10/2000	Zhu et al.	.....	D13/133
6,213,812 B1	*	4/2001	Kan	.....	439/607
D446,770 S	*	8/2001	Zheng et al.	.....	D13/133
D450,299 S	*	11/2001	Ma et al.	.....	D13/133
D461,771 S	*	8/2002	Zhao et al.	.....	D13/133
D461,773 S	*	8/2002	Li et al.	.....	D13/133
6,461,198 B1	*	10/2002	Chao	.....	439/668

6,575,793 B1 \* 6/2003 Li et al. .... 439/668

6,595,804 B1 \* 7/2003 Nagata ..... 439/668

D490,234 S \* 5/2004 Masaki ..... D13/133

D502,685 S \* 3/2005 Shimojo ..... D13/133

D506,727 S \* 6/2005 Taguchi ..... D13/133

D507,531 S \* 7/2005 Suzuki ..... D13/133

\* cited by examiner

*Primary Examiner*—Nanda Bondade

*Assistant Examiner*—Daniel Bui

(74) *Attorney, Agent, or Firm*—Banner & Witcoff, Ltd.

(57) **CLAIM**

The ornamental design for an earphone jack, as shown and described.

**DESCRIPTION**

FIG. 1 is a perspective view of an earphone jack showing my new design;

FIG. 2 is a front elevational view thereof;

FIG. 3 is a rear elevational view thereof;

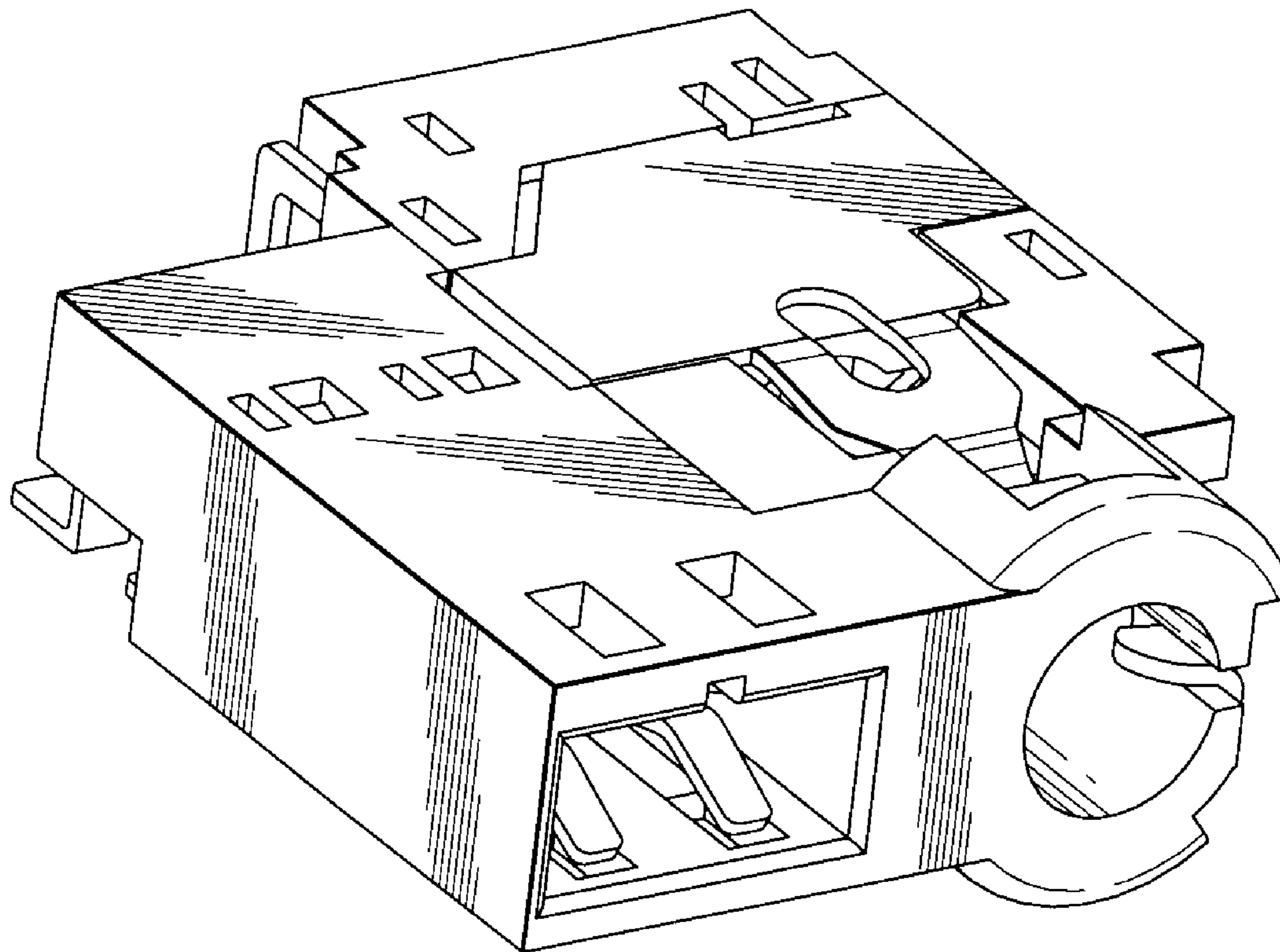
FIG. 4 is a left side elevational view thereof;

FIG. 5 is a right side elevational view thereof;

FIG. 6 is a top plan view thereof; and,

FIG. 7 is a bottom plan view thereof.

**1 Claim, 5 Drawing Sheets**



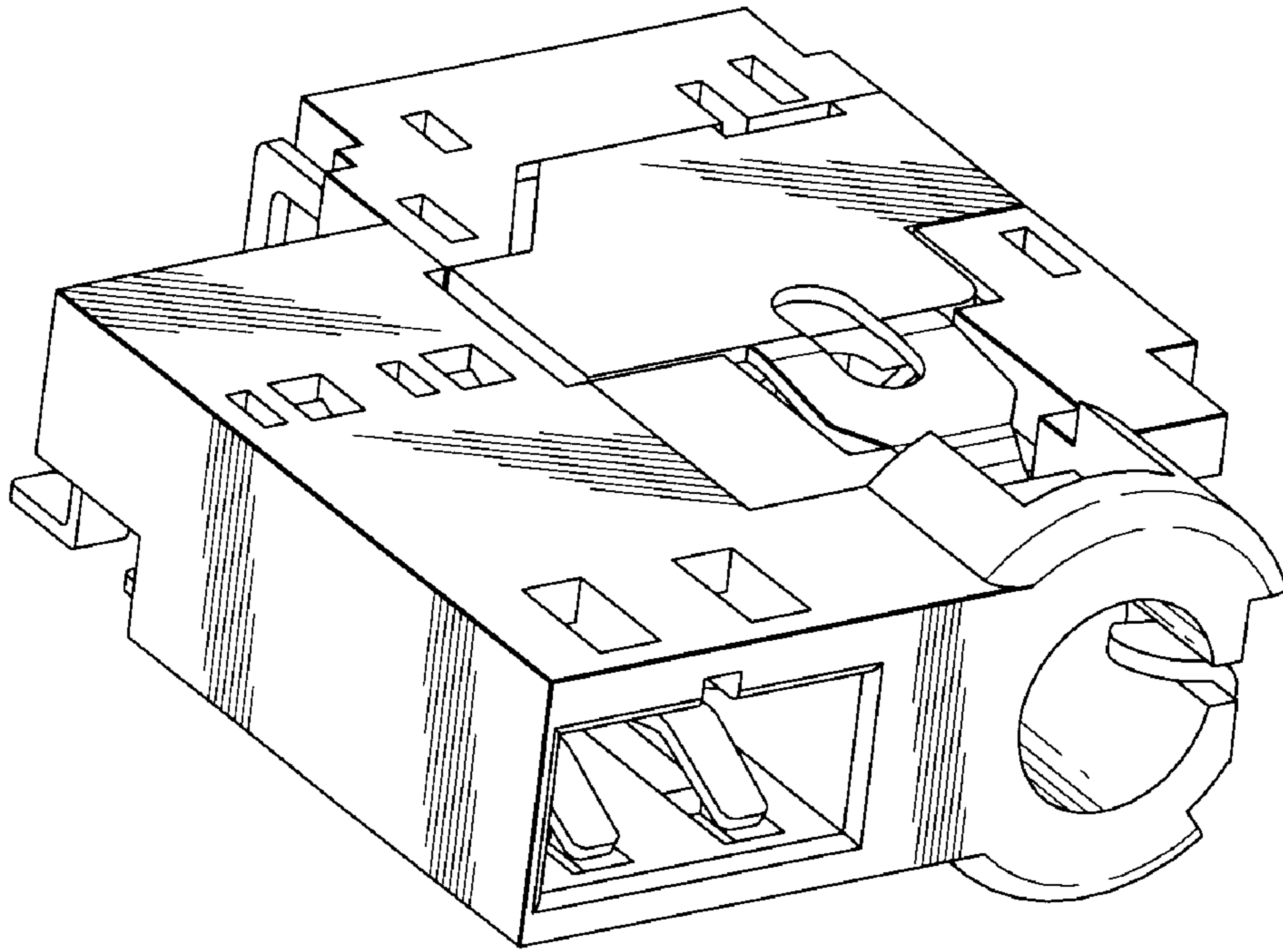


FIG. 1

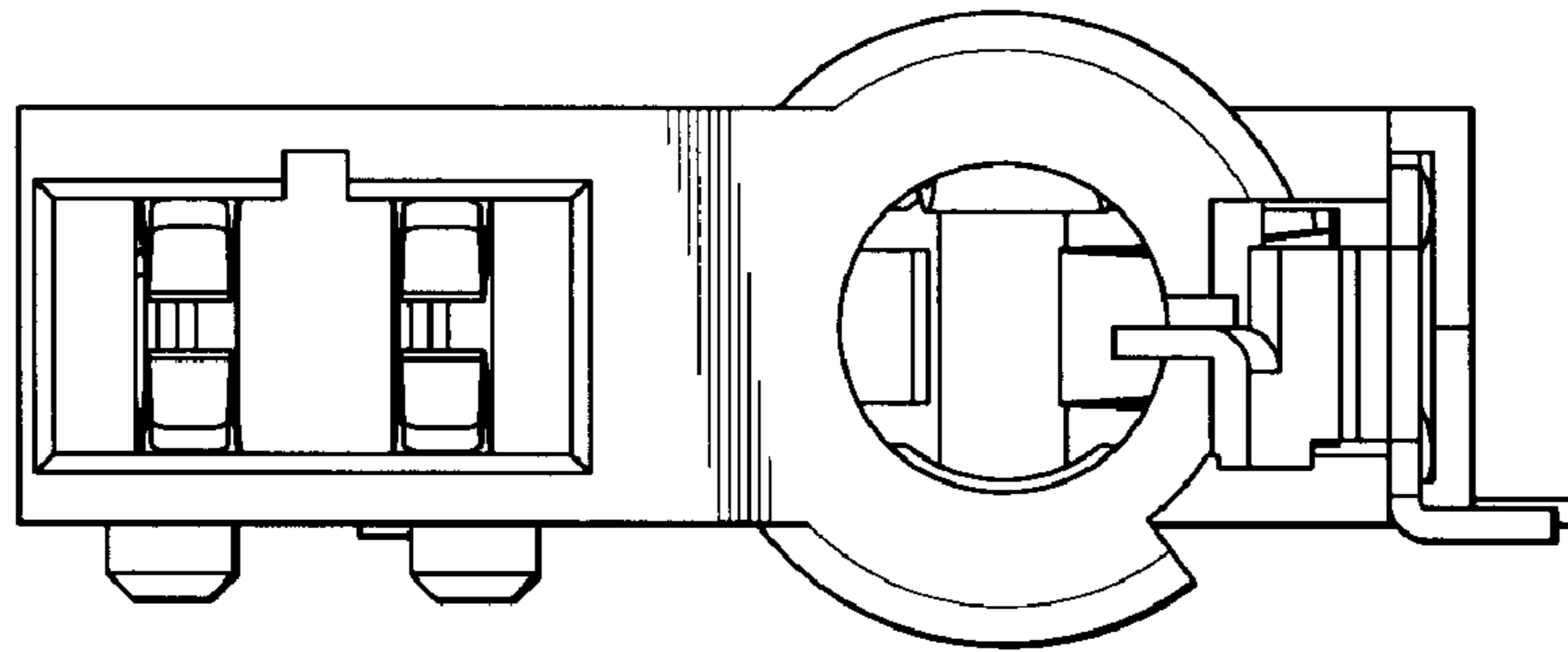


FIG. 2

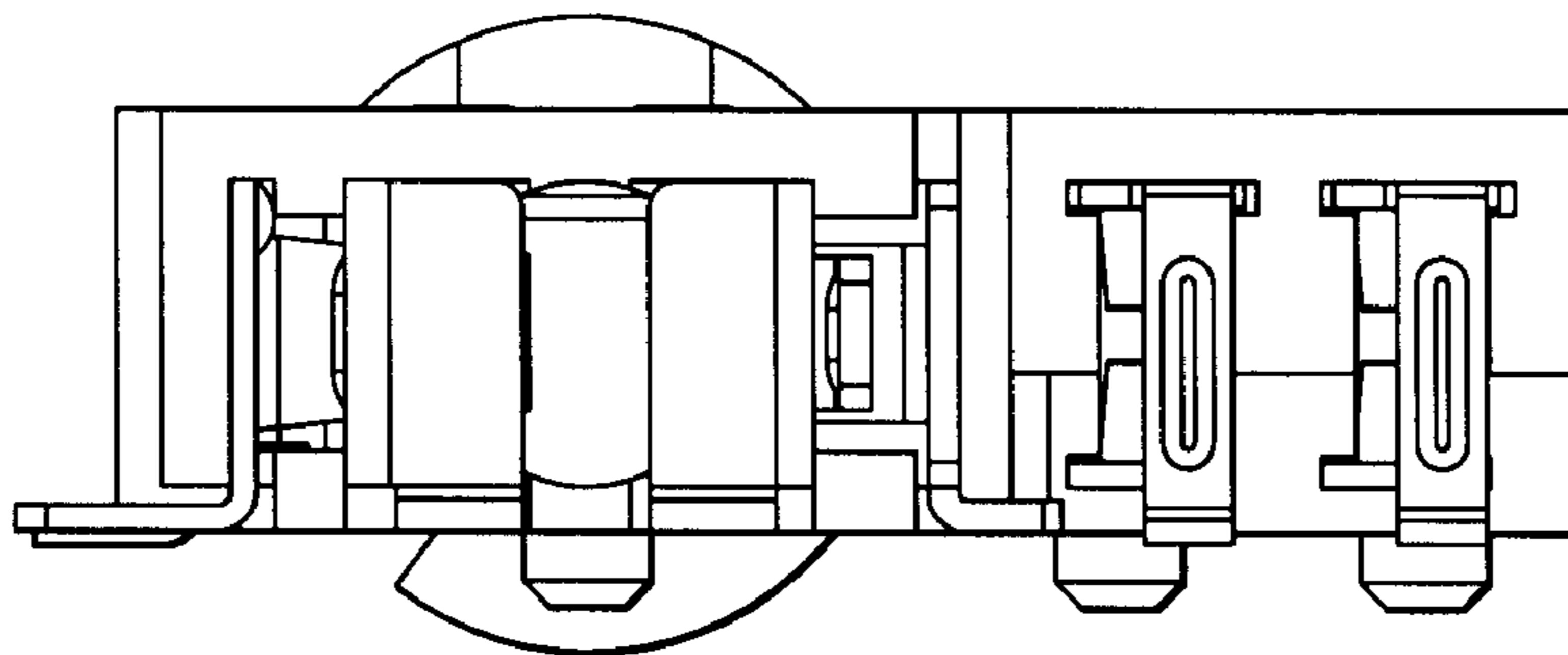


FIG. 3

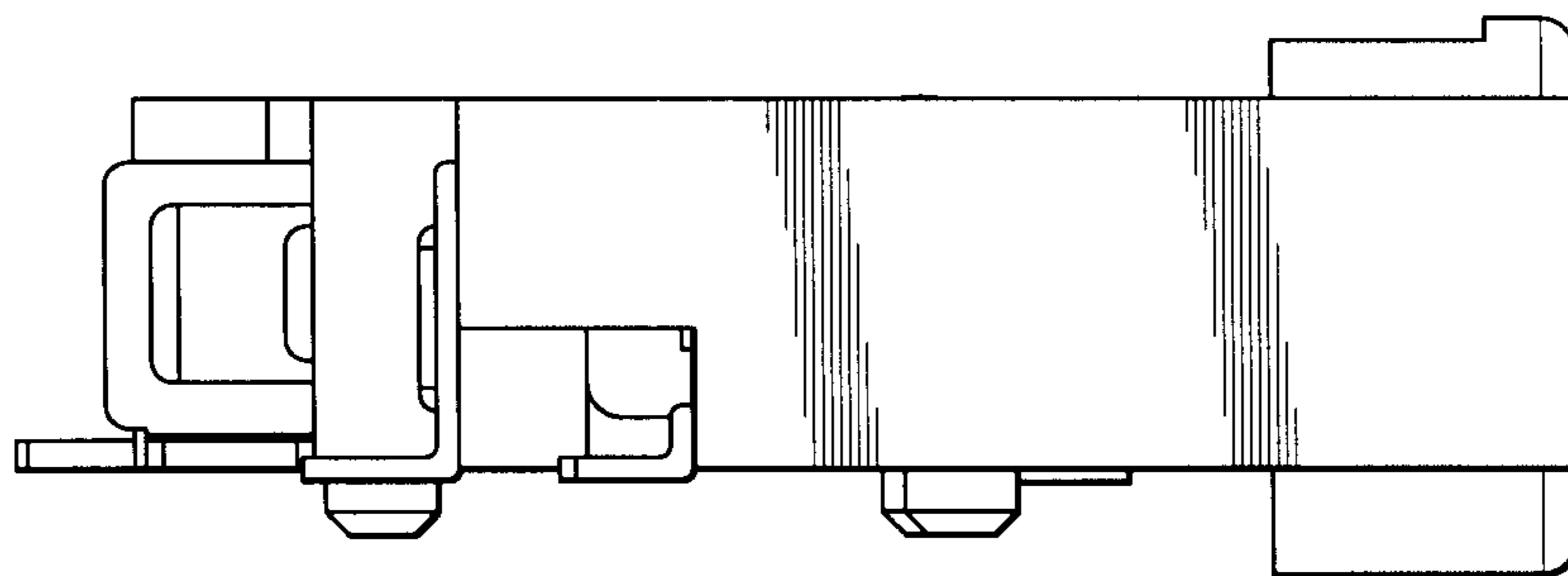


FIG. 4

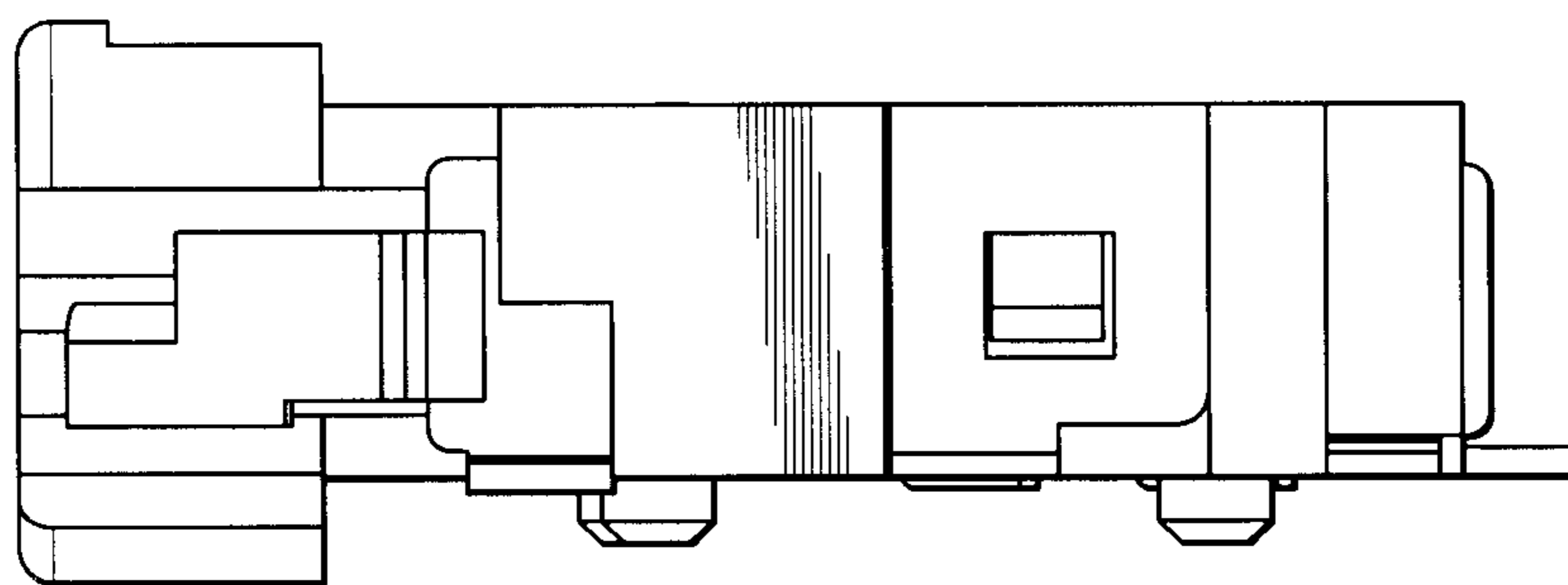


FIG. 5

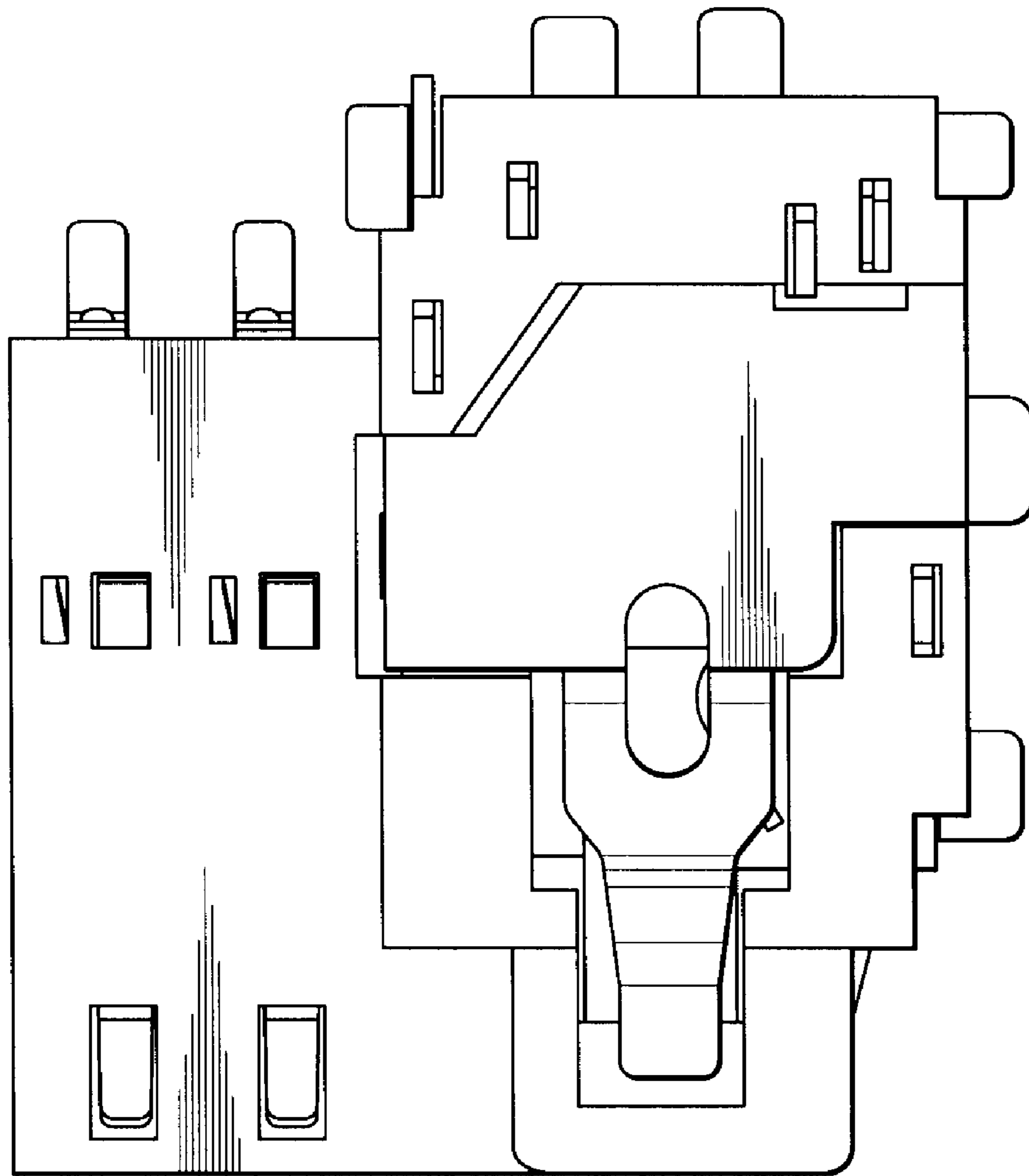


FIG. 6

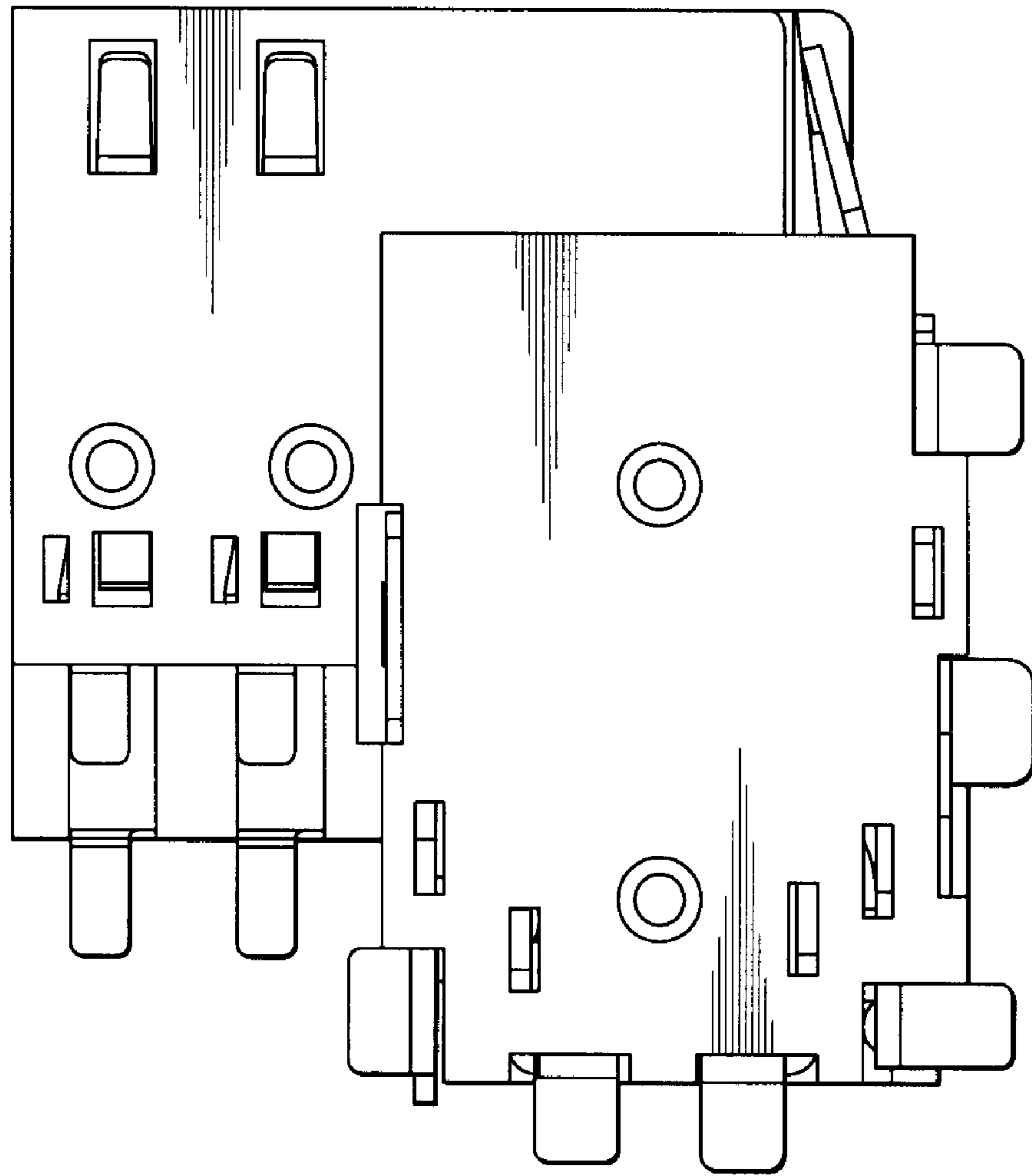


FIG. 7