



US00D534122S

(12) **United States Design Patent** (10) **Patent No.:** **US D534,122 S**
Buck (45) **Date of Patent:** **** Dec. 26, 2006**

(54) **BATTERY PACK TERMINAL AND HOUSING**

(75) Inventor: **John E. Buck**, Cockeysville, MD (US)

(73) Assignee: **Black & Decker Inc.**, Newark, DE (US)

(**) Term: **14 Years**

(21) Appl. No.: **29/228,871**

(22) Filed: **Apr. 29, 2005**

Related U.S. Application Data

(63) Continuation of application No. 29/172,412, filed on Dec. 11, 2002, which is a continuation of application No. 29/162,019, filed on Jun. 7, 2002, which is a continuation of application No. 29/089,518, filed on Jun. 17, 1998, now Pat. No. Des. 463,774.

(51) **LOC (8) Cl.** **13-02**

(52) **U.S. Cl.** **D13/119**

(58) **Field of Classification Search** D13/102–106,
D13/110, 118–119, 184; 429/96–100, 121,
429/163, 176

See application file for complete search history.

(56) **References Cited**

U.S. PATENT DOCUMENTS

D300,132 S	*	3/1989	Culbertson et al.	D13/103
D320,974 S	*	10/1991	Culbertson	D13/103
5,551,883 A	*	9/1996	Davis	439/65
D379,795 S	*	6/1997	Pitzen et al.	D13/103
D384,031 S	*	9/1997	Lui	D13/103
D413,564 S	*	9/1999	Hershberger et al.	D13/103
D415,100 S	*	10/1999	Buck	D13/103
D419,522 S	*	1/2000	Kamagai	D13/120
D436,917 S	*	1/2001	Hayakawa et al.	D13/103
D447,122 S	*	8/2001	Harasawa et al.	D13/147
6,280,255 B1	*	8/2001	Wu et al.	439/660

D447,811 S	*	9/2001	Yiu	D24/215
D450,301 S	*	11/2001	Shimizu et al.	D13/147
D456,002 S	*	4/2002	Kato et al.	D13/103
D477,811 S	*	7/2003	Niwa et al.	D13/103
D481,672 S	*	11/2003	Niwa et al.	D13/103
D483,012 S	*	12/2003	Hsu	D13/103
D484,458 S	*	12/2003	Garvis et al.	D13/103
D503,922 S	*	4/2005	Shimizu	D13/103
D511,744 S	*	11/2005	Hsu et al.	D13/108
D512,373 S	*	12/2005	Tsai et al.	D13/108
D512,961 S	*	12/2005	Okuda et al.	D13/103
D516,504 S	*	3/2006	Okuda et al.	D13/103
D523,807 S	*	6/2006	Murayama et al.	D13/103
D524,728 S	*	7/2006	Watson	D13/103
2005/0072064 A1	*	4/2005	Patel et al.	52/79.5

* cited by examiner

Primary Examiner—Alan P. Douglas

Assistant Examiner—Rosemary K. Tarcza

(74) *Attorney, Agent, or Firm*—Adan Ayala

(57) **CLAIM**

The ornamental design for a battery pack terminal and housing, as shown and described.

DESCRIPTION

FIG. 1 is a front perspective view of a battery pack terminal and housing showing my new design.

FIG. 2 is a rear elevational view thereof.

FIG. 3 is a front elevational view thereof.

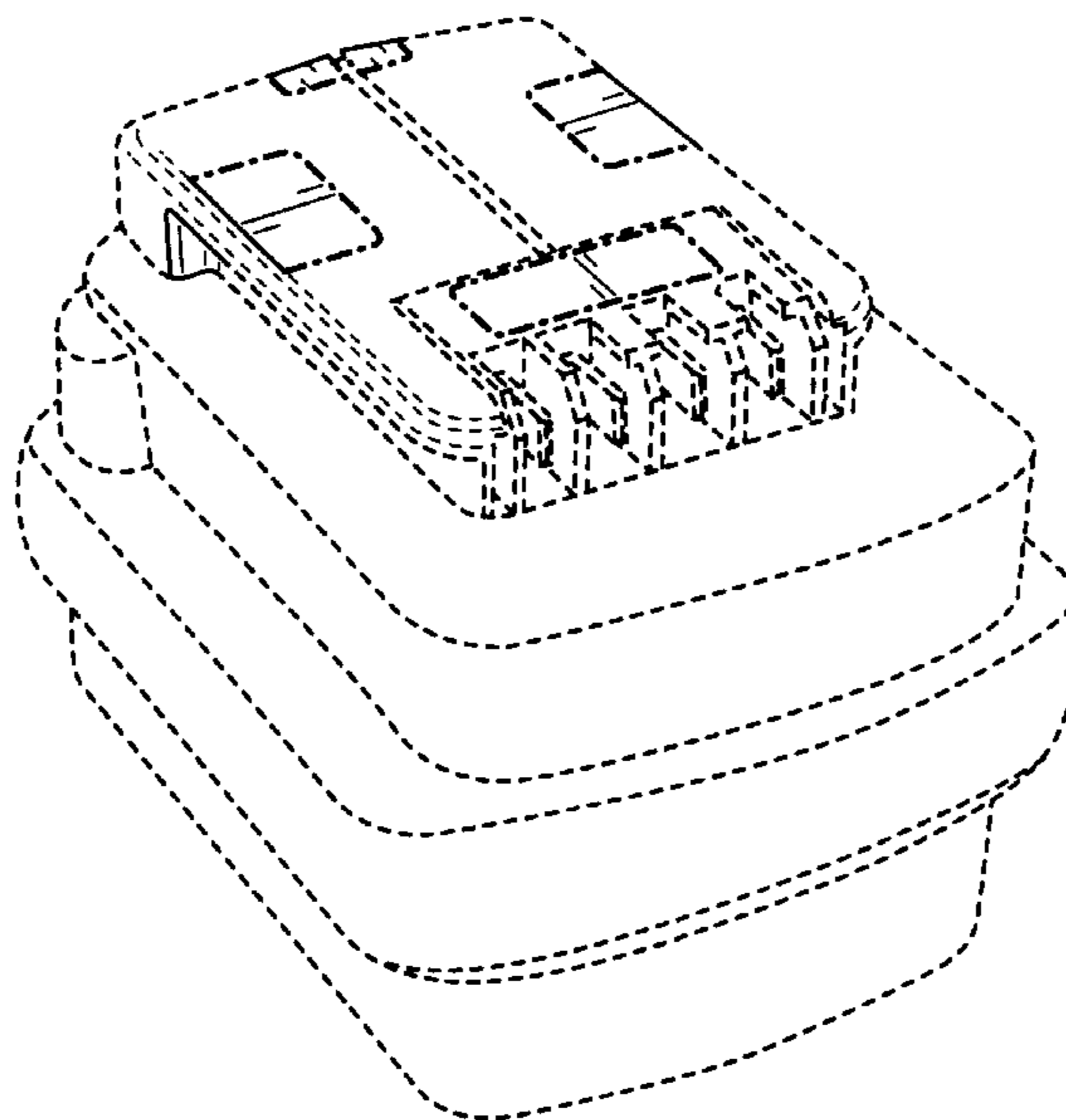
FIG. 4 is a top plan view thereof.

FIG. 5 is a right side elevational view thereof; and,

FIG. 6 is a left side elevational view thereof.

The broken lines in the dash-hyphen pattern immediately adjacent to shaded areas represent the bounds of the claims and do not form a part of the claimed design. All other broken lines are for illustrative purposes only and forms no part of the claimed design.

1 Claim, 4 Drawing Sheets



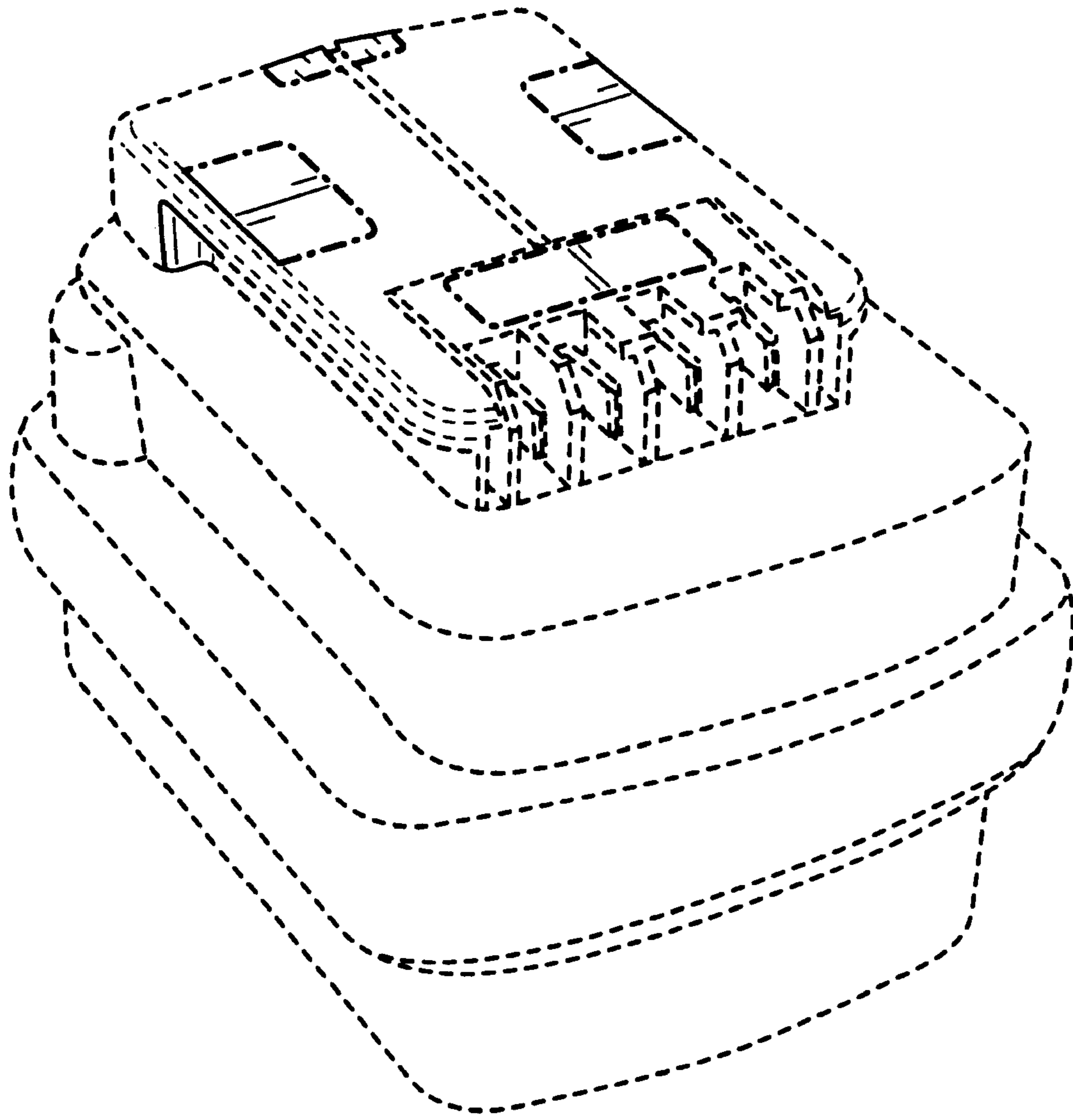


FIG. 1

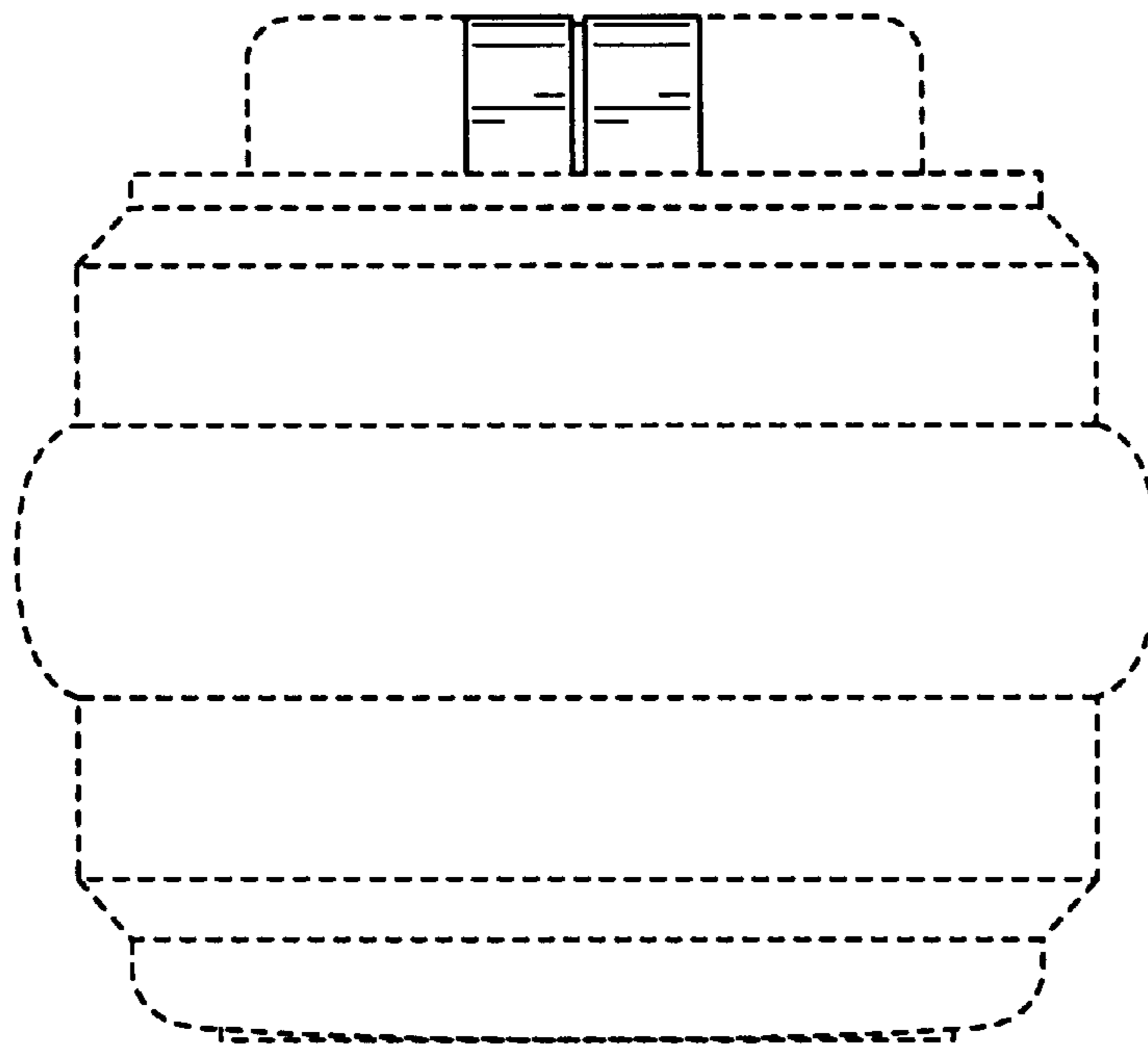


FIG. 2

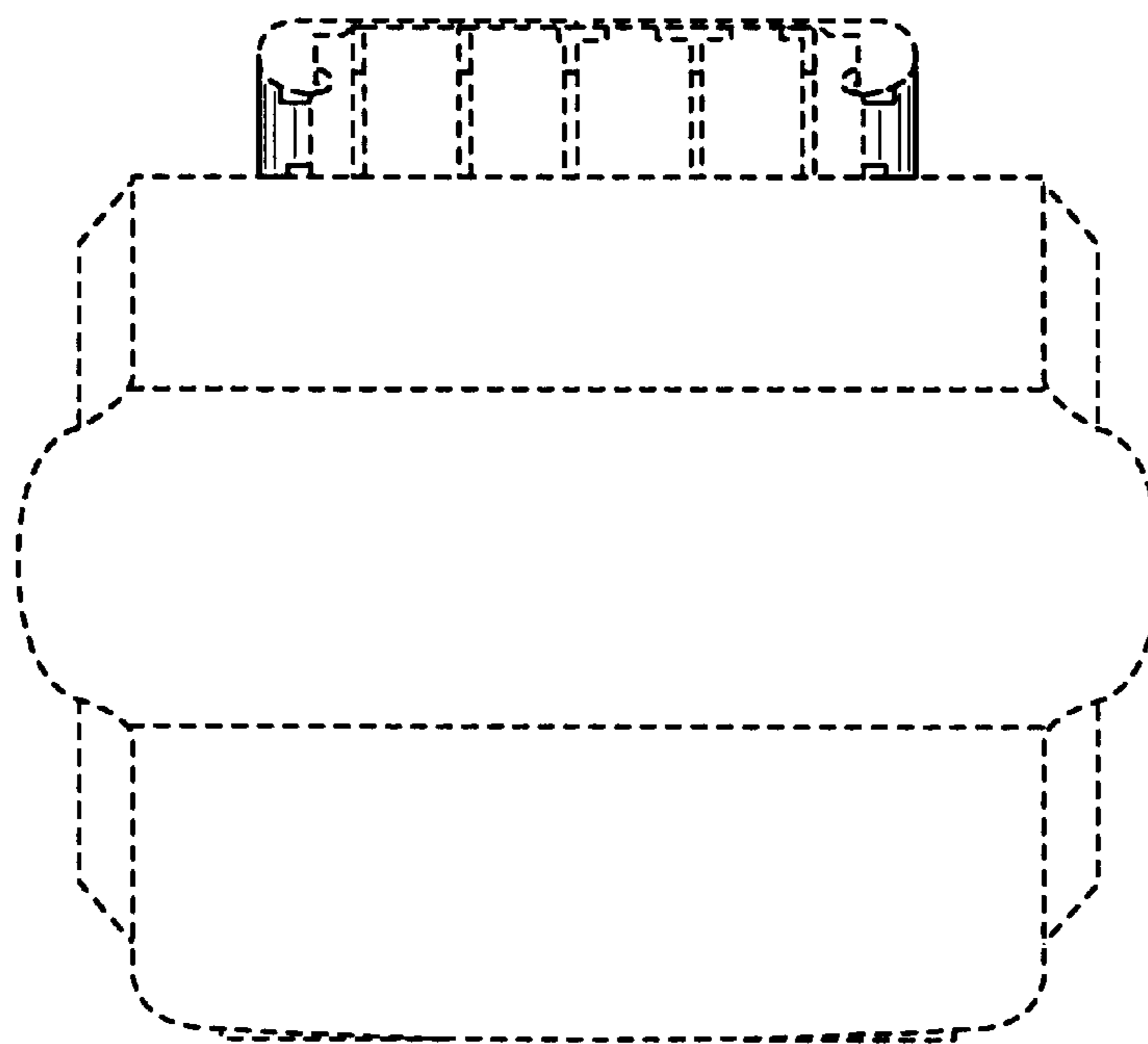


FIG. 3

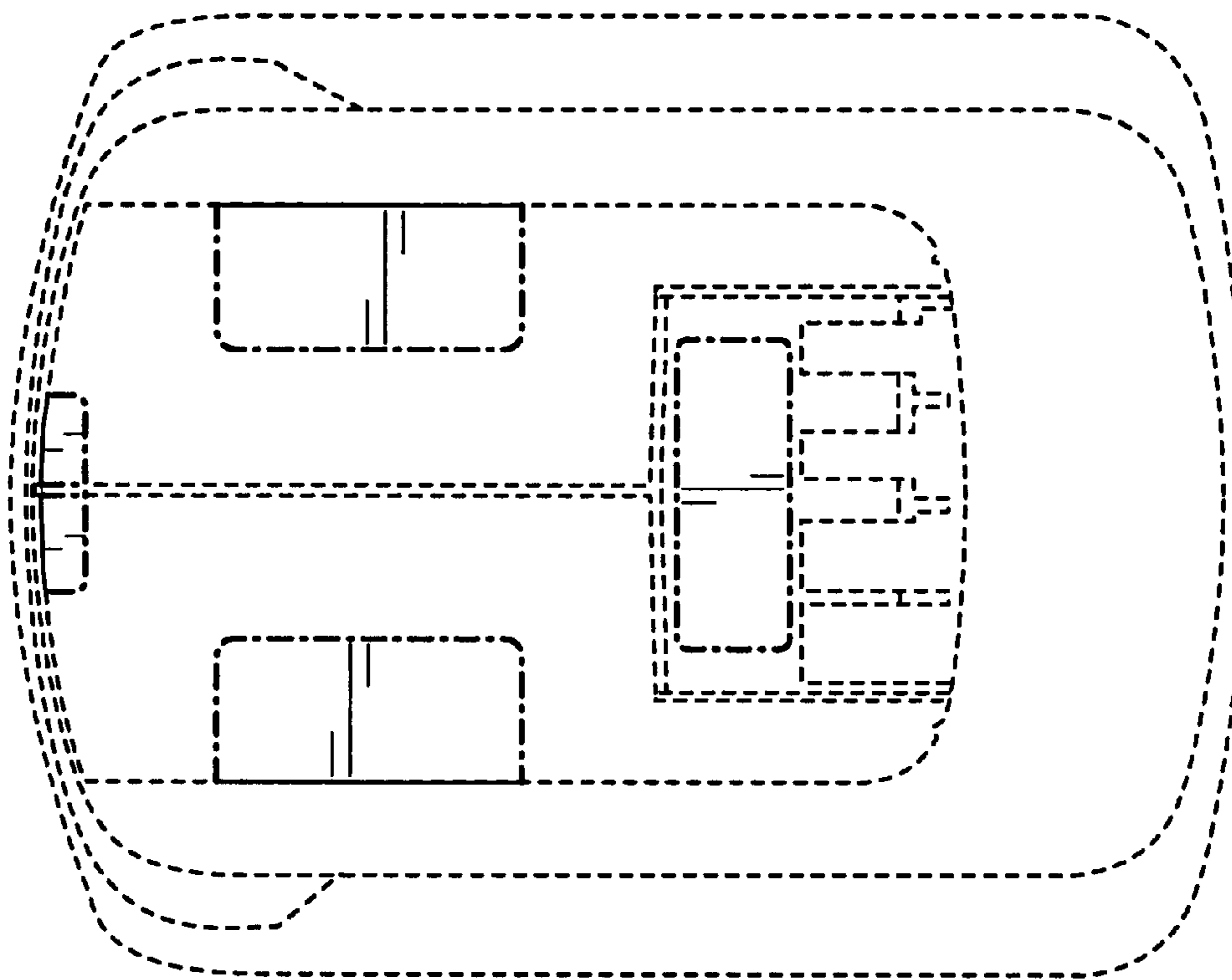


FIG. 4

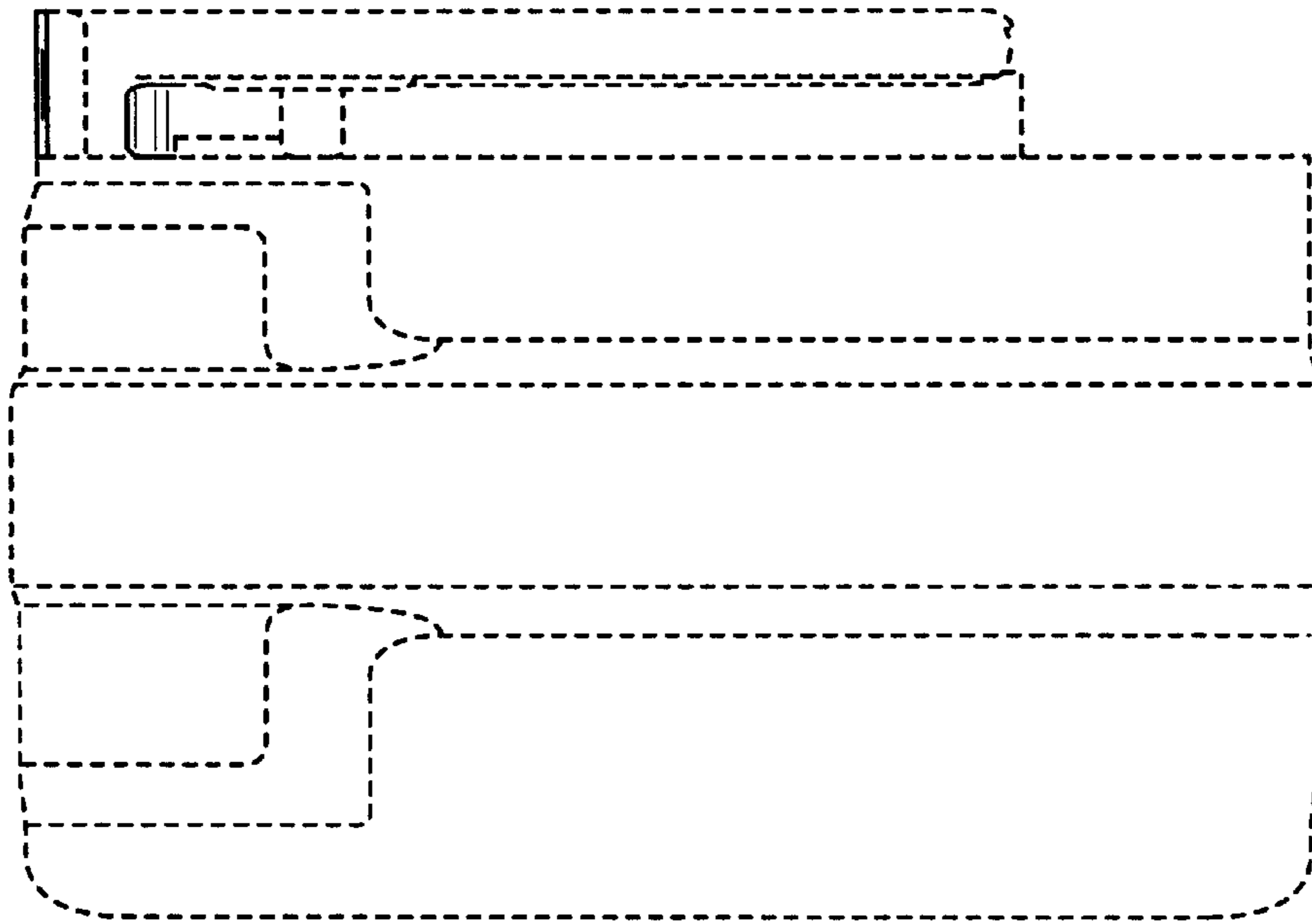


FIG. 5

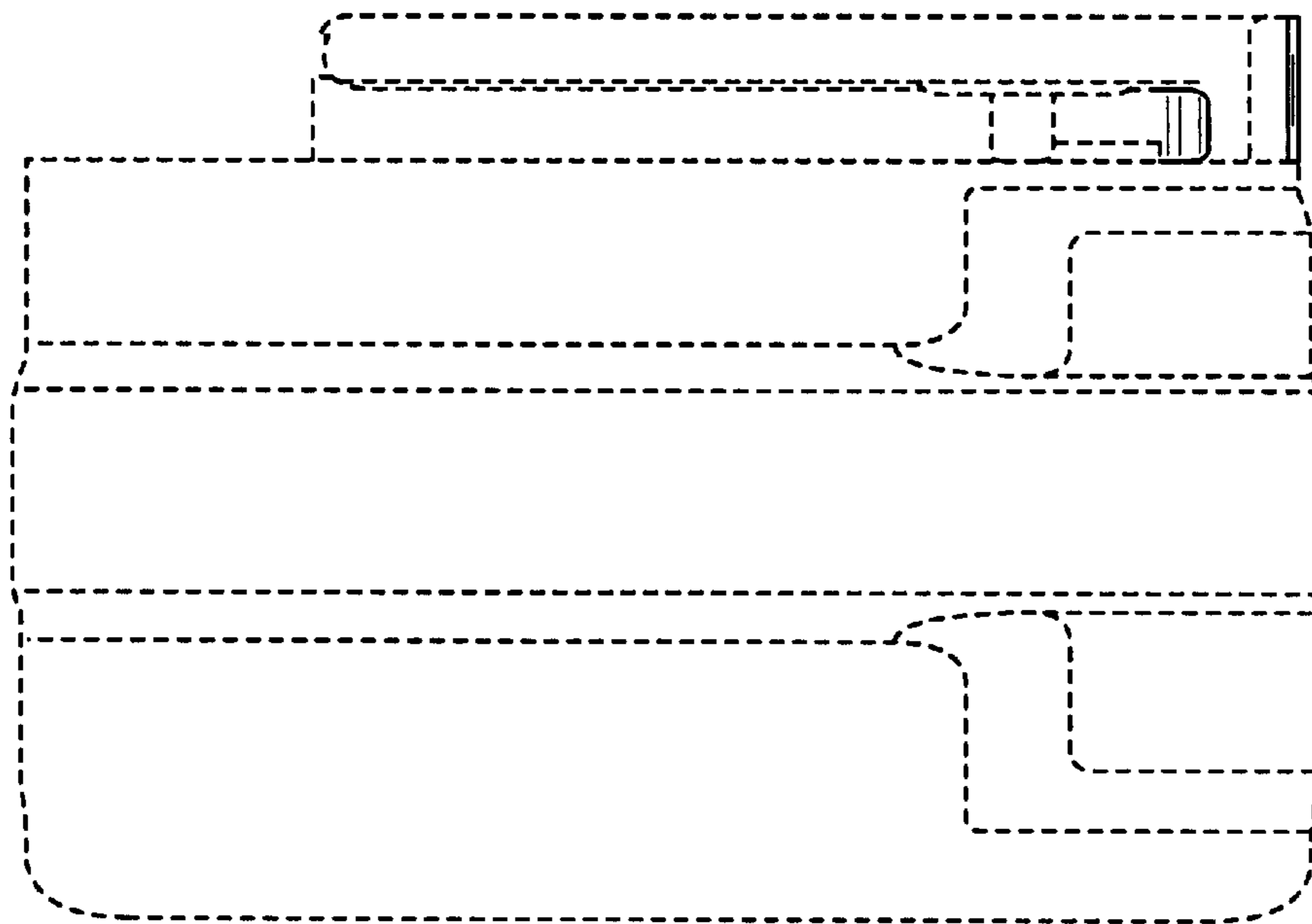


FIG. 6