



US00D534121S

(12) **United States Design Patent**
Morita et al.

(10) **Patent No.:** **US D534,121 S**
(45) **Date of Patent:** **** Dec. 26, 2006**

(54) **VIBRATION MOTOR**

(75) Inventors: **Kazuo Morita**, Tokyo (JP); **Hidehiro Uchiumi**, Tokyo (JP)

(73) Assignee: **Namiki Precision Jewel Co. Ltd.**, Tokyo (JP)

(**) Term: **14 Years**

(21) Appl. No.: **29/223,900**

(22) Filed: **Feb. 22, 2005**

(30) **Foreign Application Priority Data**

Aug. 26, 2004 (JP) 2004-025646

(51) **LOC (8) Cl.** **13-01**

(52) **U.S. Cl.** **D13/112**

(58) **Field of Classification Search** D13/112,
D13/113, 114, 199; 310/15, 81, 89; 340/388.1,
340/407.1; 381/191

See application file for complete search history.

(56) **References Cited**

U.S. PATENT DOCUMENTS

- D372,457 S * 8/1996 Okuyama et al. D13/112
- 5,952,745 A * 9/1999 Yasuda 310/40 MM
- 6,081,055 A * 6/2000 Narusawa 310/81
- 6,133,657 A * 10/2000 Semenik et al. 310/81
- 6,323,757 B1 * 11/2001 Nagai 340/407.1

- D457,493 S * 5/2002 Borges D13/112
- D464,621 S * 10/2002 Segawa D13/112
- 2002/0158528 A1 * 10/2002 Tsuzaki et al. 310/81
- 2003/0107276 A1 * 6/2003 Chen 310/81

FOREIGN PATENT DOCUMENTS

- JP 3172487 3/2001
- JP 2002-44904 2/2002
- JP 1189826 11/2003

* cited by examiner

Primary Examiner—Stella Reid
Assistant Examiner—Derrick Holland

(74) *Attorney, Agent, or Firm*—Alston & Bird LLP

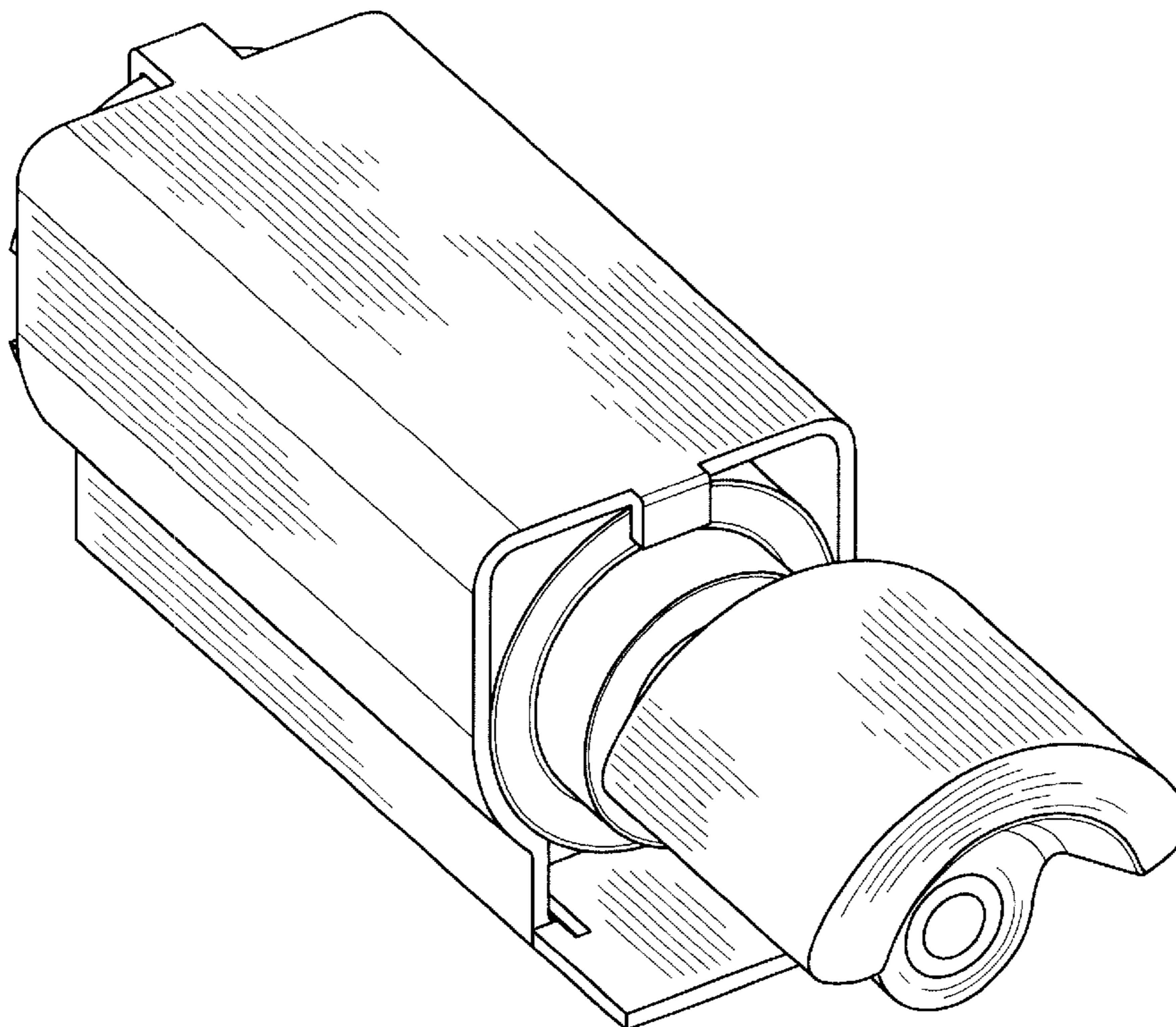
(57) **CLAIM**

The ornamental design for a vibration motor, as shown and described.

DESCRIPTION

FIG. 1 is a perspective view of a vibration motor, showing our new design;
 FIG. 2 is a left side elevational view thereof;
 FIG. 3 is a right side elevational view thereof;
 FIG. 4 is a front elevational view thereof;
 FIG. 5 is a rear elevational view thereof;
 FIG. 6 is a top plan view thereof; and,
 FIG. 7 is a bottom plan view thereof.

1 Claim, 3 Drawing Sheets



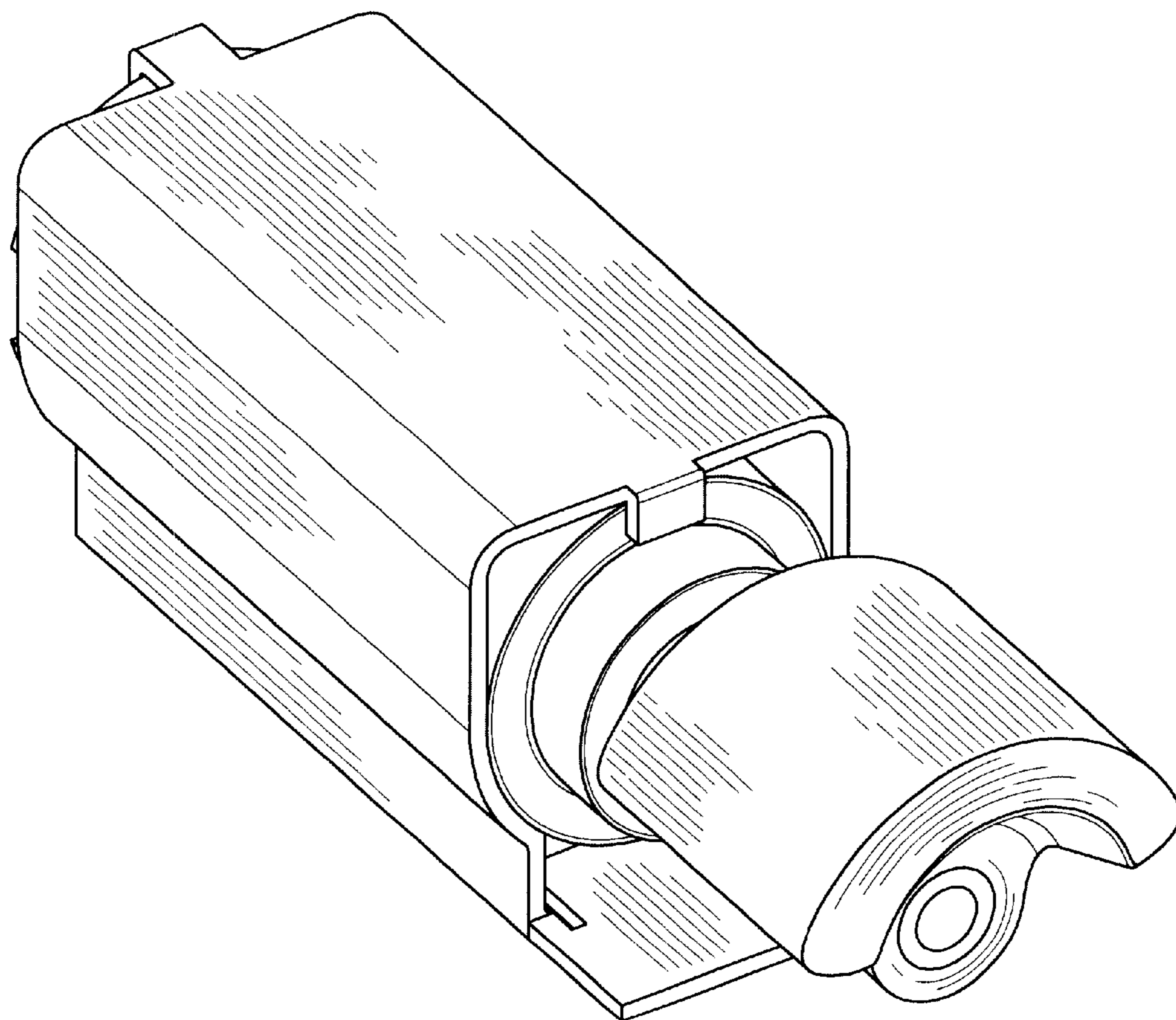


FIG. 1

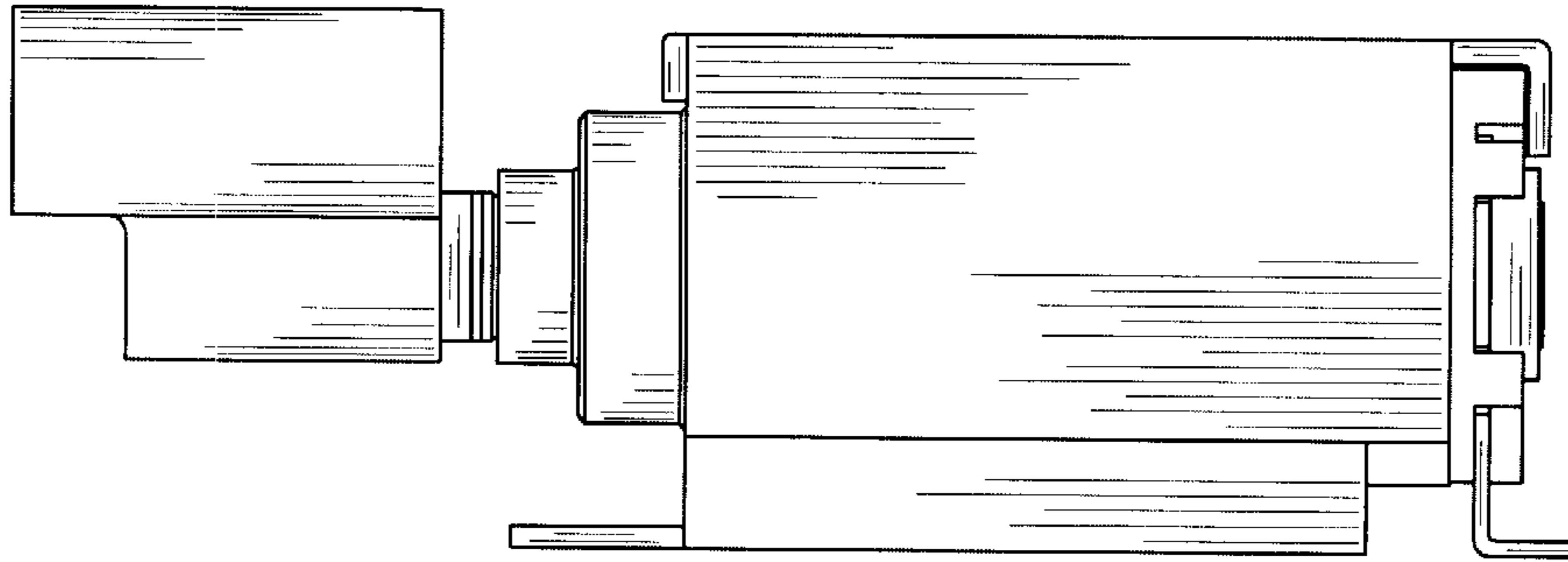


FIG. 2

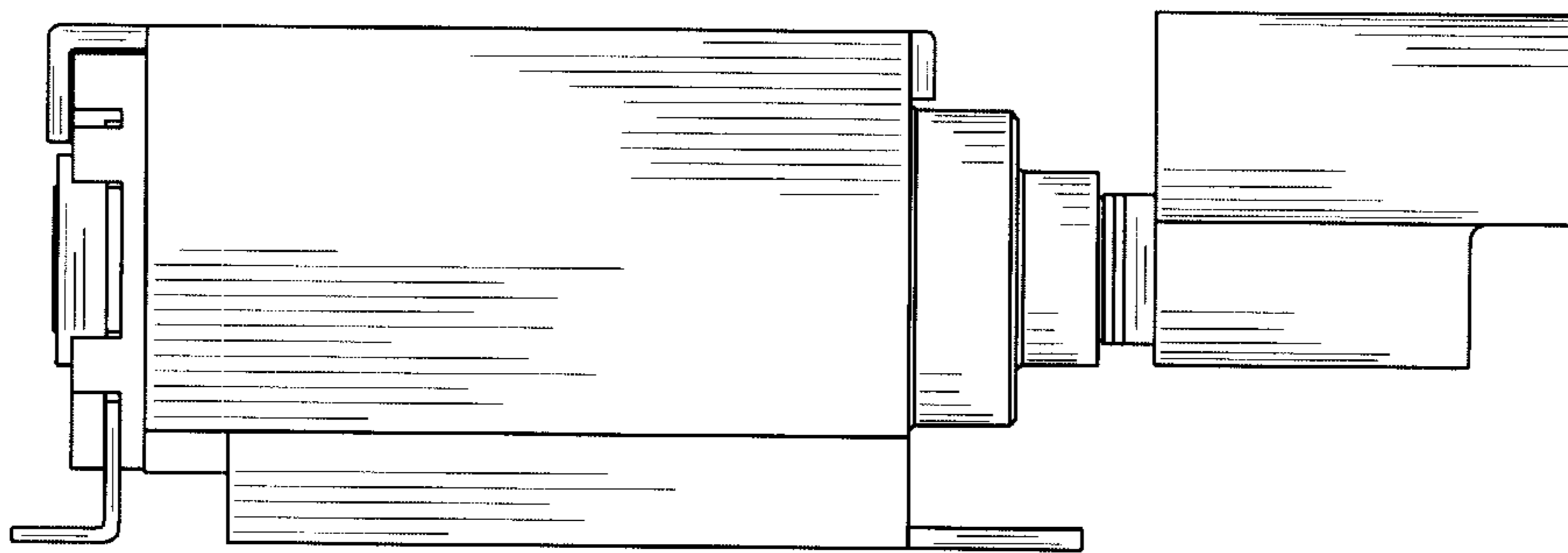


FIG. 3

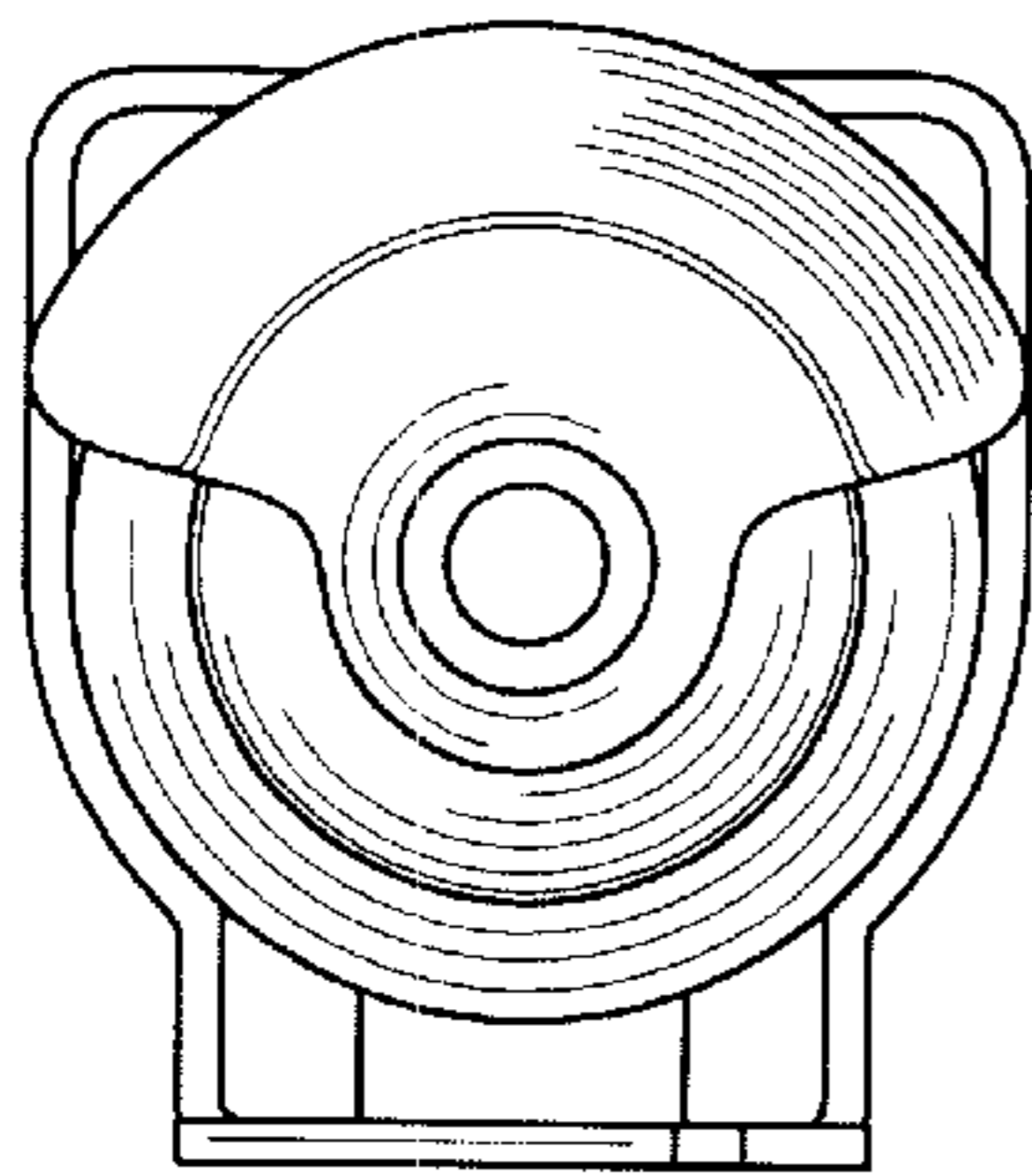


FIG. 4

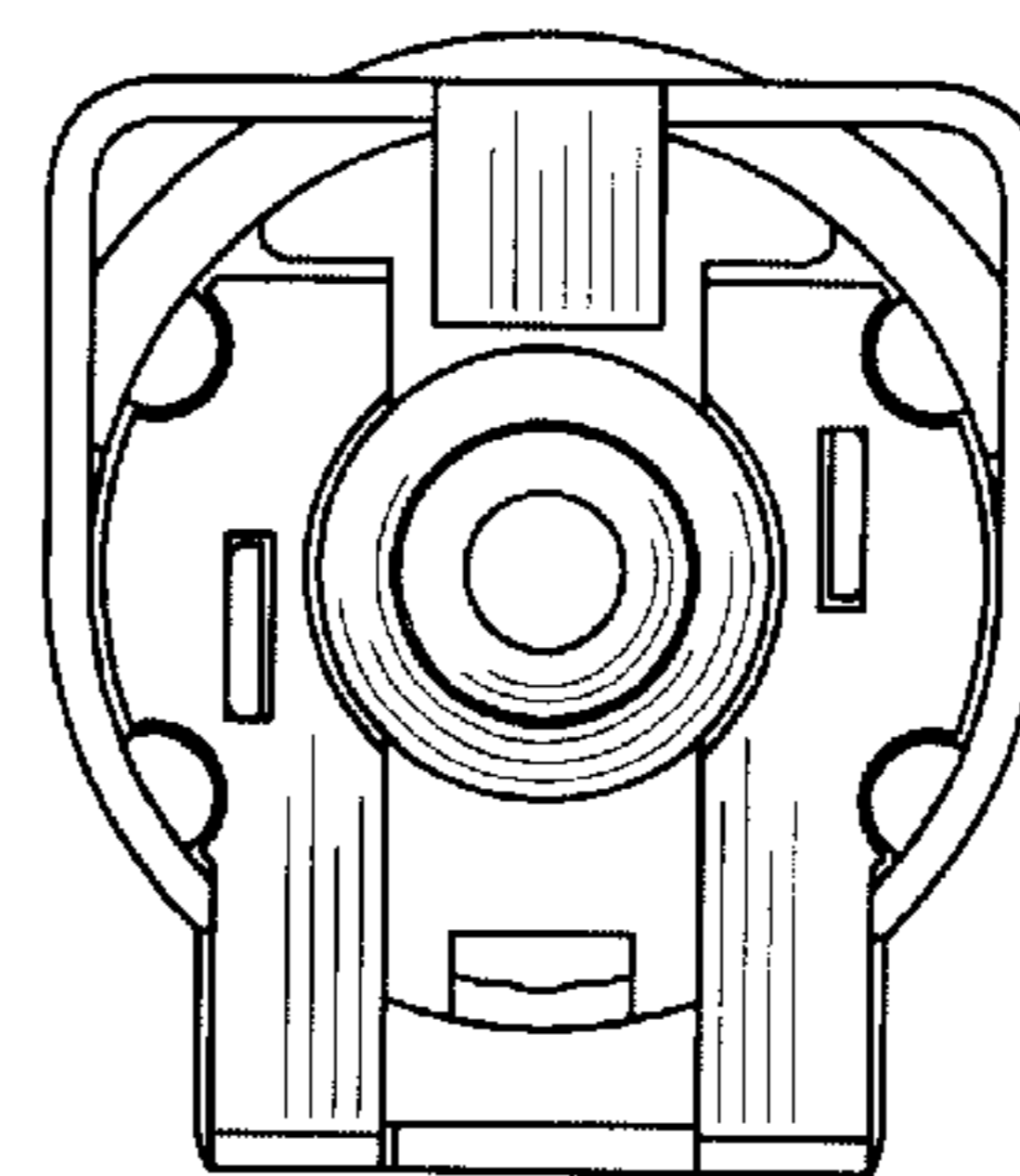


FIG. 5

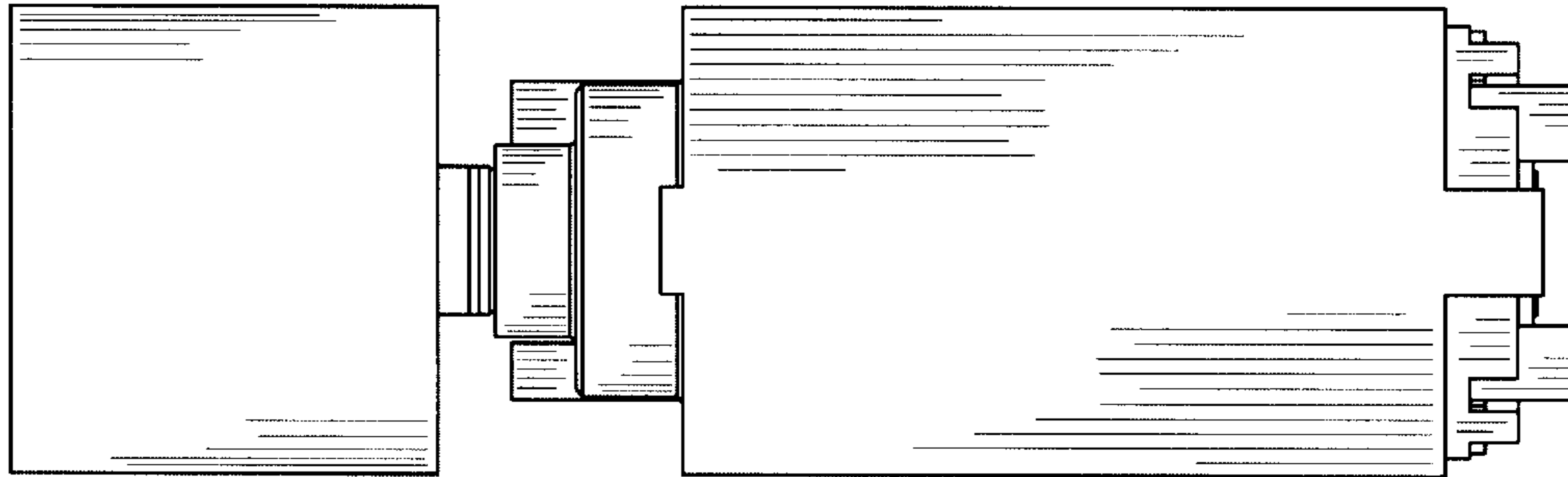


FIG. 6

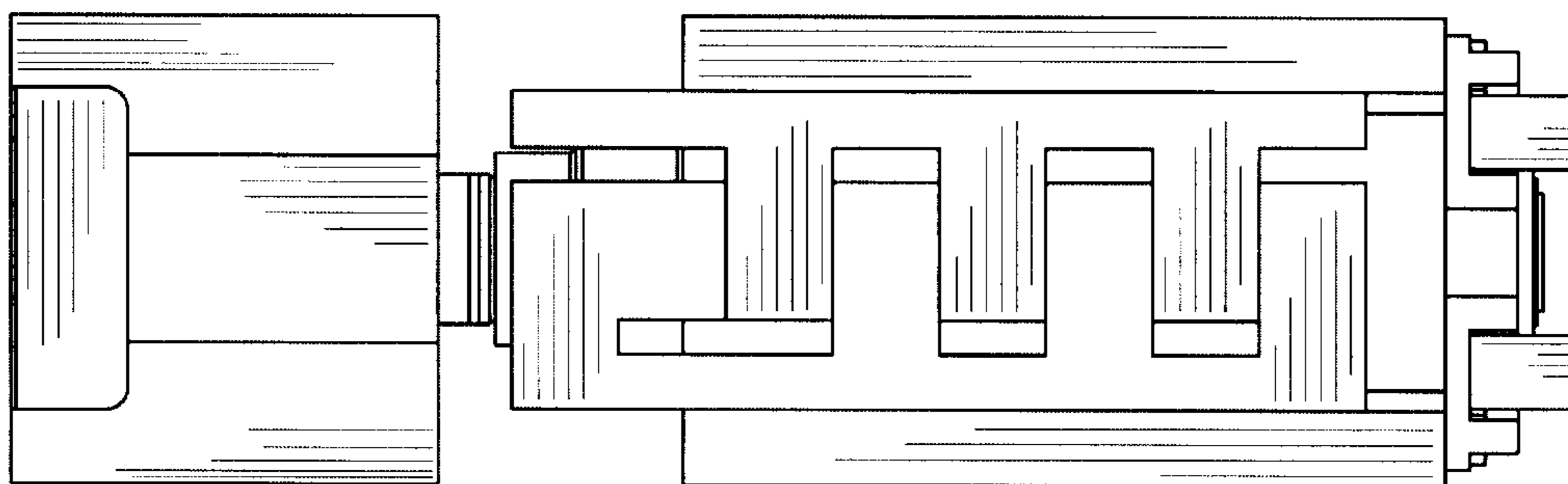


FIG. 7