



US00D534120S

(12) **United States Design Patent**
Ricci et al.

(10) **Patent No.:** **US D534,120 S**
(45) **Date of Patent:** **** Dec. 26, 2006**

(54) **CURRENT TRANSFORMER BODY**

(75) Inventors: **Marc A. Ricci**, Victoria (CA); **Stewart J. Harding**, Victoria (CA); **Colin N. Gunn**, Victoria (CA)

(73) Assignee: **Power Measurement Ltd.**, Saanichton (CA)

(**) Term: **14 Years**

(21) Appl. No.: **29/221,710**

(22) Filed: **Jan. 19, 2005**

(51) **LOC (8) Cl.** **13-02**

(52) **U.S. Cl.** **D13/110**

(58) **Field of Classification Search** D13/110,
D13/2, 4, 101, 184, 199; 336/173-175; 361/836
See application file for complete search history.

(56) **References Cited**

U.S. PATENT DOCUMENTS

3,147,456	A	*	9/1964	Gallousis	336/173
D215,447	S	*	10/1969	Canney	D13/110
D219,597	S	*	12/1970	Smith	D13/110
4,270,110	A	*	5/1981	Martincic et al.	336/174
D260,877	S	*	9/1981	Scott et al.	D13/110
D274,614	S	*	7/1984	Fallon et al.	D13/110
D288,314	S	*	2/1987	Makinson et al.	D13/110
D293,431	S	*	12/1987	Makinson et al.	D13/110
D392,940	S	*	3/1998	Shen	D13/110

* cited by examiner

Primary Examiner—Stella Reid

Assistant Examiner—Derrick Holland

(74) *Attorney, Agent, or Firm*—Brinks Hofer Gilson & Lione

(57) **CLAIM**

We claim the ornamental design for a current transformer body, as shown and described.

DESCRIPTION

FIG. 1 is a side elevation view of a current transformer body showing the present invention in a “closed” position.

FIG. 2 is a side elevation view of the side opposite that shown in FIG. 1.

FIG. 3 is an elevation view from the left side of FIG. 1.

FIG. 4 is an elevation view from the right side of FIG. 1.

FIG. 5 is a plan view from the top of FIG. 1.

FIG. 6 is a plan view from the bottom of FIG. 1.

FIG. 7 is an elevated perspective view from the upper left of FIG. 2.

FIG. 8 is an elevated perspective view from the upper right of FIG. 2.

FIG. 9 is a side elevation view similar to FIG. 1 of a current transformer body showing the present invention in an “open” position.

FIG. 10 is a side elevation view of the side opposite that shown in FIG. 9.

FIG. 11 is an elevation view from the right side of FIG. 9.

FIG. 12 is an elevation view from the left side of FIG. 9.

FIG. 13 is a plan view from the bottom of FIG. 9.

FIG. 14 is a plan view from the top of FIG. 9.

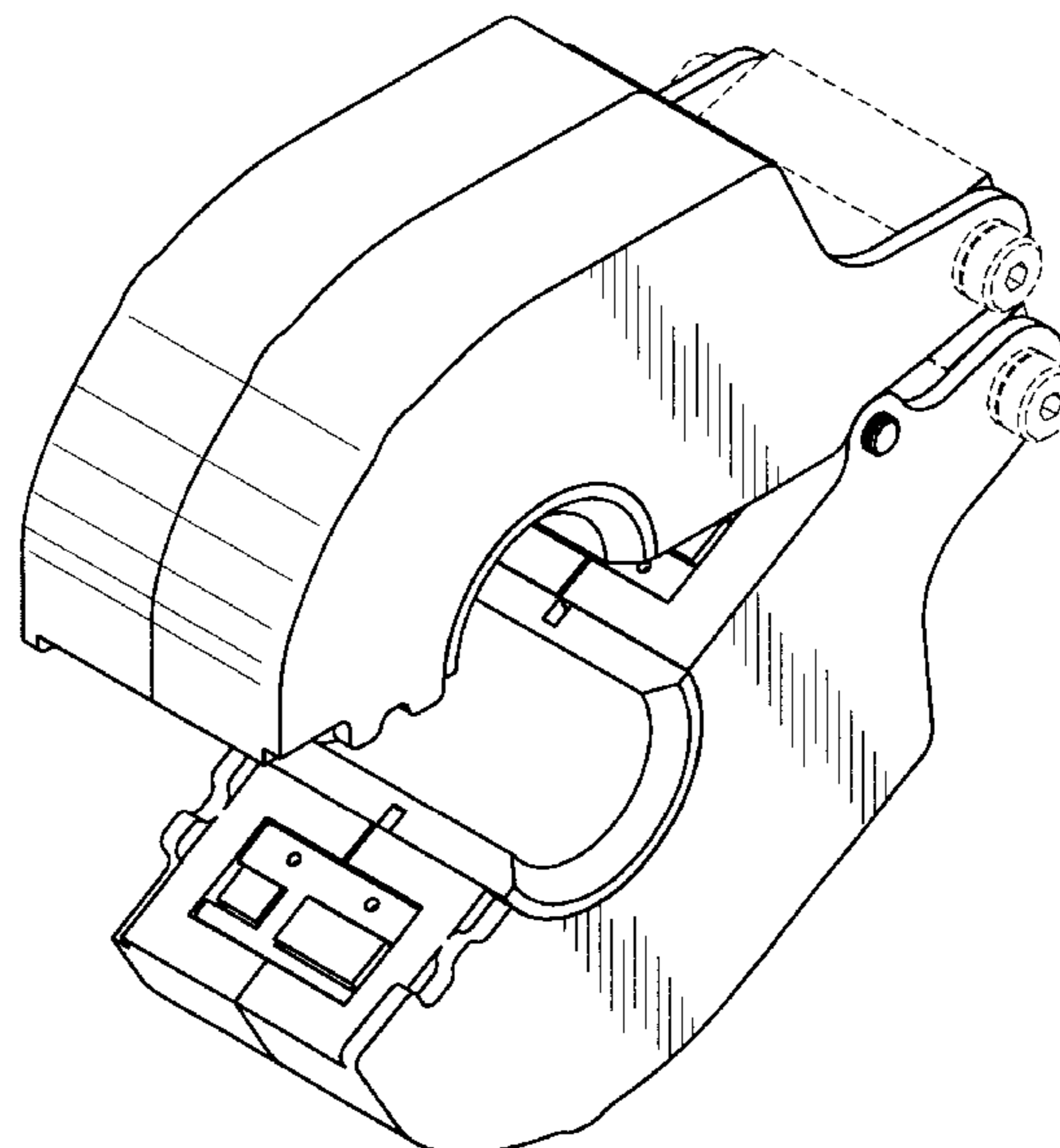
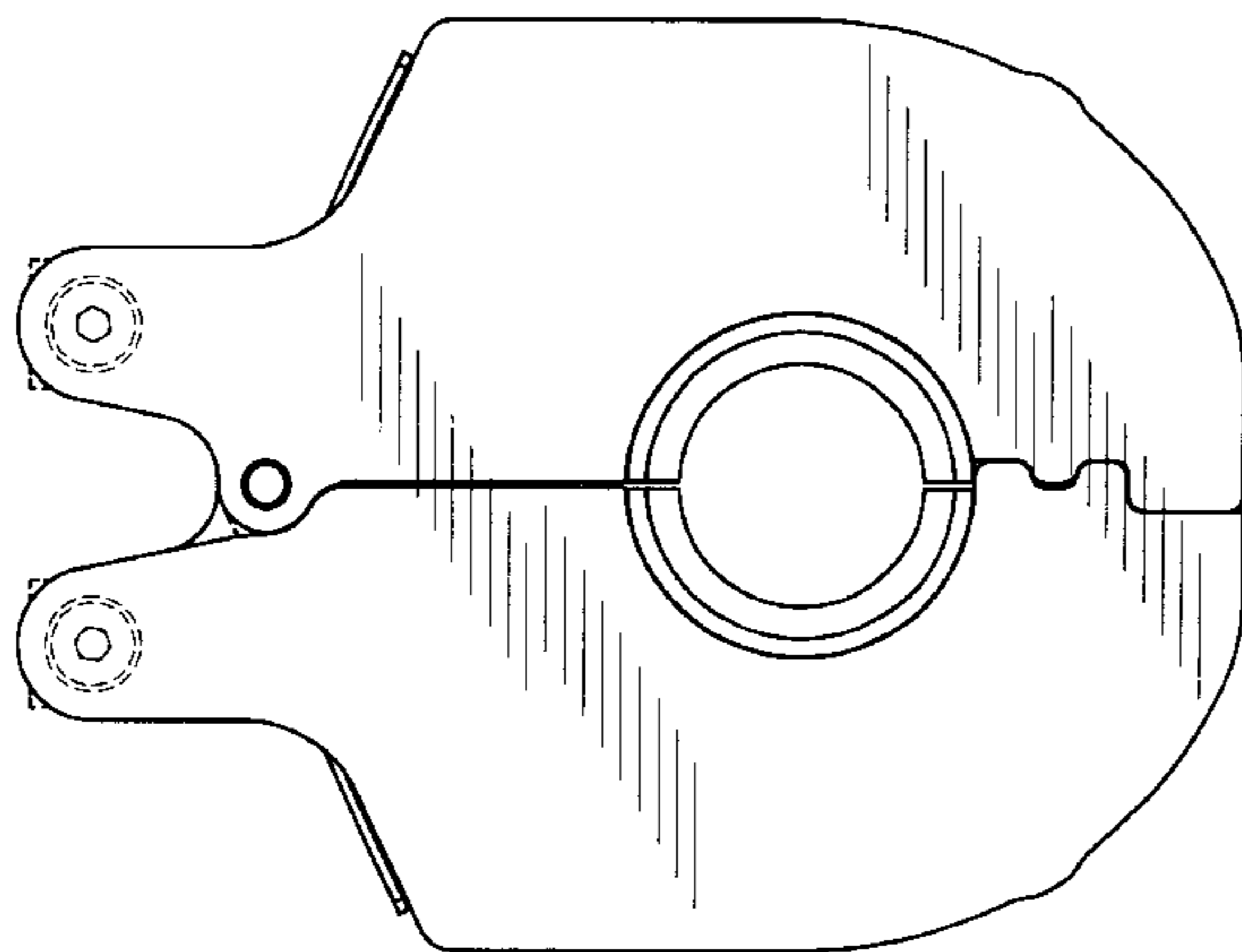
FIG. 15 is an elevated perspective view from the upper left of FIG. 10; and,

FIG. 16 is an elevated perspective view from the upper right of FIG. 10.

The current transformer body of the present invention is movable between the “open” and “closed” positions.

The broken line showing of current transformer body is for illustrative purposes only and forms no part of the claimed design.

1 Claim, 12 Drawing Sheets



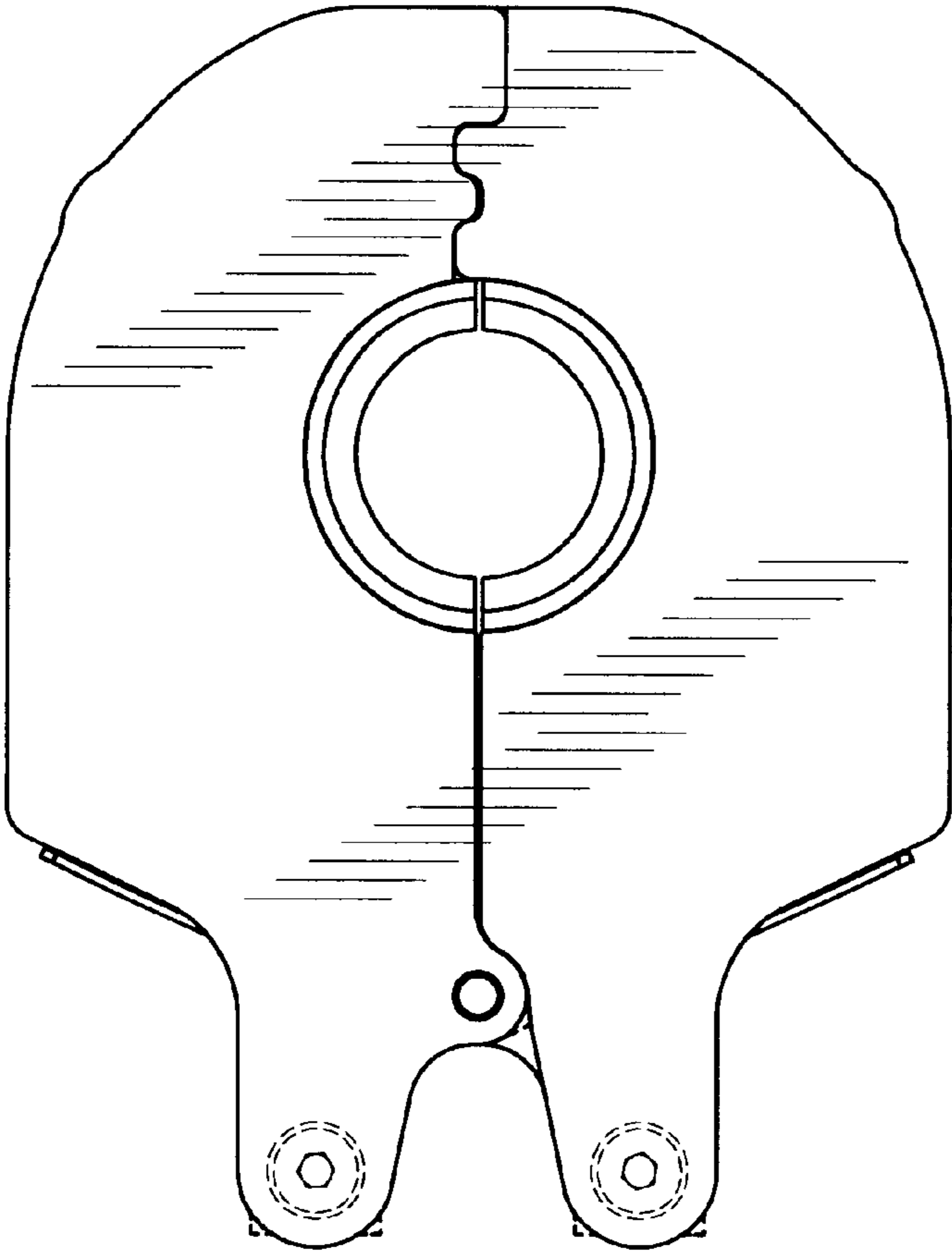


Fig. 1

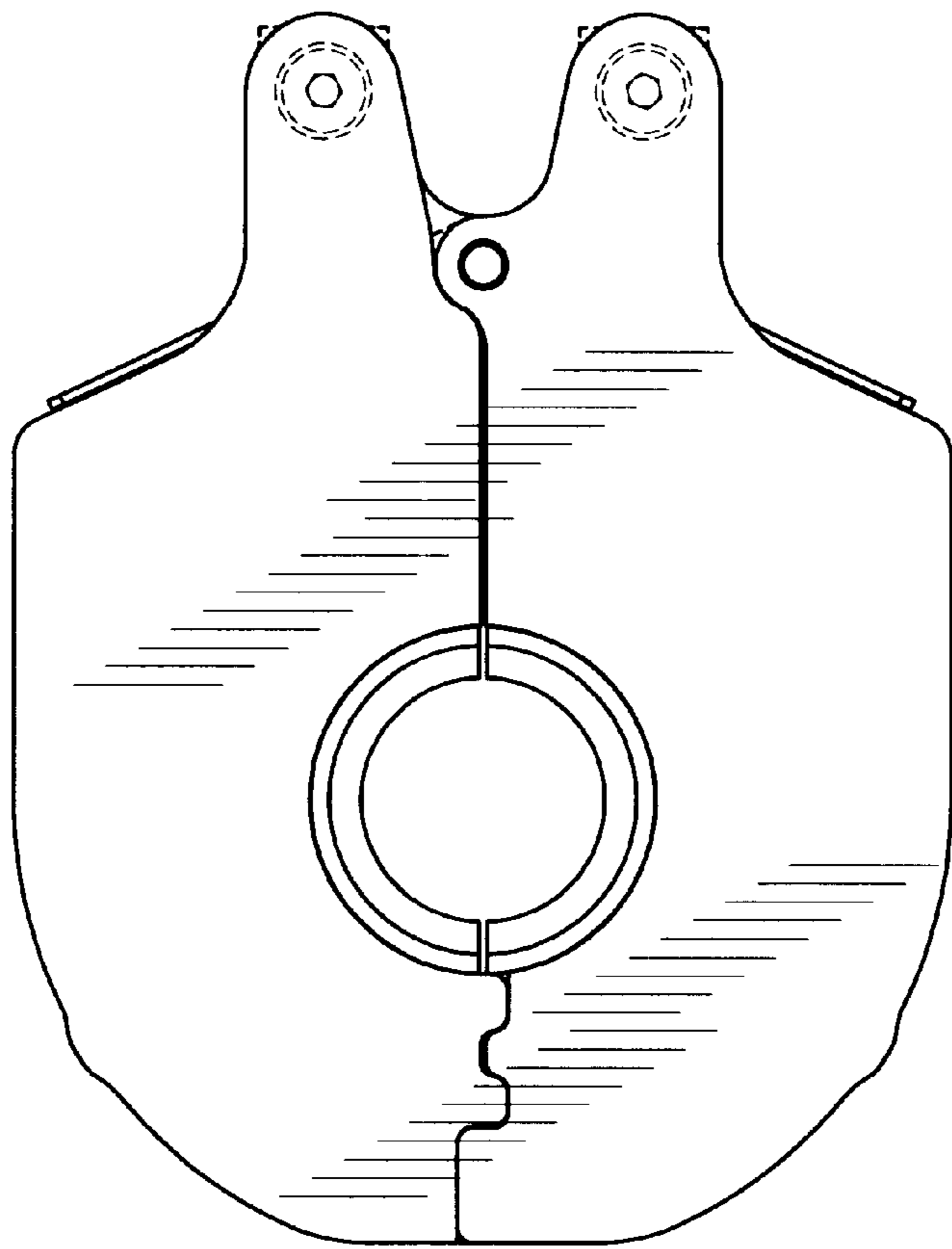


Fig. 2

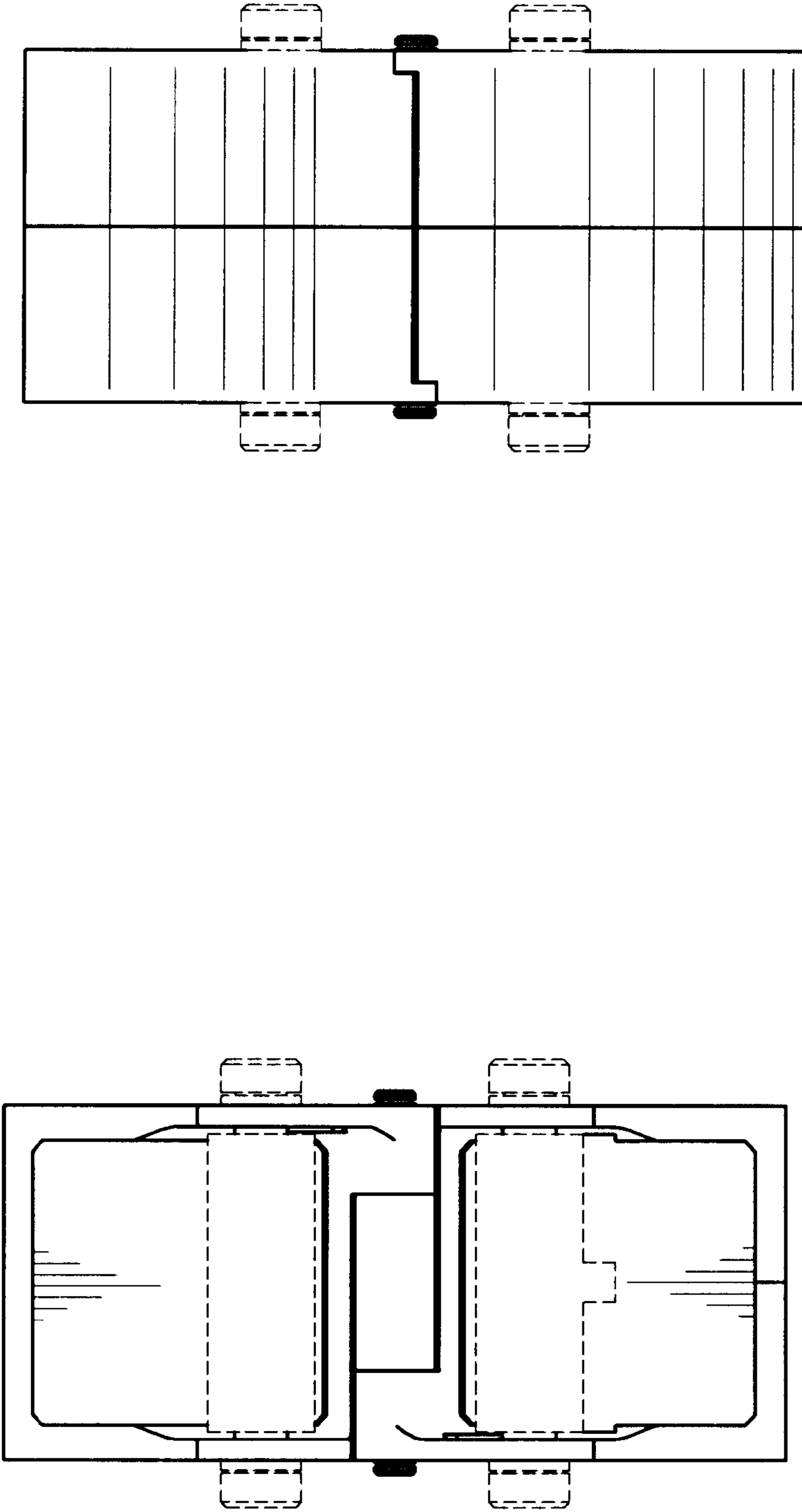


Fig. 3

Fig. 4

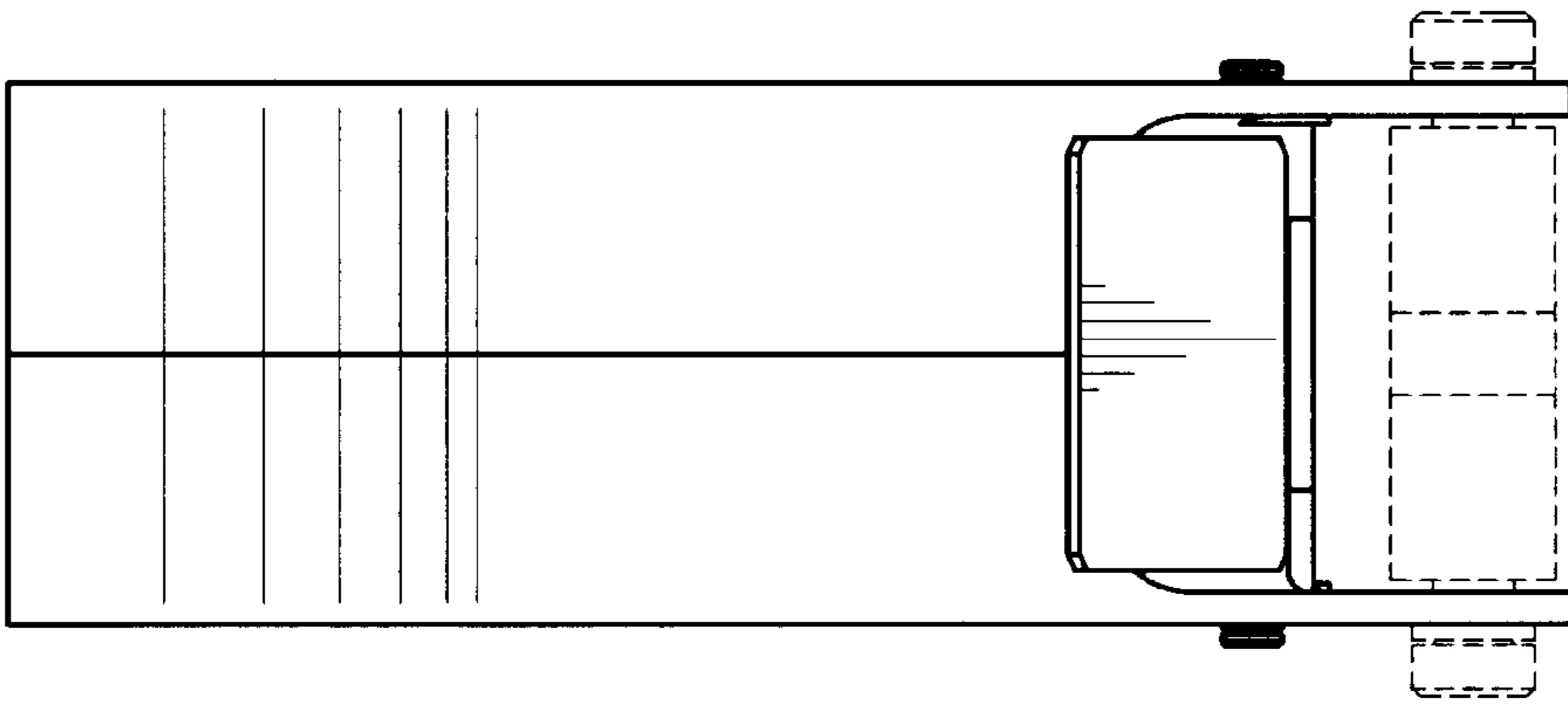


Fig. 6

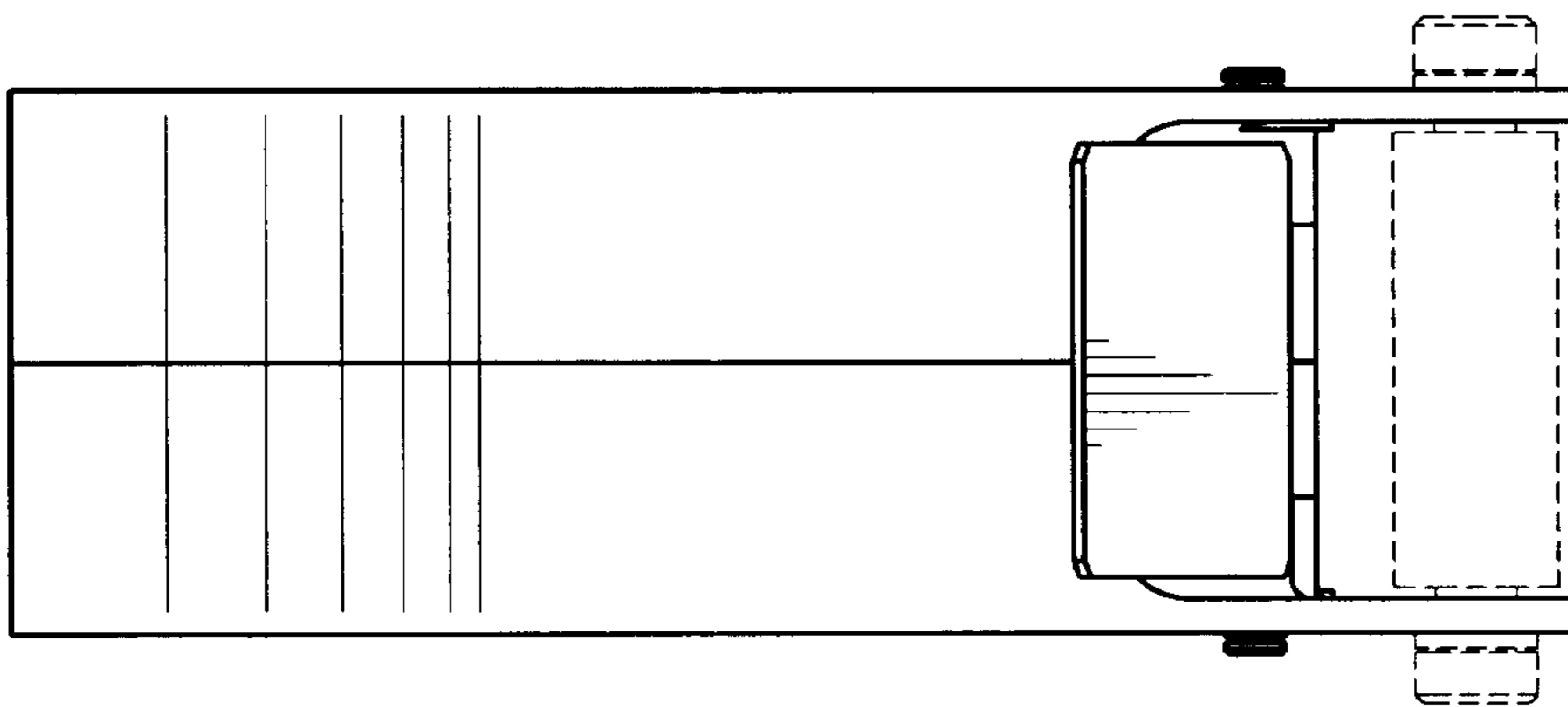


Fig. 5

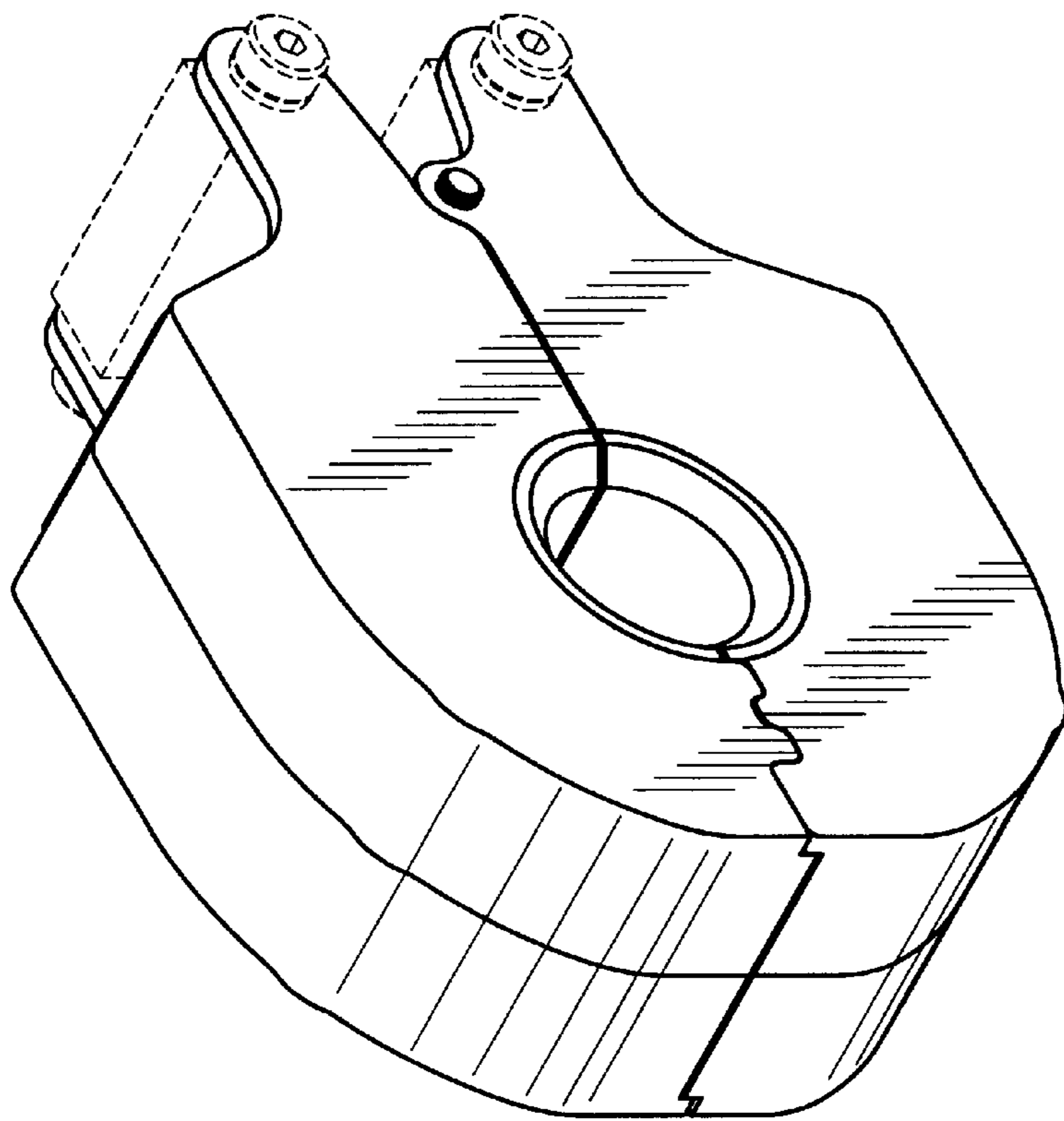


Fig. 7

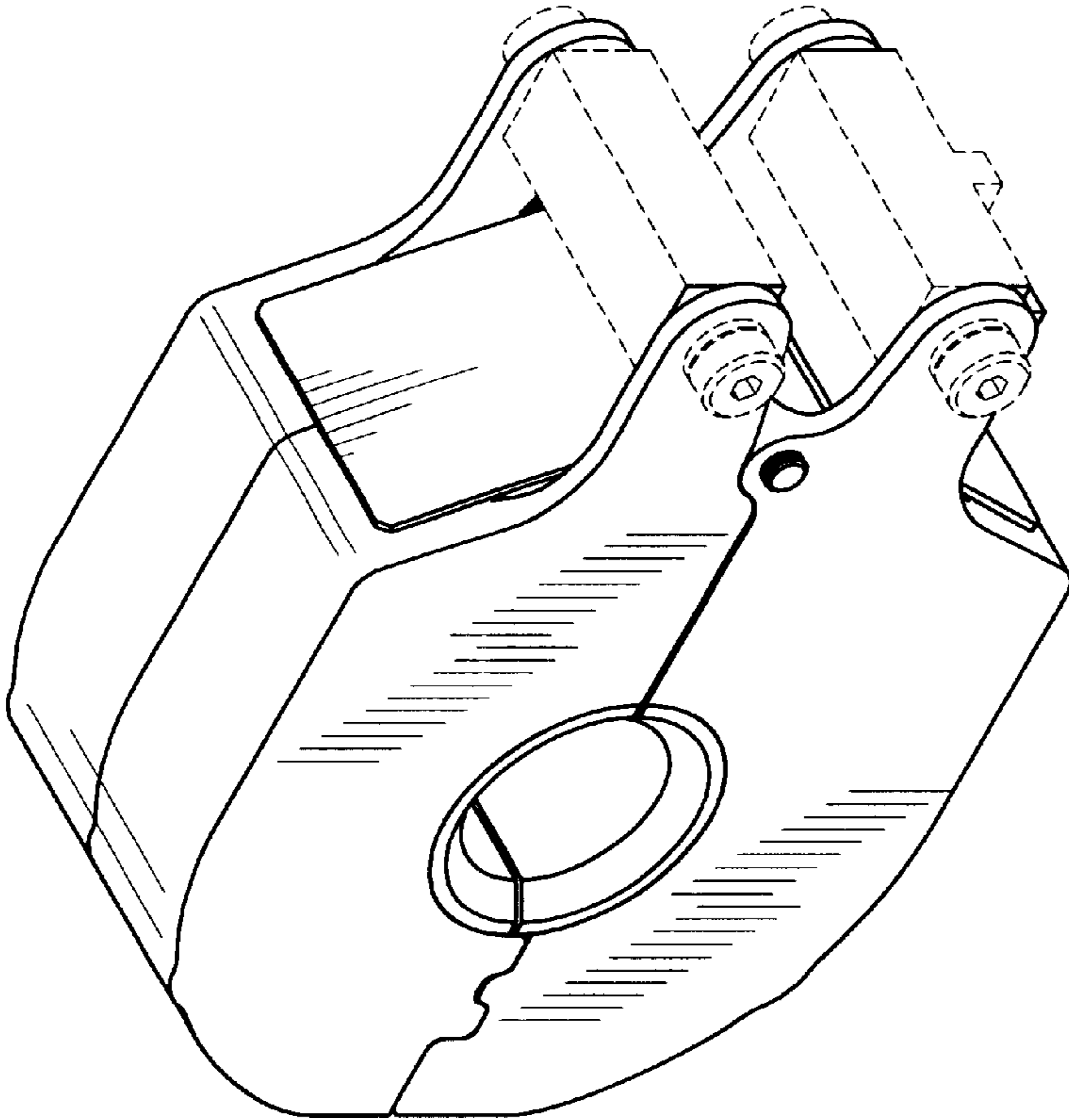


Fig. 8

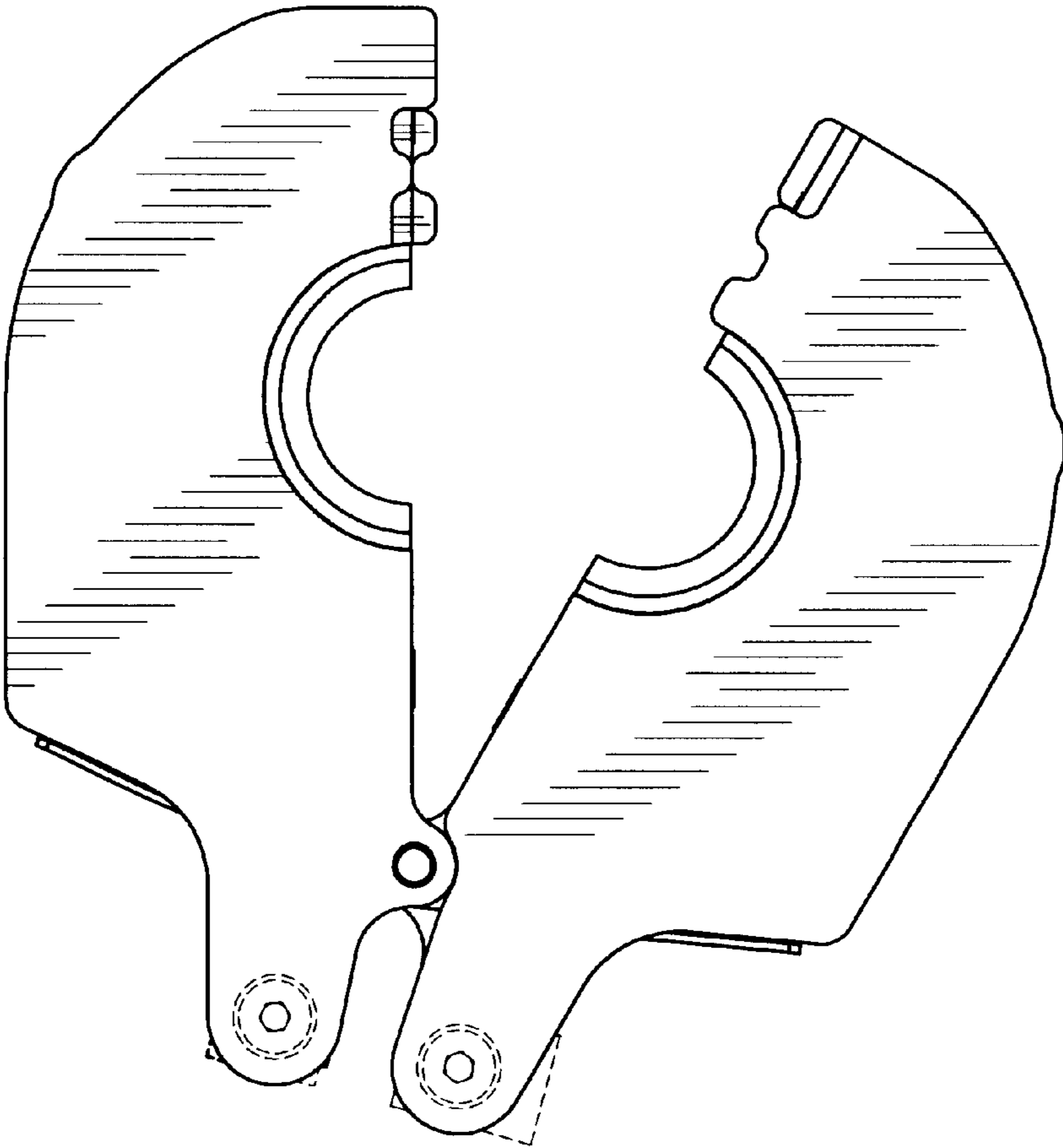


Fig. 9

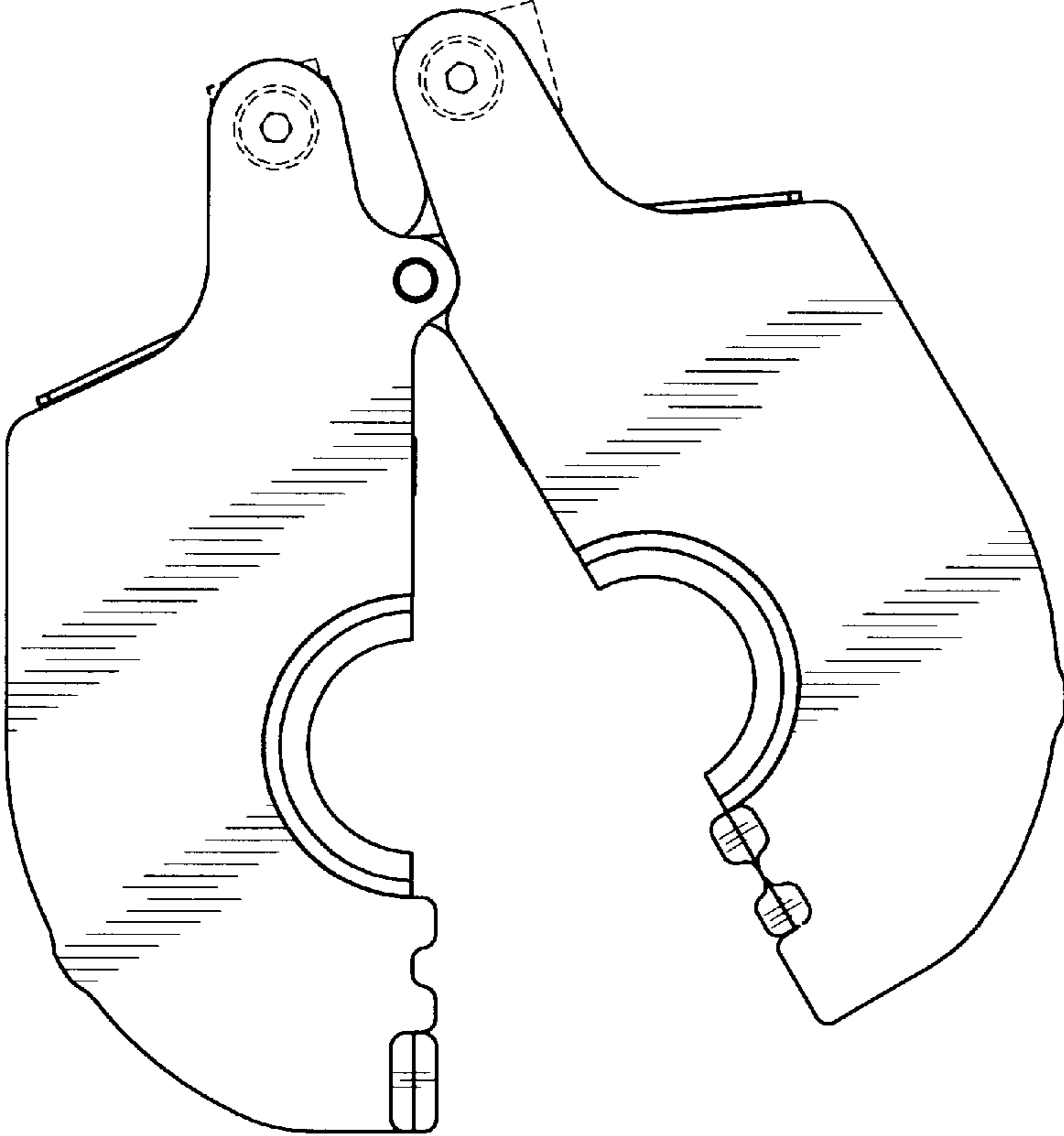


Fig. 10

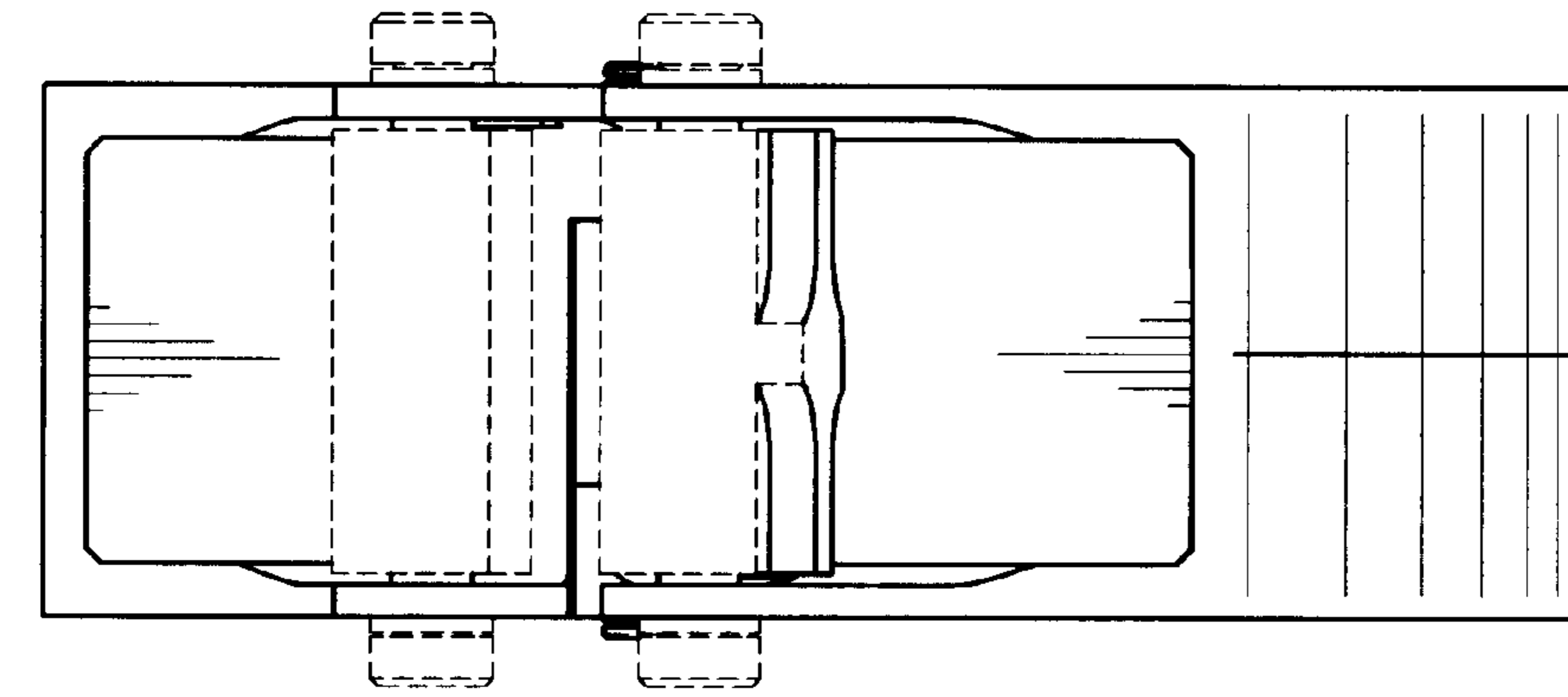


Fig. 12

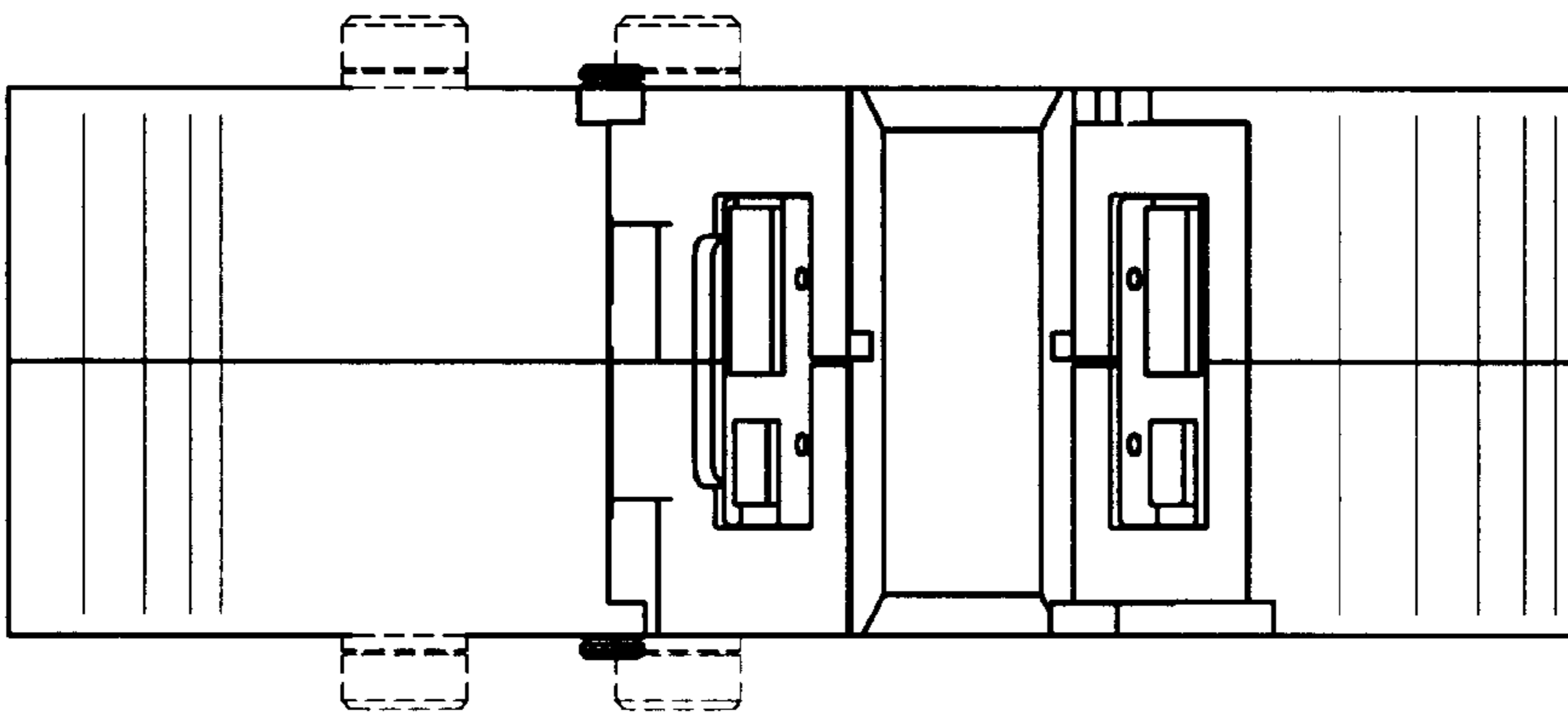


Fig. 11

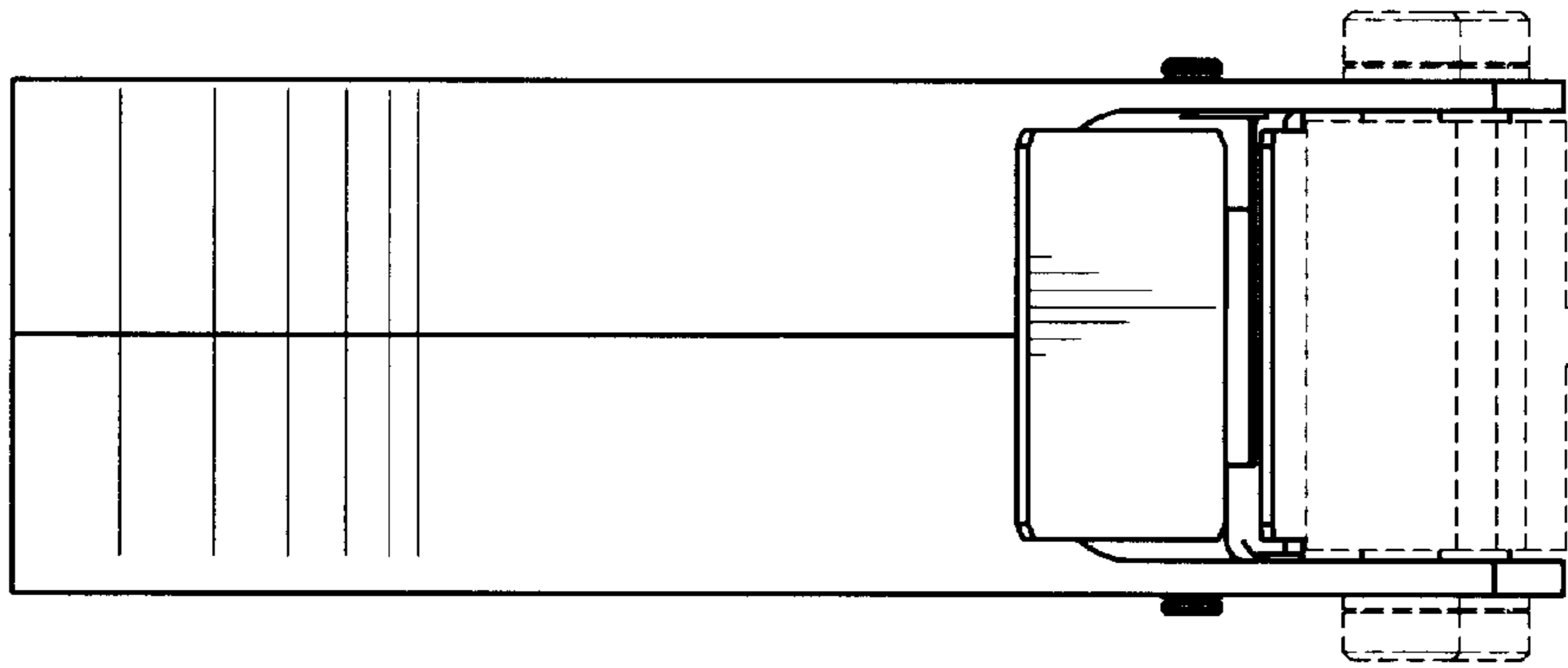


Fig. 14

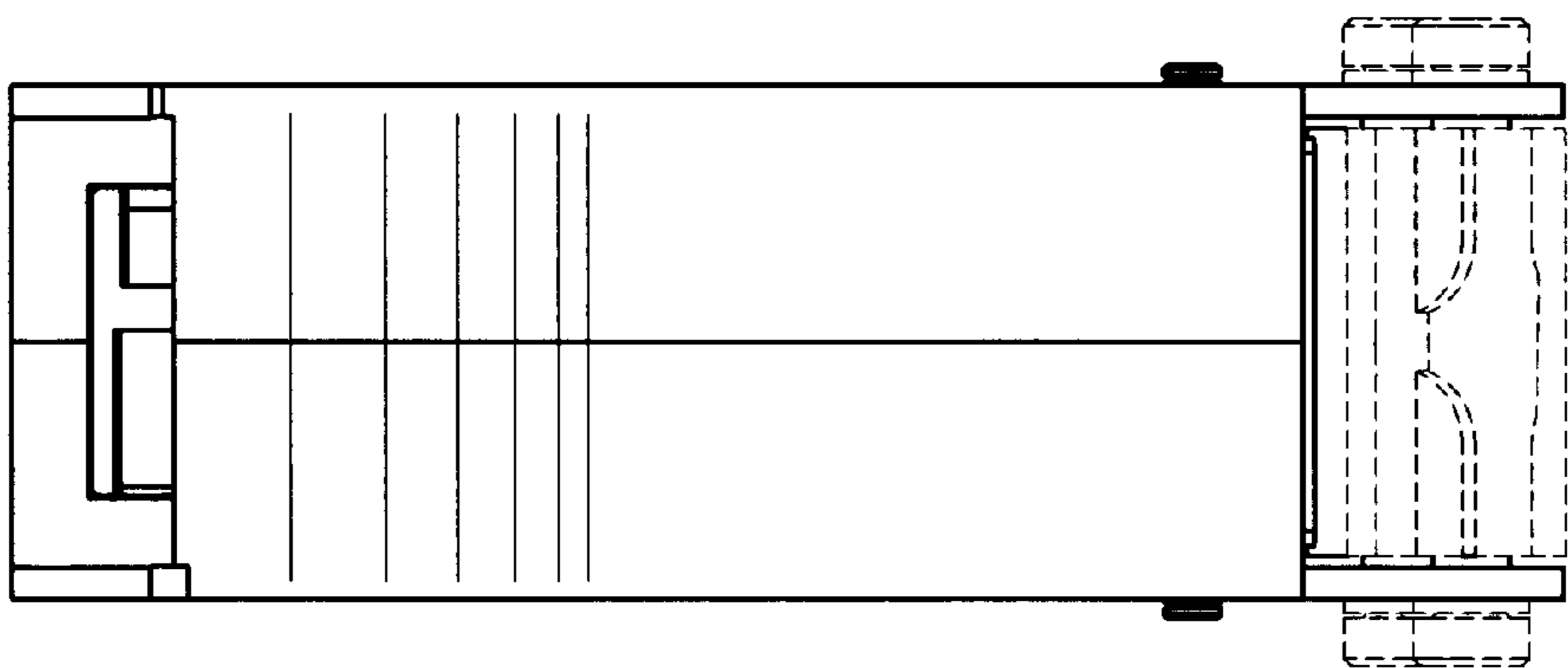


Fig. 13

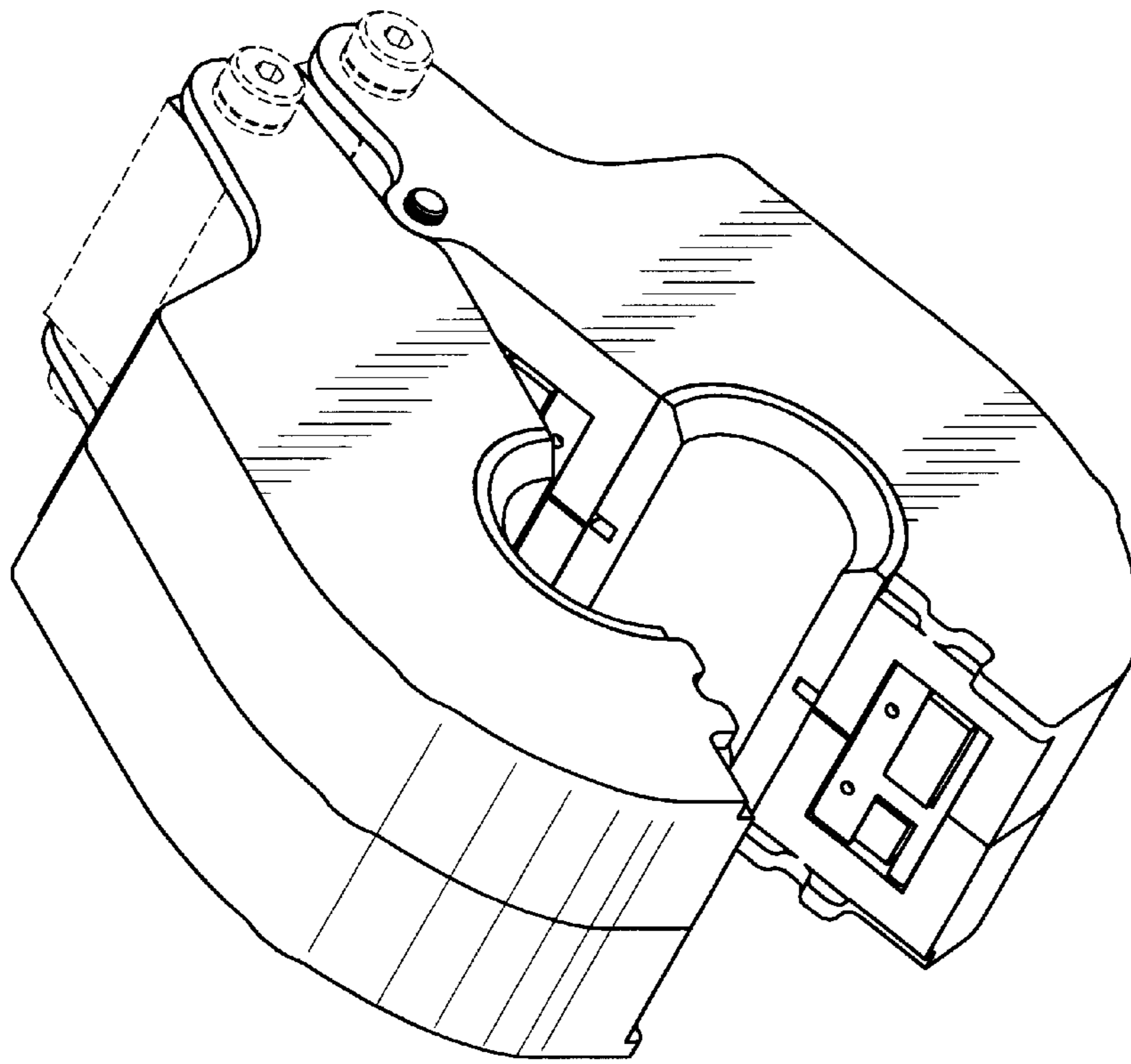


Fig. 15

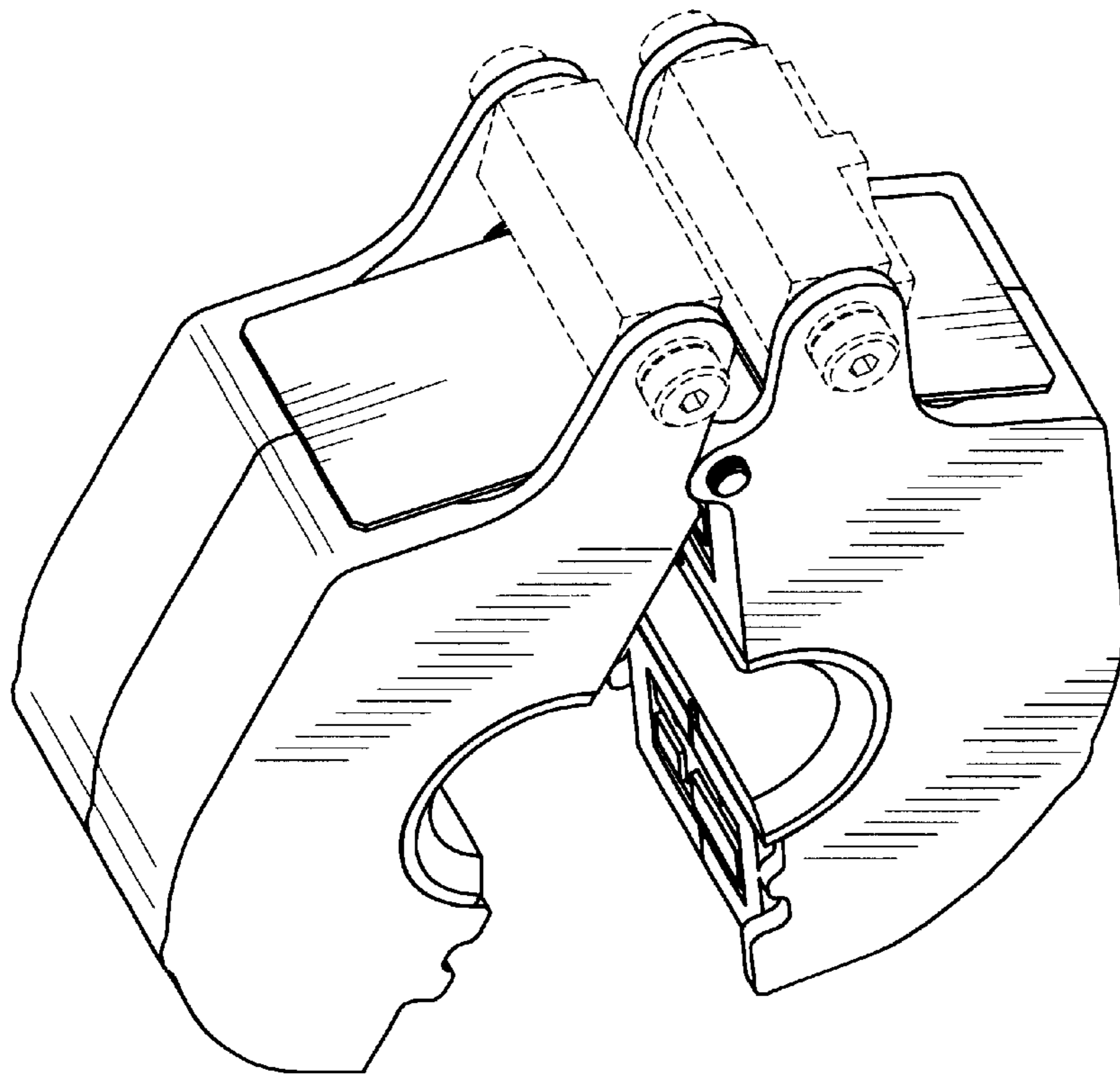


Fig. 16