



US00D534118S

(12) **United States Design Patent**  
**Lin**

(10) **Patent No.:** **US D534,118 S**

(45) **Date of Patent:** **\*\* \*Dec. 26, 2006**

(54) **ELECTRICAL CHARGER**

(76) Inventor: **Ming-Cheng Lin**, No. 3, Lane 94,  
Liu-Ku Rd., Liu-Ku Tsun, Wu-Feng  
Hsiang, Taichung Hsien (TW)

(\*) Notice: This patent is subject to a terminal disclaimer.

(\*\*) Term: **14 Years**

(21) Appl. No.: **29/178,585**

(22) Filed: **Mar. 27, 2003**

(51) **LOC (8) Cl.** ..... **13-02**

(52) **U.S. Cl.** ..... **D13/107**

(58) **Field of Classification Search** ..... D13/107,  
D13/108, 110, 118; 320/110-115  
See application file for complete search history.

(56) **References Cited**

**U.S. PATENT DOCUMENTS**

D227,680 S \* 7/1973 Fischer ..... D13/107

D250,015 S \* 10/1978 Schwartz ..... D13/107  
4,443,751 A \* 4/1984 Humphrey ..... 320/105  
D296,823 S \* 7/1988 Kuwa et al. .... D24/186  
D462,320 S \* 9/2002 Krieger et al. .... D13/107

\* cited by examiner

*Primary Examiner*—Joel Sincavage

(74) *Attorney, Agent, or Firm*—Charles E. Baxley

(57) **CLAIM**

The ornamental design for electrical charger, as shown and described.

**DESCRIPTION**

FIG. 1 is a perspective view of electrical charger showing my new design;

FIG. 2 is a front elevational view thereof;

FIG. 3 is a rear elevational view thereof;

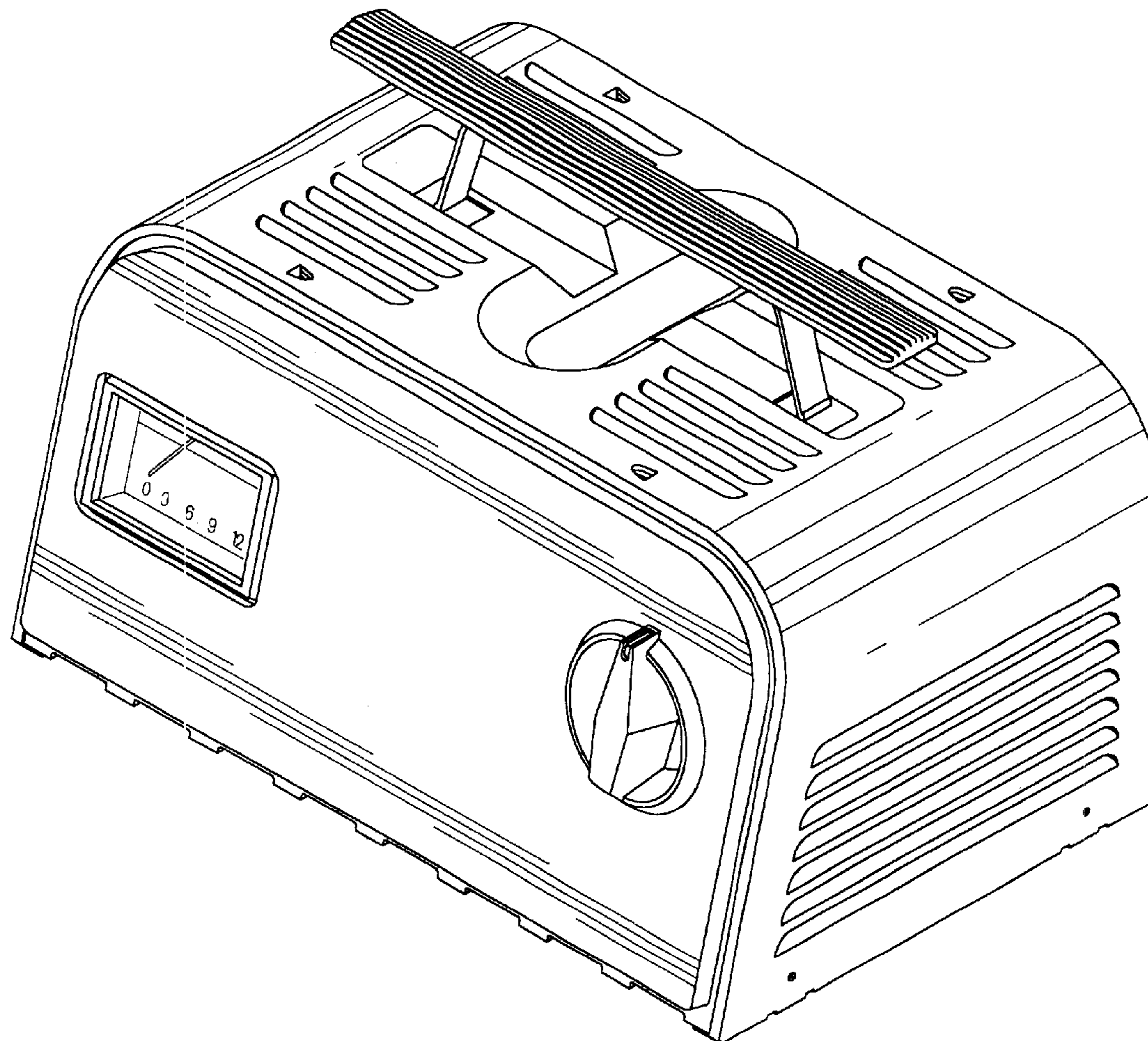
FIG. 4 is a left side elevational view thereof;

FIG. 5 is a right side elevational view thereof;

FIG. 6 is a top plan view thereof; and,

FIG. 7 is a bottom plan view thereof.

**1 Claim, 4 Drawing Sheets**



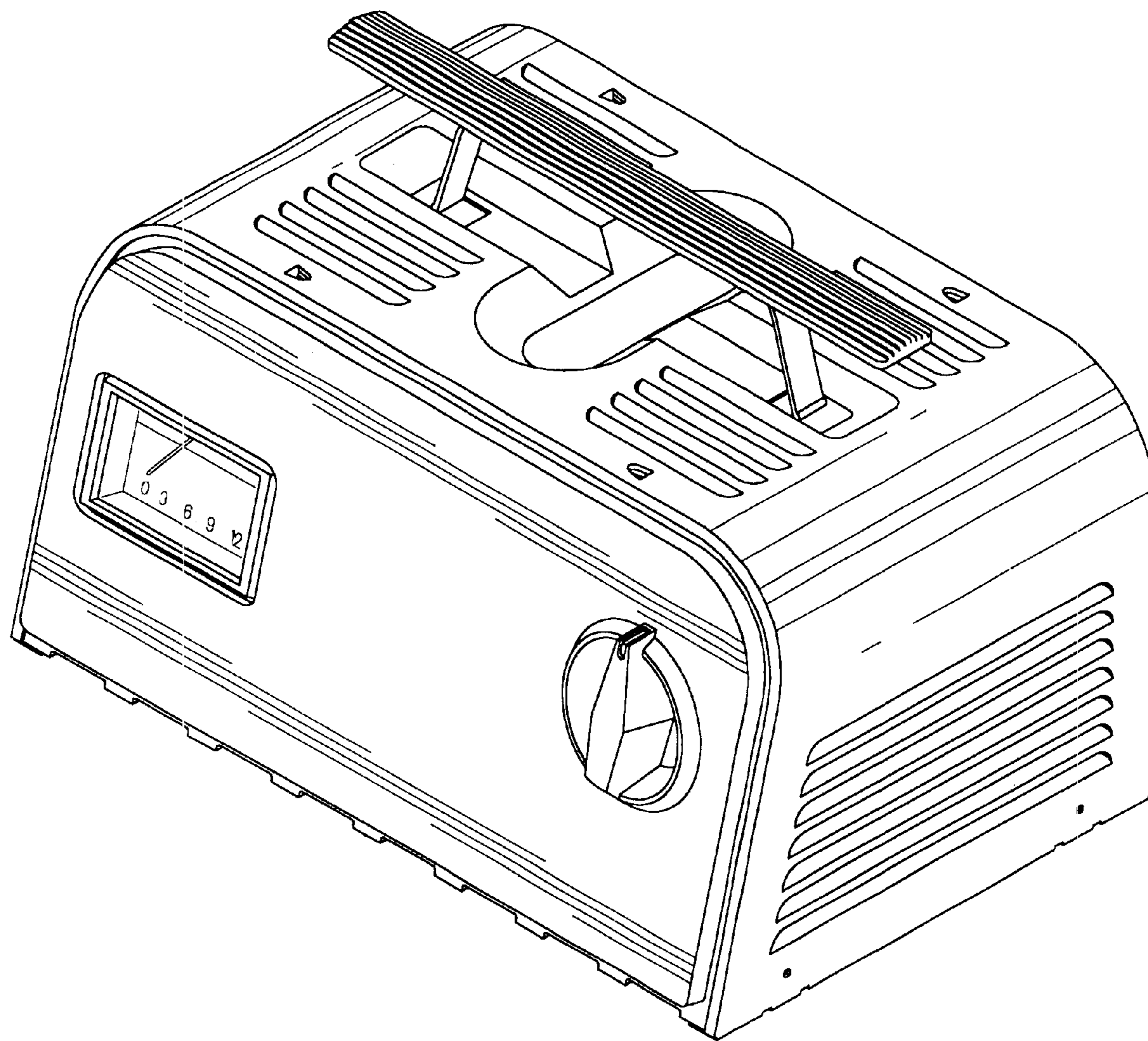


FIG. 1

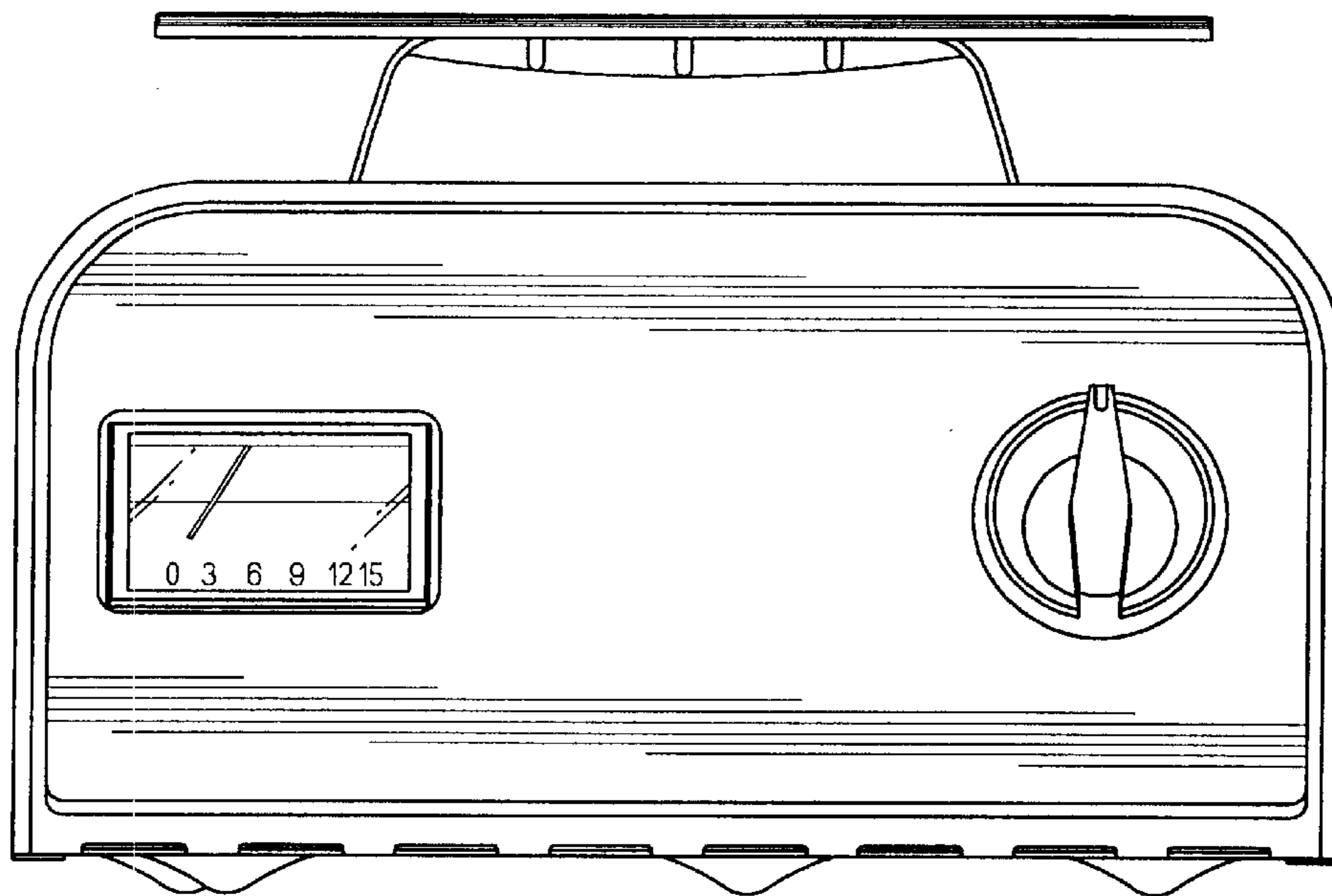


FIG. 2

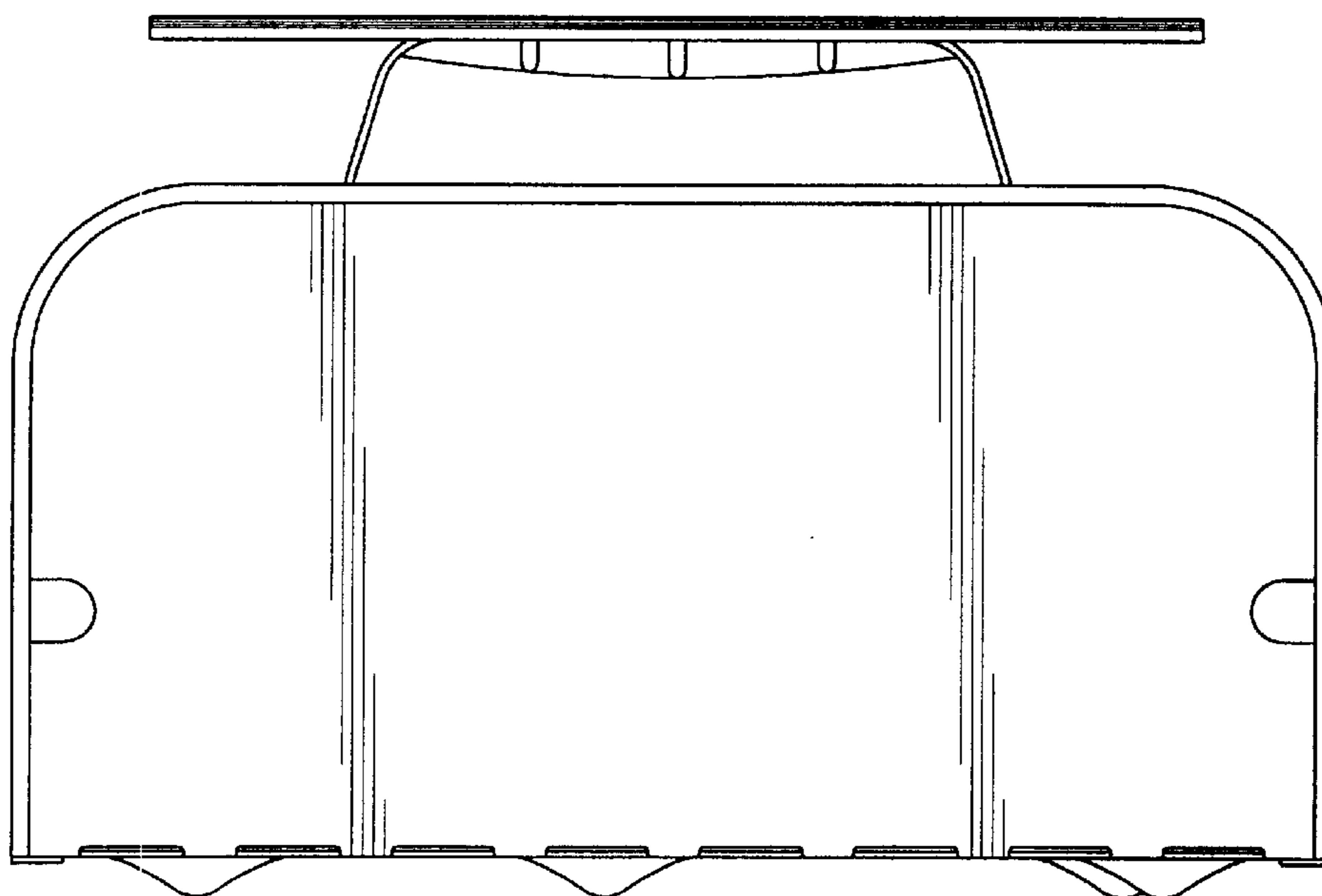


FIG. 3

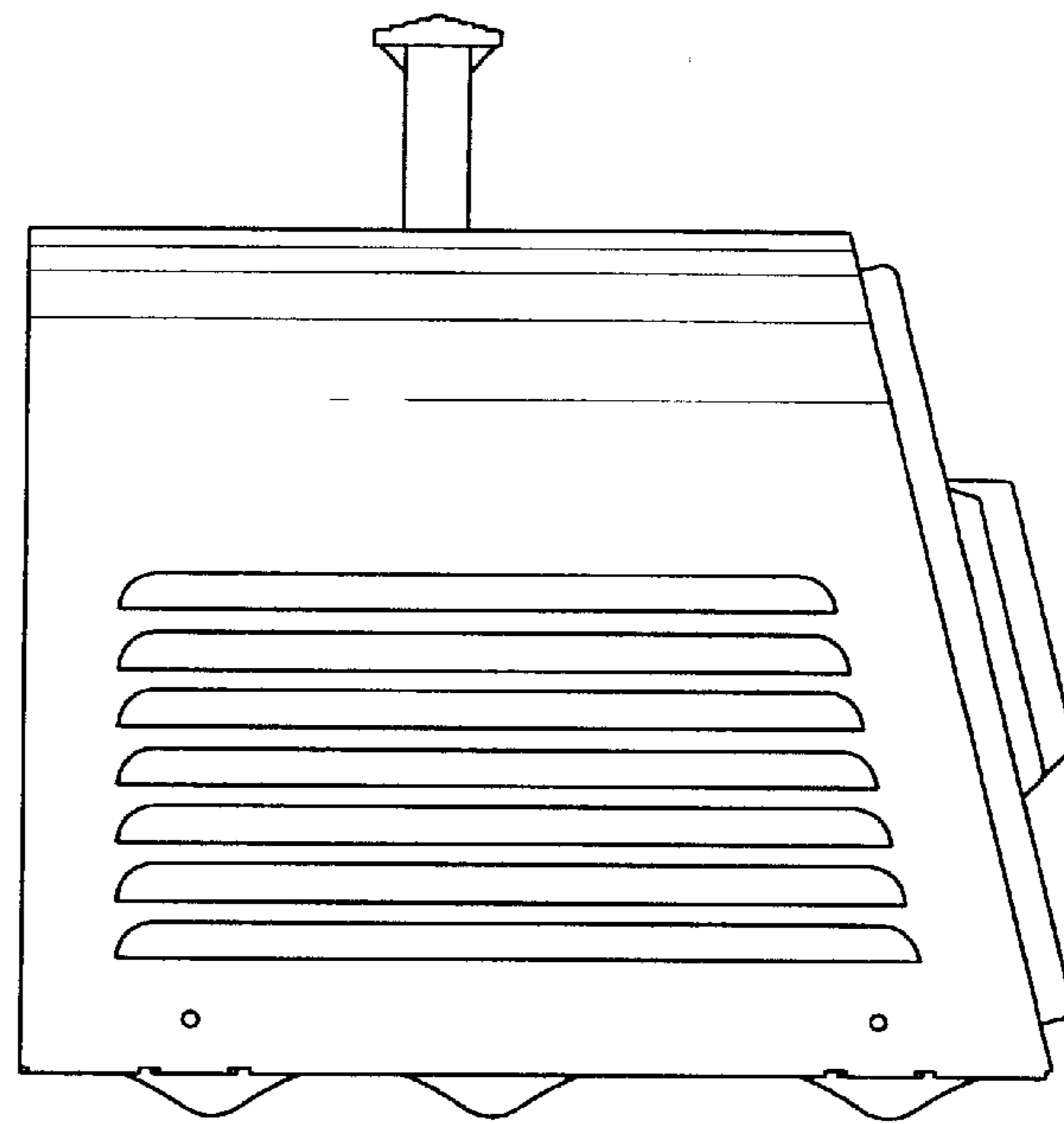


FIG. 4

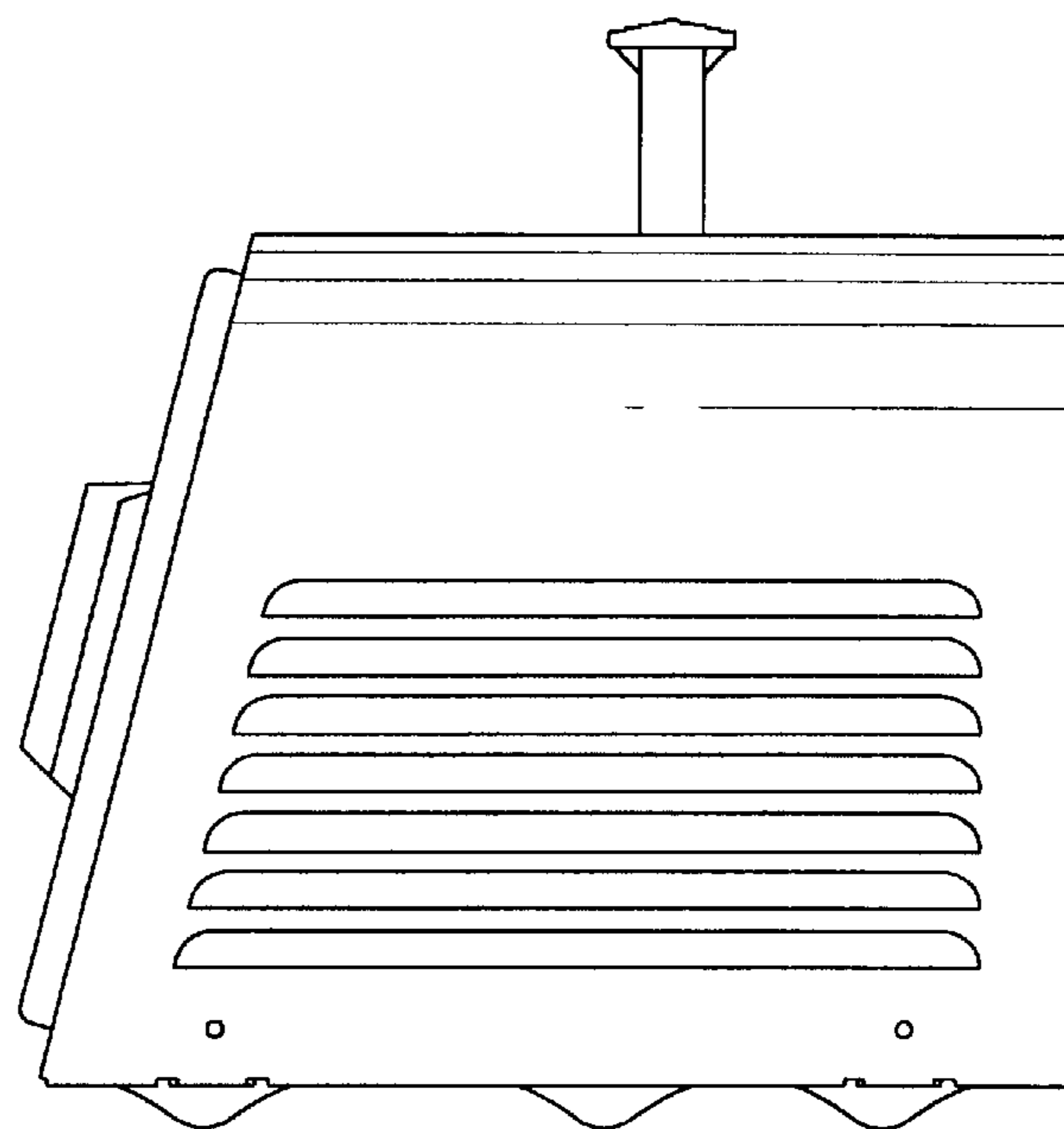


FIG. 5

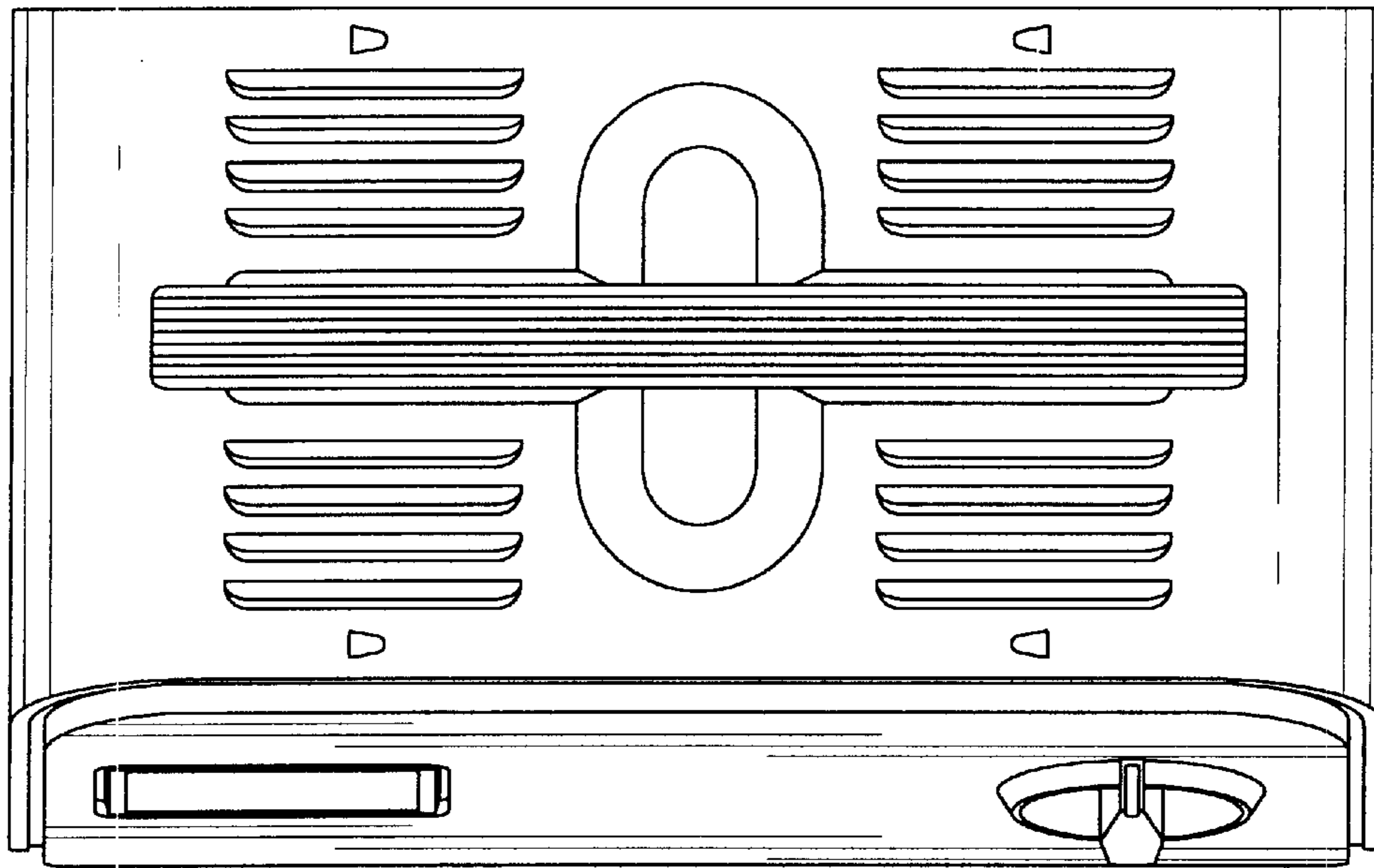


FIG. 6

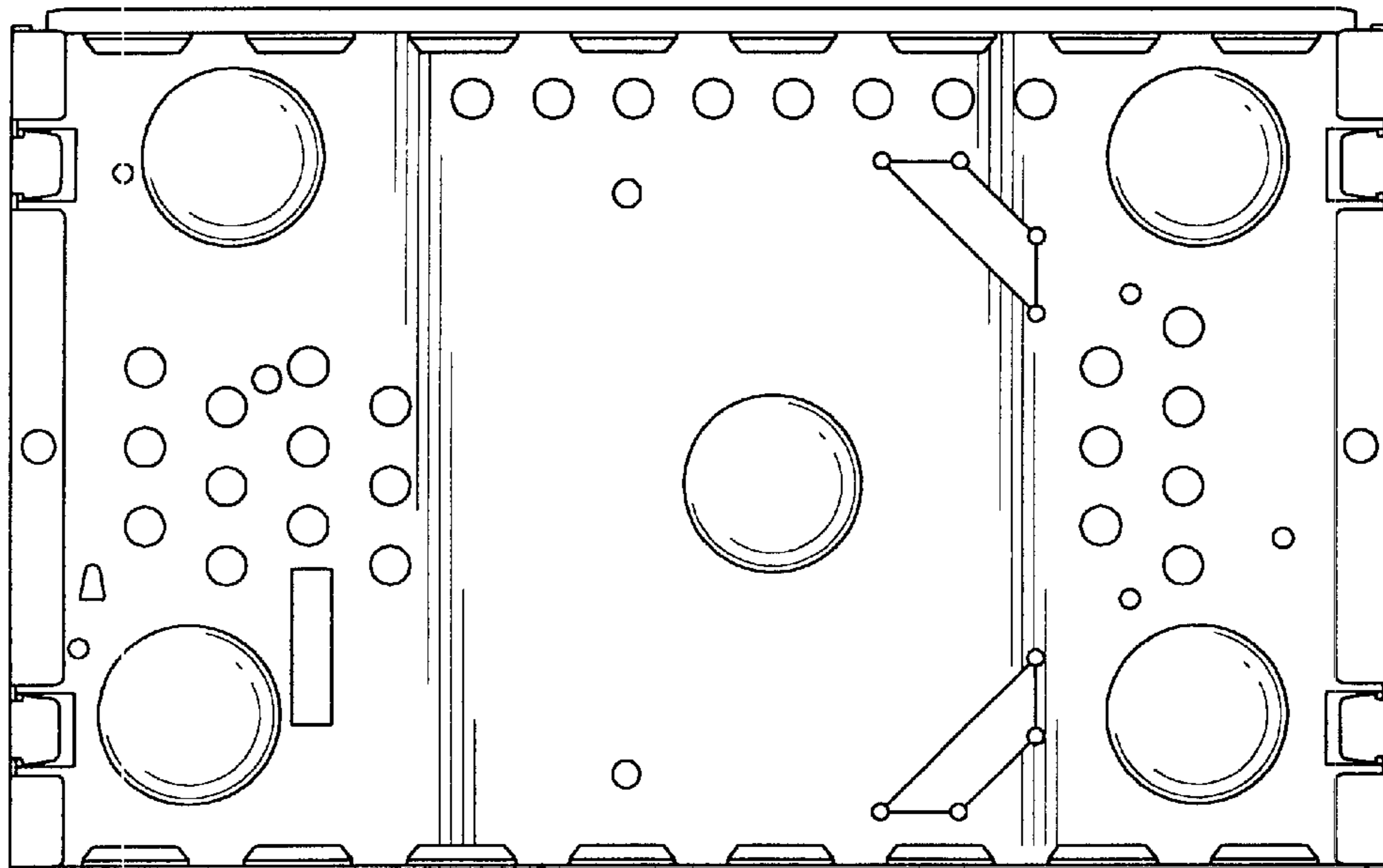


FIG. 7