



US00D534113S

(12) **United States Design Patent**
Metros et al.

(10) **Patent No.:** **US D534,113 S**

(45) **Date of Patent:** **** Dec. 26, 2006**

(54) **VEHICLE WHEEL COVER**

D523,387 S * 6/2006 Pfeiffer D12/211

(75) Inventors: **Craig Metros**, Bloomfield, MI (US);
Steve Gilmore, Redford, MI (US); **Jeff Nowak**,
Huntington Woods, MI (US)

* cited by examiner

Primary Examiner—Stacia Cadmus

(74) *Attorney, Agent, or Firm*—Gigette M. Bejin; Artz &
Artz, P.C.

(73) Assignee: **Ford Global Technologies, LLC**,
Dearborn, MI (US)

(57) **CLAIM**

(**) Term: **14 Years**

The ornamental design for a vehicle wheel cover, as shown
and described.

(21) Appl. No.: **29/251,376**

DESCRIPTION

(22) Filed: **Jan. 6, 2006**

(51) **LOC (8) Cl.** **12-16**

(52) **U.S. Cl.** **D12/211**

(58) **Field of Classification Search** D12/204–213;
301/37.101, 64.101, 65

See application file for complete search history.

The design is intended to be used in connection with a wheel
cover for a vehicle. The exemplary attachment mechanisms
for securing the wheel cover to the center portion of the
wheel are shown in broken lines in the various Figures but
do not form part of the claimed design. These attachment
mechanisms are present only to depict the environment for
the present invention and are not part of the claimed inven-
tion.

(56) **References Cited**

U.S. PATENT DOCUMENTS

D238,421 S	*	1/1976	Wittine	D12/211
4,460,219 A		7/1984	Sepanik		
4,842,339 A		6/1989	Roulinson		
4,895,415 A		1/1990	Stay et al.		
5,141,291 A		8/1992	Roulinson		
5,364,172 A		11/1994	Sopko et al.		
D409,968 S	*	5/1999	Goplen	D12/211
D480,677 S	*	10/2003	Atwell	D12/211
D502,136 S	*	2/2005	Pfeiffer	D12/211
D514,496 S	*	2/2006	Neeper	D12/211

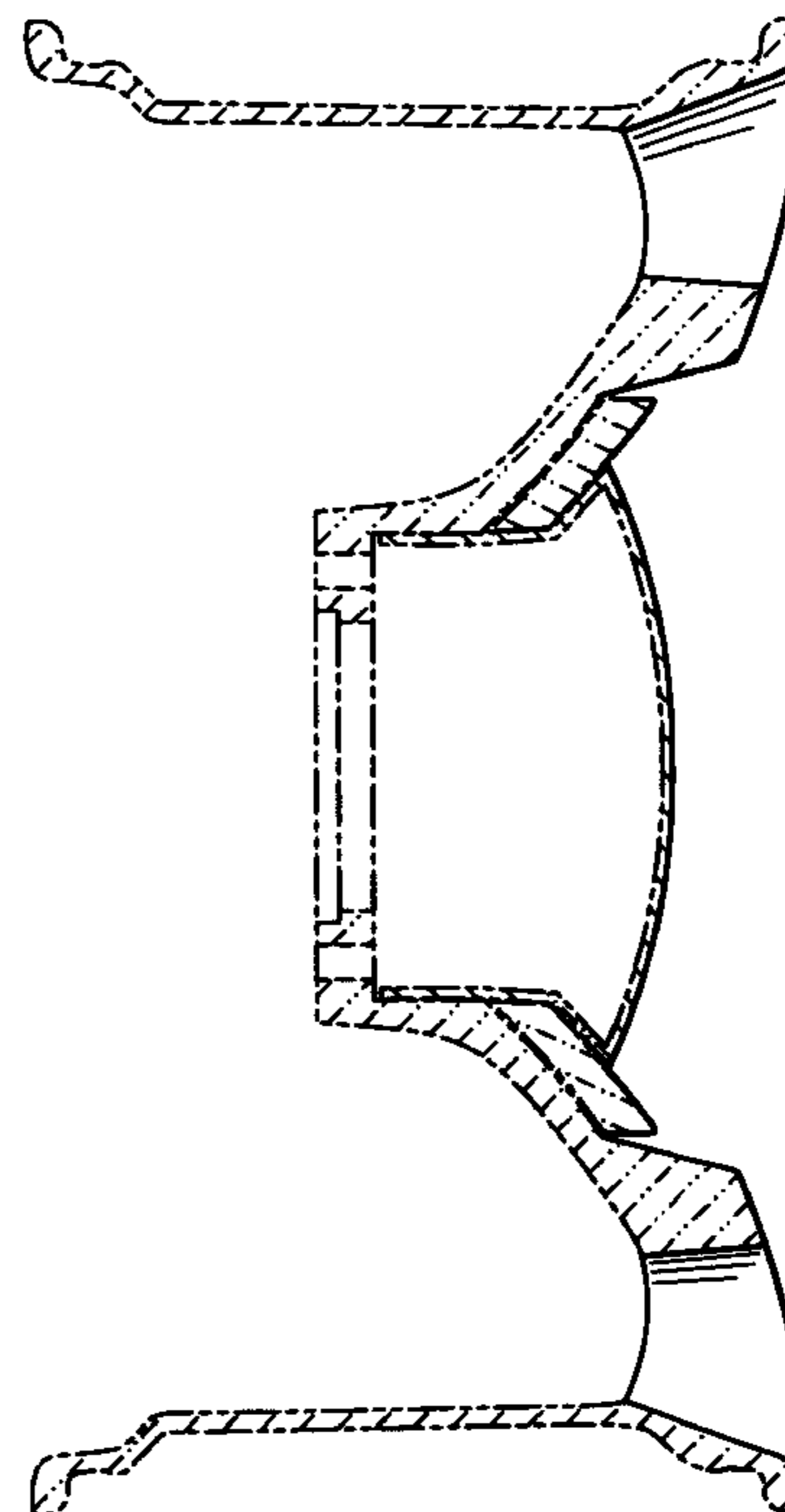
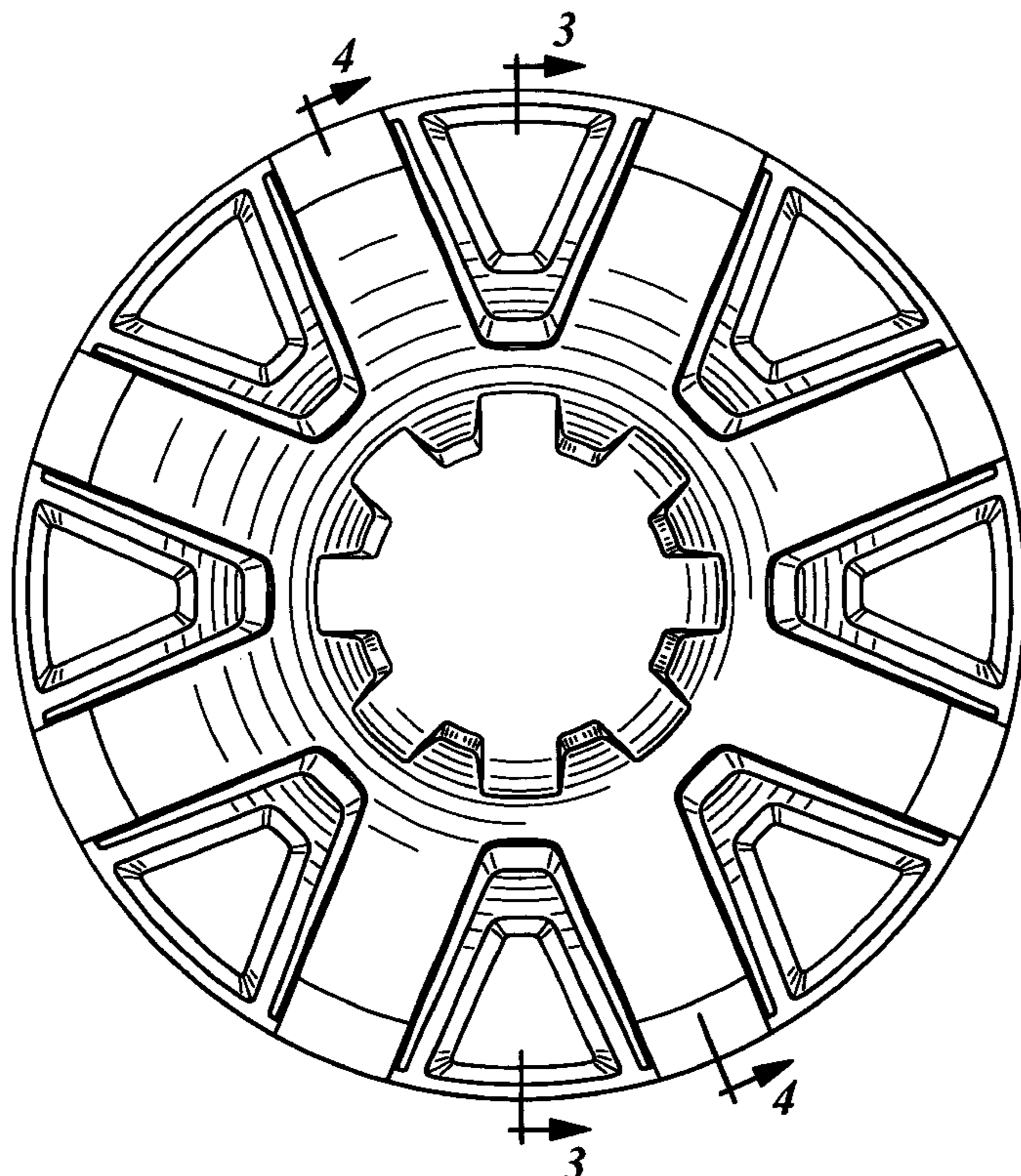
FIG. 1 is a perspective view of the vehicle wheel cover;
FIG. 2 is a front view of the vehicle wheel cover shown in
FIG. 1;

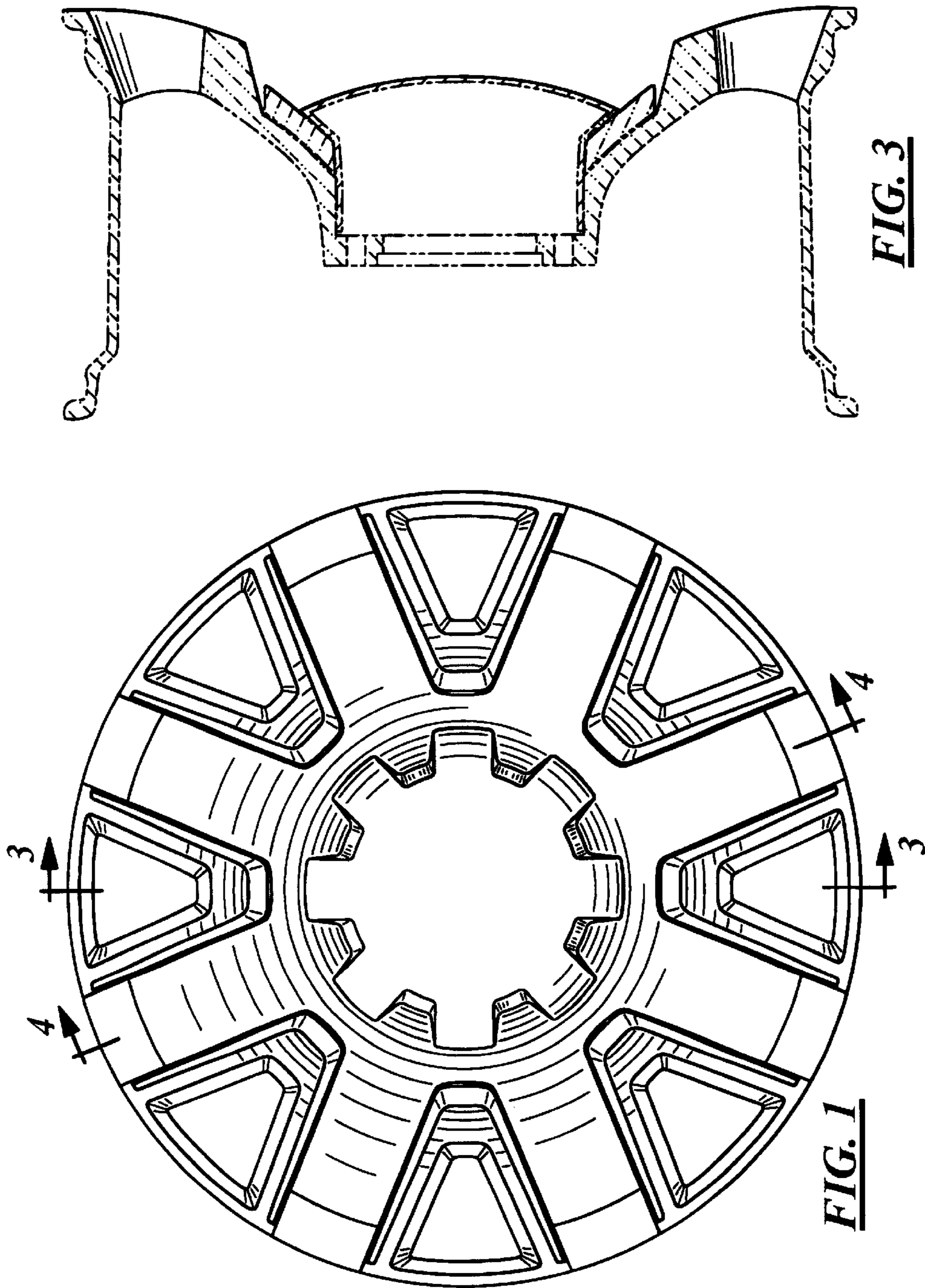
FIG. 3 is a cross-sectional view of the vehicle wheel cover
shown in FIG. 2 as taken along line 3—3; and,

FIG. 4 is a cross-sectional view of the vehicle wheel cover
shown in FIG. 2 as taken along line 4—4.

The broken line showing of environment is for illustrative
purposes only and forms no part of the claimed design.

1 Claim, 2 Drawing Sheets





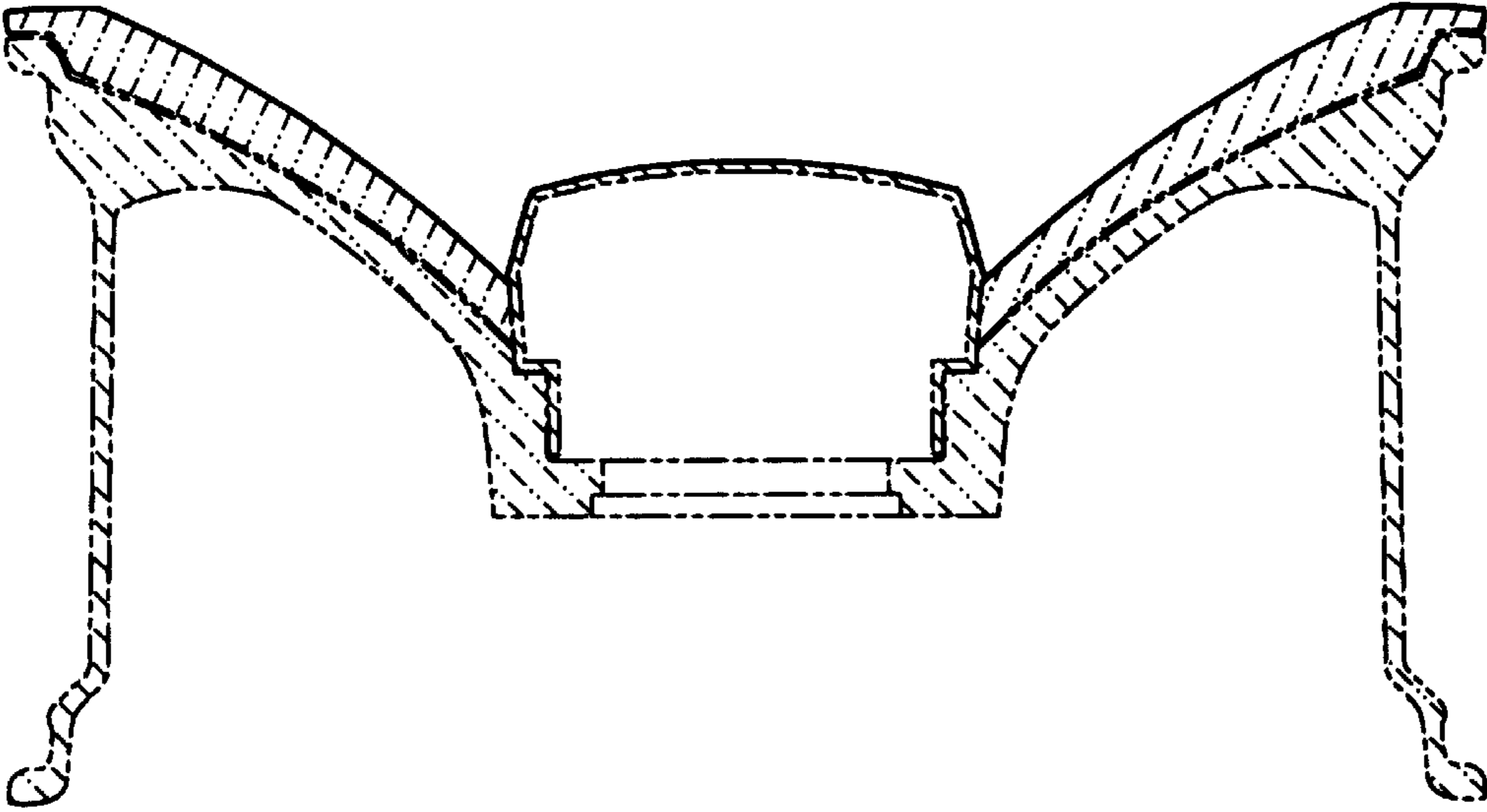


FIG. 4

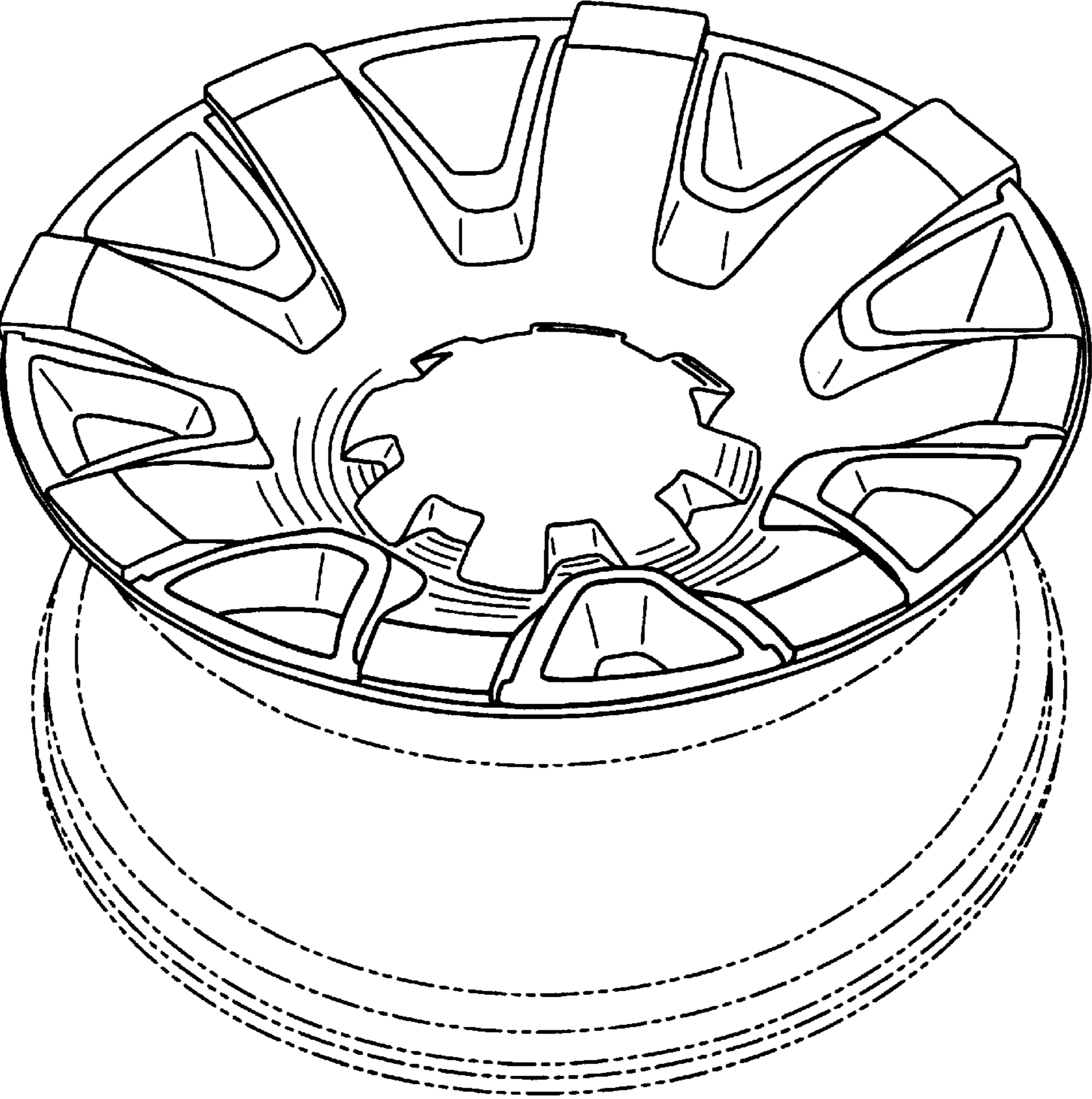


FIG. 2