



US00D534112S

(12) **United States Design Patent**  
**Holstein**

(10) **Patent No.:** **US D534,112 S**

(45) **Date of Patent:** **\*\* Dec. 26, 2006**

(54) **FRONT FACE OF A VEHICLE WHEEL**

(75) Inventor: **Henning Holstein**, Dietersburg (DE)

(73) Assignee: **Bayerische Motoren Werke Aktiengesellschaft**, Munich (DE)

(\*\*) Term: **14 Years**

D448,711 S	*	10/2001	Pusdesris	.....	D12/209
D448,713 S	*	10/2001	Ong	.....	D12/209
D460,728 S	*	7/2002	Clarke	.....	D12/209
D480,672 S	*	10/2003	Pfeiffer et al.	.....	D12/209
D481,000 S	*	10/2003	Wartono	.....	D12/209
D491,123 S	*	6/2004	Lai	.....	D12/209
D511,488 S	*	11/2005	Hou et al.	.....	D12/209
D520,934 S		5/2006	Szavits		

**FOREIGN PATENT DOCUMENTS**

EM 000380852-0002 10/2005

\* cited by examiner

*Primary Examiner*—Stacia Cadmus

(74) *Attorney, Agent, or Firm*—Crowell & Moring LLP

(21) Appl. No.: **29/260,242**

(22) Filed: **May 23, 2006**

(30) **Foreign Application Priority Data**

Nov. 24, 2005 (DE) ..... 40506027

(51) **LOC (8) Cl.** ..... **12-16**

(52) **U.S. Cl.** ..... **D12/209**

(58) **Field of Classification Search** ..... D12/204–213;  
301/37.101, 64.101, 65

See application file for complete search history.

(57) **CLAIM**

The ornamental design for a front face of a vehicle wheel, as shown and described.

**DESCRIPTION**

FIG. 1 is a front view of a front face of a vehicle wheel according to my novel design; and, FIG. 2 is a perspective view thereof.

The broken lines are for illustrative purposes only and form no part of the claimed design. Also enclosed is a set of photographs of an embodiment of the design.

(56) **References Cited**

**U.S. PATENT DOCUMENTS**

D408,774 S	*	4/1999	Nishida	.....	D12/209
D416,846 S	*	11/1999	Melegari et al.	.....	D12/209
D423,441 S	*	4/2000	Bildhaeuser	.....	D12/209
D428,844 S	*	8/2000	Wang	.....	D12/209
D430,525 S	*	9/2000	Lampkin	.....	D12/211

**1 Claim, 1 Drawing Sheet**



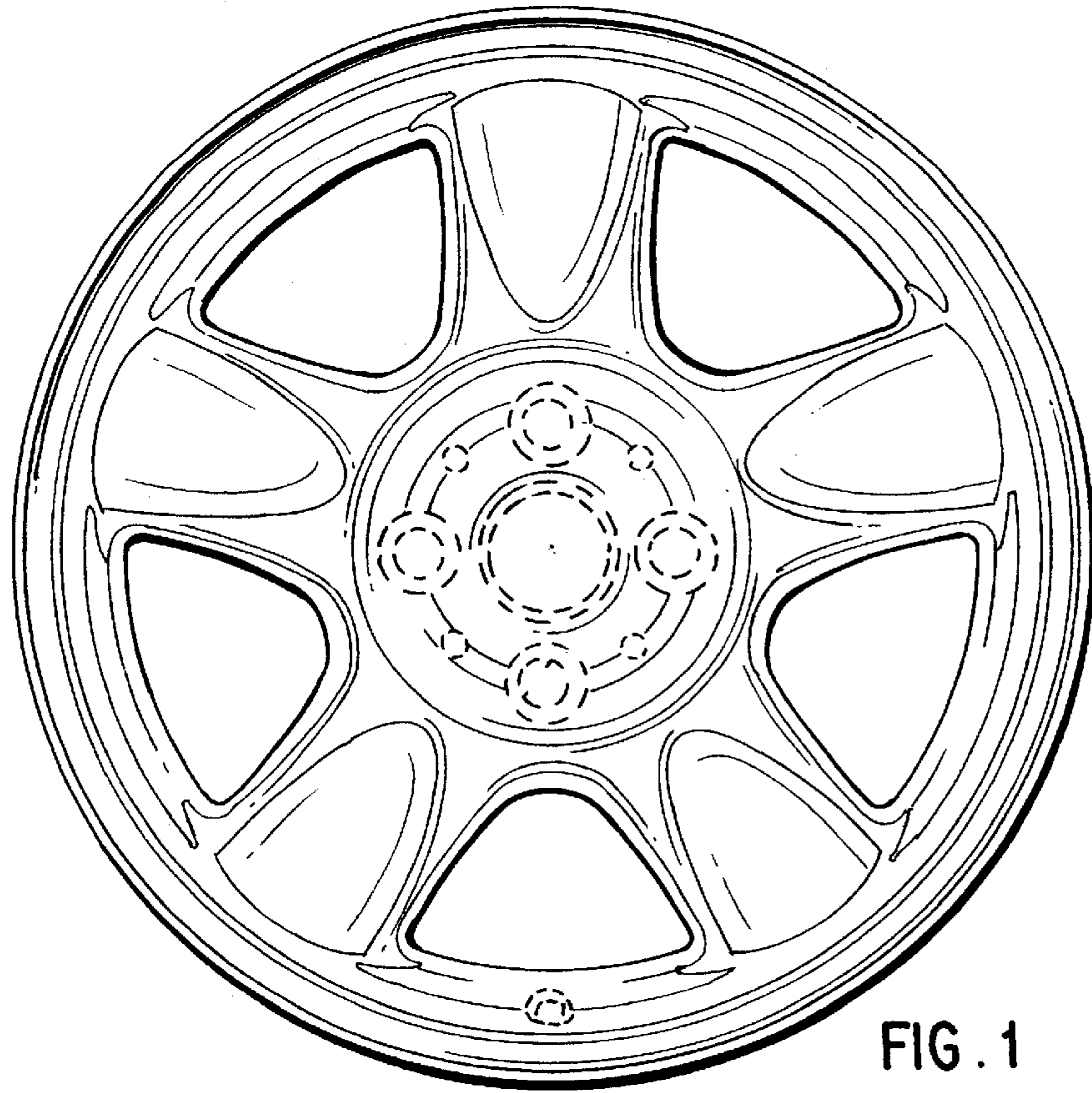


FIG. 1

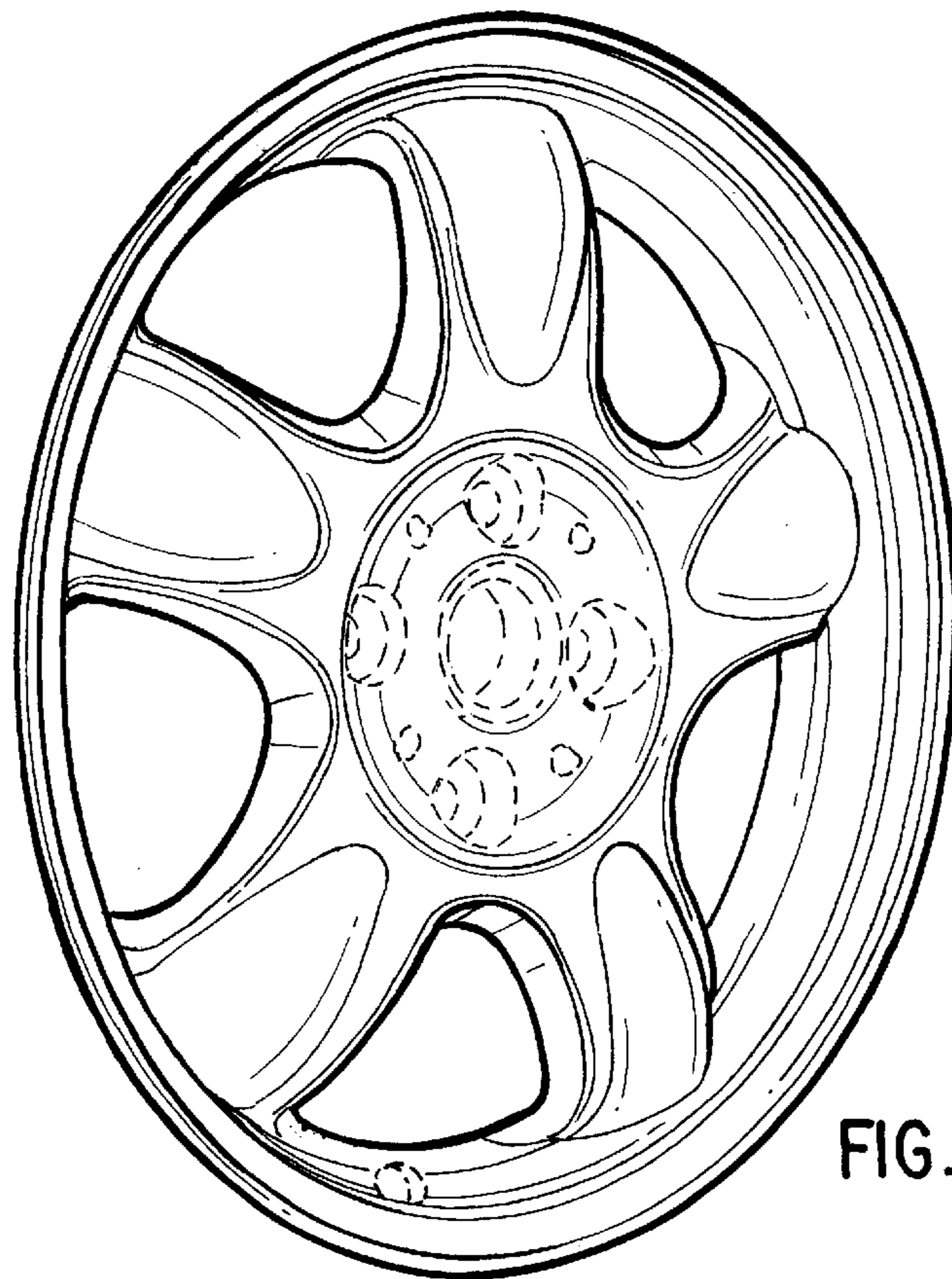


FIG. 2