



US00D534110S

(12) **United States Design Patent** (10) **Patent No.:** **US D534,110 S**  
**Kellermann** (45) **Date of Patent:** **\*\* \*Dec. 26, 2006**

(54) **LICENSE PLATE HOLDER**

(75) Inventor: **Guido Kellermann**, Aachen (DE)

(73) Assignee: **Guido Kellermann**  
**Produktentwicklung & Handel**,  
Aachen (DE)

(\*) Notice: This patent is subject to a terminal disclaimer.

(\*\*) Term: **14 Years**

(21) Appl. No.: **29/228,987**

(22) Filed: **Apr. 29, 2005**

(30) **Foreign Application Priority Data**

Oct. 30, 2004 (DE) ..... 404 06 189  
Mar. 1, 2005 (DE) ..... 405 01 244

(51) **LOC (8) Cl.** ..... **12-16**

(52) **U.S. Cl.** ..... **D12/193**

(58) **Field of Classification Search** ..... D12/110,  
D12/114, 184-186, 190, 193, 223; 280/152.1,  
280/152.2, 152.3, 304.3, 854, 847-852, 160.1,  
280/770; 293/1, 142, 473-476, 105; 362/473-476,  
362/549, 226, 487, 497; 40/154, 618, 200-204,  
40/207-216; 411/371; 340/134; D26/34

See application file for complete search history.

(56) **References Cited**

U.S. PATENT DOCUMENTS

6,099,151 A \* 8/2000 Tlustos ..... 362/473  
2004/0079009 A1 \* 4/2004 Arrua ..... 40/204  
2004/0170024 A1 \* 9/2004 Sheu et al. .... 362/473

\* cited by examiner

*Primary Examiner*—Stella Reid  
*Assistant Examiner*—Linda Brooks  
(74) *Attorney, Agent, or Firm*—Collard & Roe, P.C.

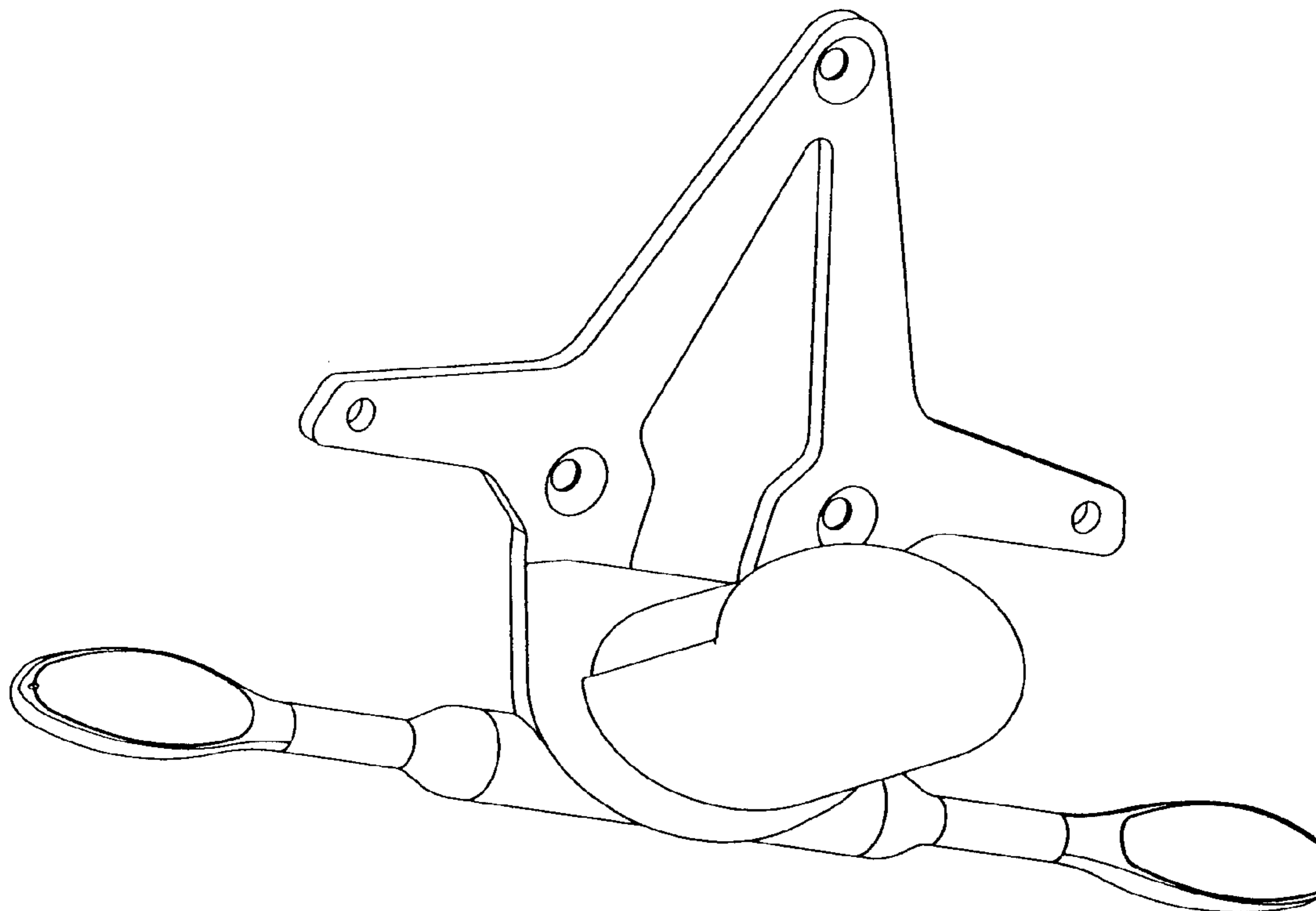
(57) **CLAIM**

The ornamental design for a license plate holder, as shown and described.

**DESCRIPTION**

FIG. 1 shows a top view of my design for a license plate holder;  
FIG. 2 shows a bottom view thereof;  
FIG. 3 shows a front view thereof;  
FIG. 4 shows a rear view thereof;  
FIG. 5 shows a side view thereof;  
FIG. 6 shows an opposite side view thereof; and,  
FIG. 7 shows a perspective view thereof.

**1 Claim, 7 Drawing Sheets**



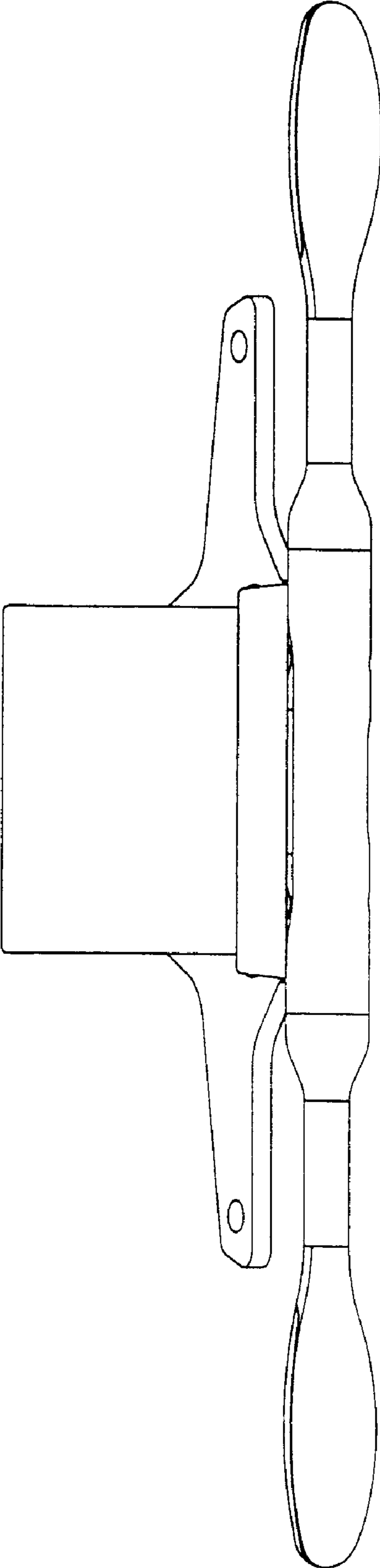


FIG. 1

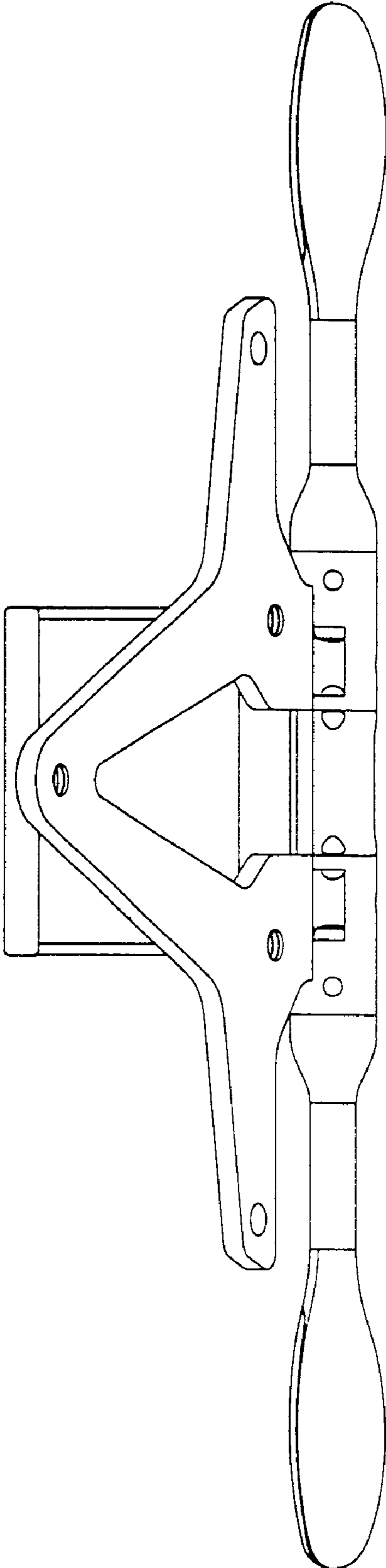


FIG. 2

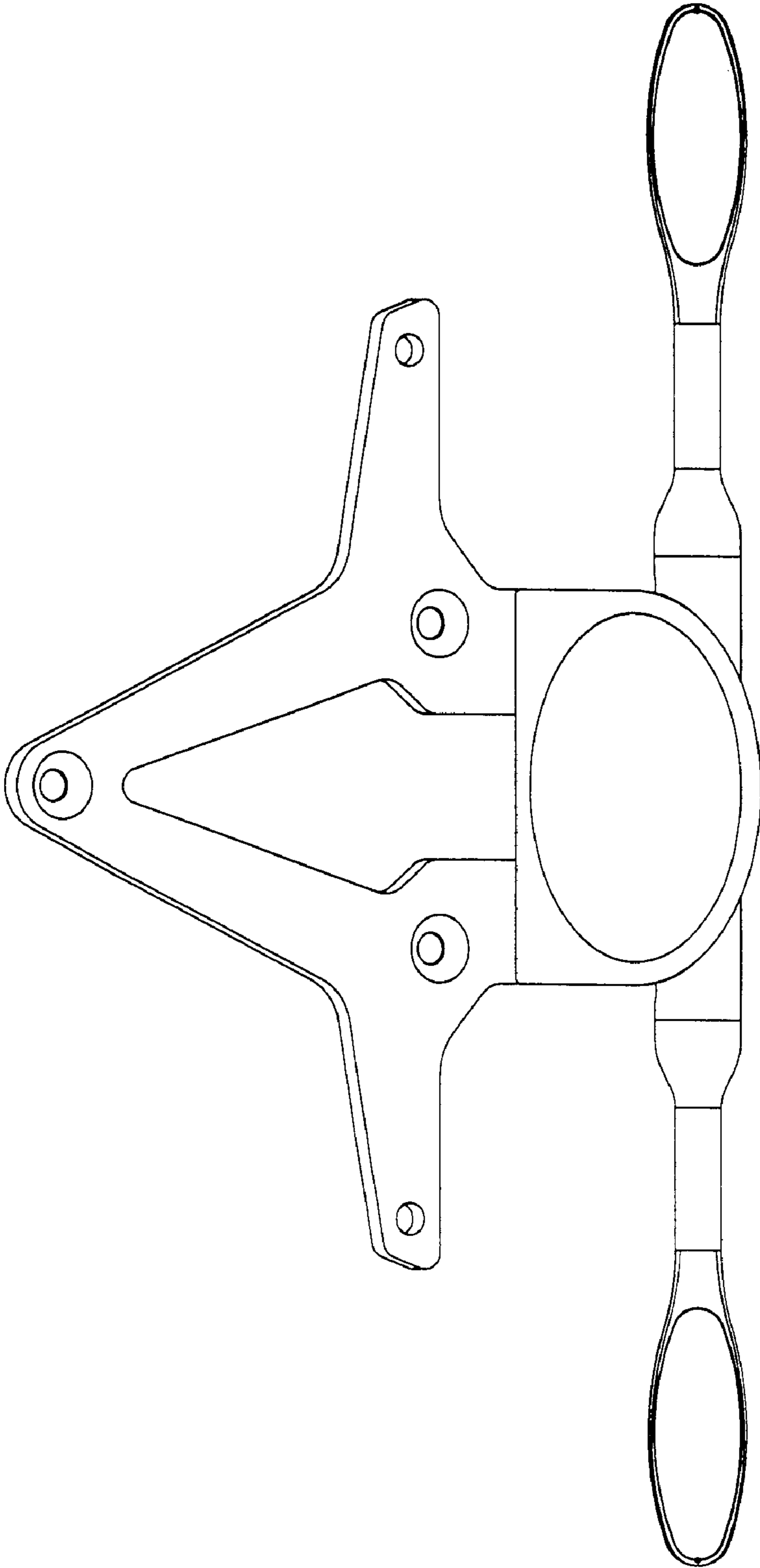


FIG. 3

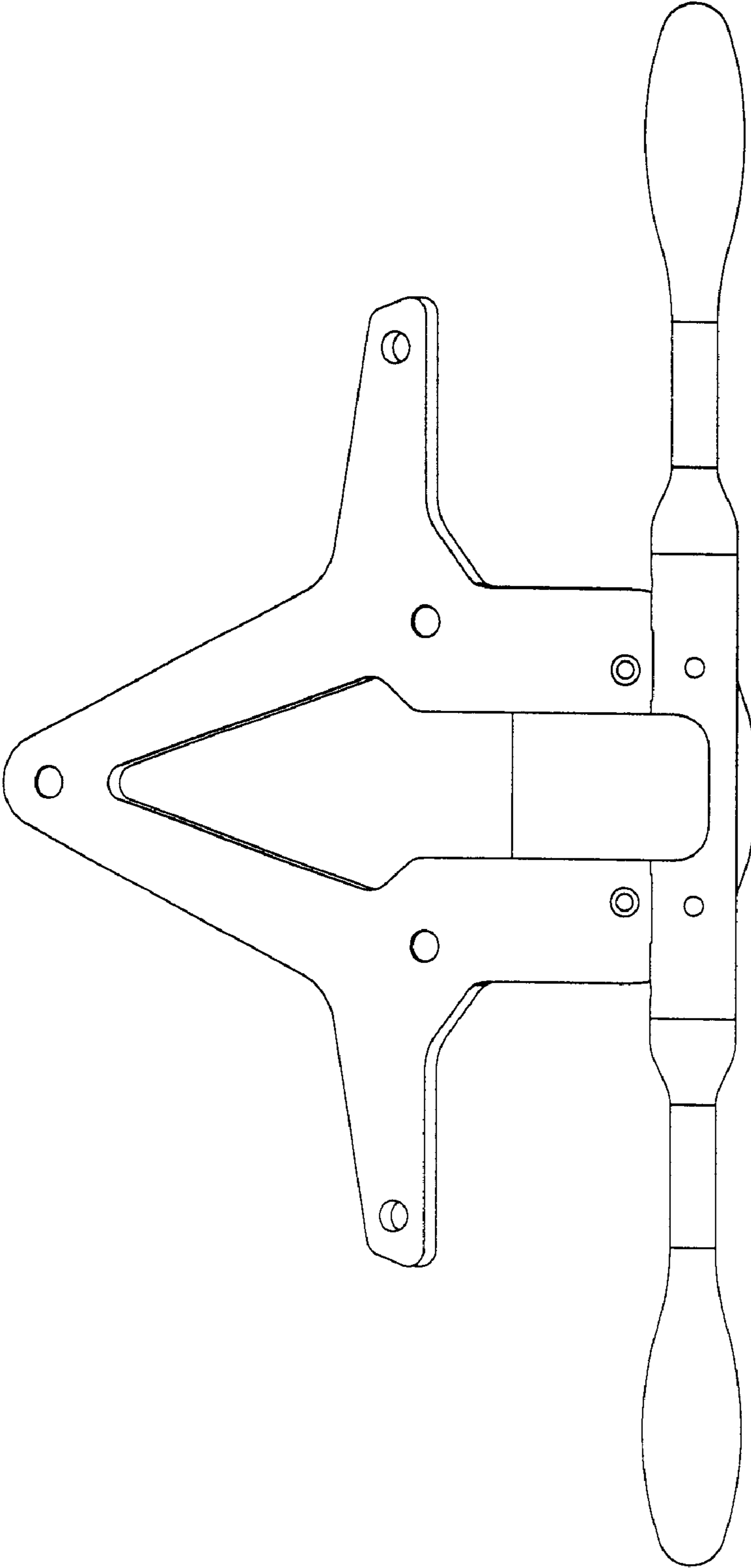


FIG. 4

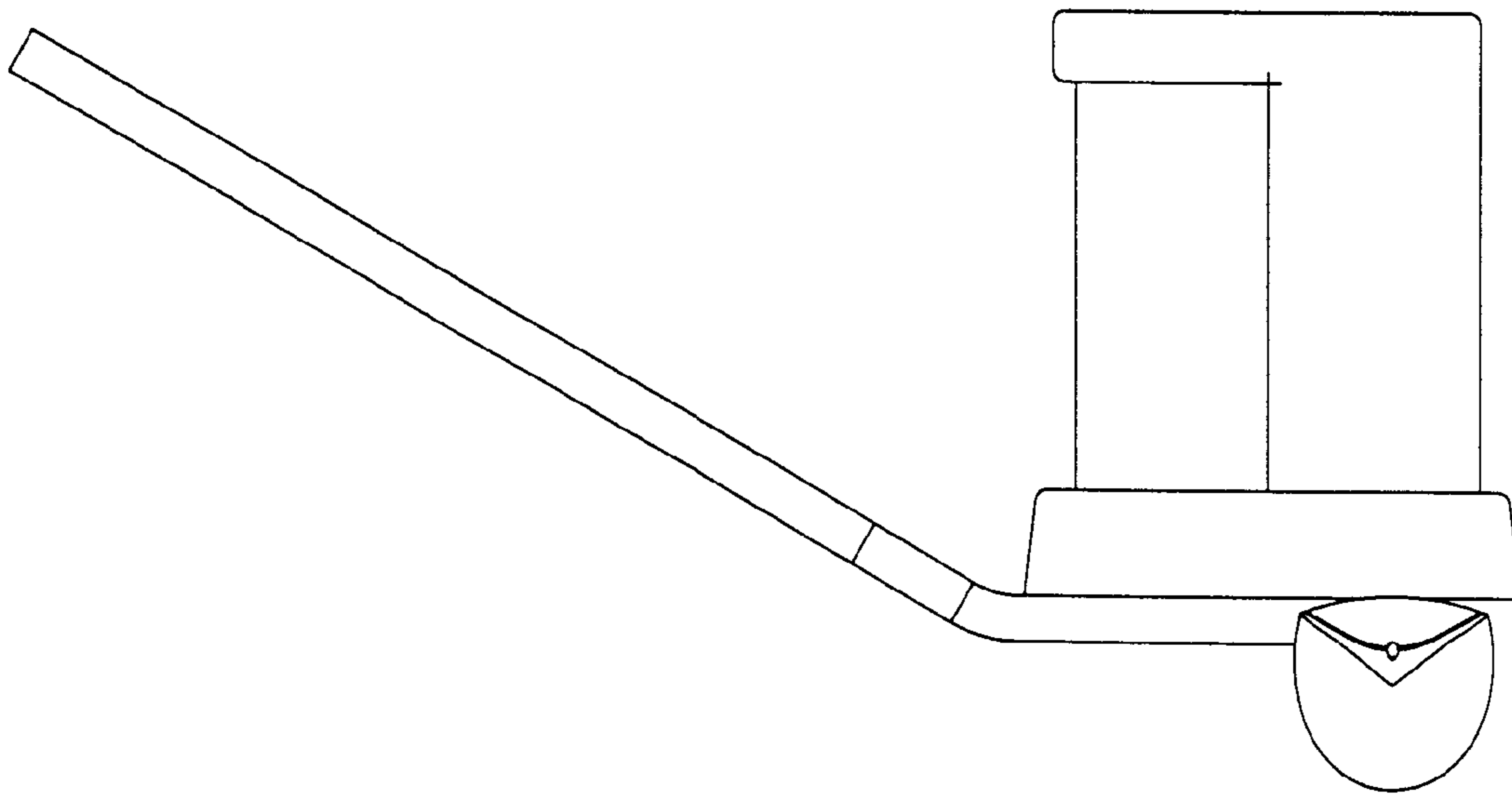


FIG. 5

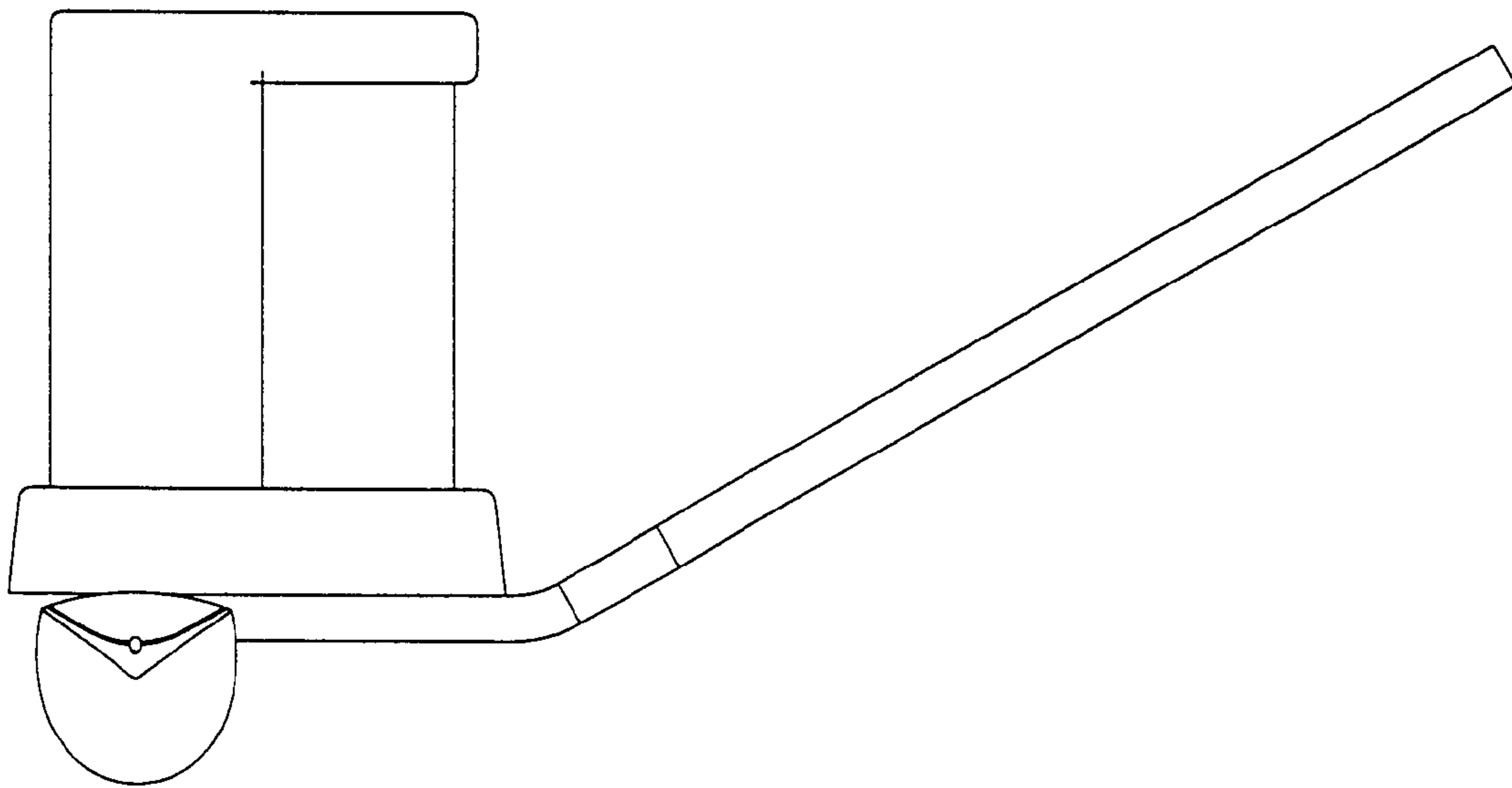


FIG. 6

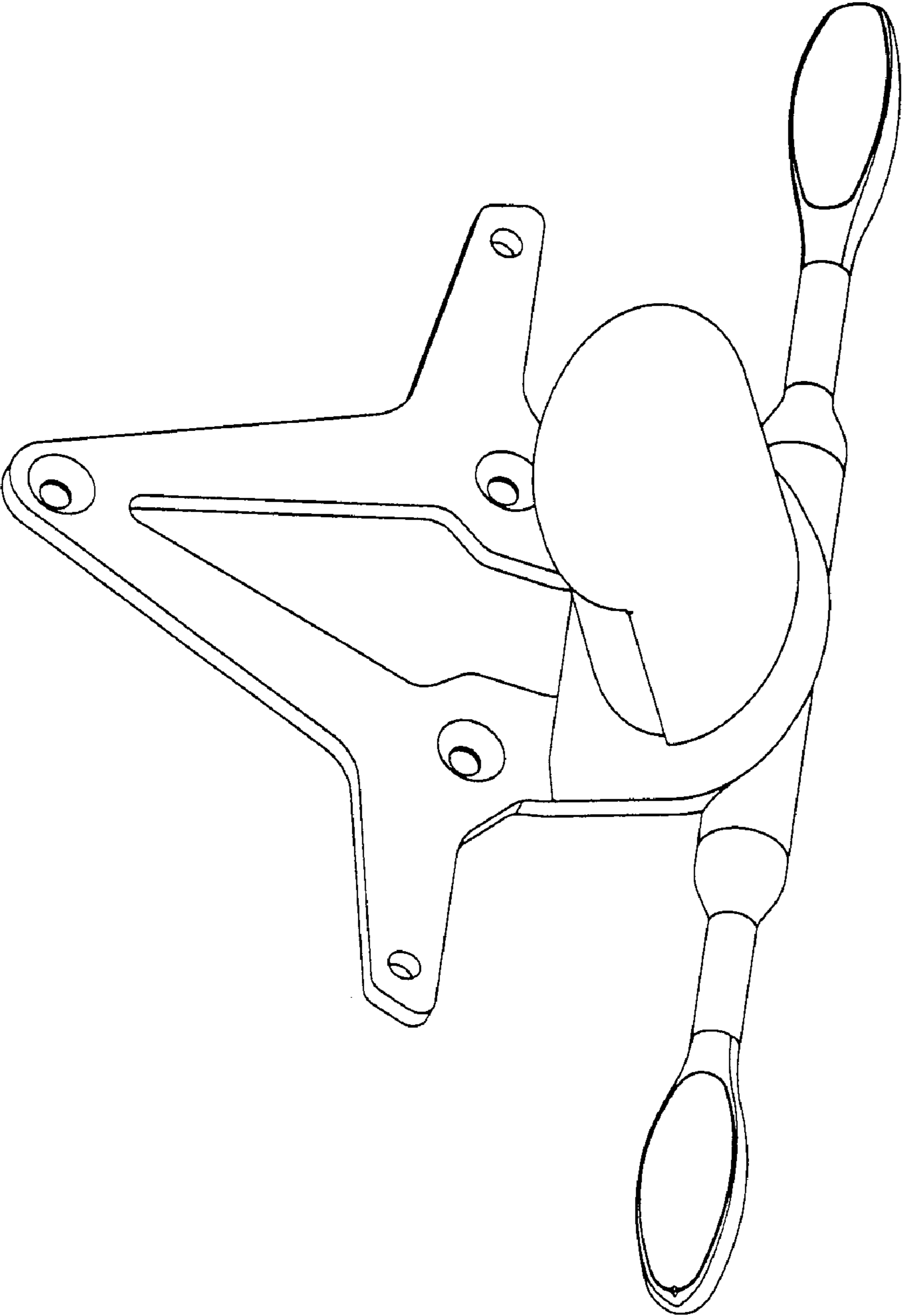


FIG. 7