



US00D534109S

(12) **United States Design Patent**
Camm

(10) **Patent No.:** **US D534,109 S**

(45) **Date of Patent:** **** Dec. 26, 2006**

(54) **MOUNTING BRACKET FOR EXTERIOR DRIVING MIRRORS**

(76) Inventor: **Peter J. Camm**, 1536 Tillingham Gardens, Mississauga, Ontario (CA), L5M 3J3

(**) Term: **14 Years**

(21) Appl. No.: **29/219,292**

(22) Filed: **Dec. 16, 2004**

(51) **LOC (8) Cl.** **12-16**

(52) **U.S. Cl.** **D12/187; D12/223**

(58) **Field of Classification Search** D12/187-189, D12/223, 221, 98; 359/838-851, 855-868, 359/871-881; D8/349, 354; 248/539, 549, 248/475.1; 296/146.1, 183, 198, 39.1, 39.2, 296/37.6; 29/417, 897.2, 897.3, 897.32
See application file for complete search history.

(56) **References Cited**

U.S. PATENT DOCUMENTS

3,881,768 A	*	5/1975	Nix	296/39.2
D249,494 S	*	9/1978	Lambitz et al.	D12/221
D250,702 S	*	1/1979	VandenBrink et al.	D12/187
D271,009 S	*	10/1983	Fishler	D12/221
D285,549 S	*	9/1986	Haack	D12/187
D300,737 S	*	4/1989	Charet et al.	D12/187
D331,896 S	*	12/1992	Pickering	D12/221
D336,062 S	*	6/1993	Austin	D12/221

D368,887 S	*	4/1996	Upshaw	D12/221
D378,288 S	*	3/1997	Santo	D12/187
5,623,374 A	*	4/1997	Montanbault	D12/187
D393,823 S	*	4/1998	Phillips	D12/189
D402,617 S	*	12/1998	Adams, III	D12/160
D465,187 S	*	11/2002	Walker et al.	D12/221
D466,856 S	*	12/2002	Gates et al.	D12/223
D488,764 S	*	4/2004	Sierakowski et al.	D12/221

* cited by examiner

Primary Examiner—Melody N. Brown

(74) *Attorney, Agent, or Firm*—Robert F. Delbridge

(57) **CLAIM**

The ornamental design for a mounting bracket for exterior driving mirrors, as shown and described.

DESCRIPTION

FIG. 1 is a front perspective view from the left and top of the mounting bracket for exterior driving mirrors in accordance with my design;

FIG. 2 is a rear perspective view thereof from the right and below;

FIG. 3 is a left side view thereof;

FIG. 4 is a front view thereof;

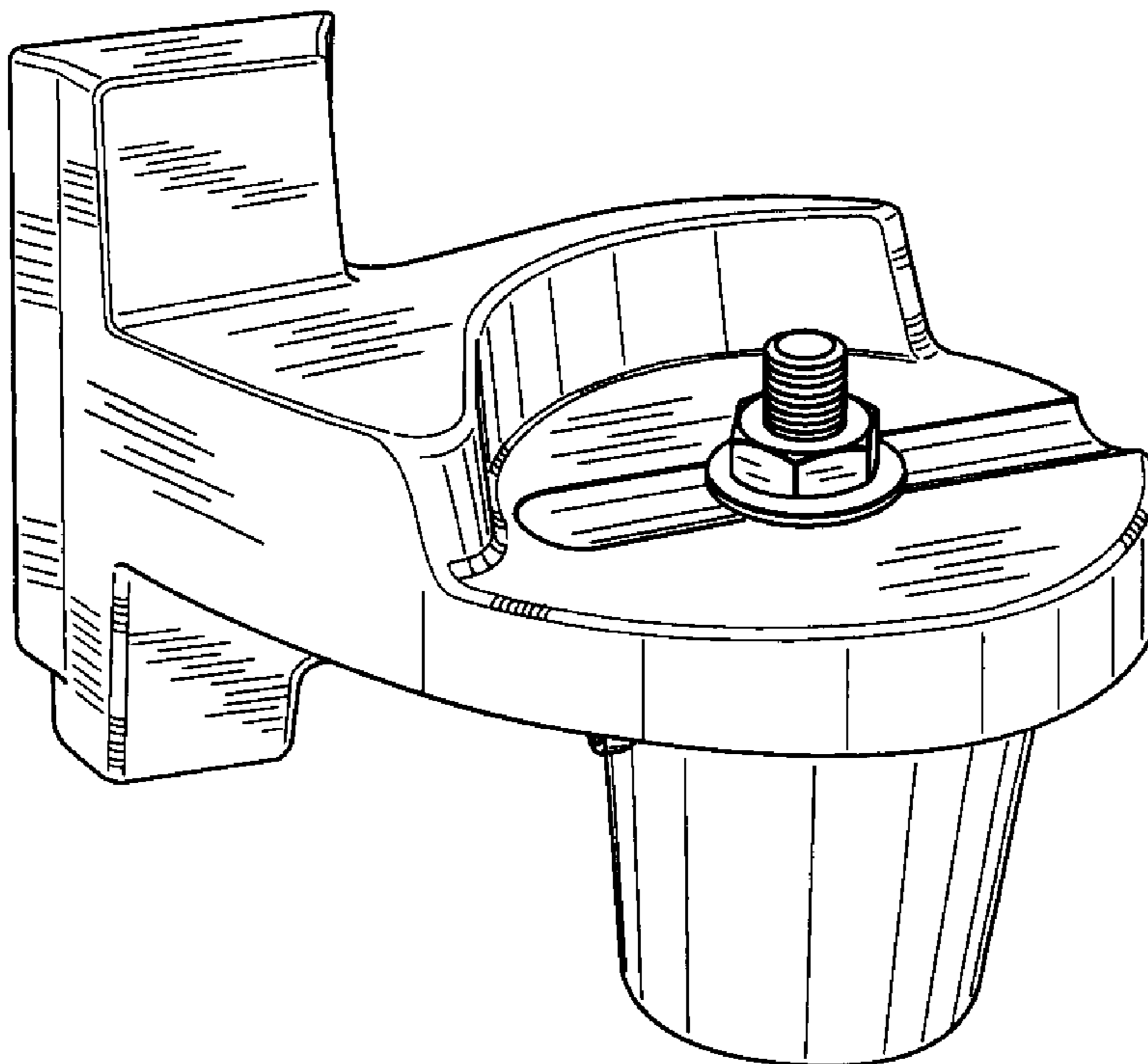
FIG. 5 is a right side view thereof;

FIG. 6 is a rear view thereof;

FIG. 7 is a top view thereof; and,

FIG. 8 is a bottom view thereof.

1 Claim, 3 Drawing Sheets



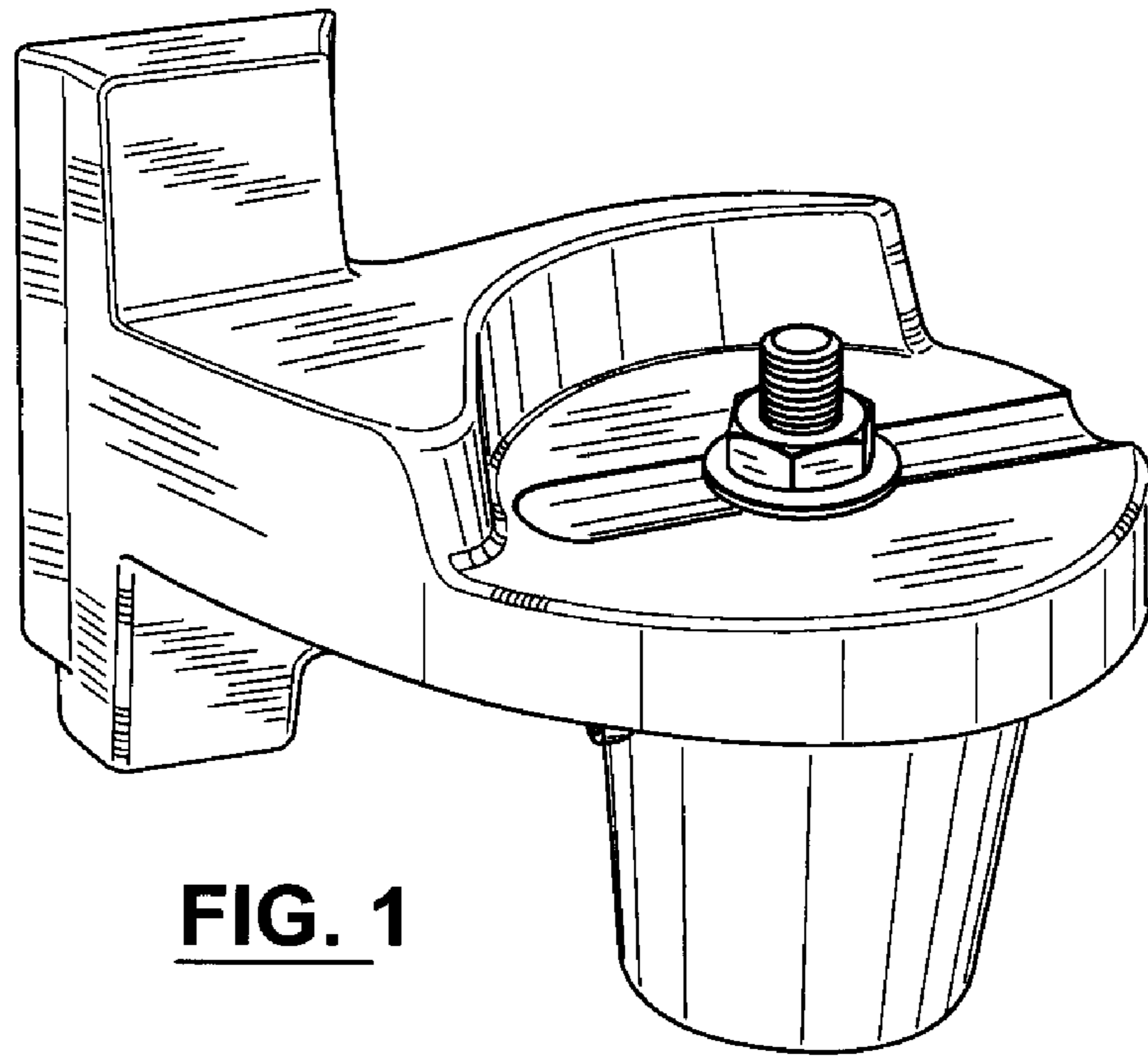


FIG. 1

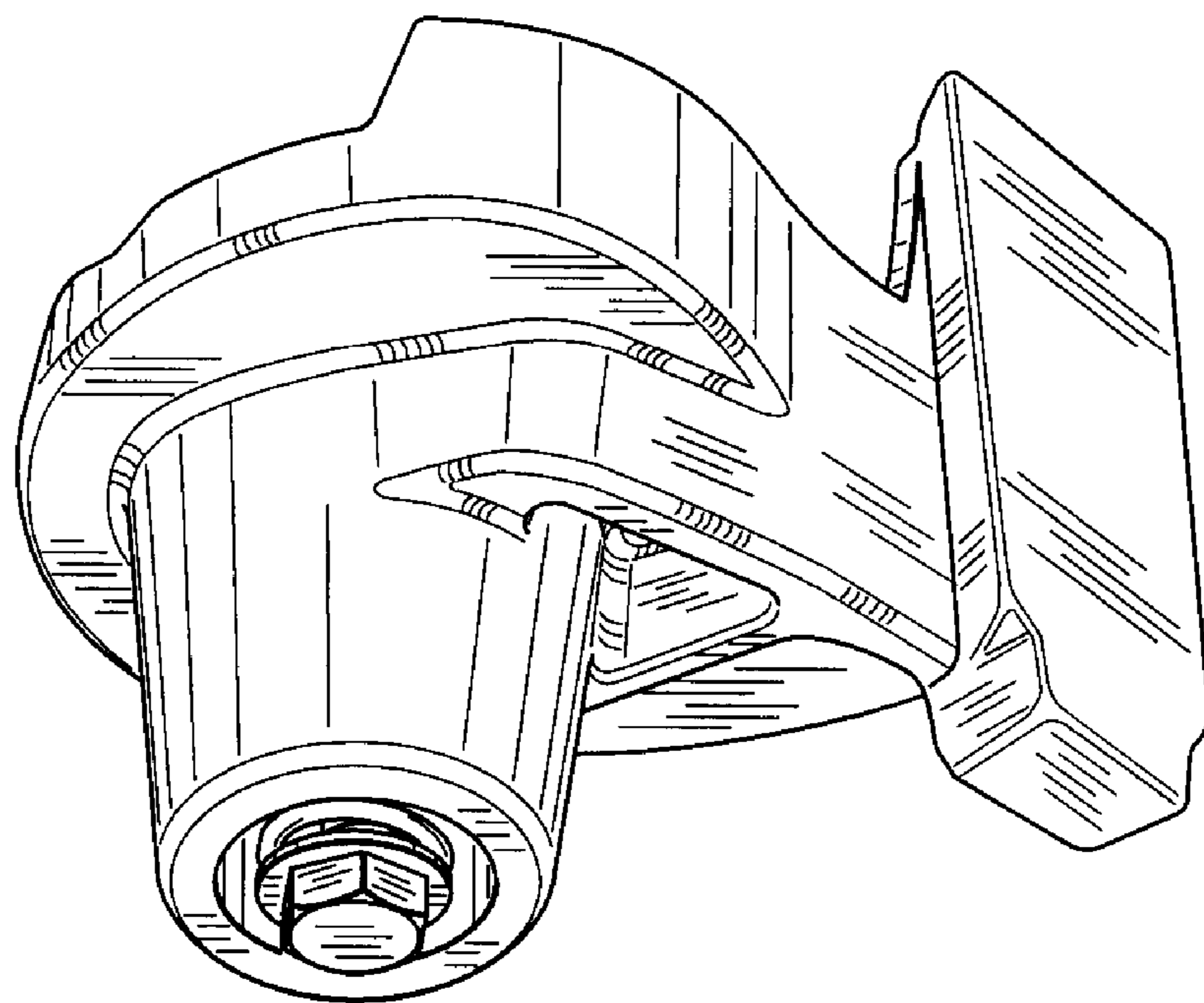


FIG. 2

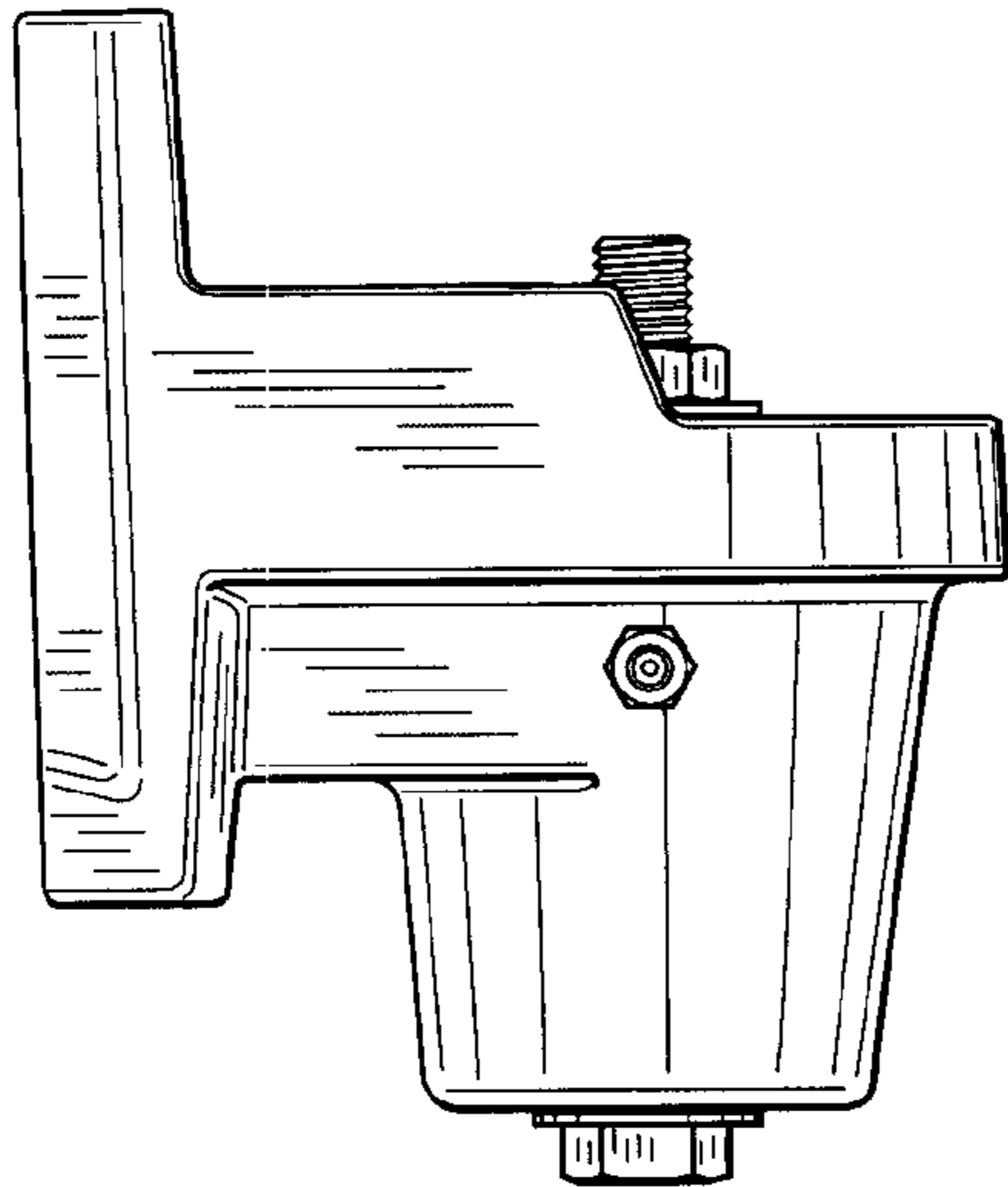


FIG. 3

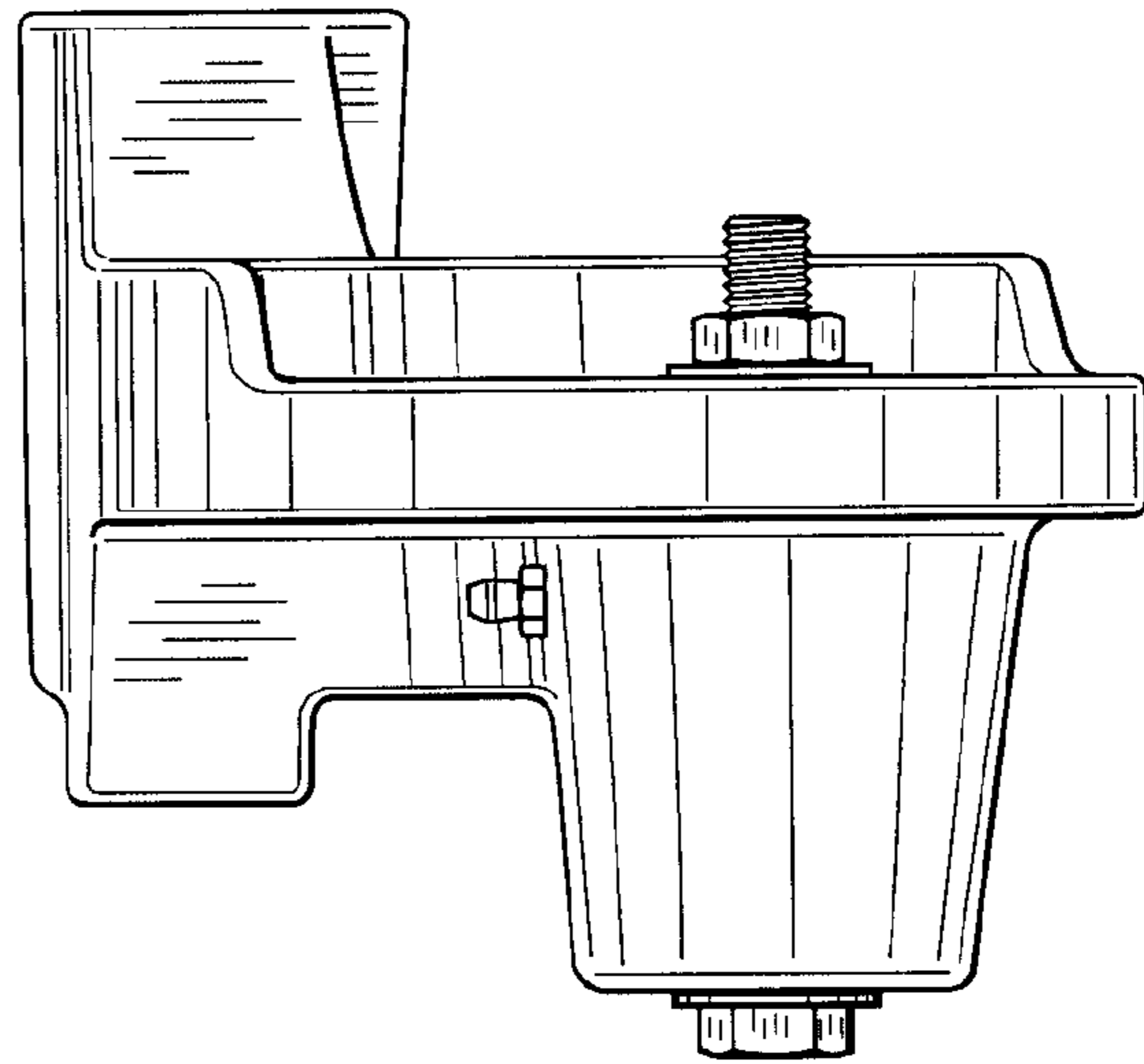


FIG. 4

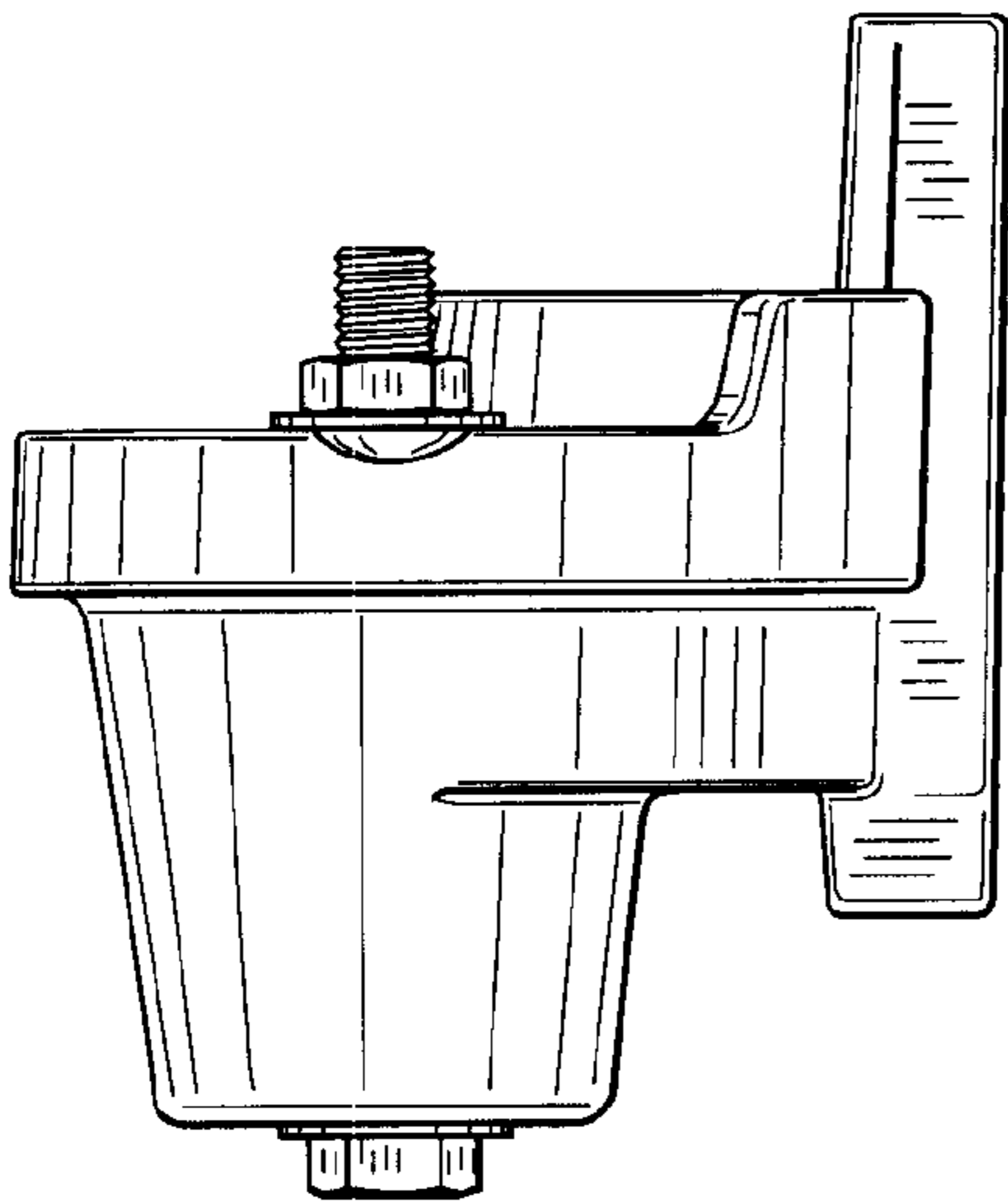


FIG. 5

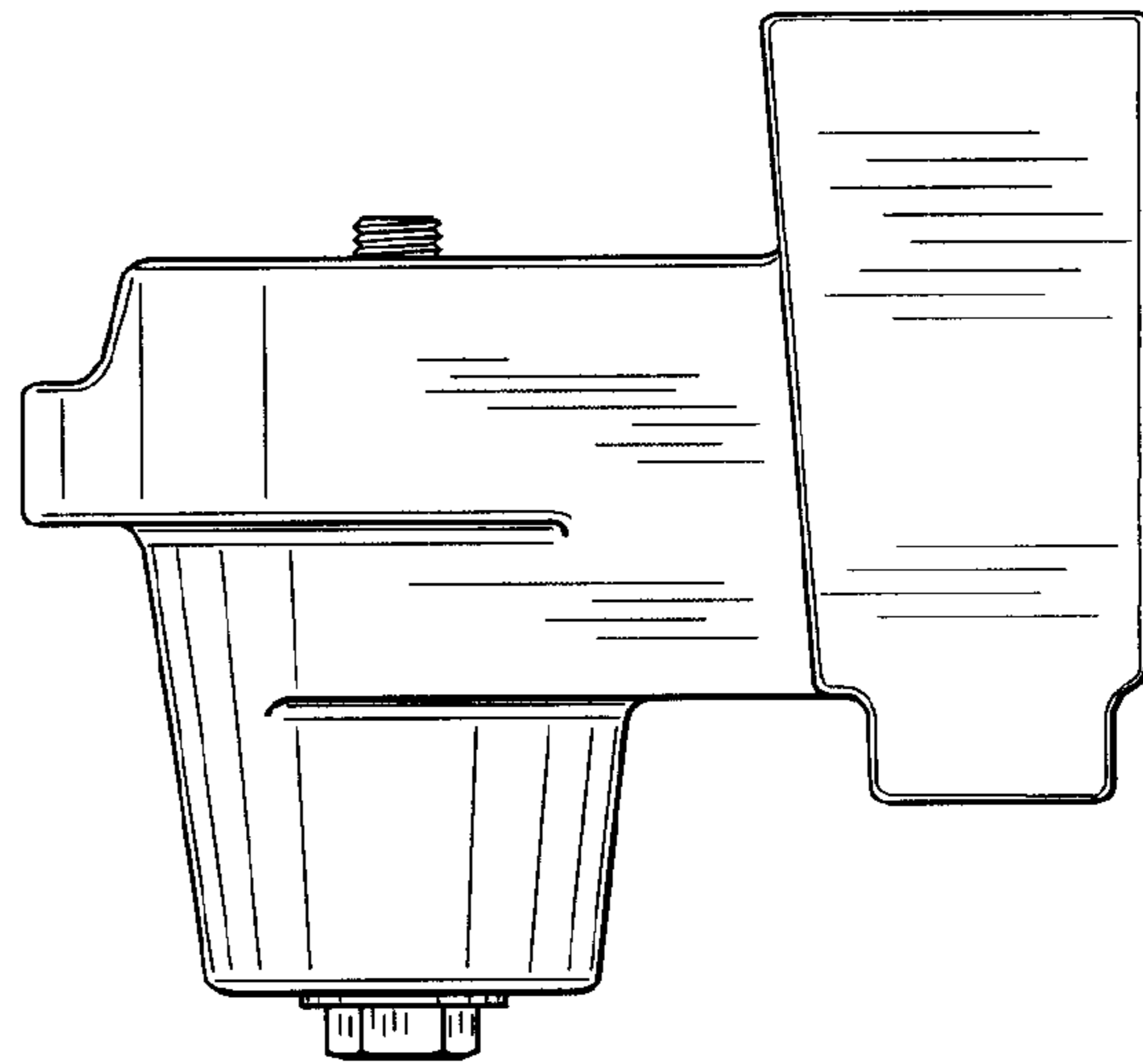


FIG. 6

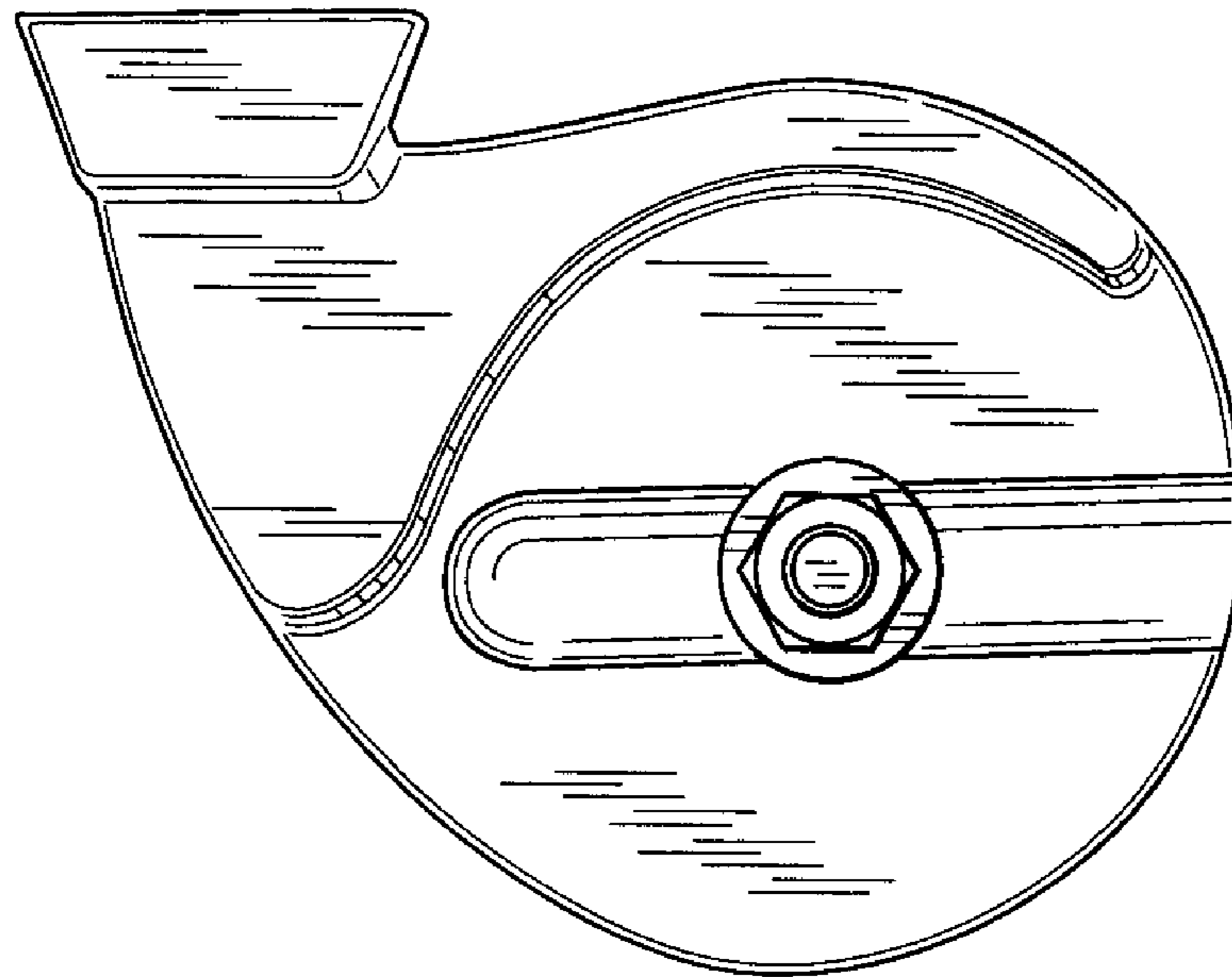


FIG. 7

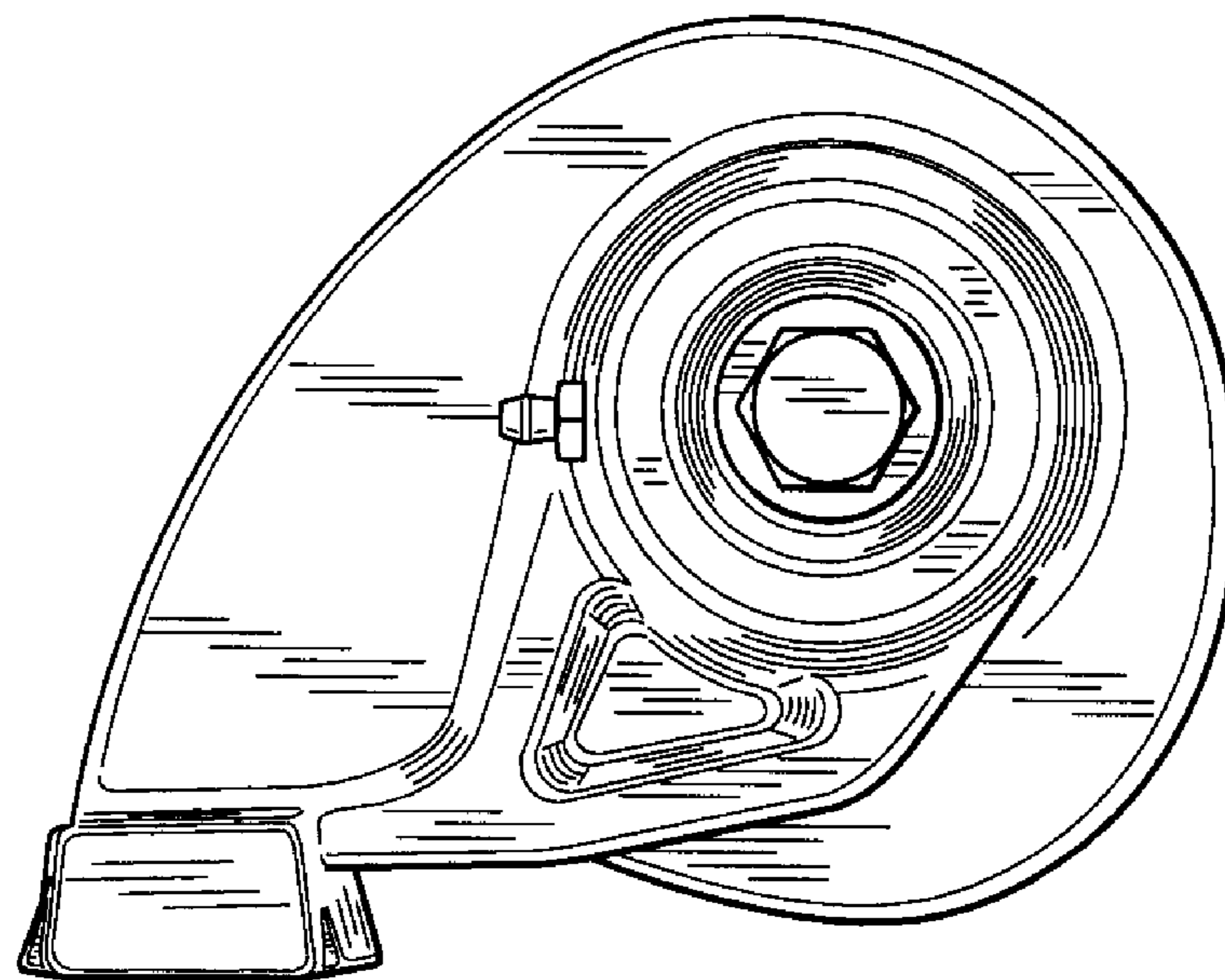


FIG. 8