



US00D534102S

(12) **United States Design Patent**
Arakawa

(10) **Patent No.:** **US D534,102 S**

(45) **Date of Patent:** **** Dec. 26, 2006**

(54) **BICYCLE DERAILLEUR**

(75) Inventor: **Masayuki Arakawa**, Osaka (JP)

(73) Assignee: **Shimano Inc.**, Osaka (JP)

(**) Term: **14 Years**

(21) Appl. No.: **29/236,832**

(22) Filed: **Aug. 24, 2005**

(30) **Foreign Application Priority Data**

Mar. 4, 2005 (JP) 2005-006314

(51) **LOC (8) Cl.** **12-11**

(52) **U.S. Cl.** **D12/124**

(58) **Field of Classification Search** D12/111,
D12/124; 474/80-82, 78

See application file for complete search history.

(56) **References Cited**

PUBLICATIONS

Shimano XTR, RD-M960-SGS, p. 74, Shimano Deore XT, RD-M760-SGS, p. 80, Shimano Deore, RD-M510-S, p. 86, Shimano Alivio, RD-MC20-S, p. 94, Shimano Dura-Ace 7700 Series Triple Version, RD-7700-GS, p. 118, Shimano 105 Silver Version, RD-5501-GS, p. 124, Shimano Tiagra, RD-4400-GS, p. 128, Shimano Sora, RD-3300-GS, p. 130,

Shimano 2004 Bicycle Components Trade Sales & Support Manual, Aug. 2003, Shimano Inc., Japan.

Primary Examiner—Freda Nunn

Assistant Examiner—Linda Brooks

(74) *Attorney, Agent, or Firm*—Global IP Counselors, LLP

(57) **CLAIM**

The ornamental design for a bicycle derailleur, as shown and described.

DESCRIPTION

FIG. 1 is a perspective view of the bicycle derailleur in accordance with my new design;

FIG. 2 is an outside elevational view of the bicycle derailleur in accordance with my new design of FIG. 1;

FIG. 3 is an inside elevational view of the bicycle derailleur in accordance with my new design of FIGS. 1 and 2;

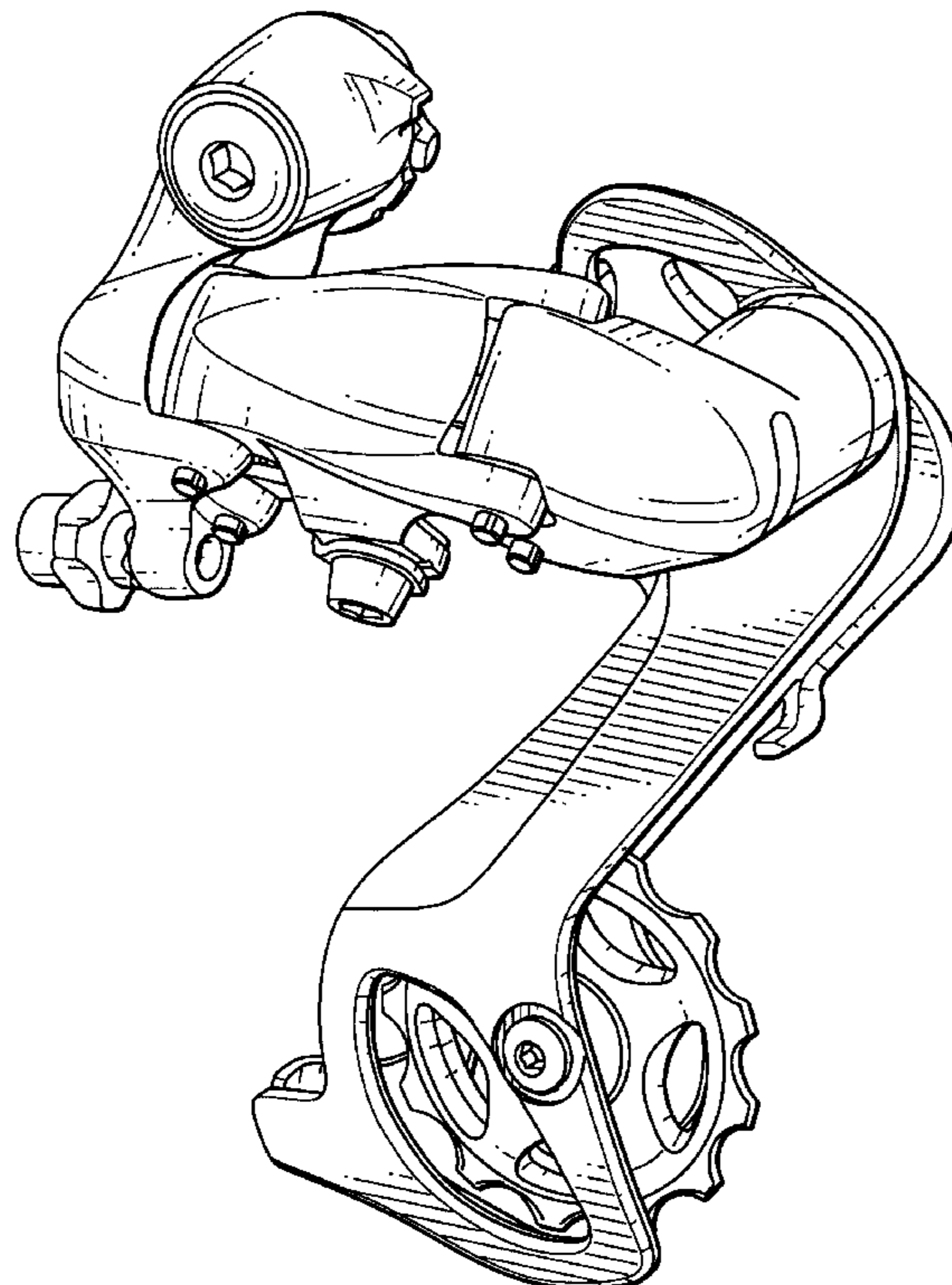
FIG. 4 is a front side elevational view of the bicycle derailleur in accordance with my new design of FIGS. 1-3;

FIG. 5 is a rear side elevational view of the bicycle derailleur in accordance with my new design of FIGS. 1-4;

FIG. 6 is a top plan view of the bicycle derailleur in accordance with my new design of FIGS. 1-5; and,

FIG. 7 is a bottom plan view of the bicycle derailleur in accordance with my new design of FIGS. 1-6.

1 Claim, 4 Drawing Sheets



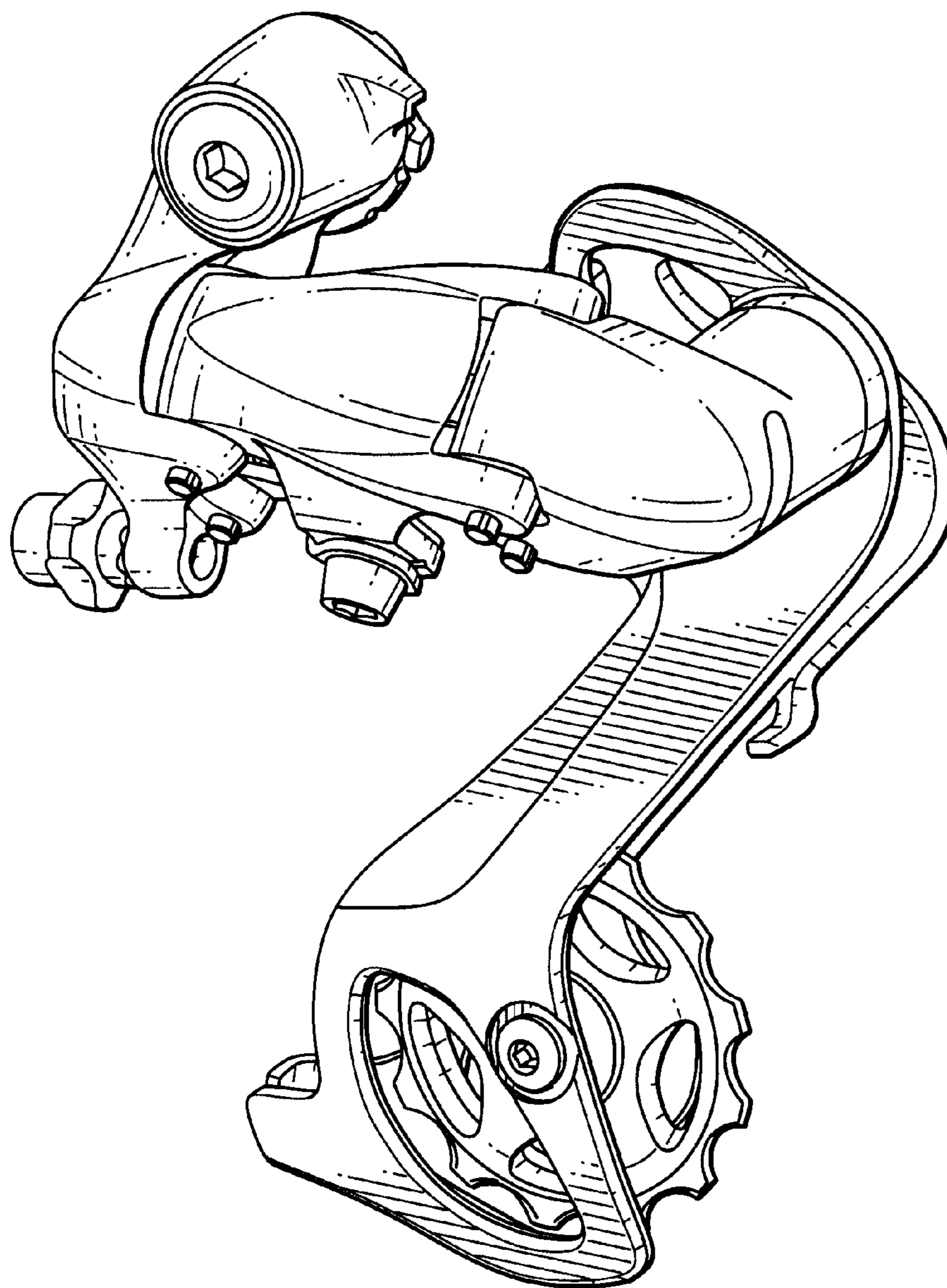


FIG. 1

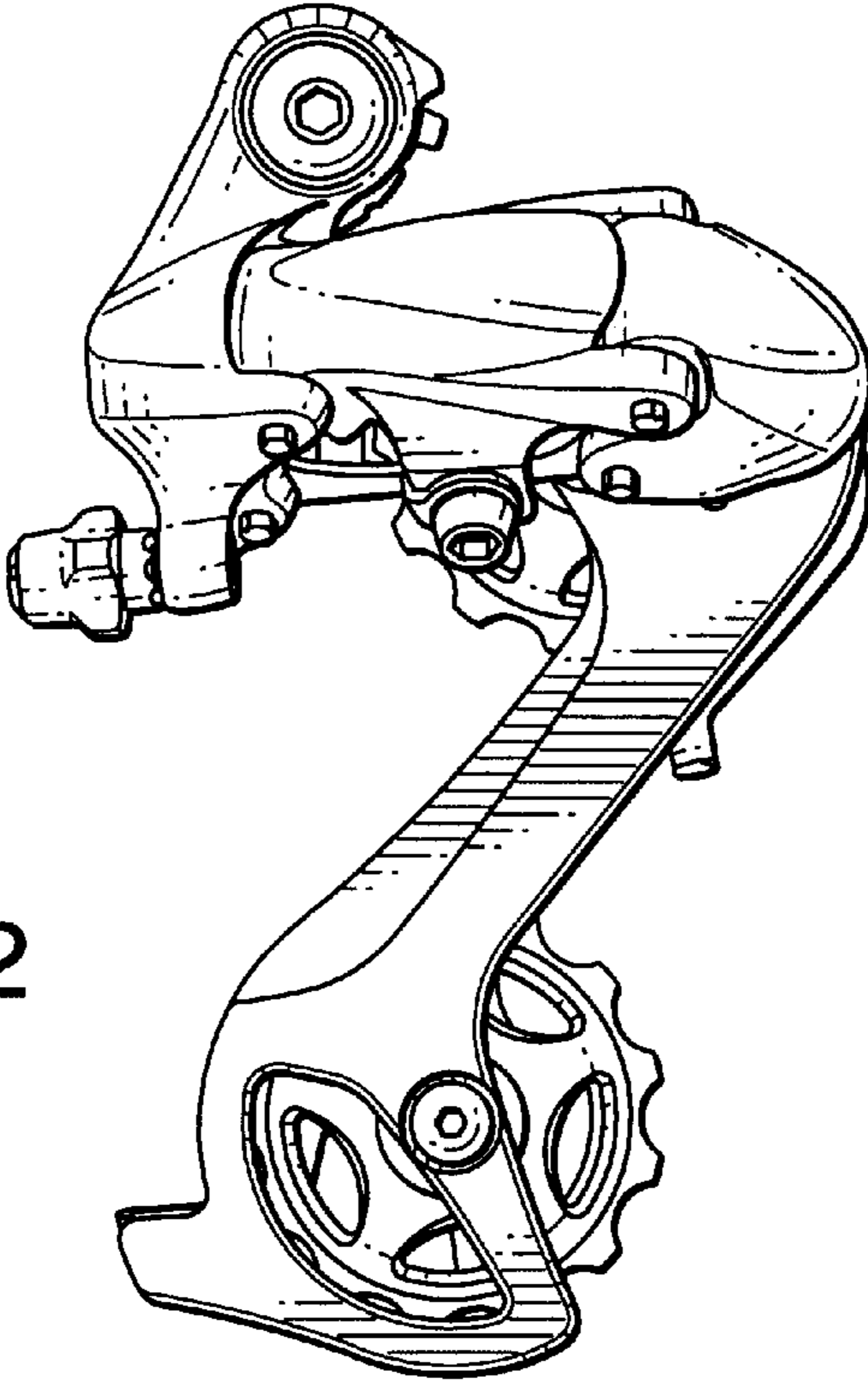


FIG. 2

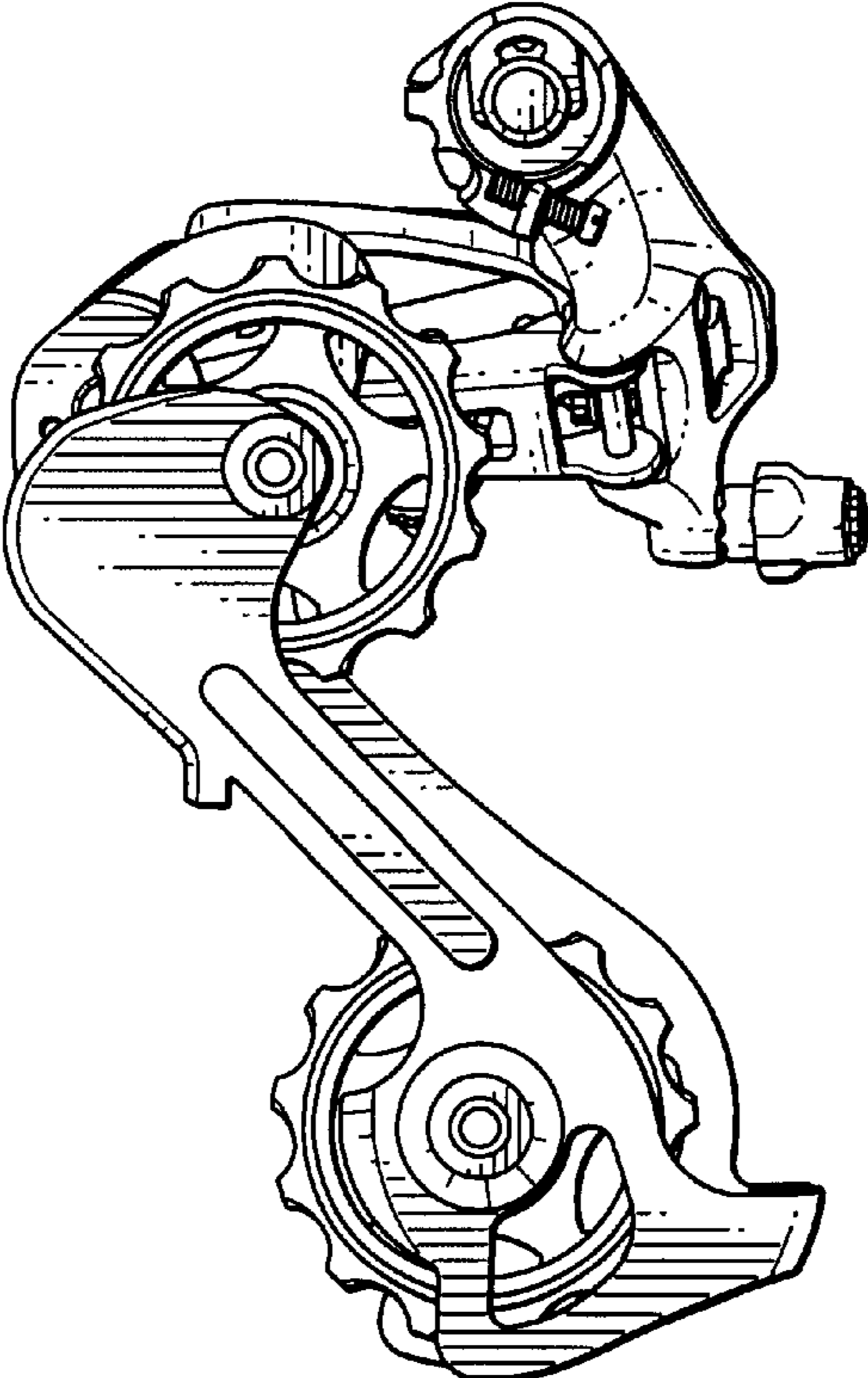


FIG. 3

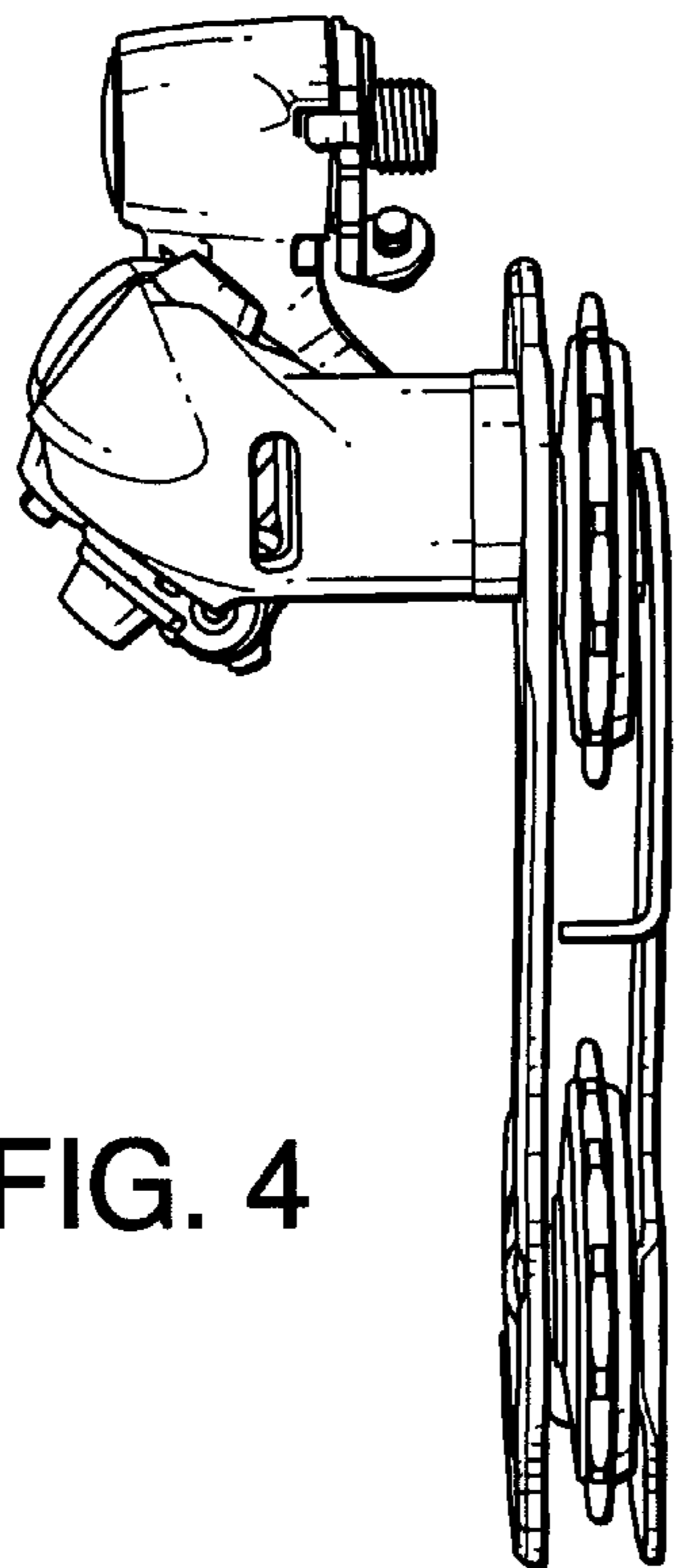


FIG. 4

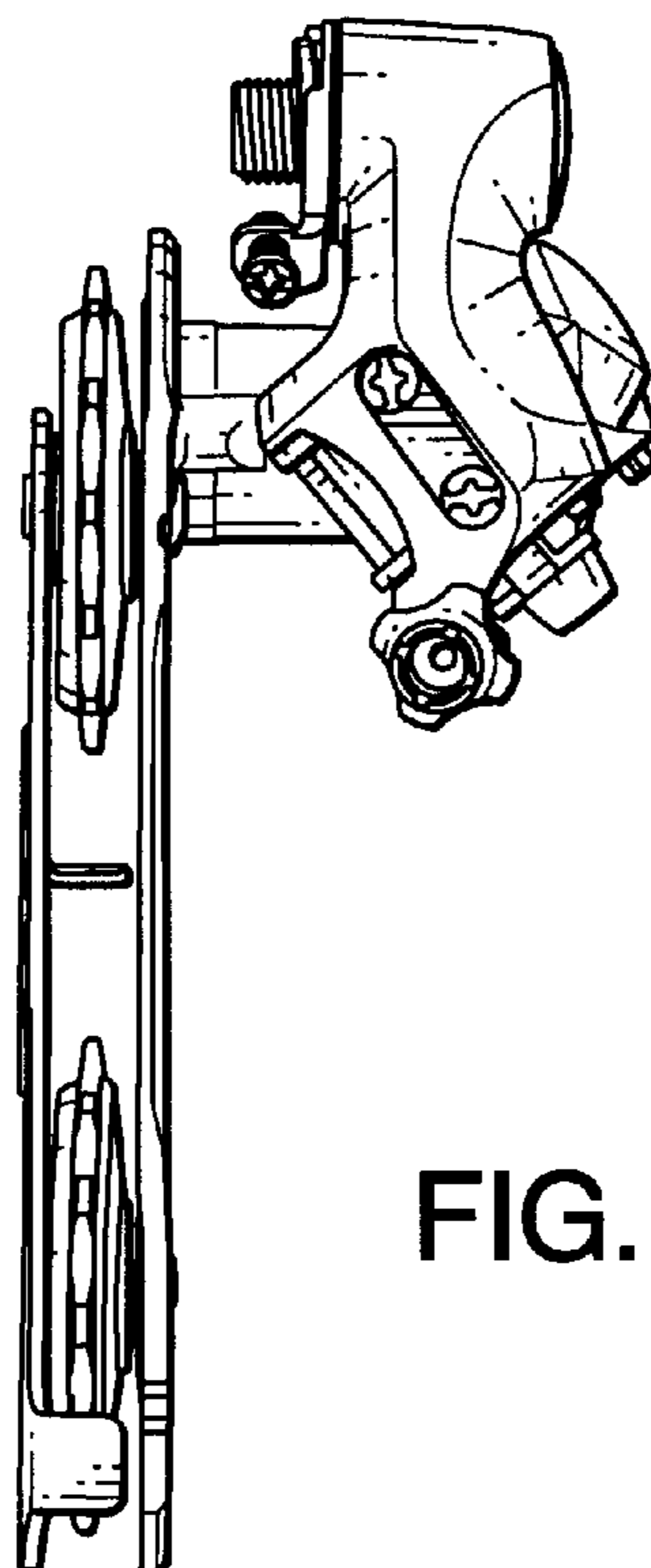


FIG. 5

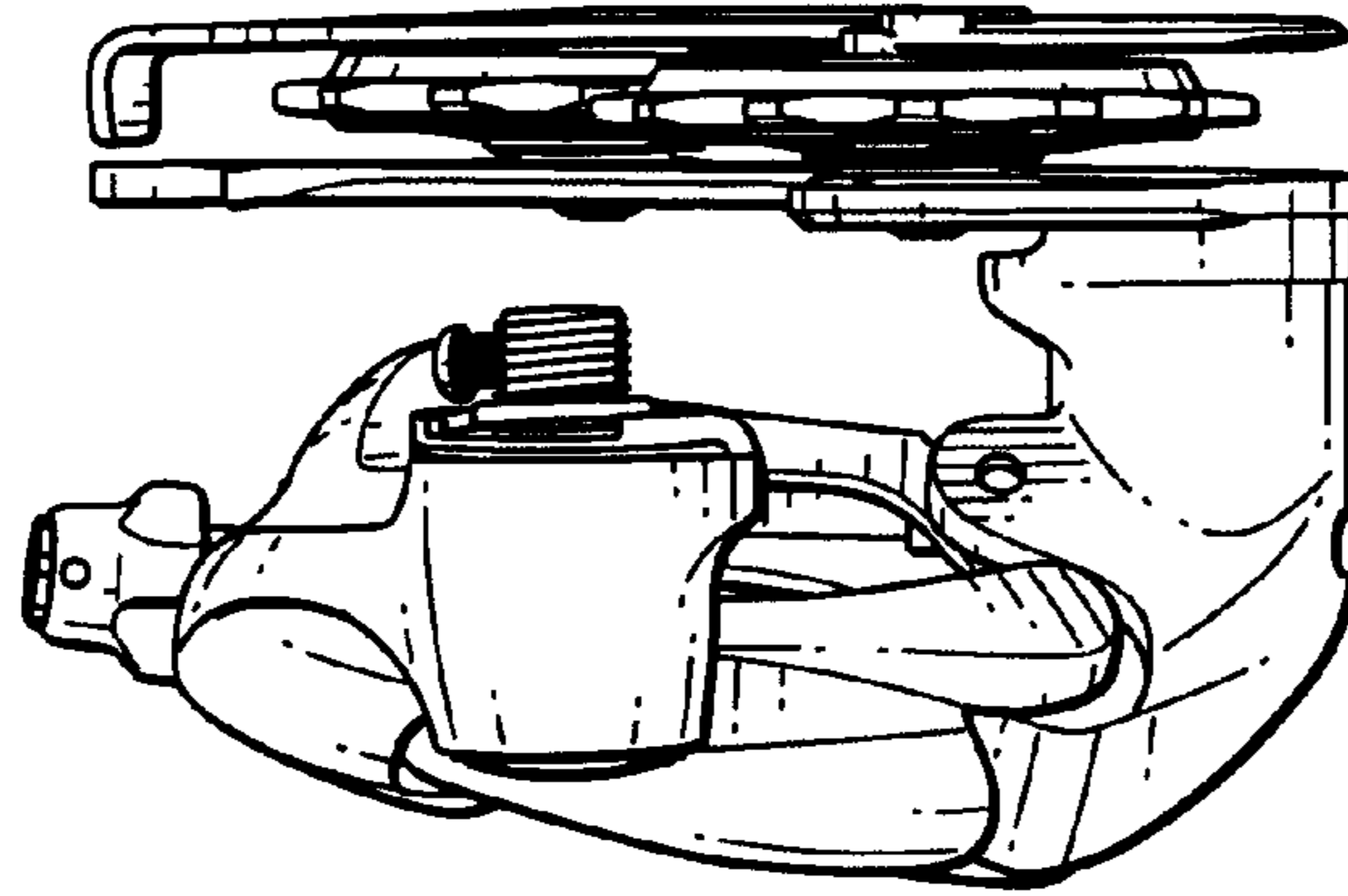


FIG. 6

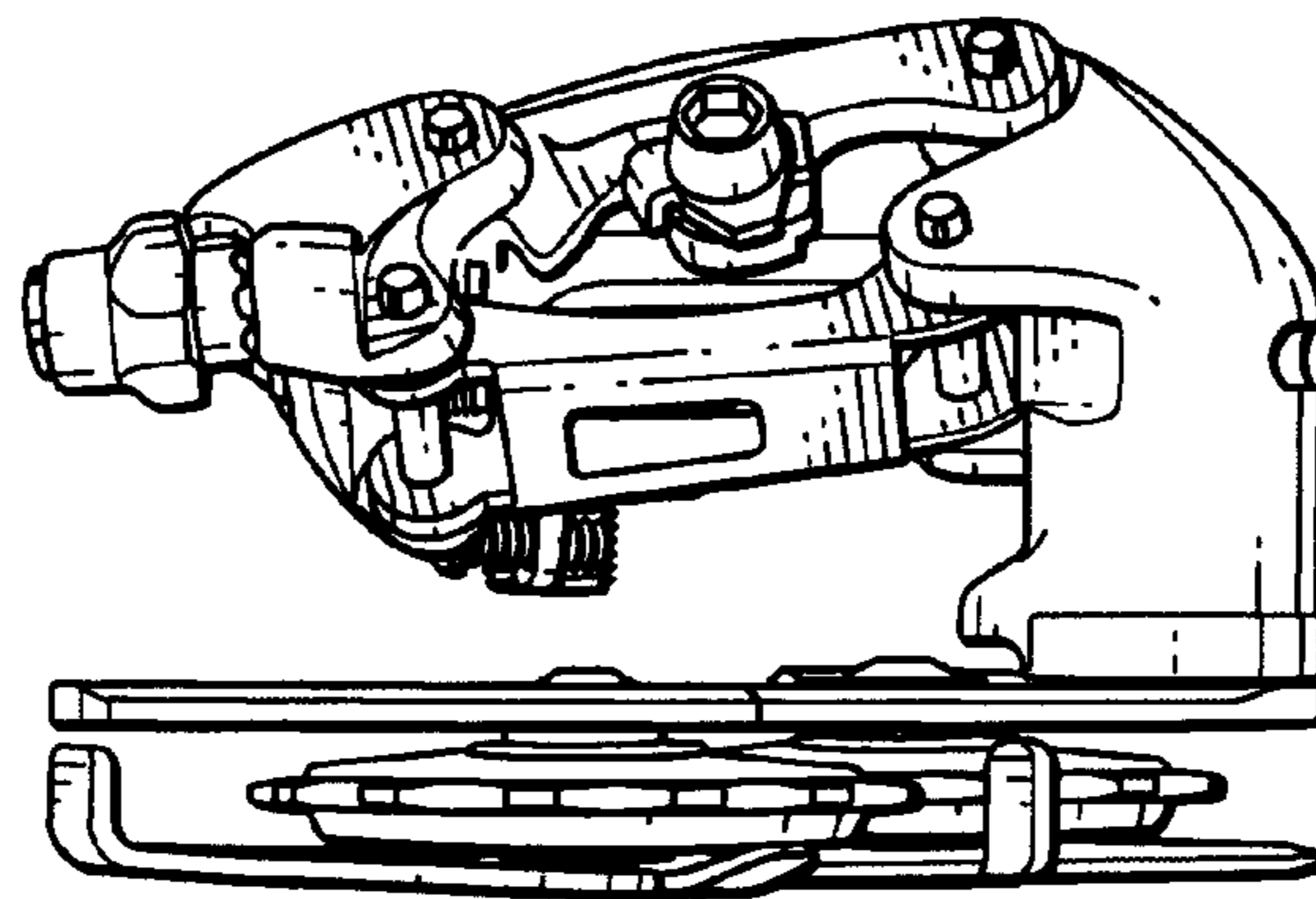


FIG. 7