



US00D534101S

(12) **United States Design Patent**  
**Ping**

(10) **Patent No.:** **US D534,101 S**

(45) **Date of Patent:** **\*\* Dec. 26, 2006**

(54) **CHILD'S MOTORCYCLE**

(76) **Inventor:** **Chung Li Ping**, No. 33, Lane 458, She Chung St., Shih Li District, Taipei (TW)

(\*\*) **Term:** **14 Years**

(21) **Appl. No.:** **29/229,713**

(22) **Filed:** **May 11, 2005**

(51) **LOC (8) Cl.** ..... **12-11**

(52) **U.S. Cl.** ..... **D12/111**

(58) **Field of Classification Search** ..... D12/110, D12/111; D21/432, 538; 446/440; 280/827, 280/828, 202, 274, 288.1-288.4, 281.1, 293, 280/287; 180/65.1, 219, 220, 16  
See application file for complete search history.

(56) **References Cited**

**U.S. PATENT DOCUMENTS**

D277,771 S \* 2/1985 Takeuchi ..... D21/432

4,739,851 A \* 4/1988 Perego ..... 180/65.1  
6,755,265 B1 \* 6/2004 Huntsberger et al. .... 180/65.1

\* cited by examiner

*Primary Examiner*—Alan P. Douglas

*Assistant Examiner*—Linda Brooks

(57) **CLAIM**

The ornamental design for child's motorcycle, as shown and described.

**DESCRIPTION**

FIG. 1 is a perspective view of child's motorcycle showing my design.

FIG. 2 is a front elevational view thereof;

FIG. 3 is a rear elevational view thereof;

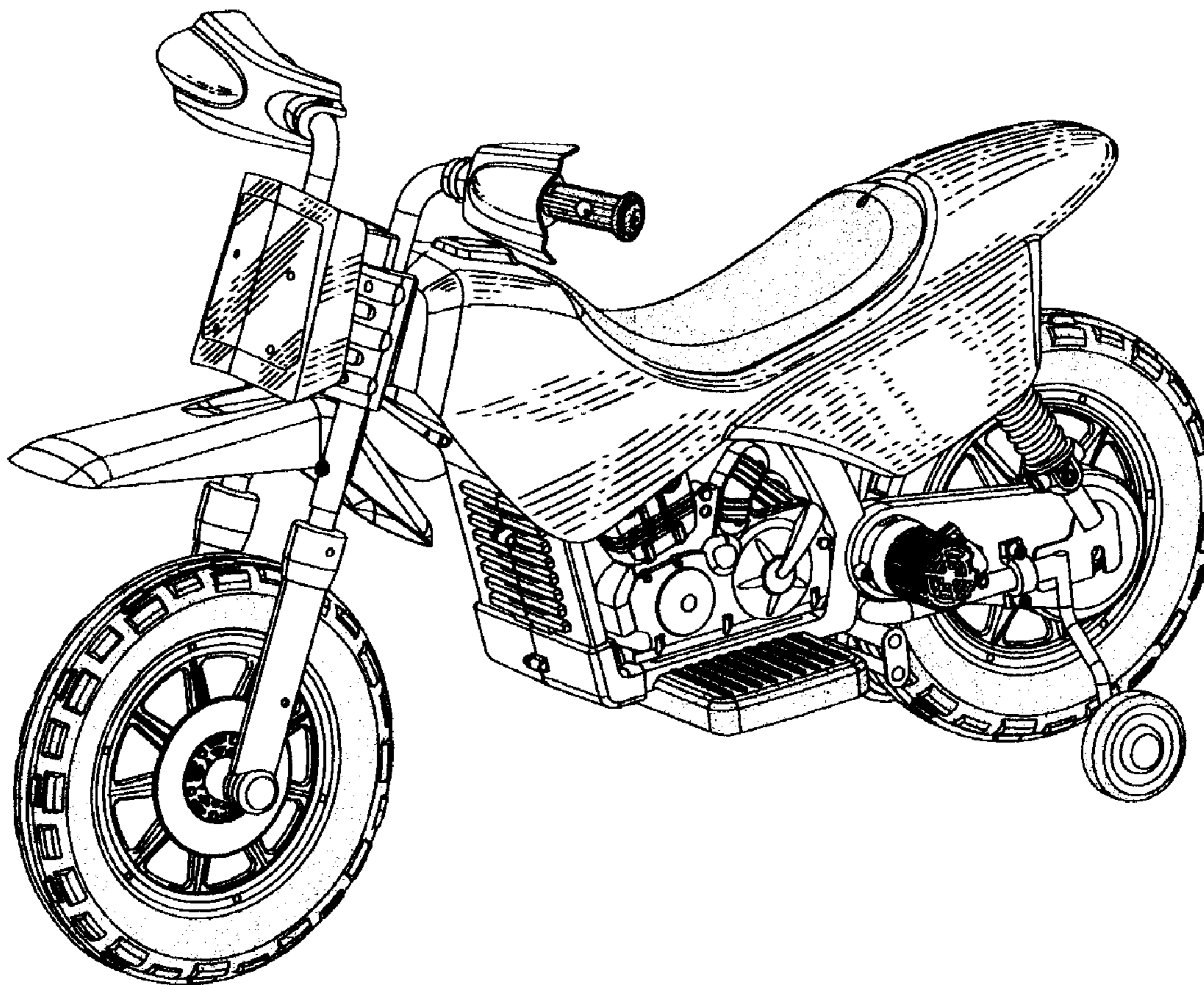
FIG. 4 is a left elevational view thereof;

FIG. 5 is a right elevational view thereof;

FIG. 6 is a top elevational view thereof; and,

FIG. 7 is a bottom elevational view thereof.

**1 Claim, 4 Drawing Sheets**



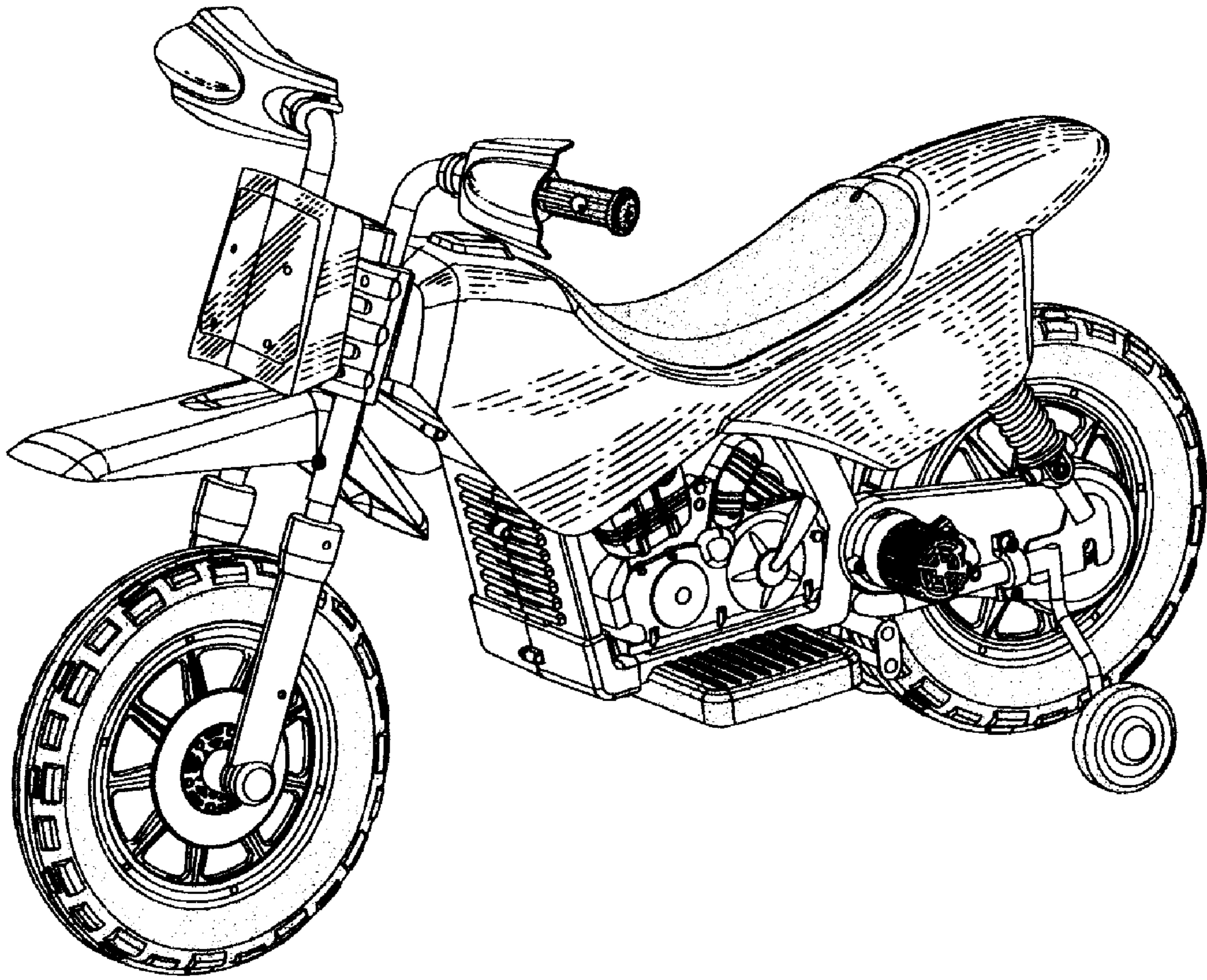


FIG. 1

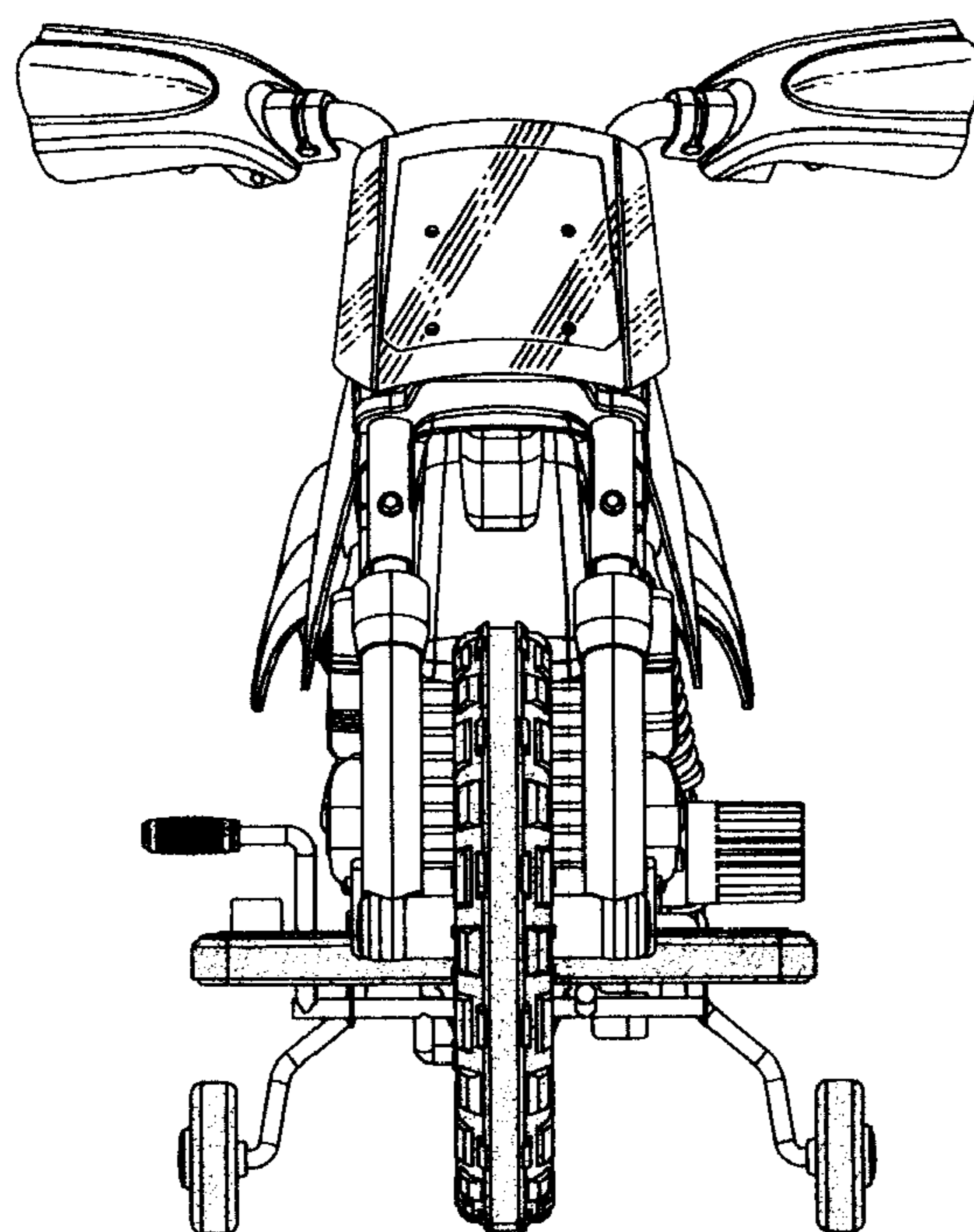


FIG. 2

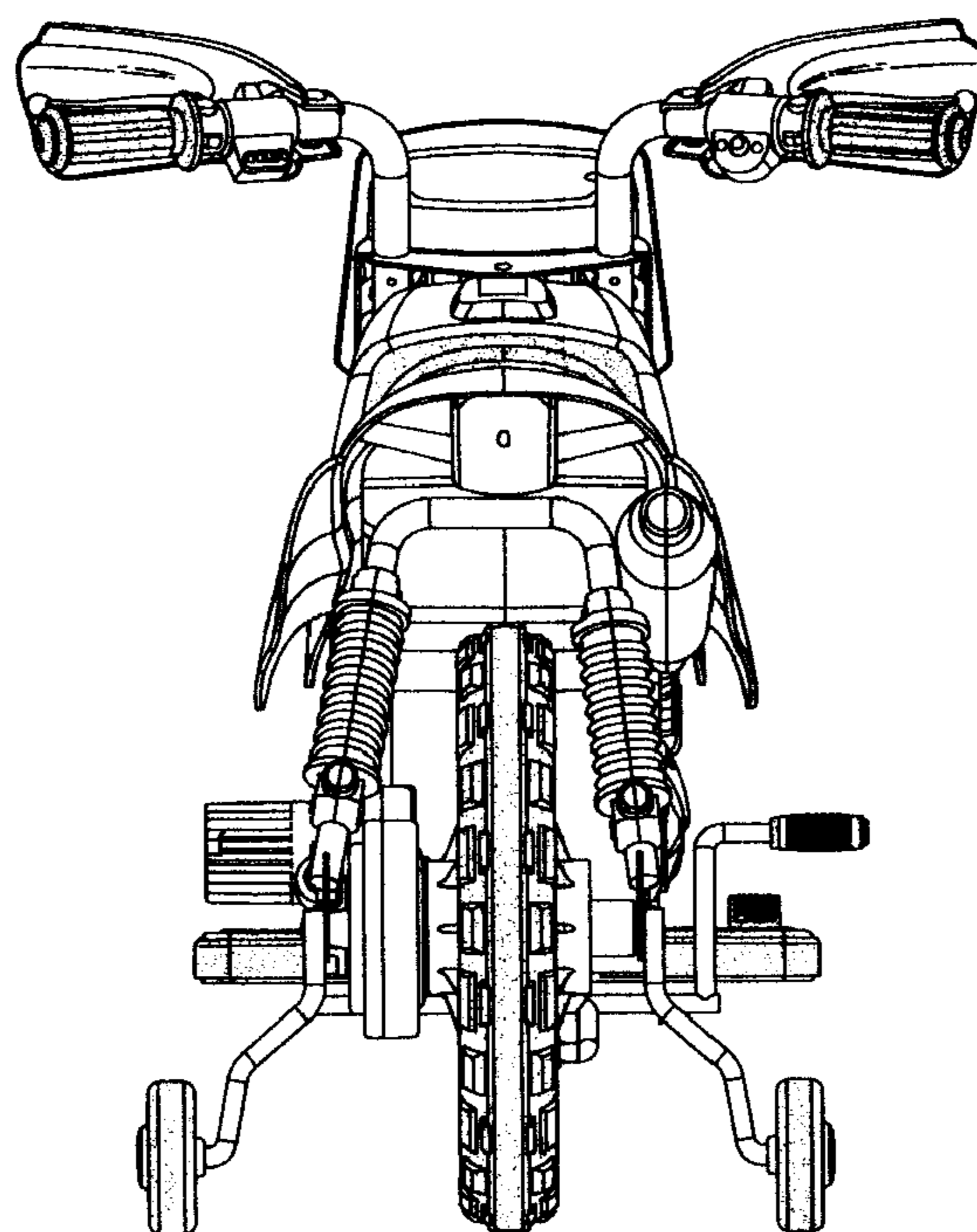


FIG. 3

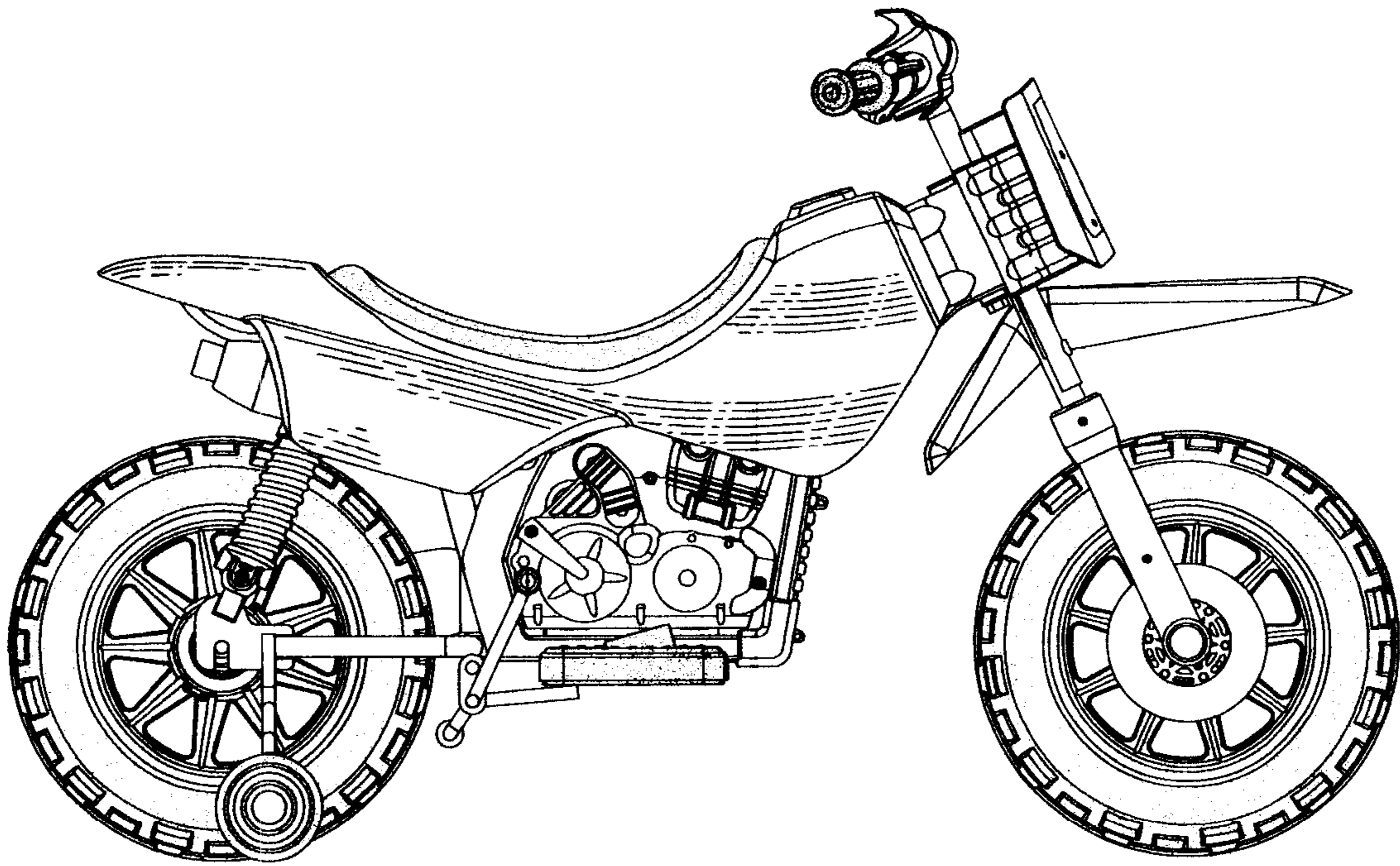


FIG. 4

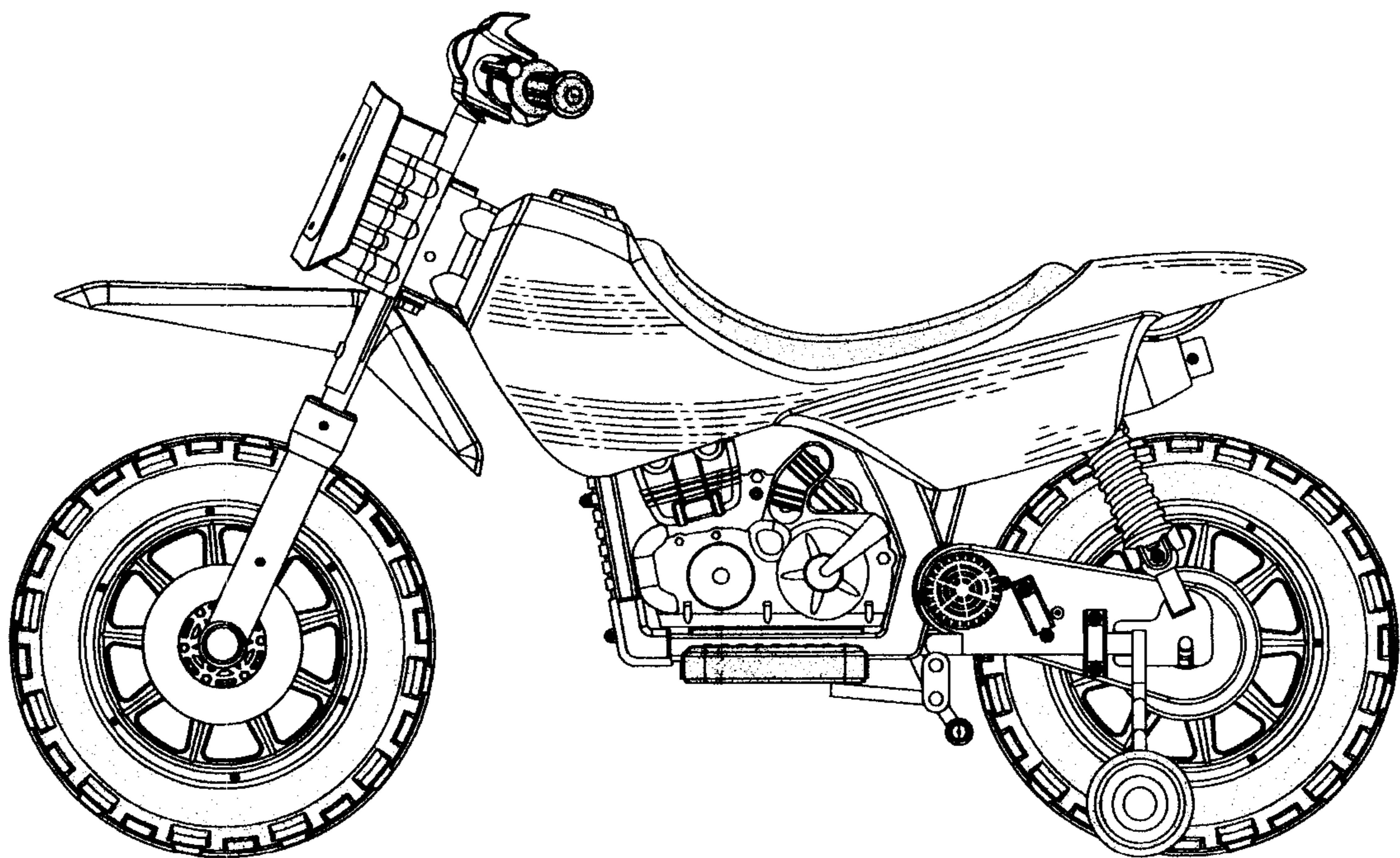


FIG. 5

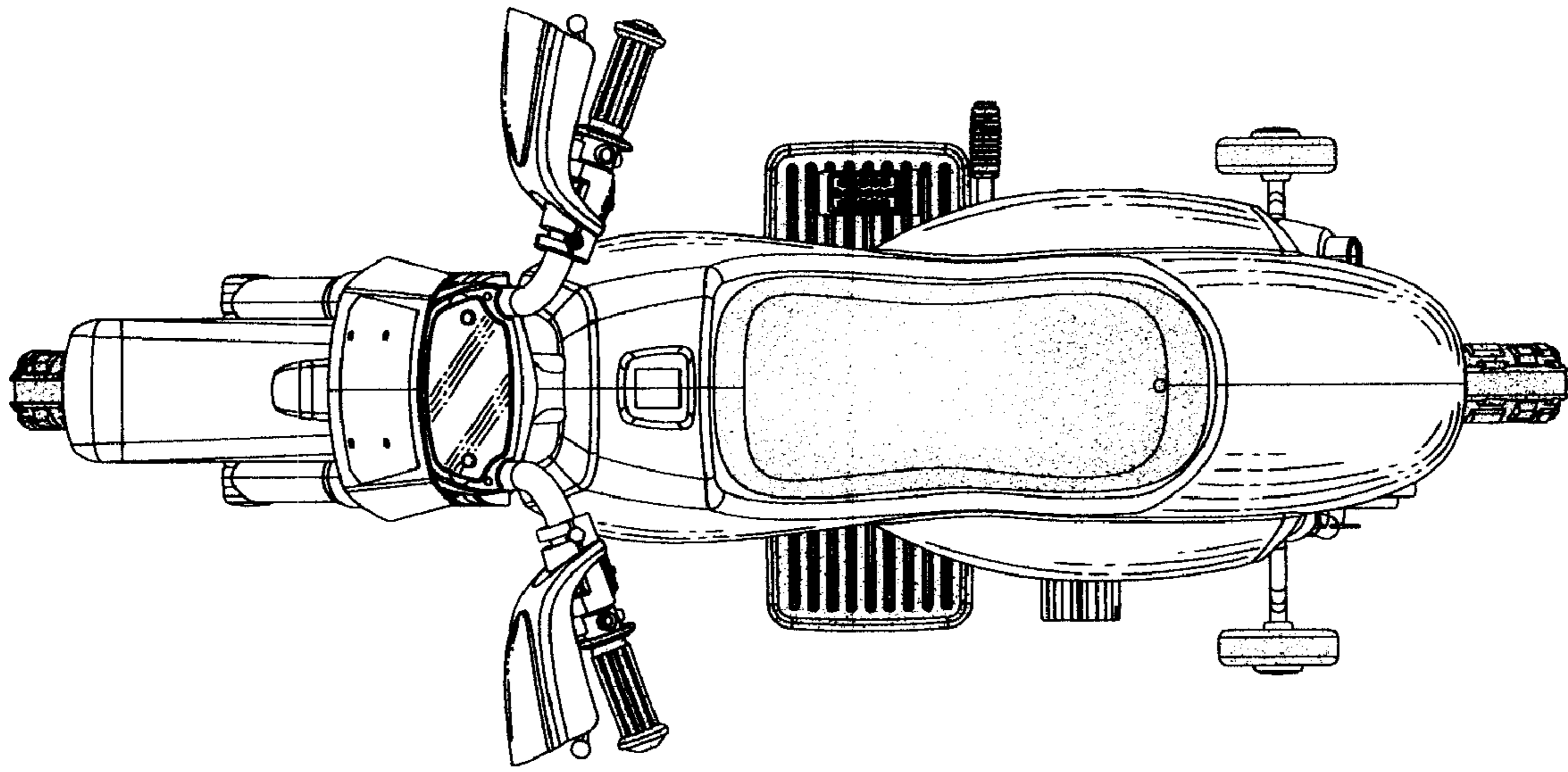


FIG. 6

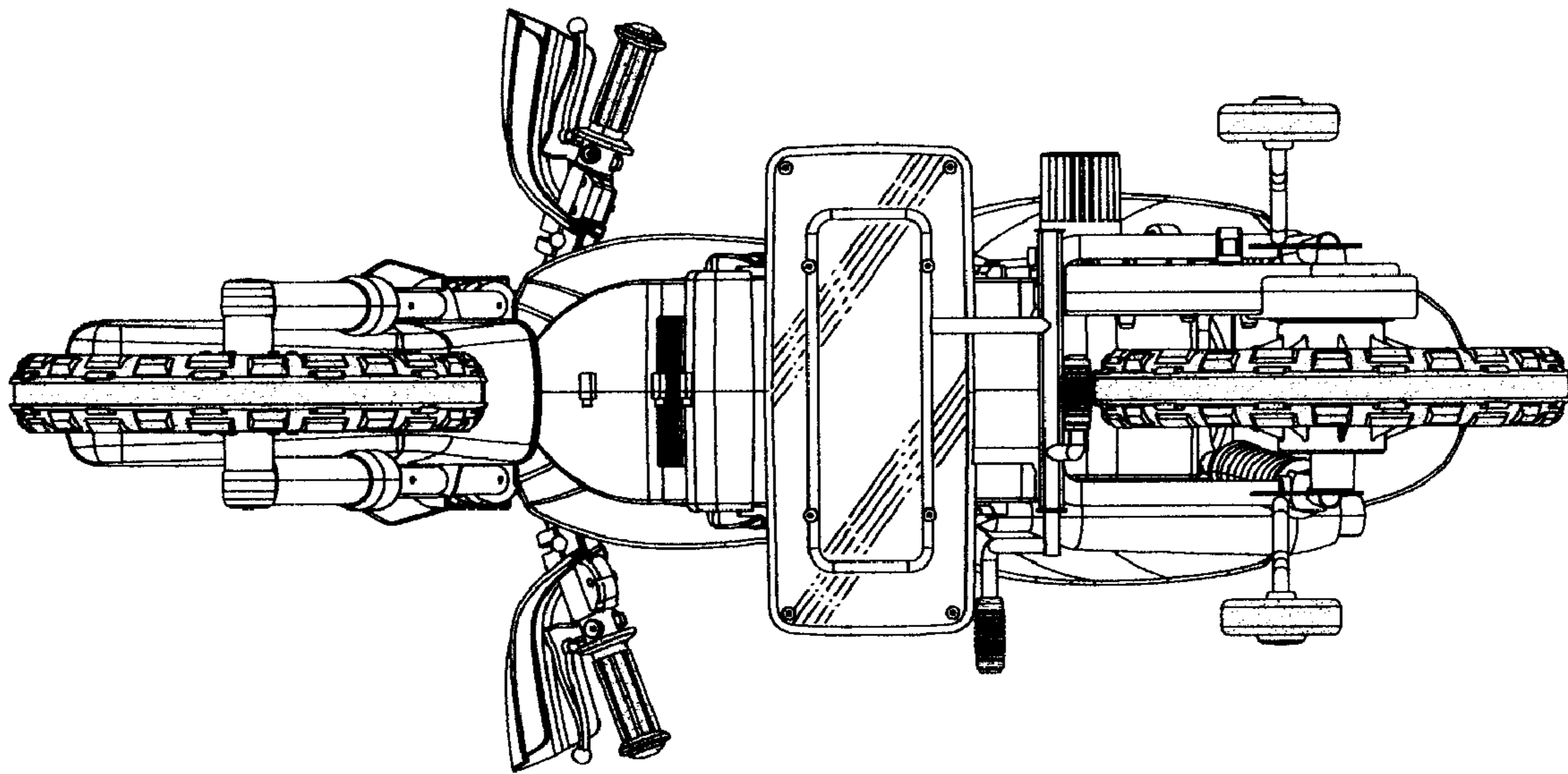


FIG. 7