



US00D534099S

(12) **United States Design Patent**  
**Prusmack**

(10) **Patent No.:** **US D534,099 S**

(45) **Date of Patent:** **\*\* Dec. 26, 2006**

(54) **TACTICAL SUPPORT TRAILER**

D392,223 S \* 3/1998 Alpiser et al. .... D12/101  
D408,333 S \* 4/1999 Prusmack ..... D12/101

(75) Inventor: **A. Jon Prusmack**, Valley Cottage, NY  
(US)

\* cited by examiner

(73) Assignee: **DHS Systems LLC**, Orangeburg, NY  
(US)

*Primary Examiner*—Melody N. Brown

(74) *Attorney, Agent, or Firm*—Thomas A. Beck

(\*\*) Term: **14 Years**

(57) **CLAIM**

The ornamental design for a tactical support trailer, as shown and described.

(21) Appl. No.: **29/206,755**

(22) Filed: **Jun. 4, 2004**

**DESCRIPTION**

(51) **LOC (8) Cl.** ..... **12-10**

FIG. 1 is a right side view of the tactical support trailer showing my new design.

(52) **U.S. Cl.** ..... **D12/101**

FIG. 2 is a left side view of the tactical support trailer showing my new design.

(58) **Field of Classification Search** ..... D12/101,  
D12/102; 280/475, 656, 763.1, 482, 400;  
296/181, 190; D34/12, 17-19; D15/27

FIG. 3 is a front view of the tactical support trailer showing my new design.

See application file for complete search history.

FIG. 4 is a rear view of the tactical support trailer showing my new design.

(56) **References Cited**

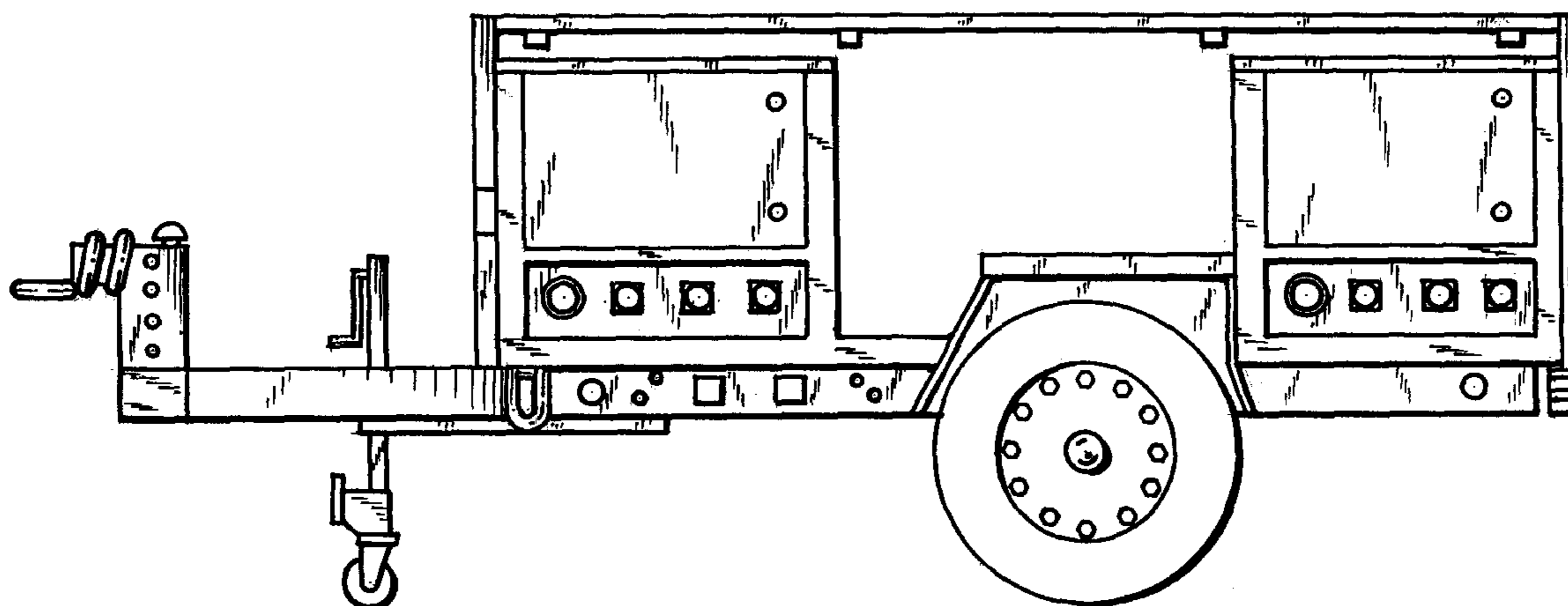
FIG. 5 is a top view of the tactical support trailer showing my new design; and,

**U.S. PATENT DOCUMENTS**

FIG. 6 is a bottom view of the tactical support trailer showing my new design.

5,314,200 A \* 5/1994 Phillips ..... 280/400  
5,480,180 A \* 1/1996 Fuller et al. .... 280/656  
D381,666 S \* 7/1997 Del Zotto ..... D15/27

**1 Claim, 6 Drawing Sheets**



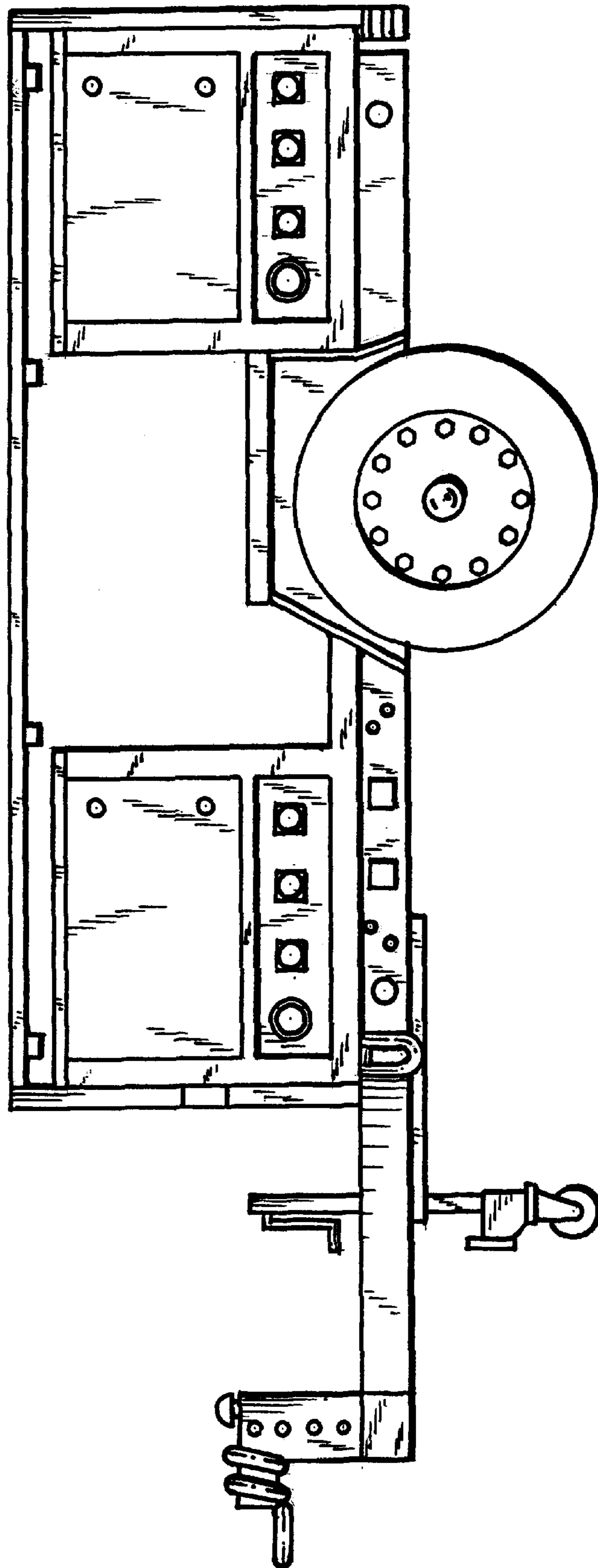


FIG. 1

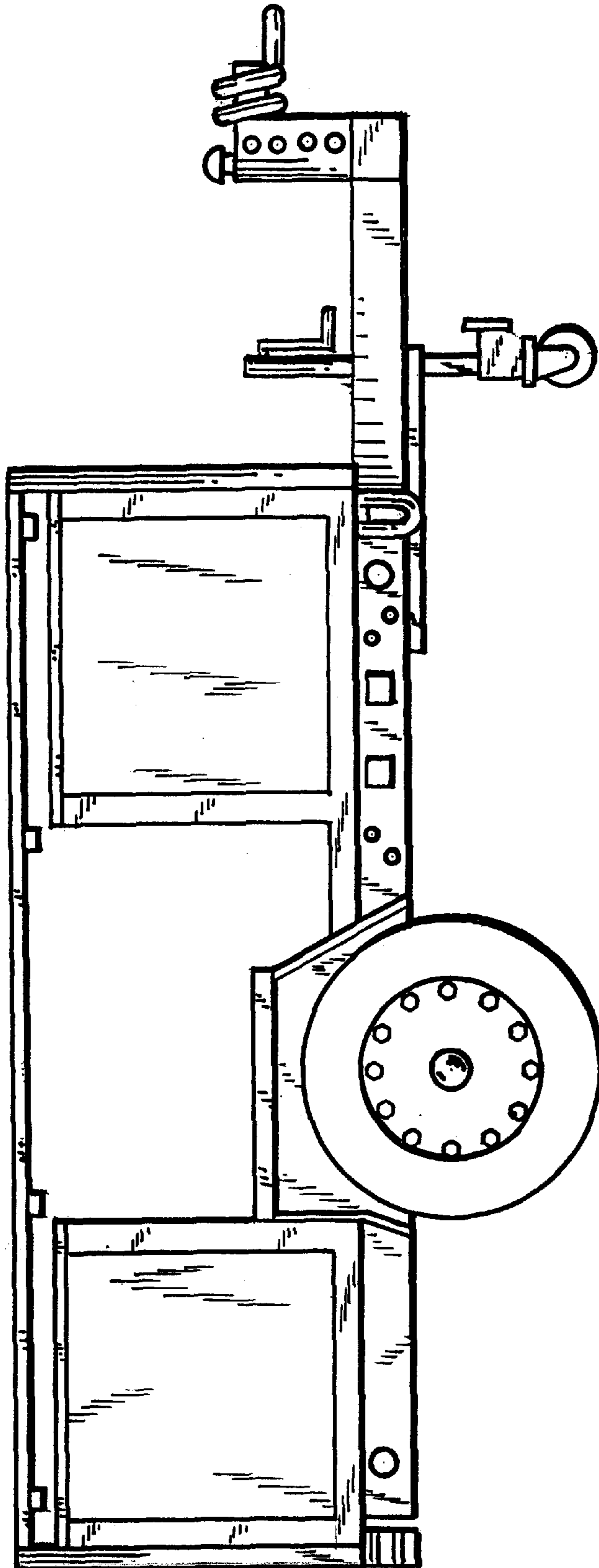


FIG.2

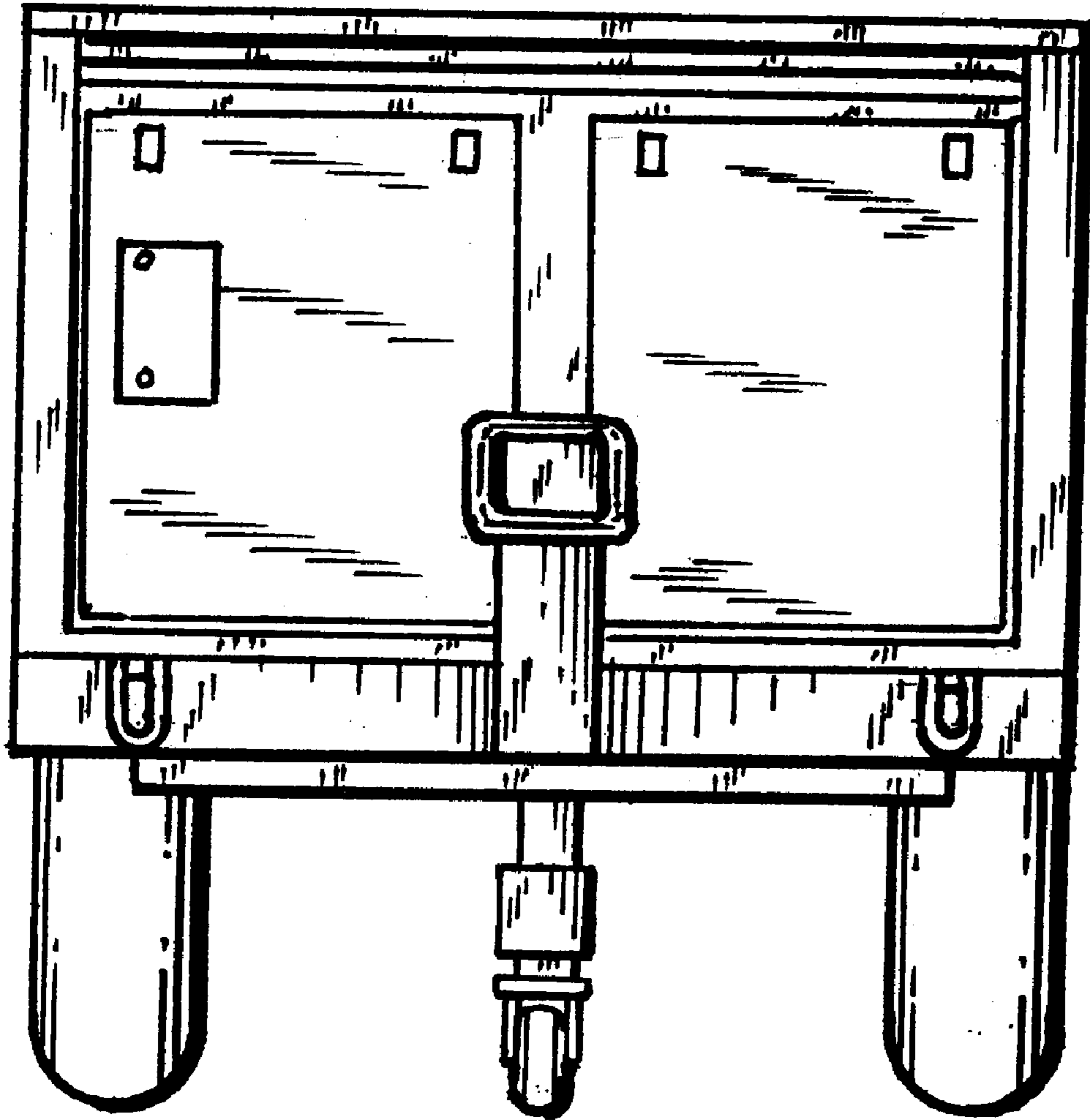


FIG. 3

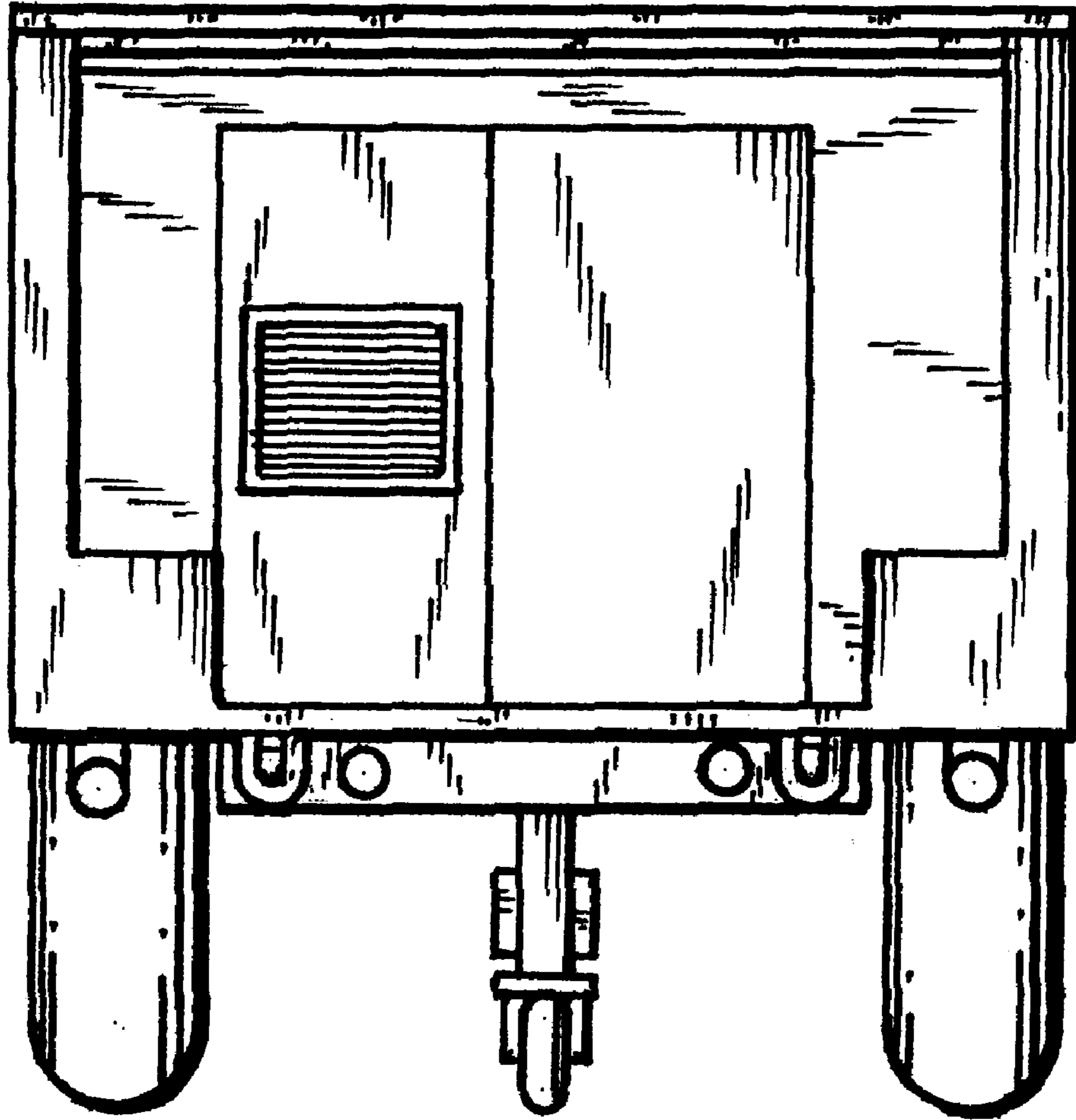


FIG.4

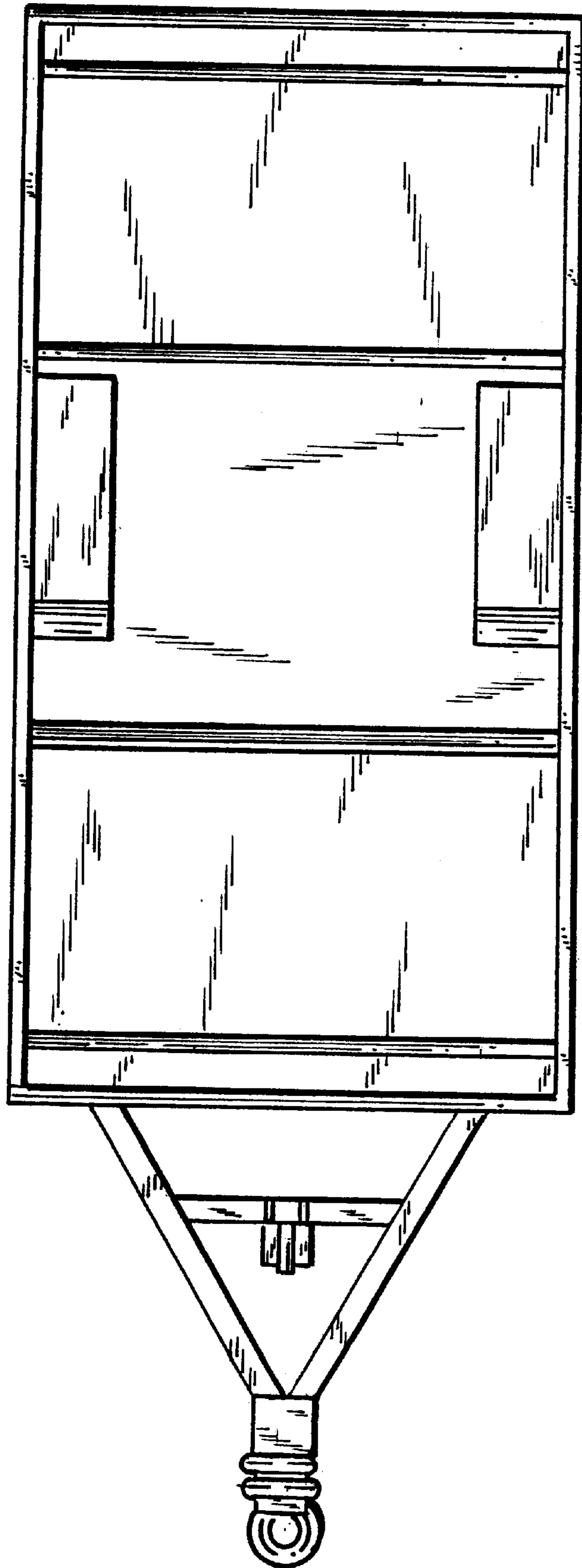


FIG.5

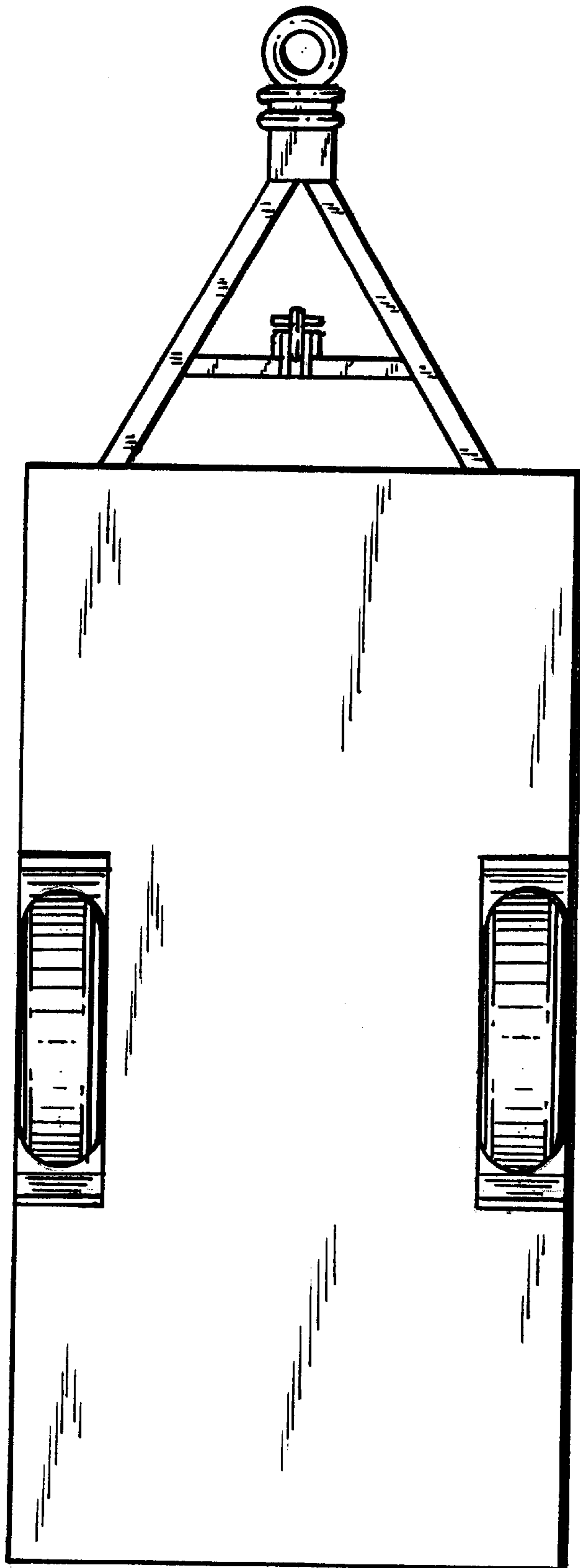


FIG.6