



US00D534091S

(12) **United States Design Patent**
Ebihara

(10) **Patent No.:** **US D534,091 S**

(45) **Date of Patent:** **** Dec. 26, 2006**

(54) **TAPE MEASURE**

(75) Inventor: **Hiroshi Ebihara**, Tokyo (JP)

(73) Assignee: **TJM Design Corporation**, Tokyo (JP)

(**) Term: **14 Years**

(21) Appl. No.: **29/227,421**

(22) Filed: **Apr. 12, 2005**

(30) **Foreign Application Priority Data**

Feb. 10, 2005 (JP) 2005-003544

(51) **LOC (8) Cl.** **10-04**

(52) **U.S. Cl.** **D10/72**

(58) **Field of Classification Search** D10/72;
33/775-771; 242/292, 381.1, 381.2, 381.3,
242/381.4, 381.5, 381.6

See application file for complete search history.

(56) **References Cited**

U.S. PATENT DOCUMENTS

2,574,272 A * 11/1951 McCully 33/770

5,379,524 A * 1/1995 Dawson 33/768

D397,949 S * 9/1998 Azzopardi D10/72

D408,305 S * 4/1999 Li D10/72

6,212,787 B1 * 4/2001 Dixon 33/759

* cited by examiner

Primary Examiner—Antoine D. Davis

Assistant Examiner—Patricia Palasik

(74) *Attorney, Agent, or Firm*—Steptoe & Johnson LLP

(57) **CLAIM**

The ornamental design for a tape measure, as shown.

DESCRIPTION

FIG. 1 is a perspective view of a tape measure showing my new design;

FIG. 2 is a front view thereof;

FIG. 3 is a rear view thereof;

FIG. 4 is a left side view thereof;

FIG. 5 is a right side view thereof;

FIG. 6 is a top plan view thereof;

FIG. 7 is a bottom view thereof; and,

FIG. 8 is a perspective view showing a use condition thereof.

Trademarks appearing in FIGS. 1, 2 and 8 are not part of the claimed design and are hereby disclaimed.

1 Claim, 8 Drawing Sheets

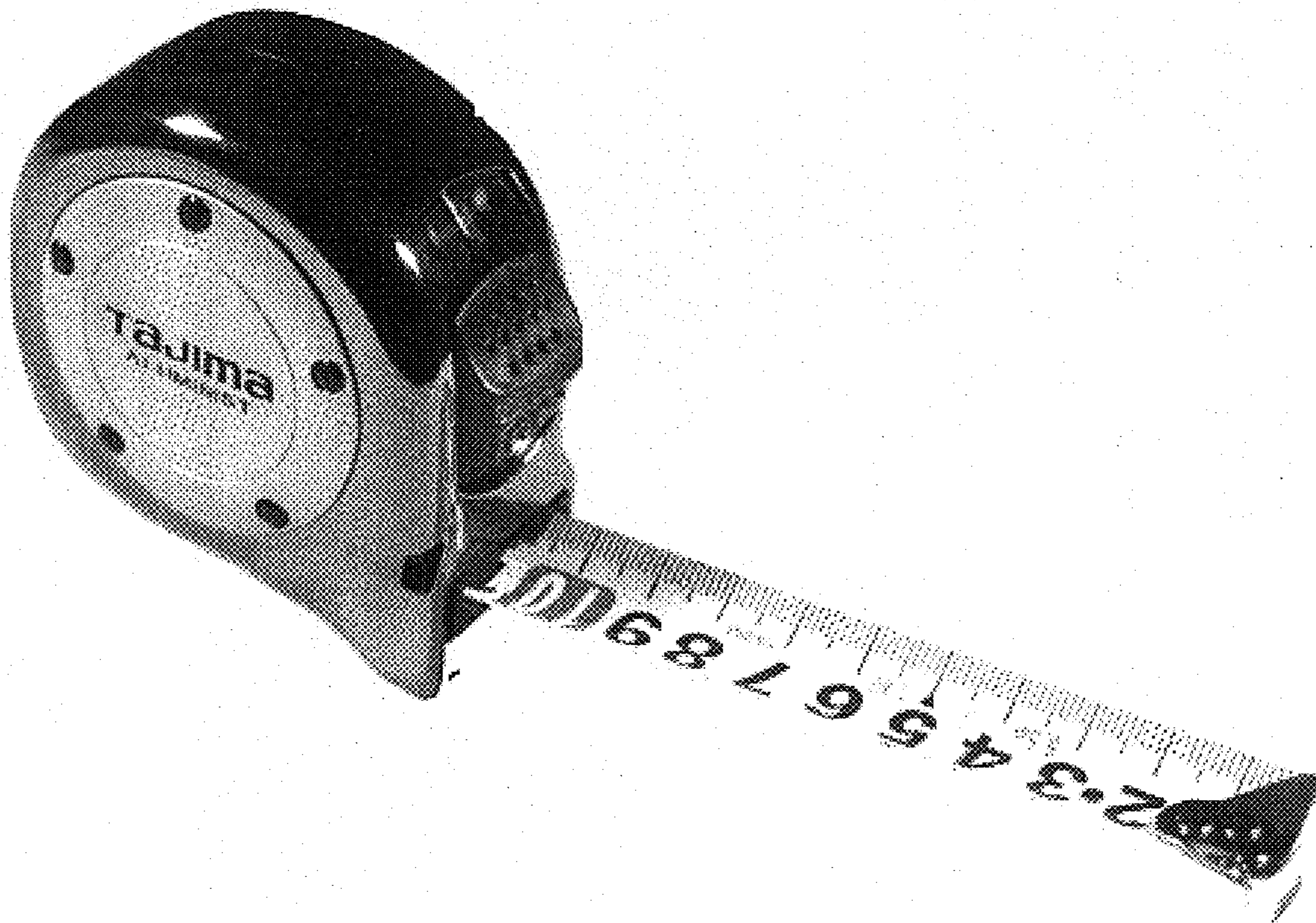


FIG. 1



FIG. 2

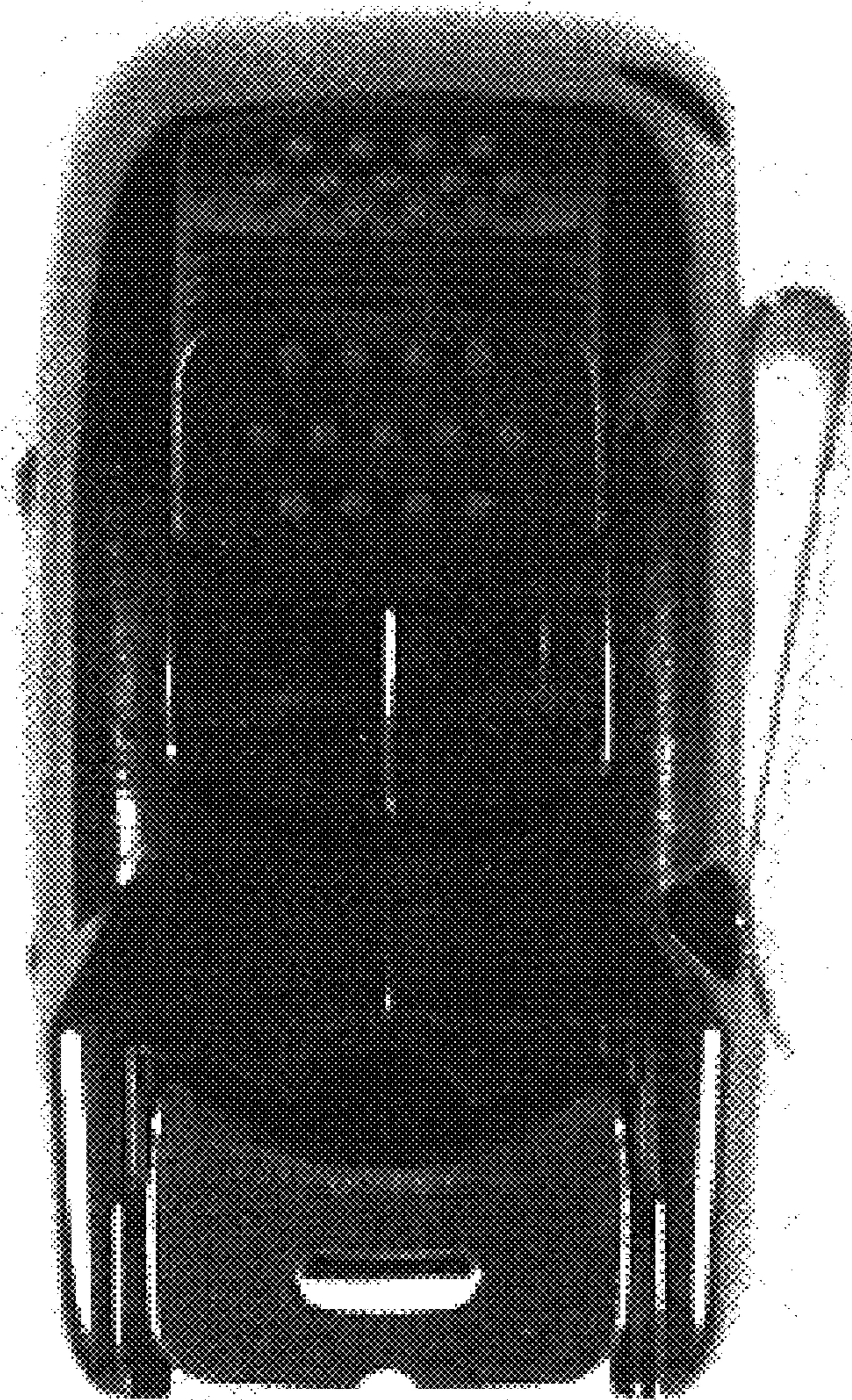


FIG. 3

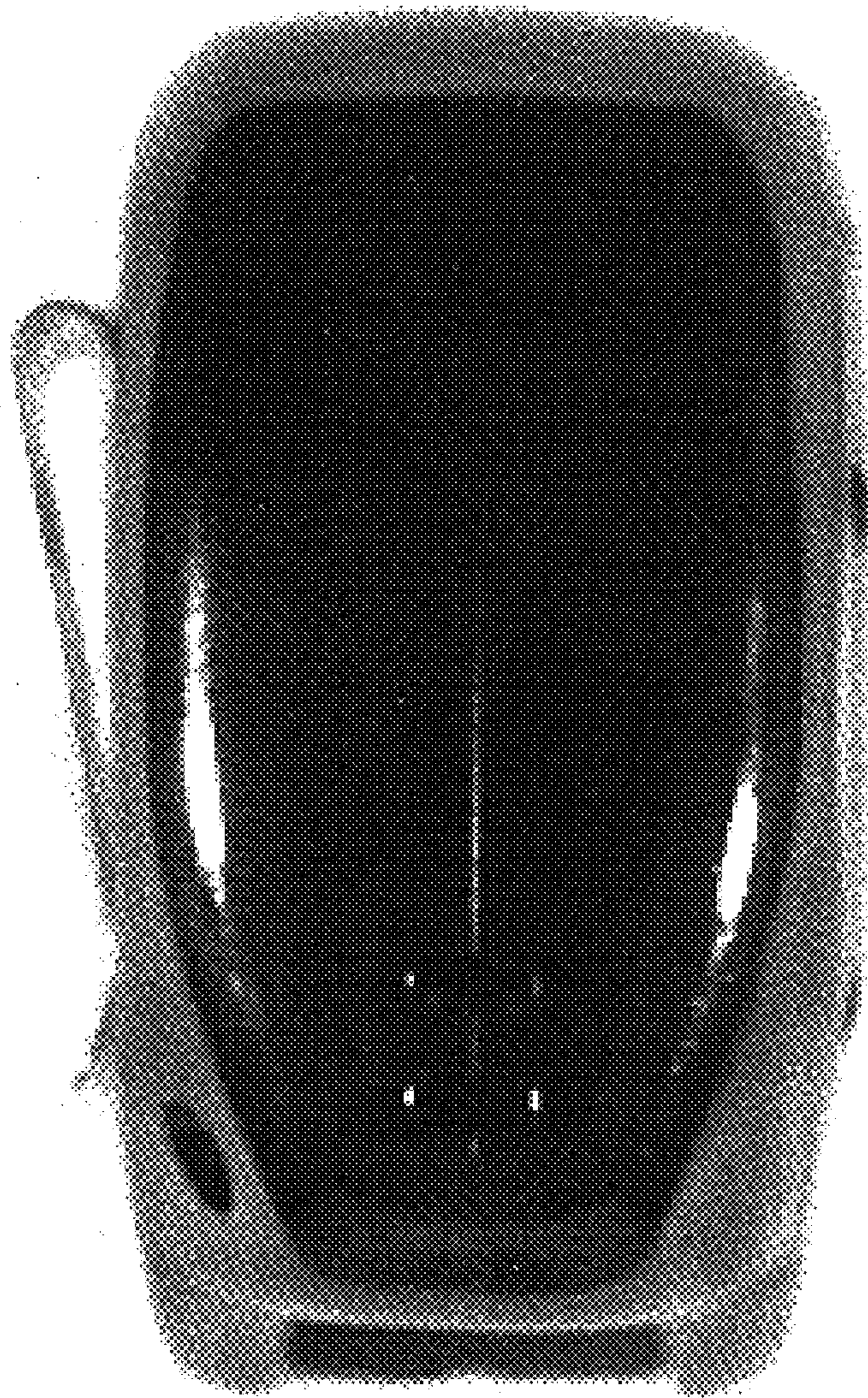


FIG. 4



FIG. 5

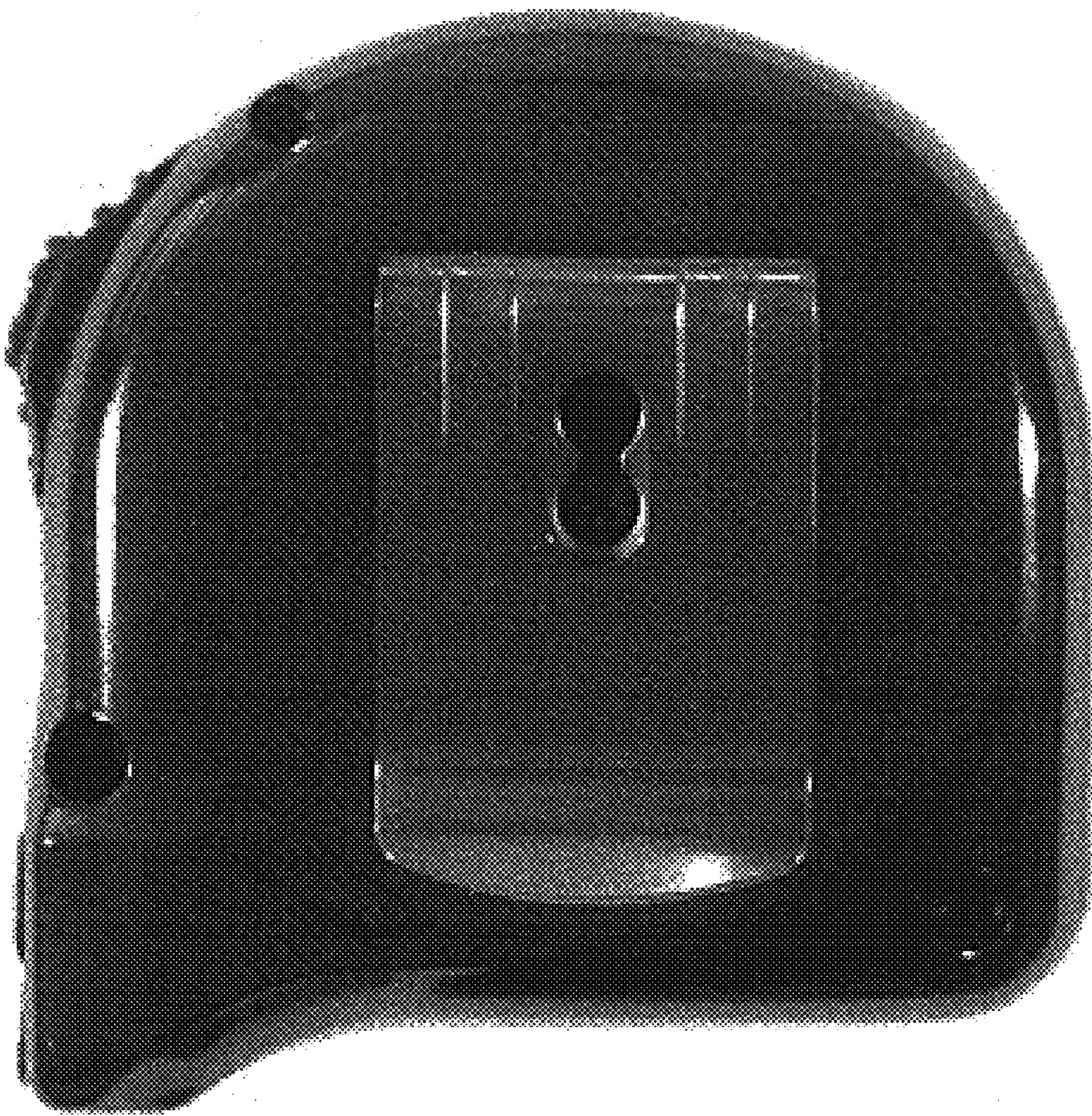


FIG. 6

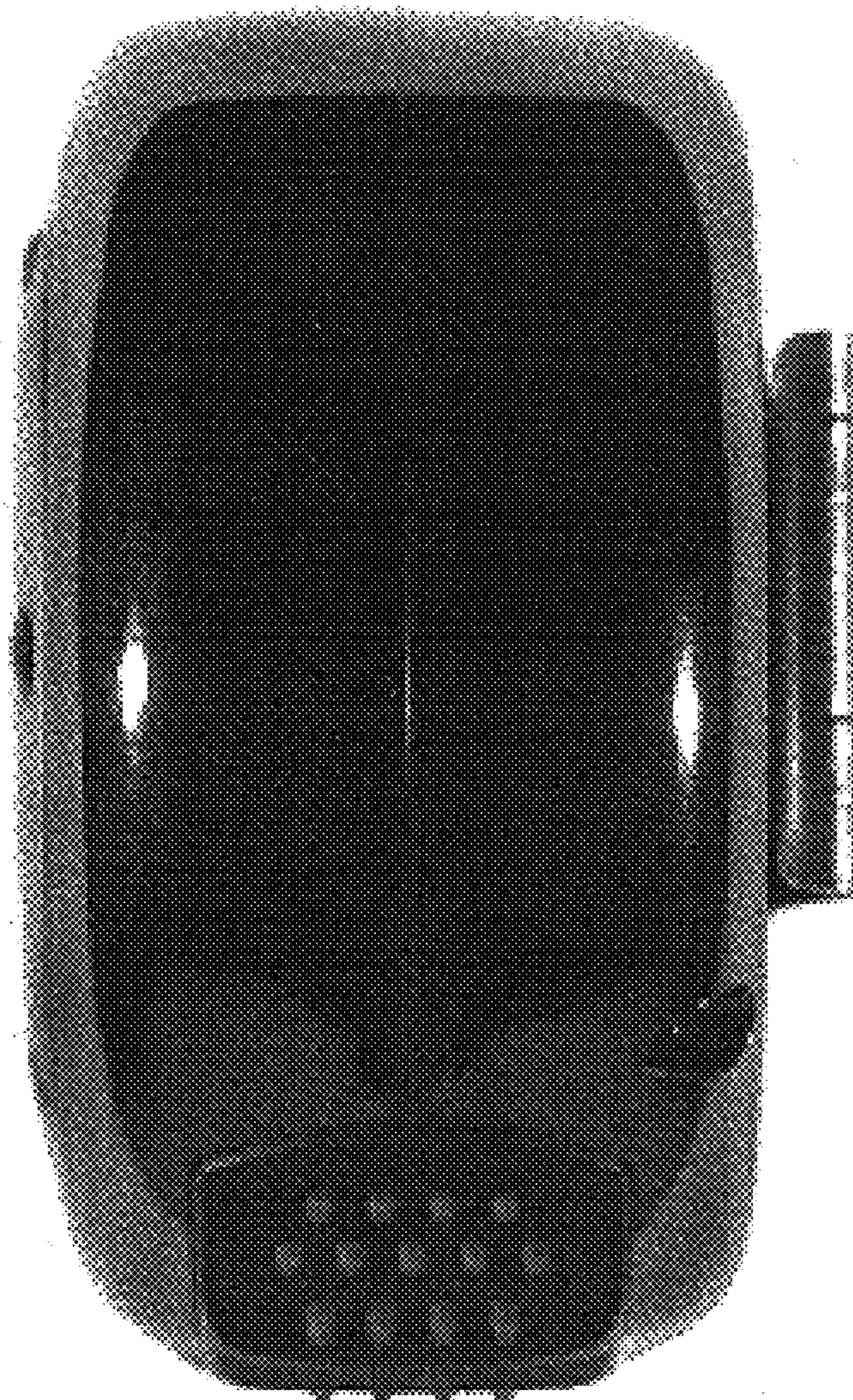


FIG. 7

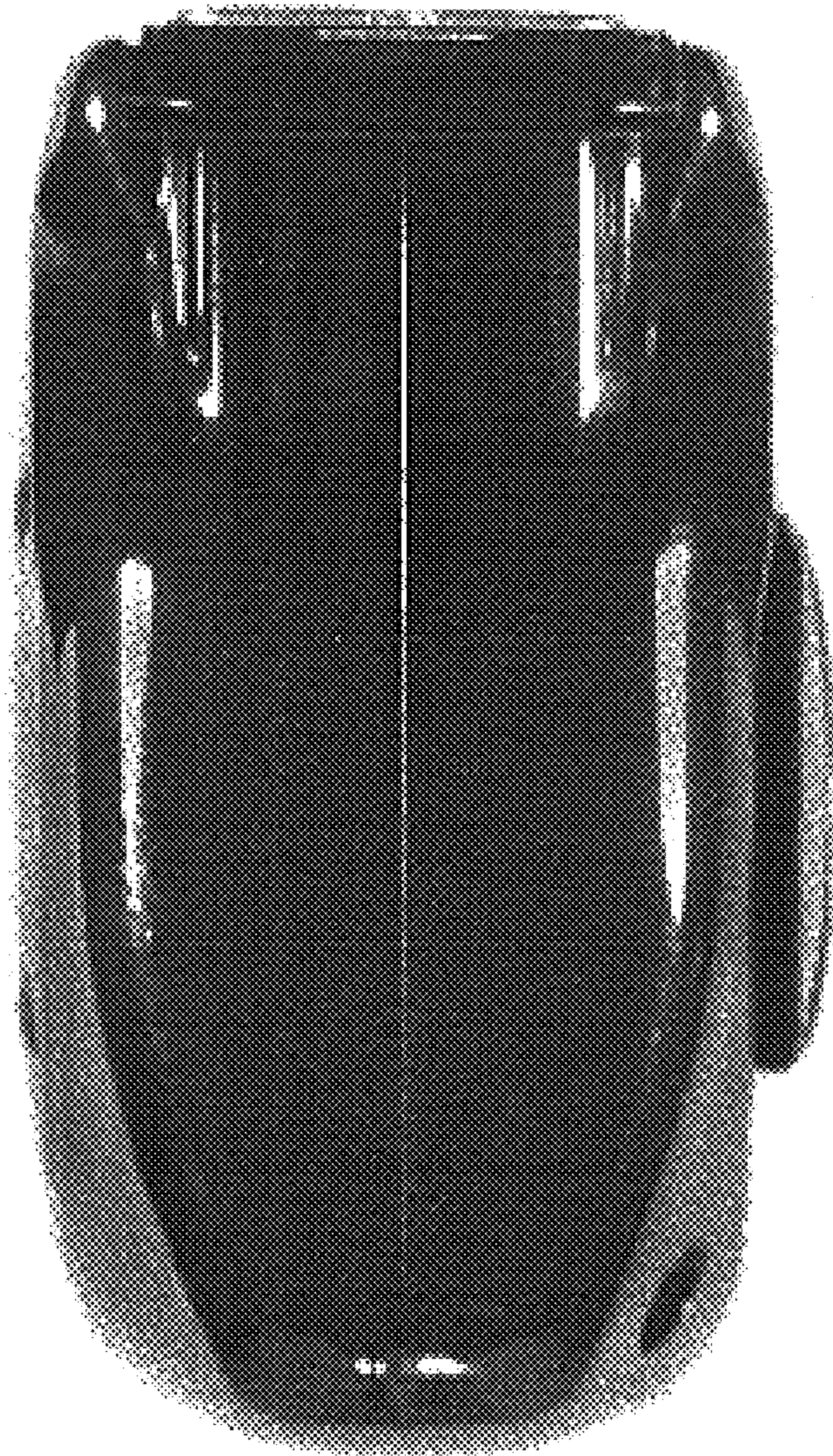


FIG. 8

