



US00D534088S

(12) **United States Design Patent**
Moore

(10) **Patent No.:** **US D534,088 S**

(45) **Date of Patent:** **** Dec. 26, 2006**

(54) **MECHANICAL THERMOSTAT**

(75) Inventor: **Glenn A. Moore**, Montgomery, IL (US)

(73) Assignee: **Braeburn Systems LLC**, Montgomery, IL (US)

(**) Term: **14 Years**

(21) Appl. No.: **29/243,759**

(22) Filed: **Nov. 29, 2005**

(51) **LOC (8) Cl.** **10-04**

(52) **U.S. Cl.** **D10/50; D10/49**

(58) **Field of Classification Search** D10/49-50;
62/180; 236/1 C, 11, 46 R, 47, 49.3, 51,
236/84, 94; 400/485

See application file for complete search history.

(56) **References Cited**

U.S. PATENT DOCUMENTS

6,164,374 A * 12/2000 Rhodes et al. 236/94
D507,757 S * 7/2005 Roher et al. D10/50

* cited by examiner

Primary Examiner—Antoine D. Davis

(74) *Attorney, Agent, or Firm*—Dillis V. Allen, Esq.

(57) **CLAIM**

The ornamental design for a mechanical thermostat, as shown.

DESCRIPTION

FIG. 1 is a perspective view of the present mechanical thermostat design;

FIG. 2 is a front view of the present mechanical thermostat design;

FIG. 3 is a right side view of the present mechanical thermostat design;

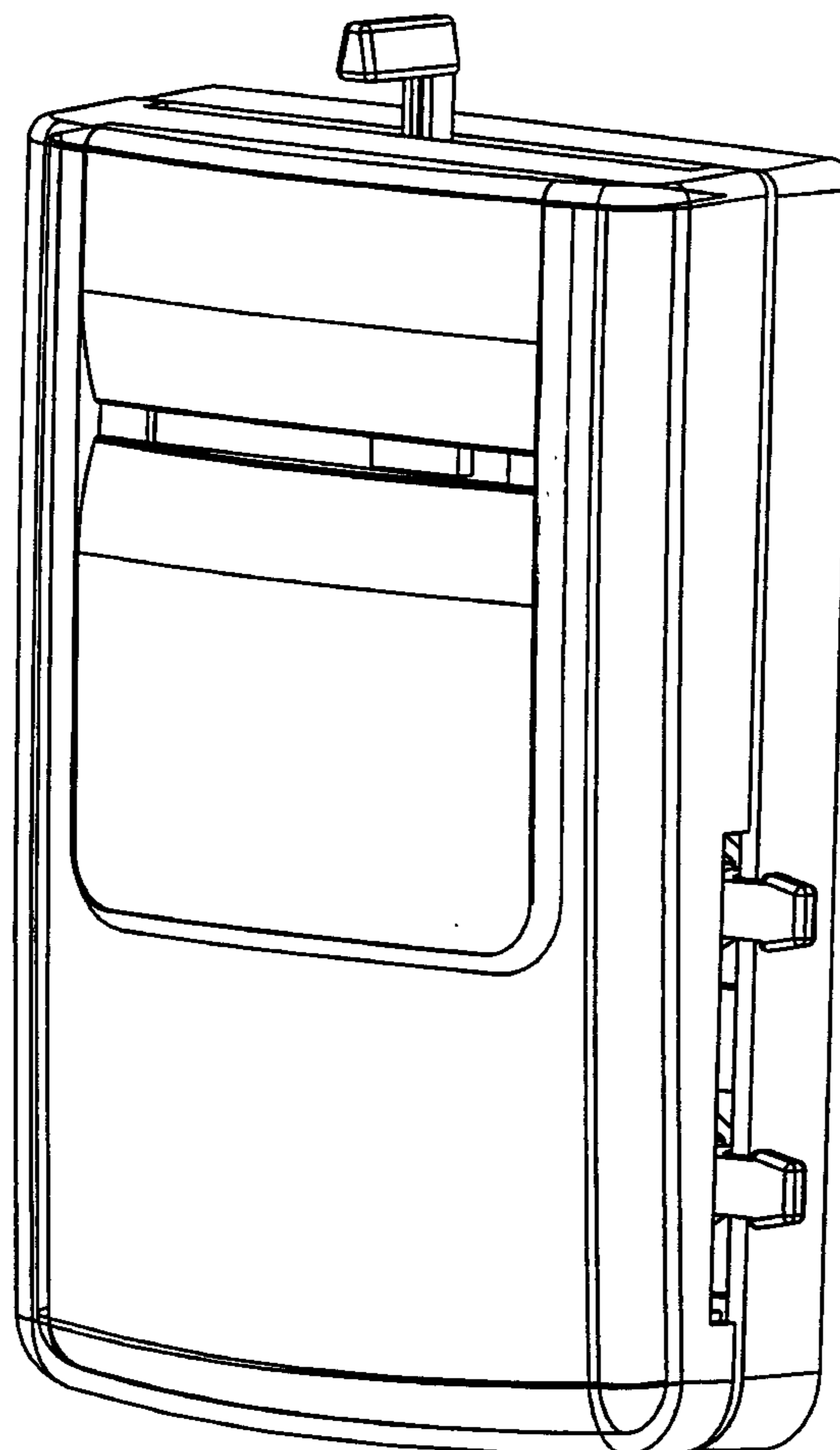
FIG. 4 is a left side view of the present mechanical thermostat design;

FIG. 5 is a top view of the present mechanical thermostat design;

FIG. 6 is a bottom view of the present mechanical thermostat design; and,

FIG. 7 is a rear view of the present mechanical thermostat design.

1 Claim, 2 Drawing Sheets



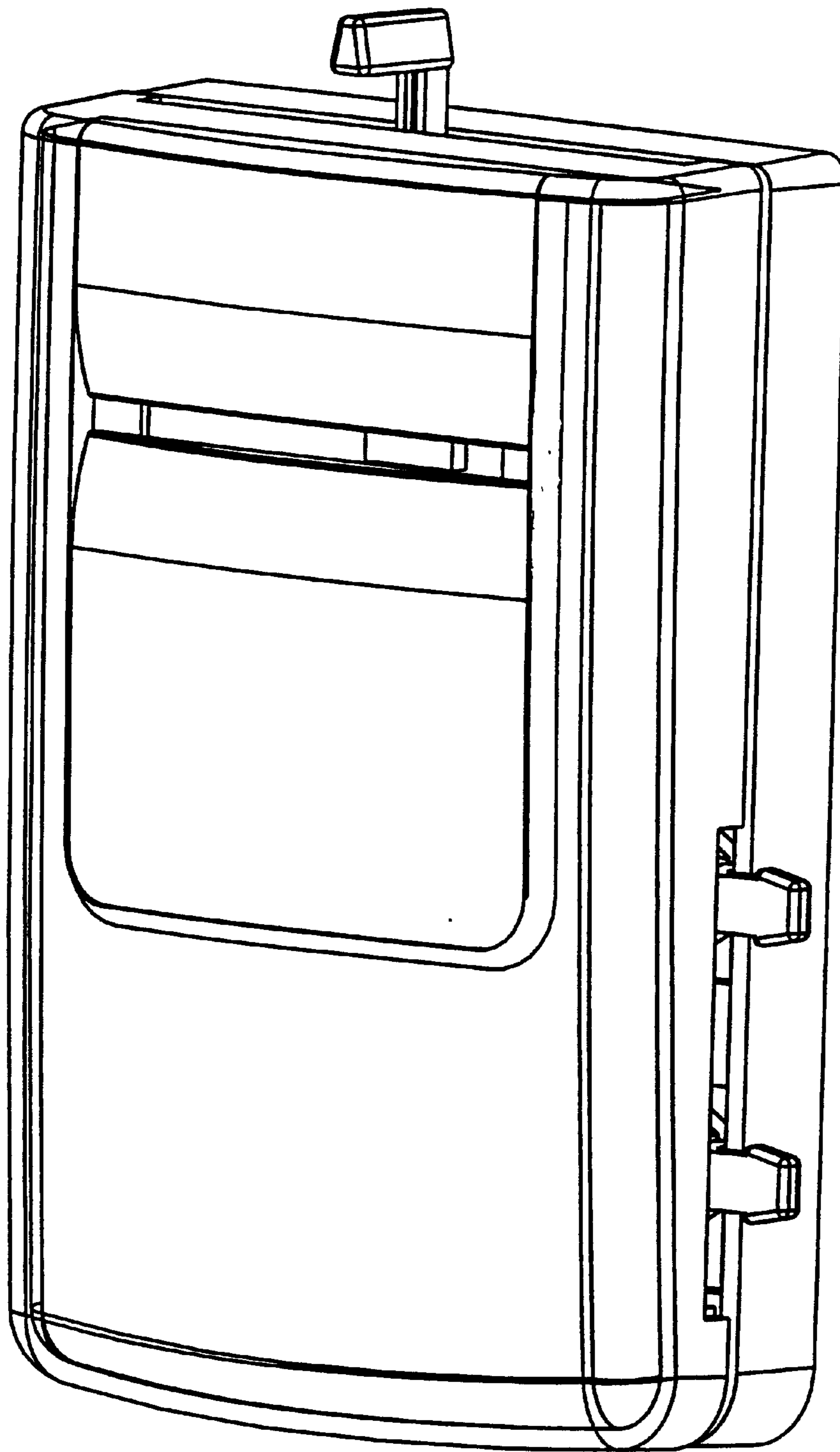


Fig. 1

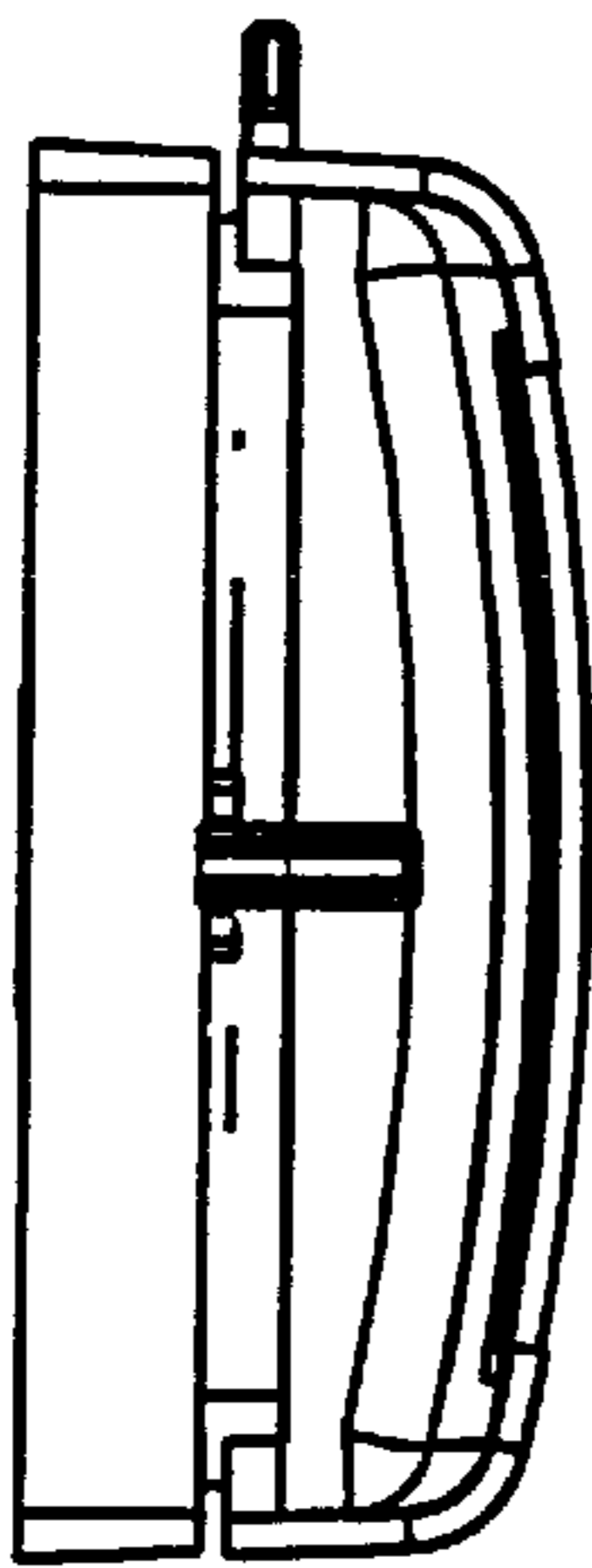


Fig. 5

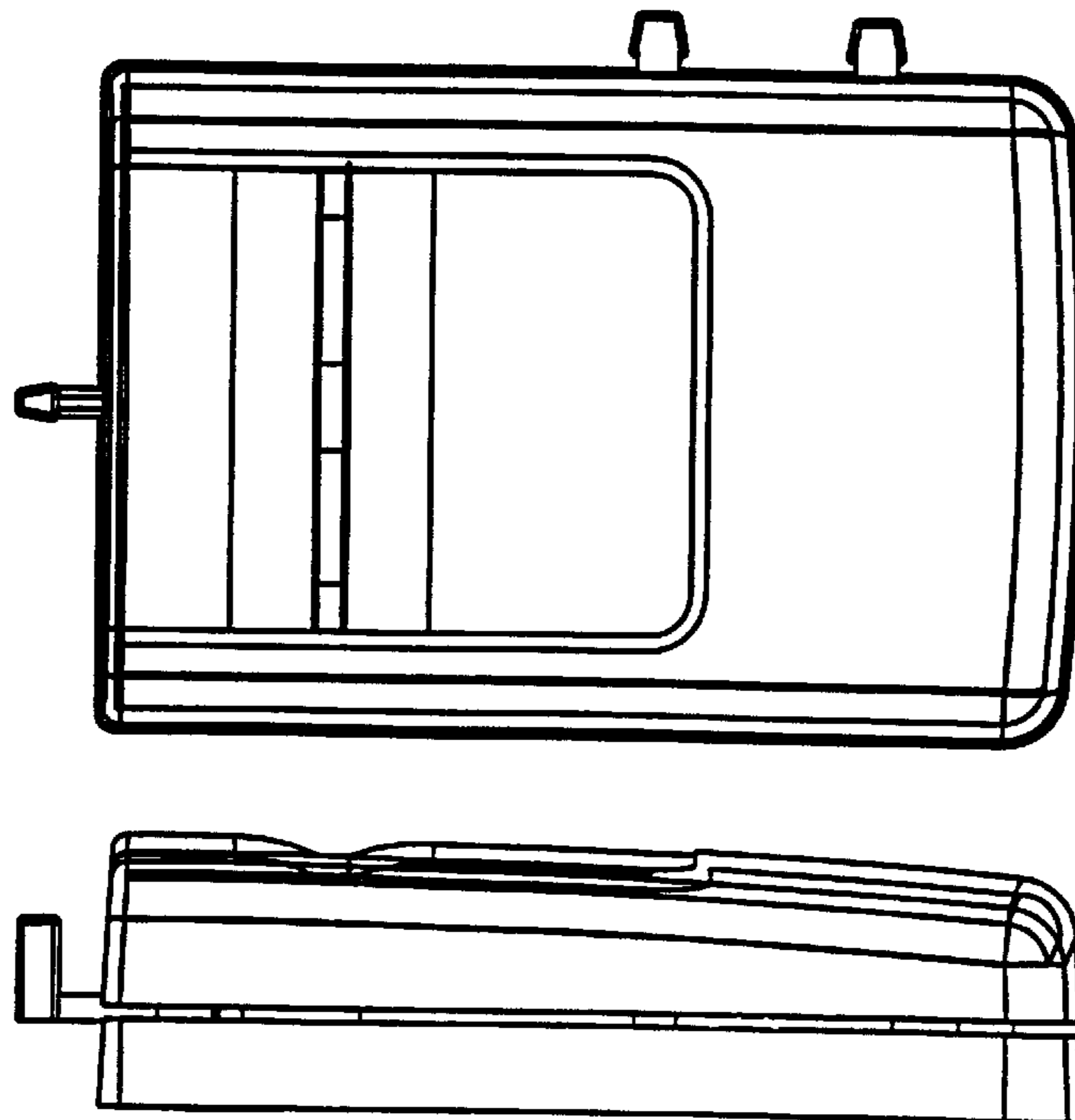


Fig. 4

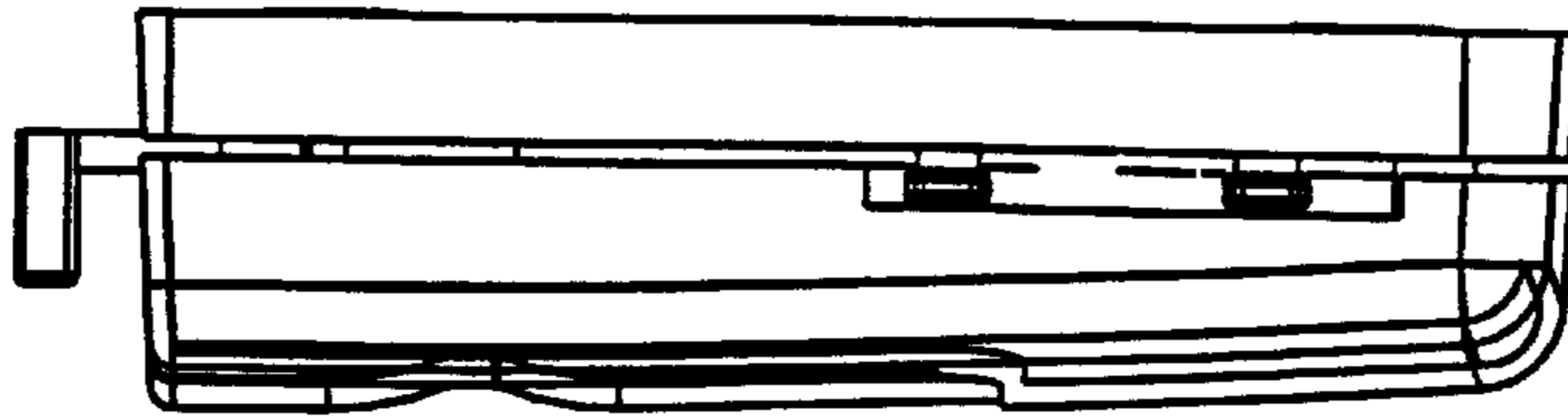


Fig. 3

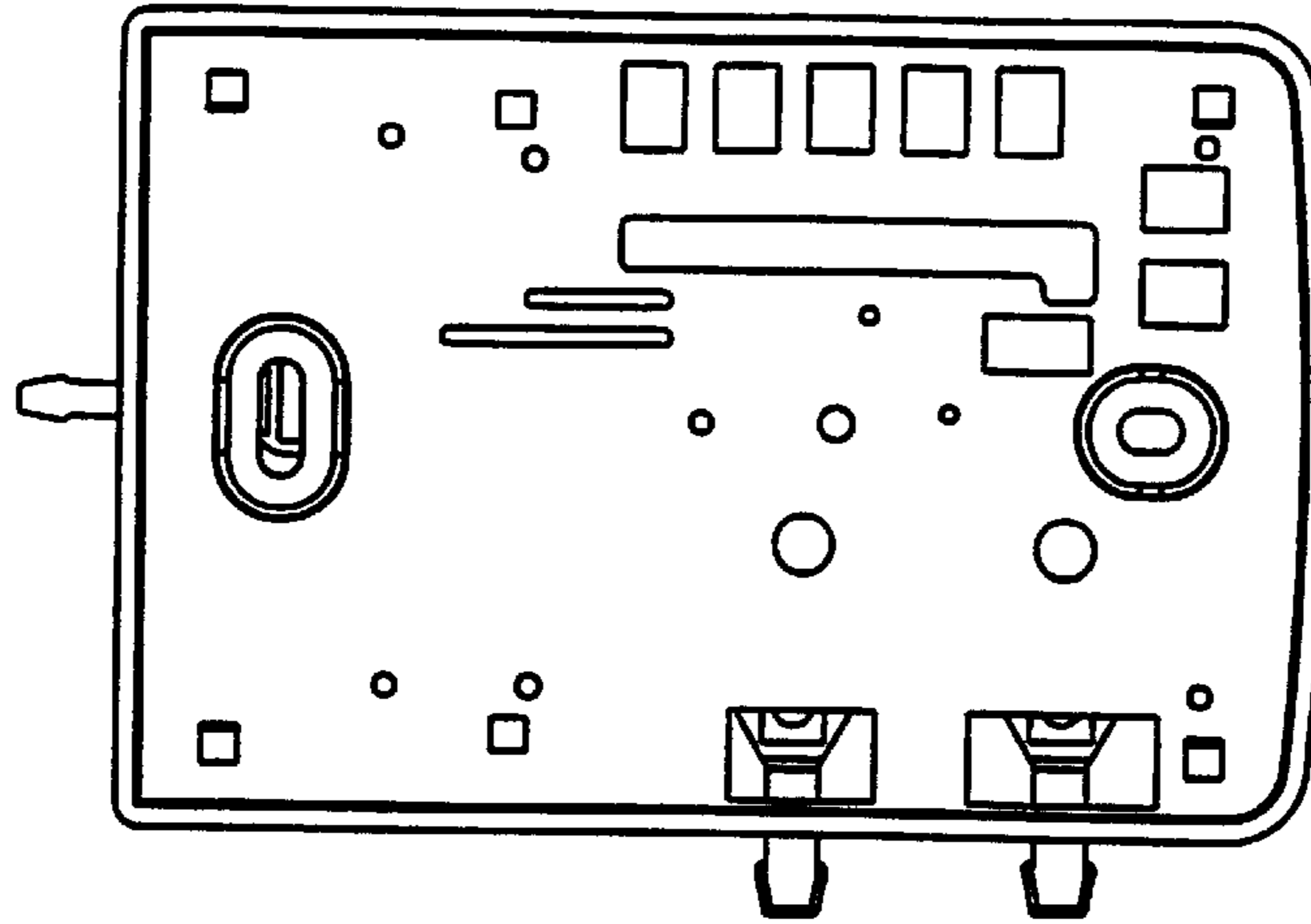


Fig. 7



Fig. 6

Fig. 2