



US00D534079S

(12) **United States Design Patent**  
**Livingston**

(10) **Patent No.:** **US D534,079 S**  
(45) **Date of Patent:** **\*\* Dec. 26, 2006**

(54) **BOTTLE BASE**

(75) Inventor: **John J. Livingston**, Denver, CO (US)

(73) Assignee: **Ball Corporation**, Broomfield, CO (US)

(\*\*) Term: **14 Years**

(21) Appl. No.: **29/212,255**

(22) Filed: **Aug. 30, 2004**

(51) **LOC (8) Cl.** ..... **09-01**

(52) **U.S. Cl.** ..... **D9/516; D9/520**

(58) **Field of Classification Search** ..... D9/434,  
D9/500, 502-504, 516, 520, 537, 549-550,  
D9/556-557; 215/370-371, 375-379, 381-385;  
220/600, 604, 608

See application file for complete search history.

(56) **References Cited**

U.S. PATENT DOCUMENTS

3,403,804	A	10/1968	Colombo	
4,294,366	A	* 10/1981	Chang	215/375
D269,500	S	* 6/1983	Bit	D9/502
4,525,401	A	6/1985	Pocock et al.	
D283,308	S	4/1986	Oakley et al.	
4,850,493	A	7/1989	Howard, Jr.	
D306,262	S	* 2/1990	Bit	D9/502
4,978,015	A	12/1990	Walker	
5,071,015	A	12/1991	Kinslow	
D327,845	S	7/1992	Behm et al.	
D370,178	S	5/1996	Petre et al.	
D380,685	S	* 7/1997	Steih	D9/549
5,713,480	A	2/1998	Petre et al.	
5,785,197	A	7/1998	Slat	

D403,969	S	* 1/1999	Rosler	D9/556
D409,493	S	5/1999	Waggaman et al.	
D414,112	S	9/1999	Waggaman et al.	
D424,948	S	5/2000	Ullmo	
6,065,624	A	5/2000	Steinke	
D459,658	S	7/2002	Darr et al.	
D461,413	S	8/2002	Darr et al.	
D476,896	S	7/2003	Cheng et al.	
D478,511	S	* 8/2003	Reynolds	D9/502
6,612,451	B1	9/2003	Tobias et al.	

FOREIGN PATENT DOCUMENTS

EM	000113071-0001	* 12/2003
EM	000158746-0001	* 4/2004
WO	DM/066426	* 2/2005

\* cited by examiner

*Primary Examiner*—Ian Simmons

*Assistant Examiner*—Dana L. Sipos

(74) *Attorney, Agent, or Firm*—Brinks Hofer Gilson Lione

(57) **CLAIM**

I claim the ornamental design for a bottle base, as shown and described.

**DESCRIPTION**

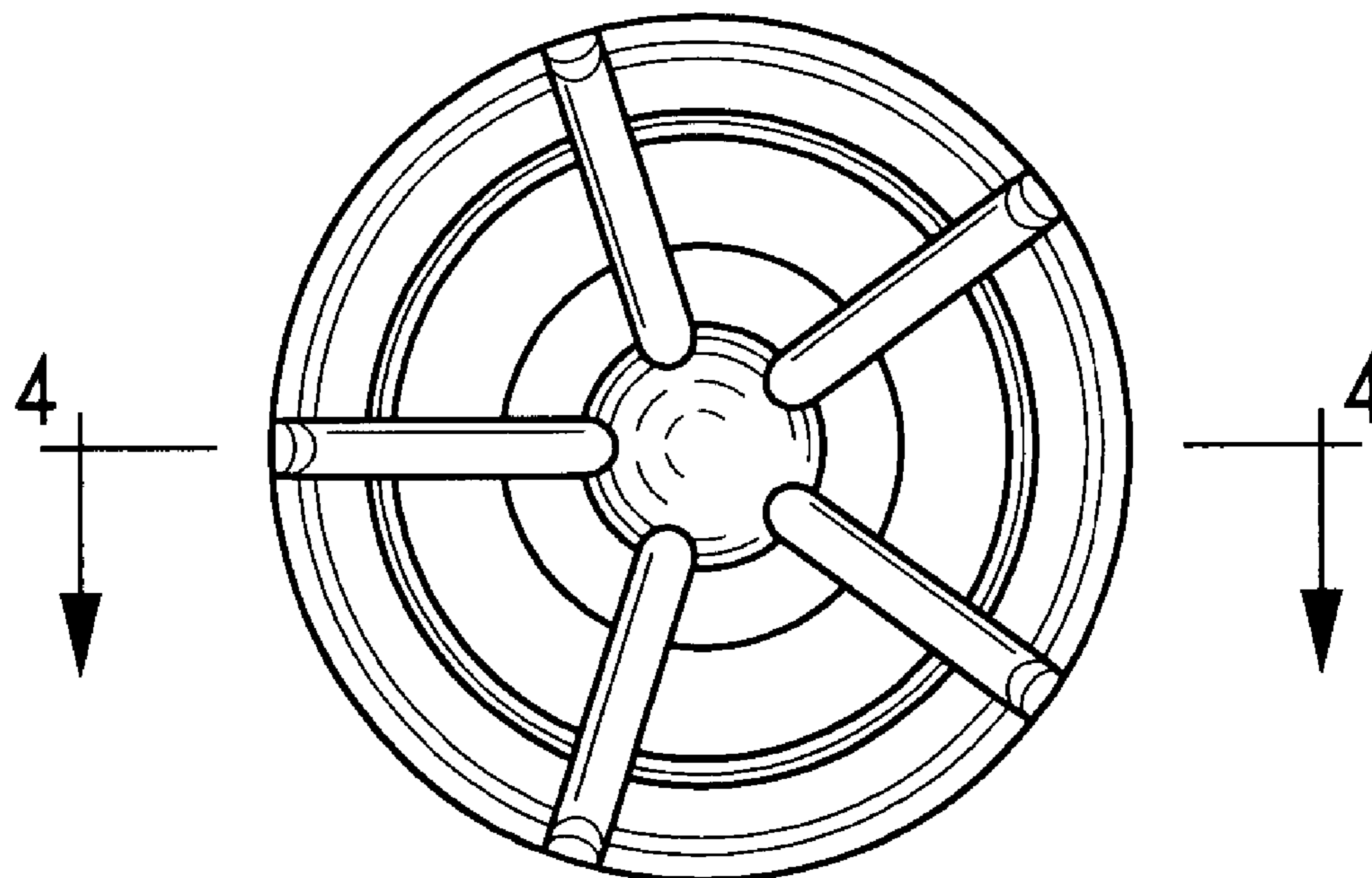
FIG. 1 is a side elevation view of a first side of a bottle showing the present invention, the portions shown in phantom forming no portion of the ornamental design.

FIG. 2 is a plan view from the bottom of FIG. 1.

FIG. 3 is a perspective view from the bottom left side of FIG. 1; and,

FIG. 4 is a sectional view of the bottle taken along line 4—4 of FIG. 2.

**1 Claim, 3 Drawing Sheets**



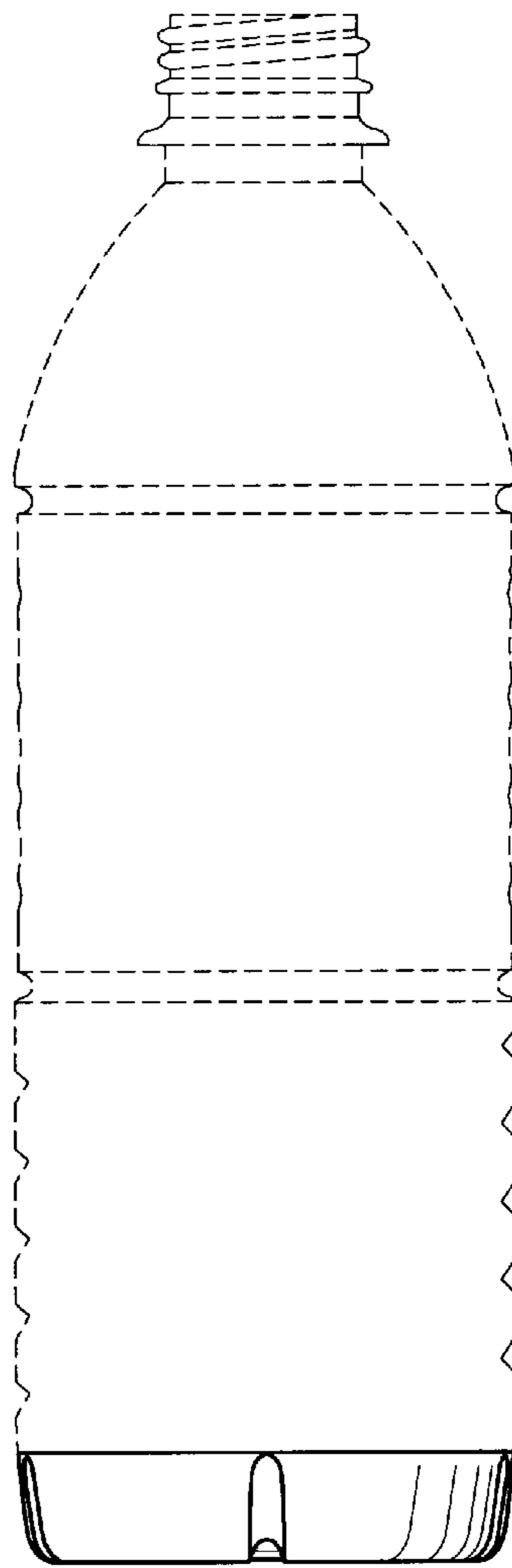


Fig. 1

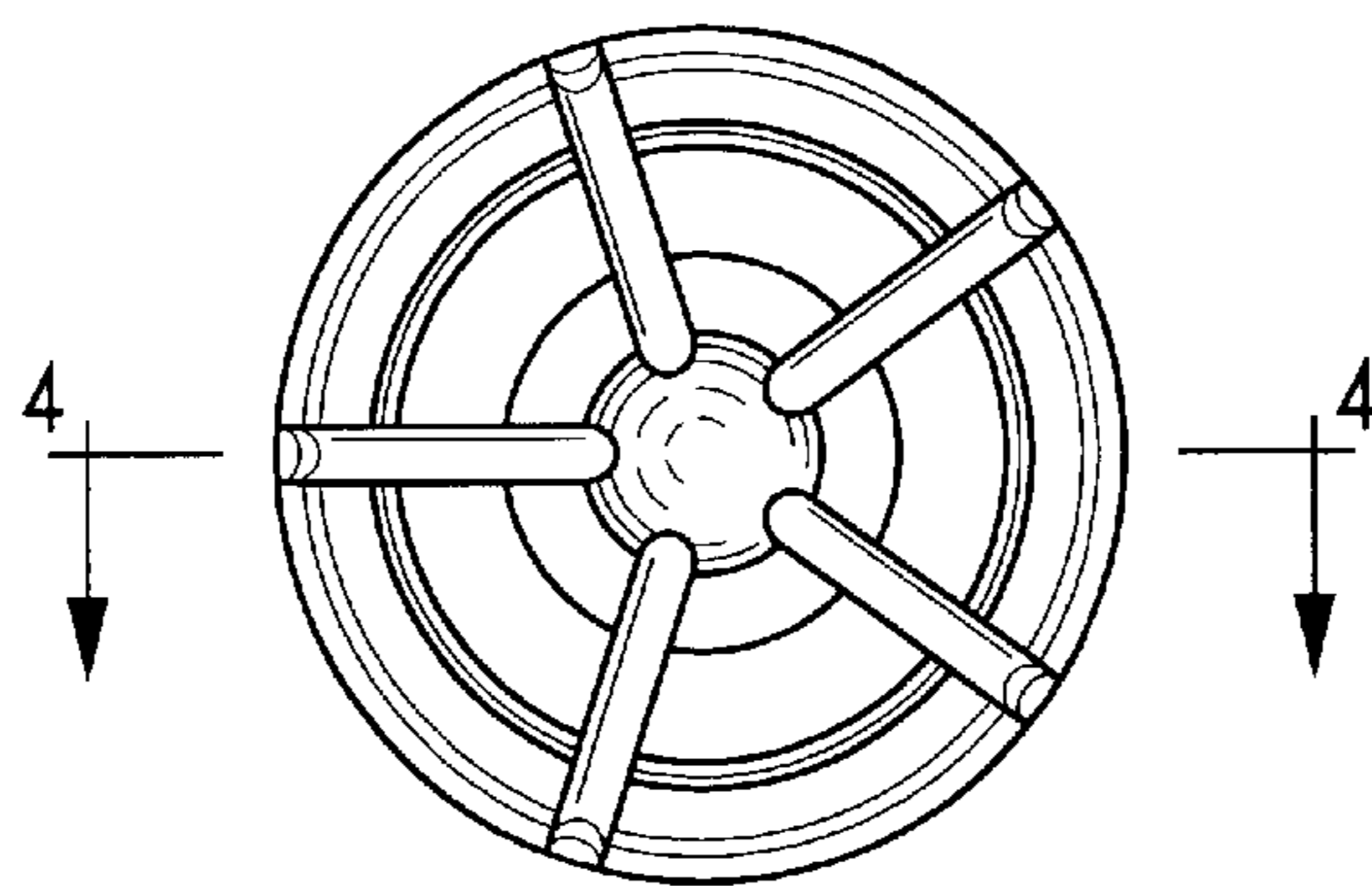


Fig. 2

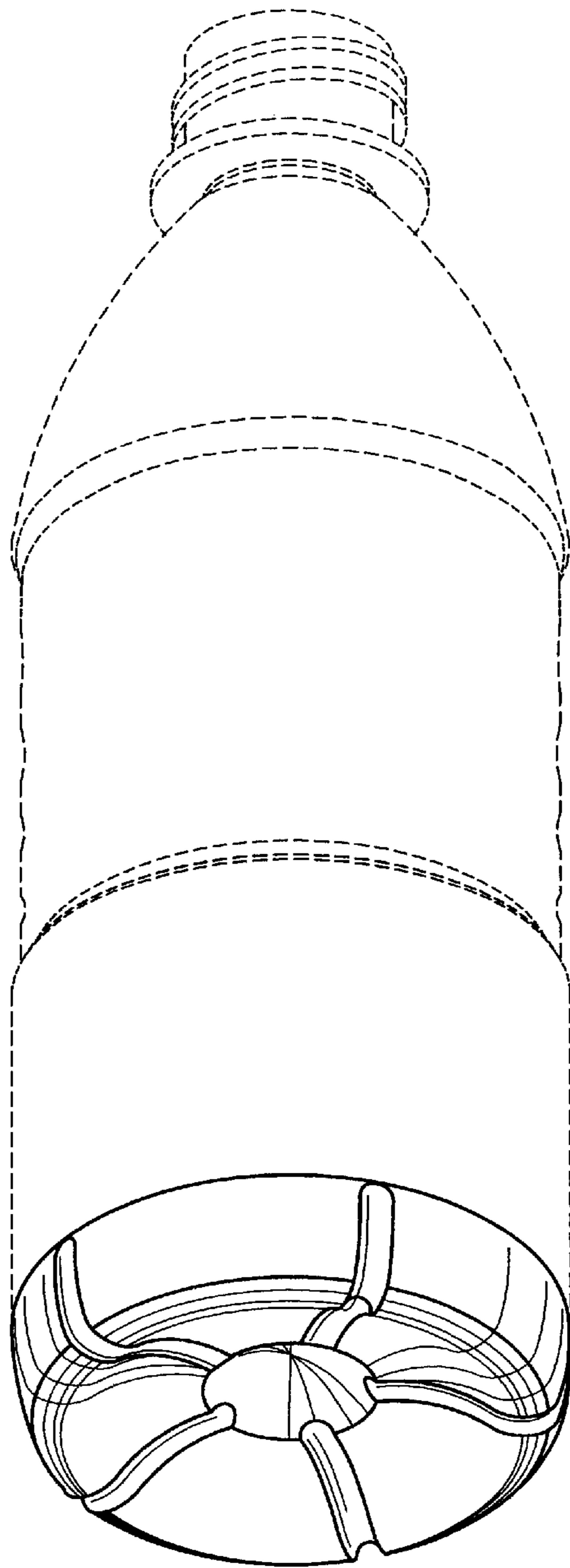


Fig. 3

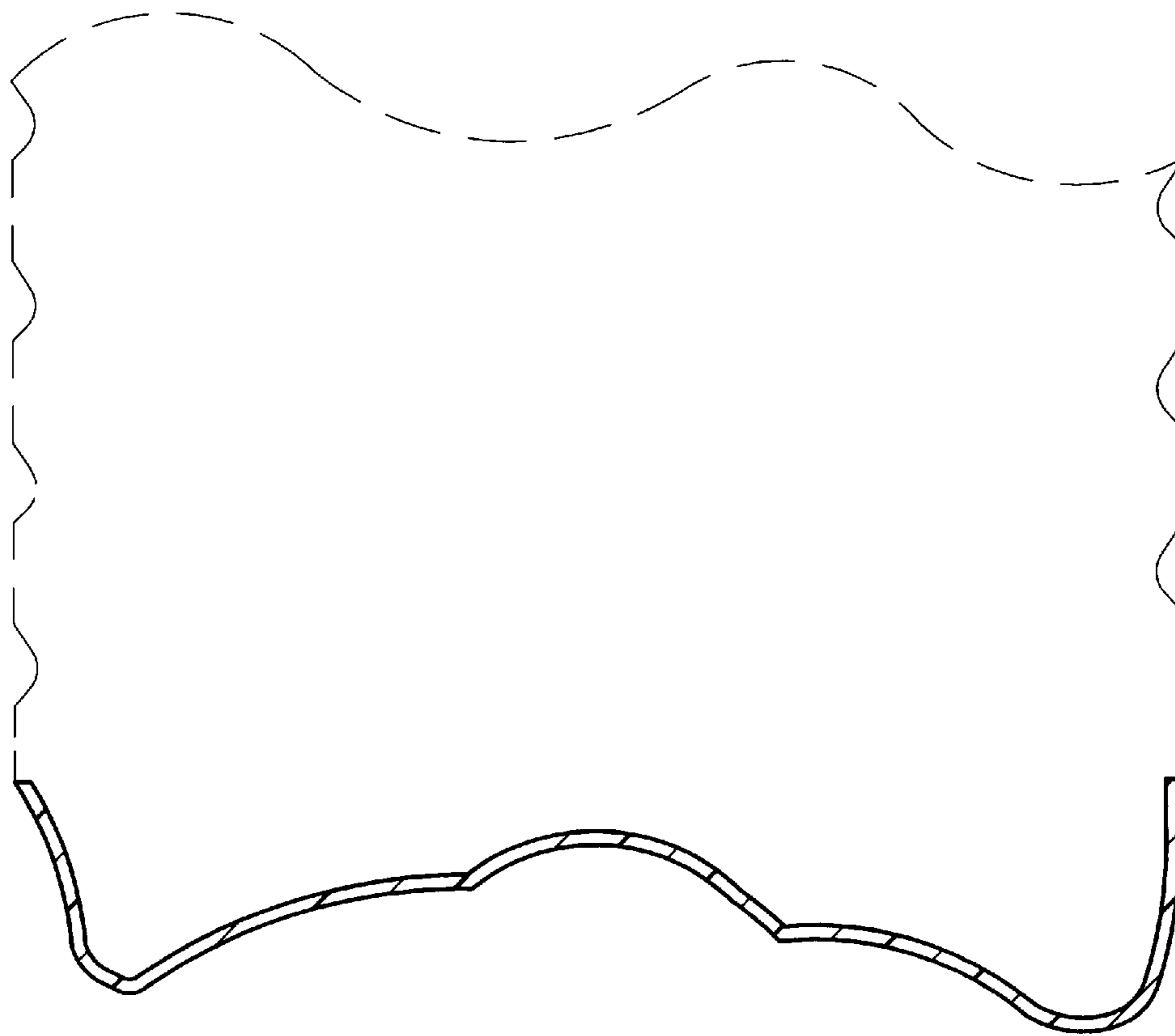


Fig. 4