



US00D534074S

(12) **United States Design Patent**  
**Stillerud**

(10) **Patent No.:** **US D534,074 S**

(45) **Date of Patent:** **\*\* Dec. 26, 2006**

(54) **PACKAGING**

(75) Inventor: **Lennart Stillerud**, Lund (SE)

(73) Assignee: **Tetra Laval Holdings & Finance, S.A.**, Pully (CH)

(\*\*) Term: **14 Years**

(21) Appl. No.: **29/258,969**

(22) Filed: **Apr. 28, 2006**

**Related U.S. Application Data**

(62) Division of application No. 29/214,155, filed on Sep. 29, 2004.

(30) **Foreign Application Priority Data**

Mar. 29, 2004 (EM) ..... 158886

(51) **LOC (8) Cl.** ..... **09-03**

(52) **U.S. Cl.** ..... **D9/432**

(58) **Field of Classification Search** ..... D9/430-432,  
D9/416, 417, 440, 447; D7/312, 317, 319,  
D7/321; 229/106, 113, 114, 111, 103.1, 125,  
229/123.1, 215, 117.24, 117.27, 125.09, 125.15,  
229/125.42, 247; 222/105, 107, 110, 111,  
222/92, 526, 531, 544, 566, 541.5; 220/601,  
220/613, 608, 666, 669

See application file for complete search history.

(56) **References Cited**

**U.S. PATENT DOCUMENTS**

5,498,225 A 3/1996 Nedstedt

D420,907 S 2/2000 Stacy-Ryan et al.

D424,429 S 5/2000 Anchor et al.

D436,032 S 1/2001 Croft et al.

D454,492 S 3/2002 Dammers

D480,965 S 10/2003 Stillerud

D481,630 S 11/2003 Stillerud

*Primary Examiner*—Stella Reid

*Assistant Examiner*—Mark Goodwin

(74) *Attorney, Agent, or Firm*—Buchanan Ingersoll & Rooney, PC

(57) **CLAIM**

The ornamental design for a packaging, as shown and described.

**DESCRIPTION**

FIG. 1 is a front, top perspective view of a packaging showing my new design.

FIG. 2 is a front elevational view thereof.

FIG. 3 is a right side elevational view; the left side being a mirror image thereof.

FIG. 4 is a top plan view thereof.

FIG. 5 is a bottom plan view thereof.

FIG. 6 is a front, top perspective view of a packaging showing a second embodiment of my new design.

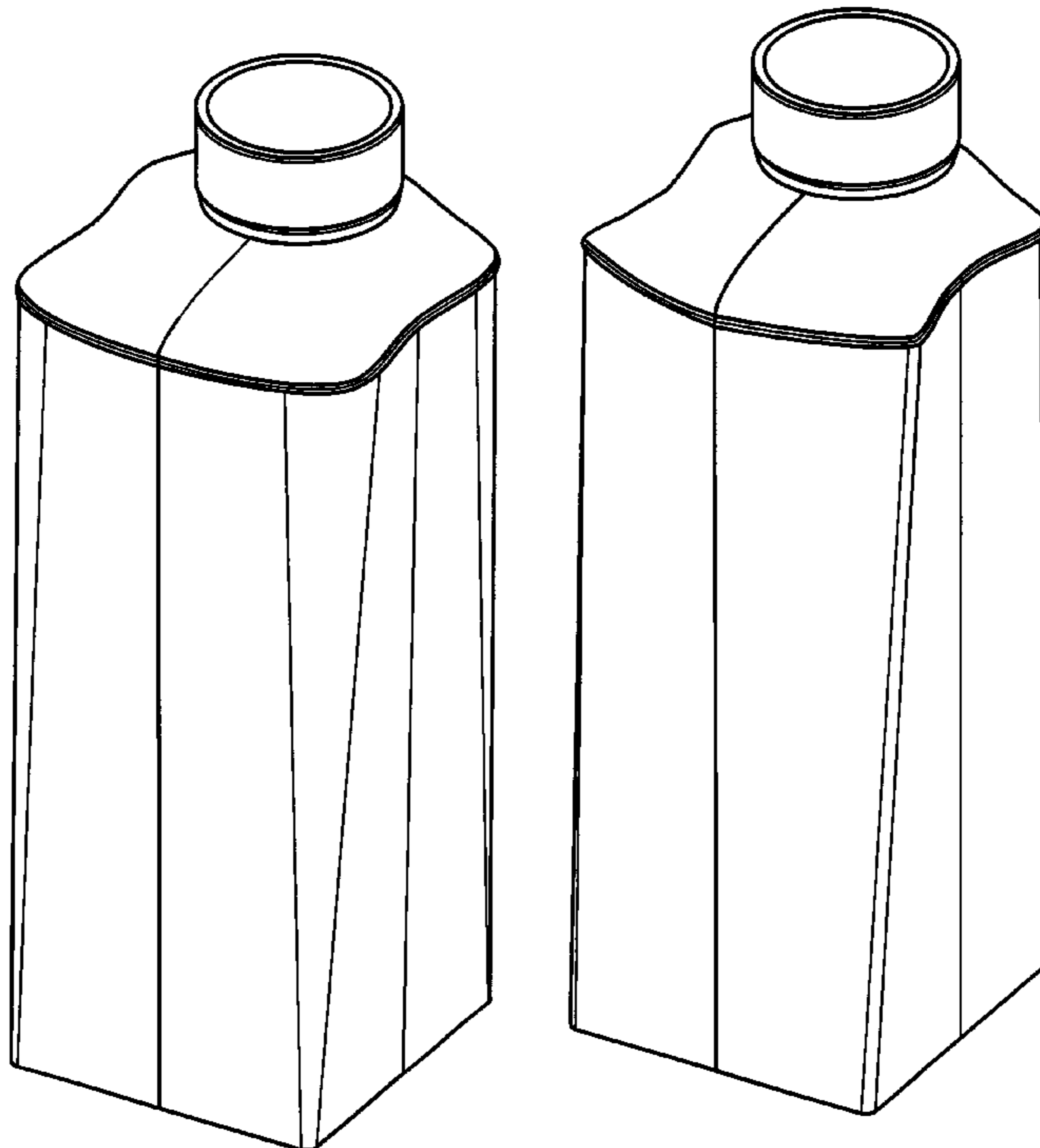
FIG. 7 is a front elevational view thereof.

FIG. 8 is a right side elevational view; the left being a mirror image thereof.

FIG. 9 is a top plan view thereof; and,

FIG. 10 is a bottom plan view thereof.

**1 Claim, 8 Drawing Sheets**



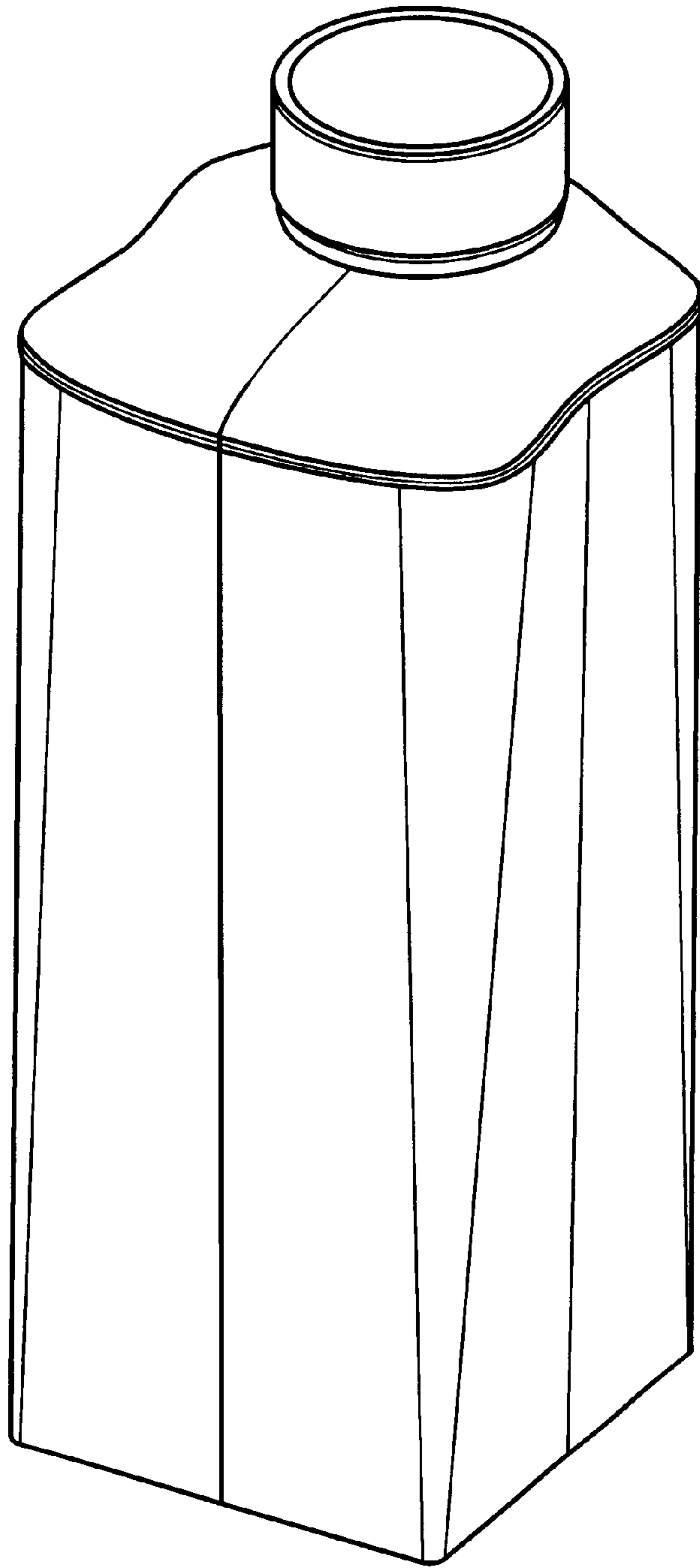


FIG. 1

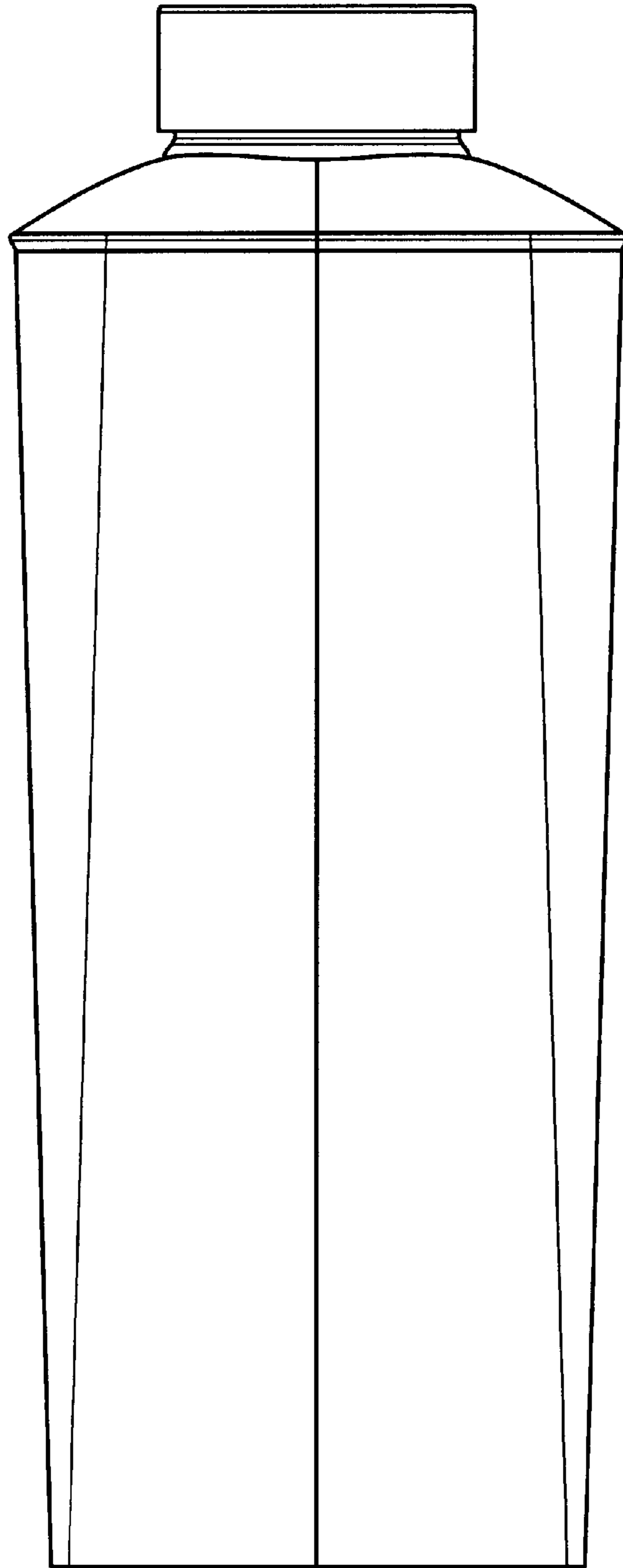


FIG. 2

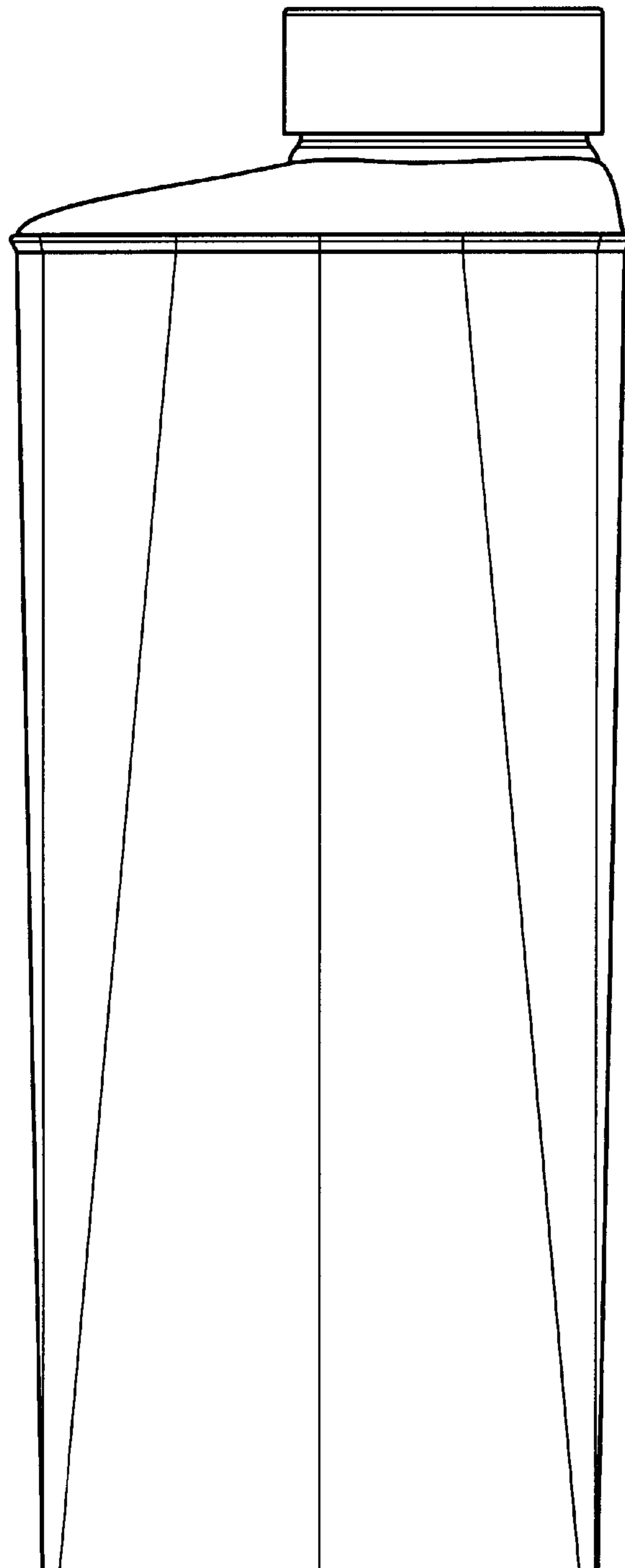


FIG. 3

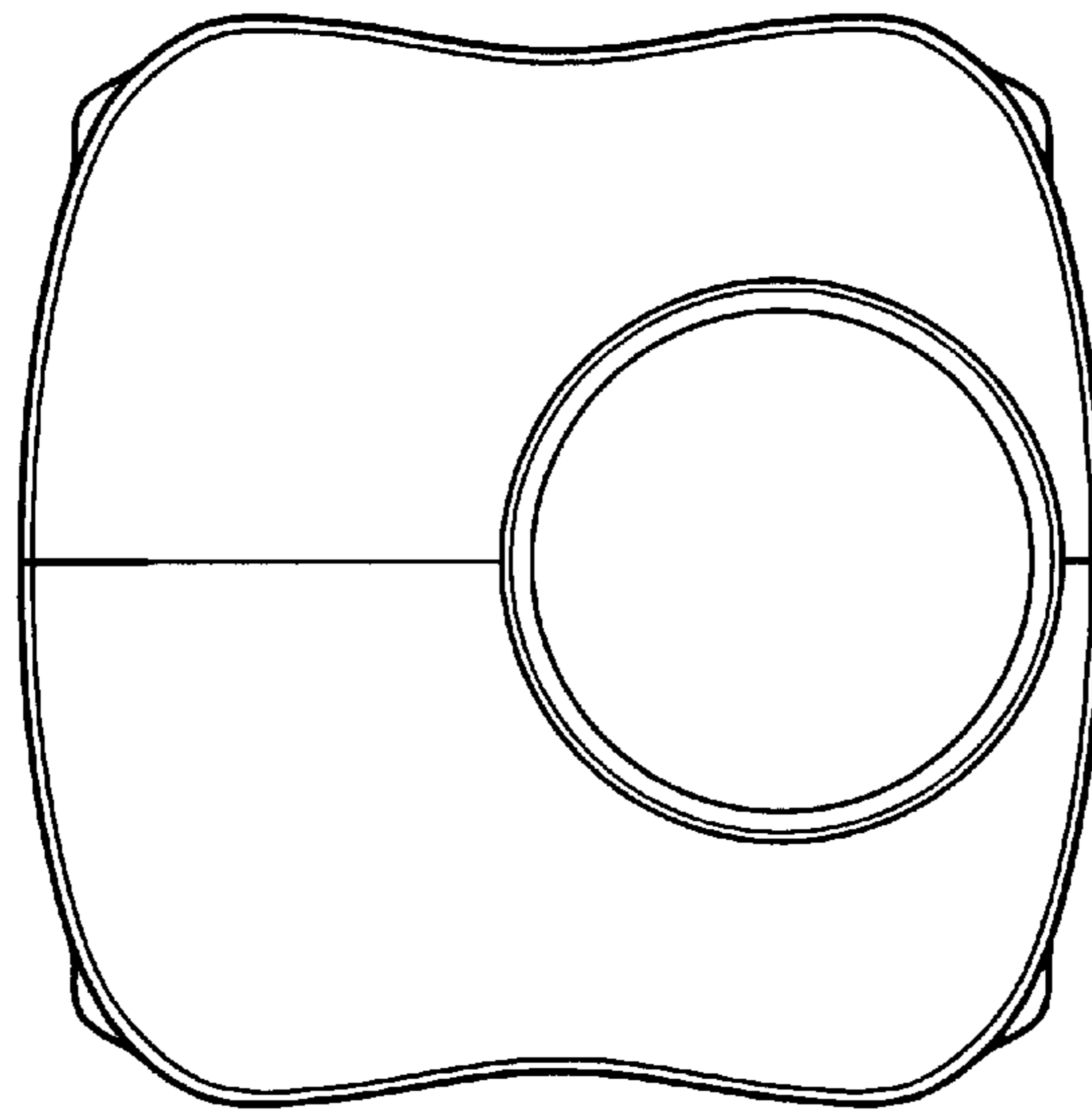


FIG. 4

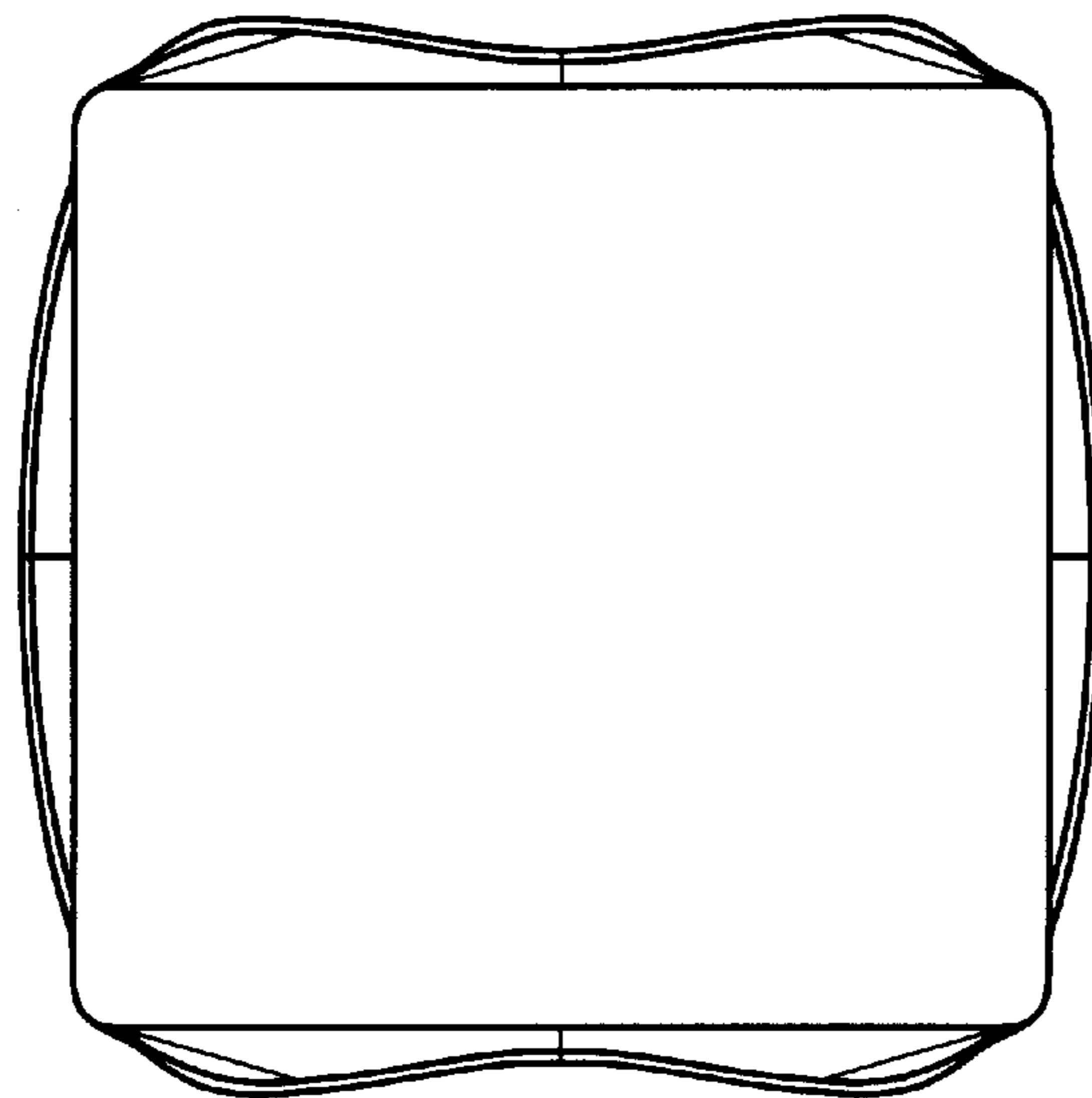


FIG. 5

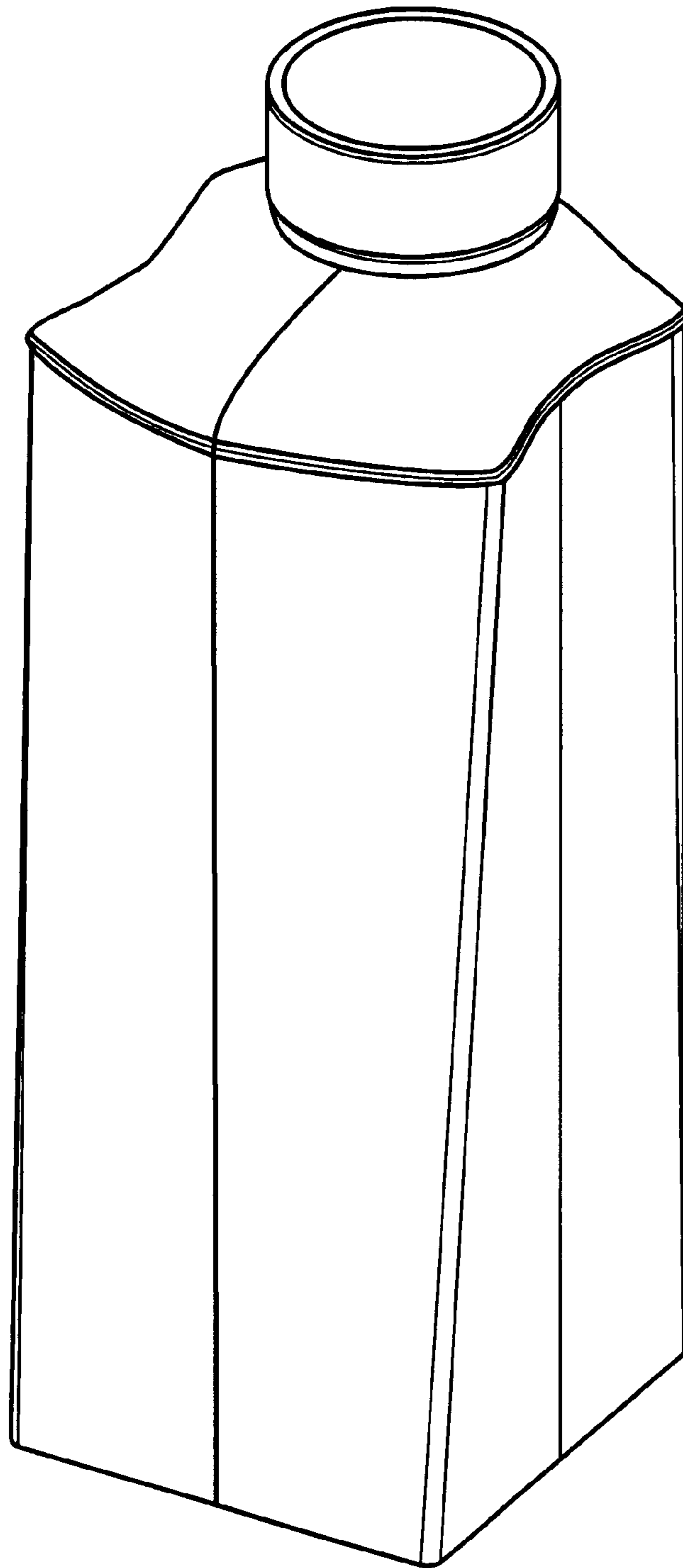


FIG. 6

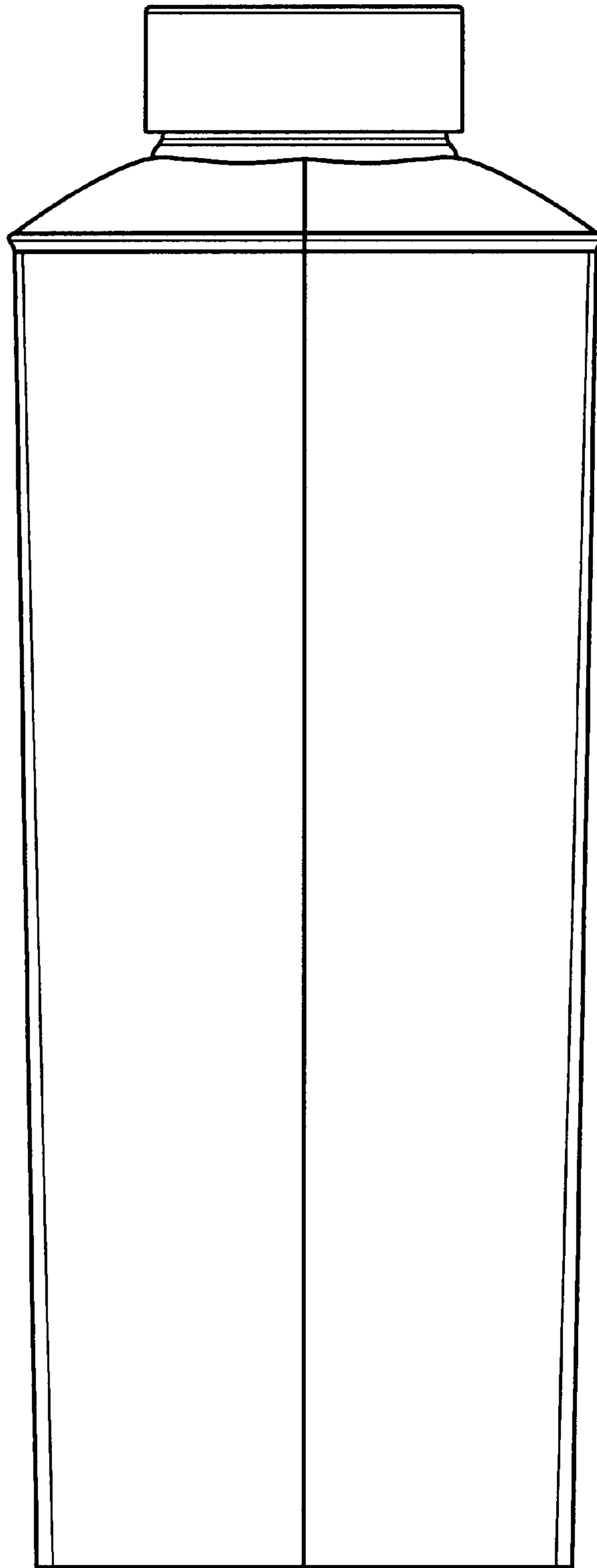


FIG. 7

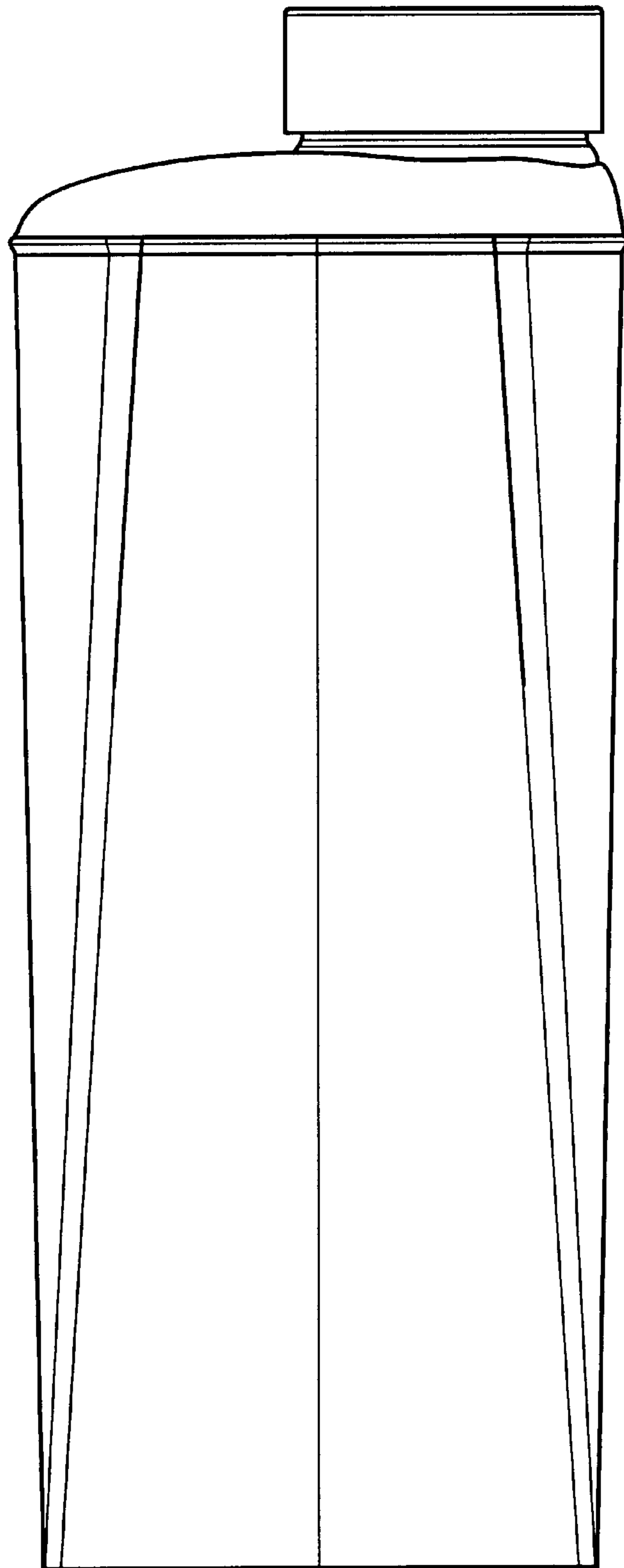


FIG. 8



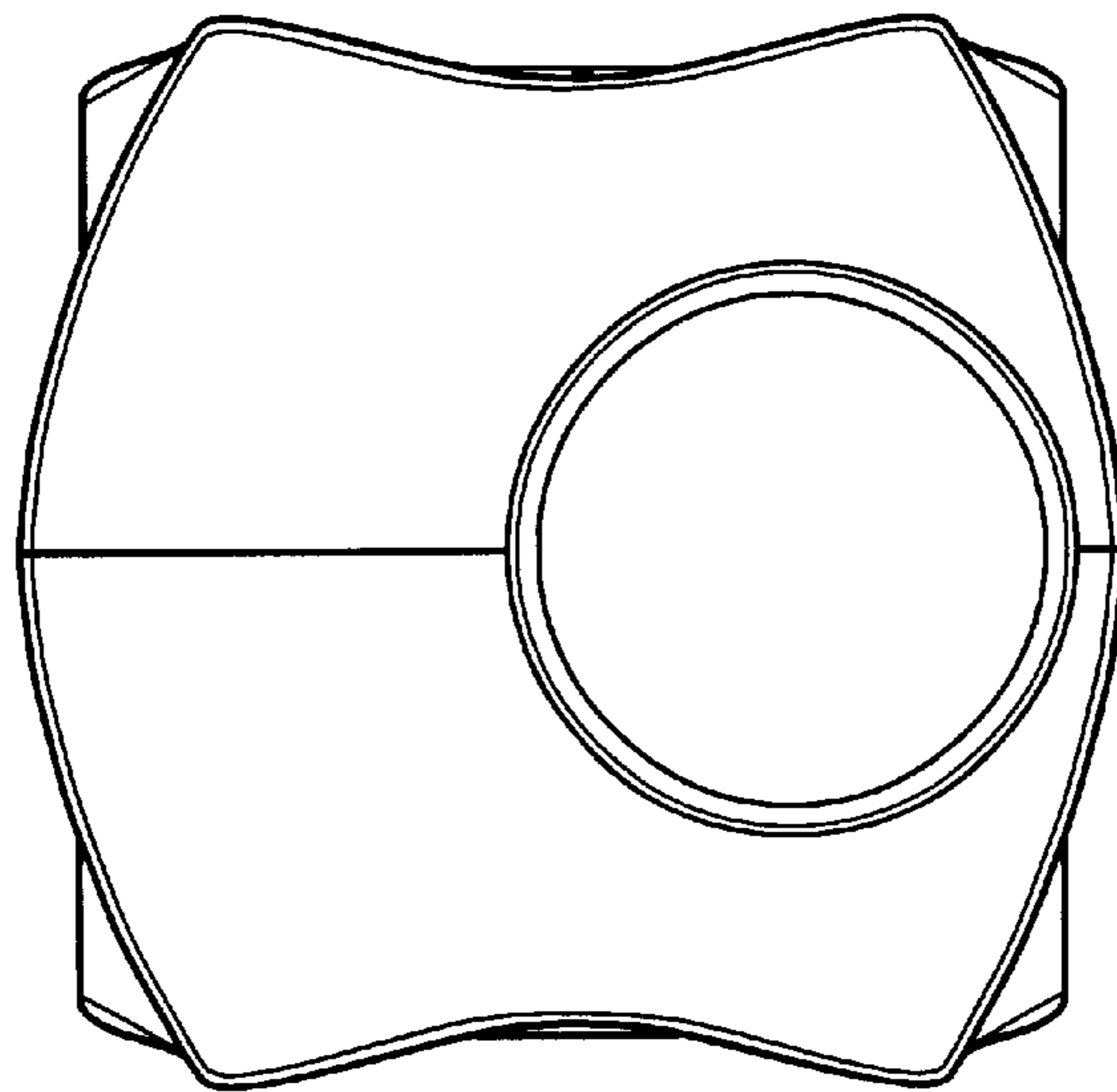


FIG. 9

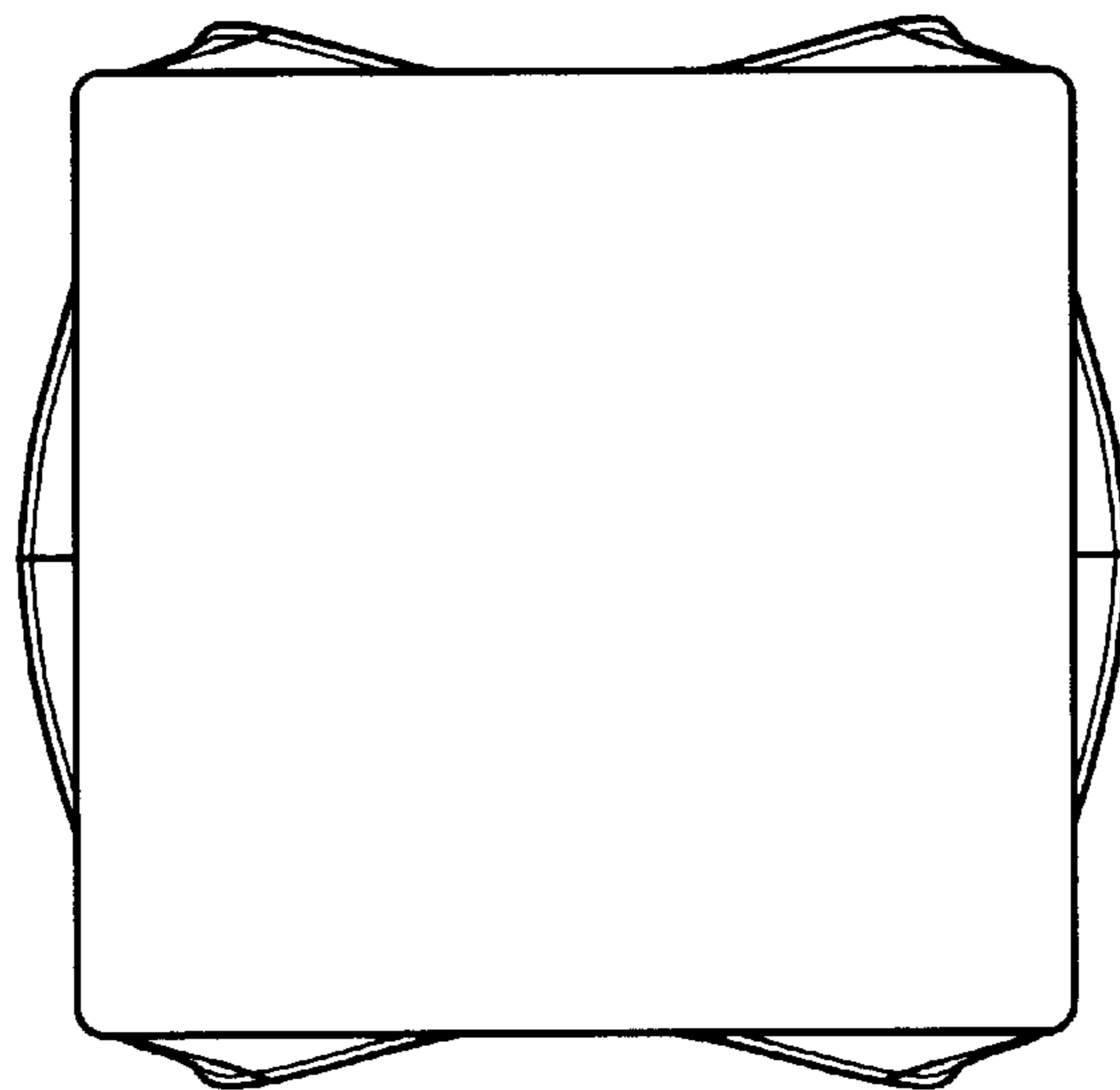


FIG. 10