



US00D534073S

(12) **United States Design Patent**
Stillerud

(10) **Patent No.:** **US D534,073 S**

(45) **Date of Patent:** **** Dec. 26, 2006**

(54) **PACKAGING**

(75) Inventor: **Lennart Stillerud**, Lund (SE)

(73) Assignee: **Tetra Laval Holdings & Finance S.A.**,
Pully (CH)

(**) Term: **14 Years**

(21) Appl. No.: **29/258,968**

(22) Filed: **Apr. 28, 2006**

Related U.S. Application Data

(62) Division of application No. 29/214,155, filed on Sep. 29,
2004.

(30) **Foreign Application Priority Data**

Mar. 29, 2004 (EM) 158886

(51) **LOC (8) Cl.** **09-03**

(52) **U.S. Cl.** **D9/432**

(58) **Field of Classification Search** D9/430-432,
D9/416, 417, 440, 447; D7/312, 317, 319,
D7/321; 229/106, 113, 114, 111, 103.1, 125,
229/123.1, 215, 117.24, 117.27, 125.09, 125.15,
229/125.42, 247; 222/105, 107, 110, 111,
222/92, 526, 531, 544, 566, 541.5; 220/601,
220/613, 608, 666, 669

See application file for complete search history.

(56) **References Cited**

U.S. PATENT DOCUMENTS

5,498,225 A 3/1996 Nedstedt

D420,907 S 2/2000 Stacy-Ryan et al.

D424,429 S 5/2000 Anchor et al.

D436,032 S 1/2001 Croft et al.

D454,492 S 3/2002 Dammers

D480,965 S 10/2003 Stillerud

D481,630 S 11/2003 Stillerud

Primary Examiner—Stella Reid

Assistant Examiner—Mark Goodwin

(74) *Attorney, Agent, or Firm*—Buchanan Ingersoll &
Rooney, PC

(57) **CLAIM**

The ornamental design for a packaging, as shown and
described.

DESCRIPTION

FIG. 1 is a front, top perspective view of a packaging
showing my new design.

FIG. 2 is a front elevational view, the rear being a mirror
image thereof.

FIG. 3 is a side elevational view; the other side being a
mirror image thereof.

FIG. 4 is a top plan view thereof.

FIG. 5 is a bottom plan view thereof.

FIG. 6 is a front, top perspective view of a packaging
showing a second embodiment of my new design.

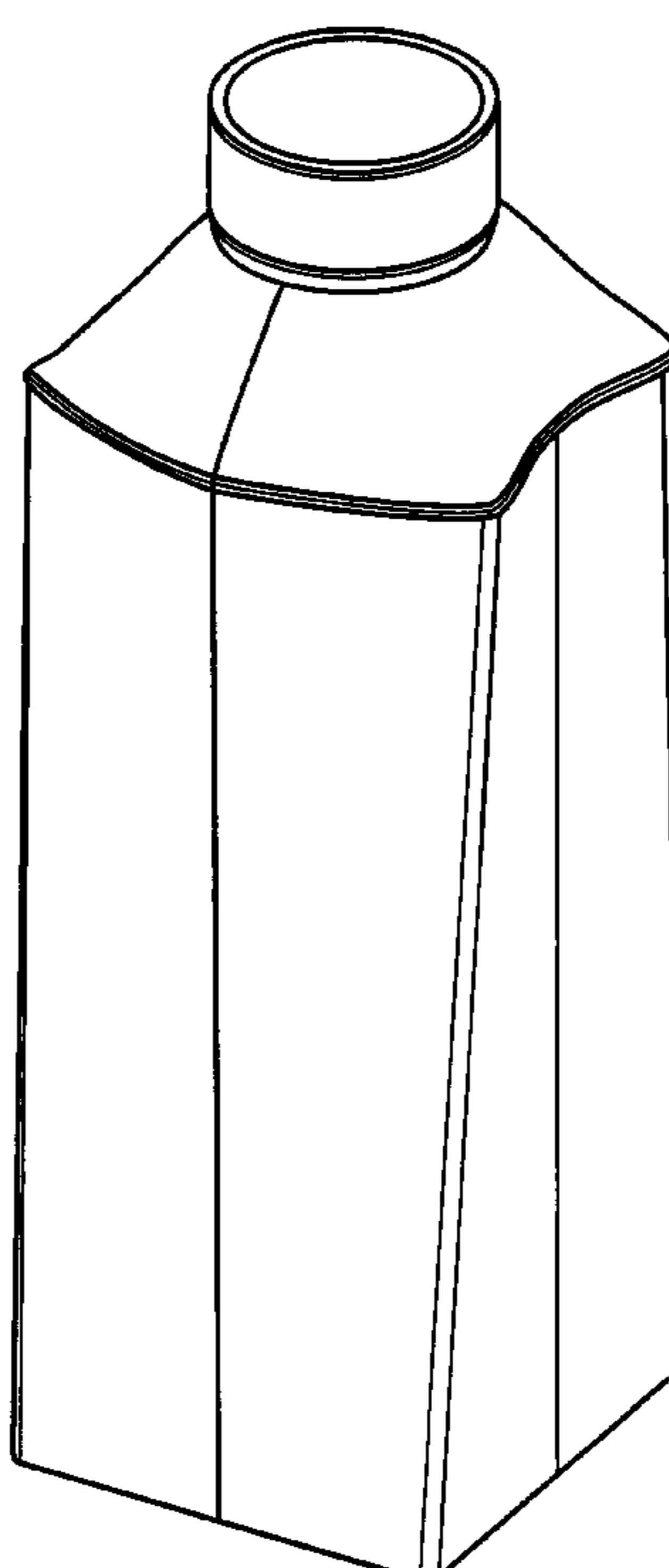
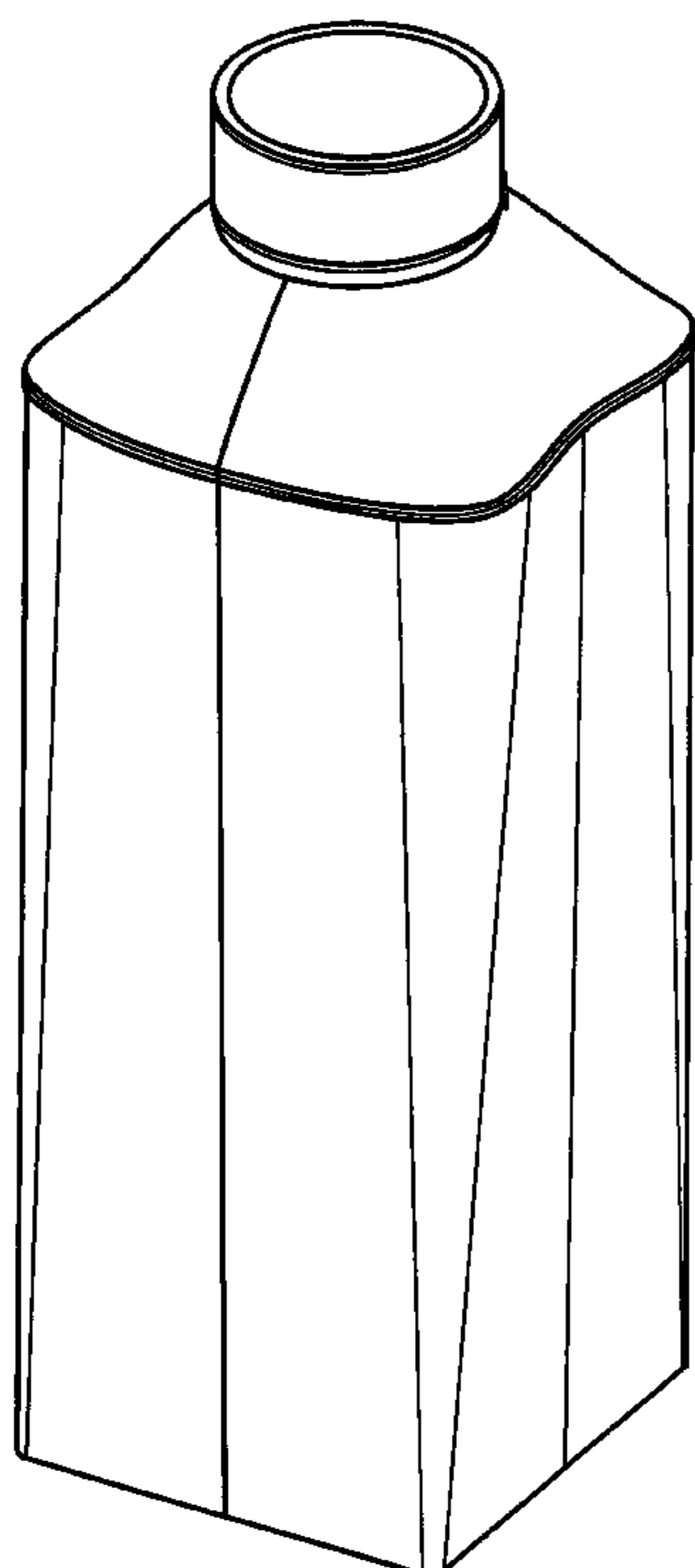
FIG. 7 is a front elevational view, the rear being a mirror
image thereof.

FIG. 8 is a side elevational view; the other side being a
mirror image thereof.

FIG. 9 is a top plan view thereof; and,

FIG. 10 is a bottom plan view thereof.

1 Claim, 8 Drawing Sheets



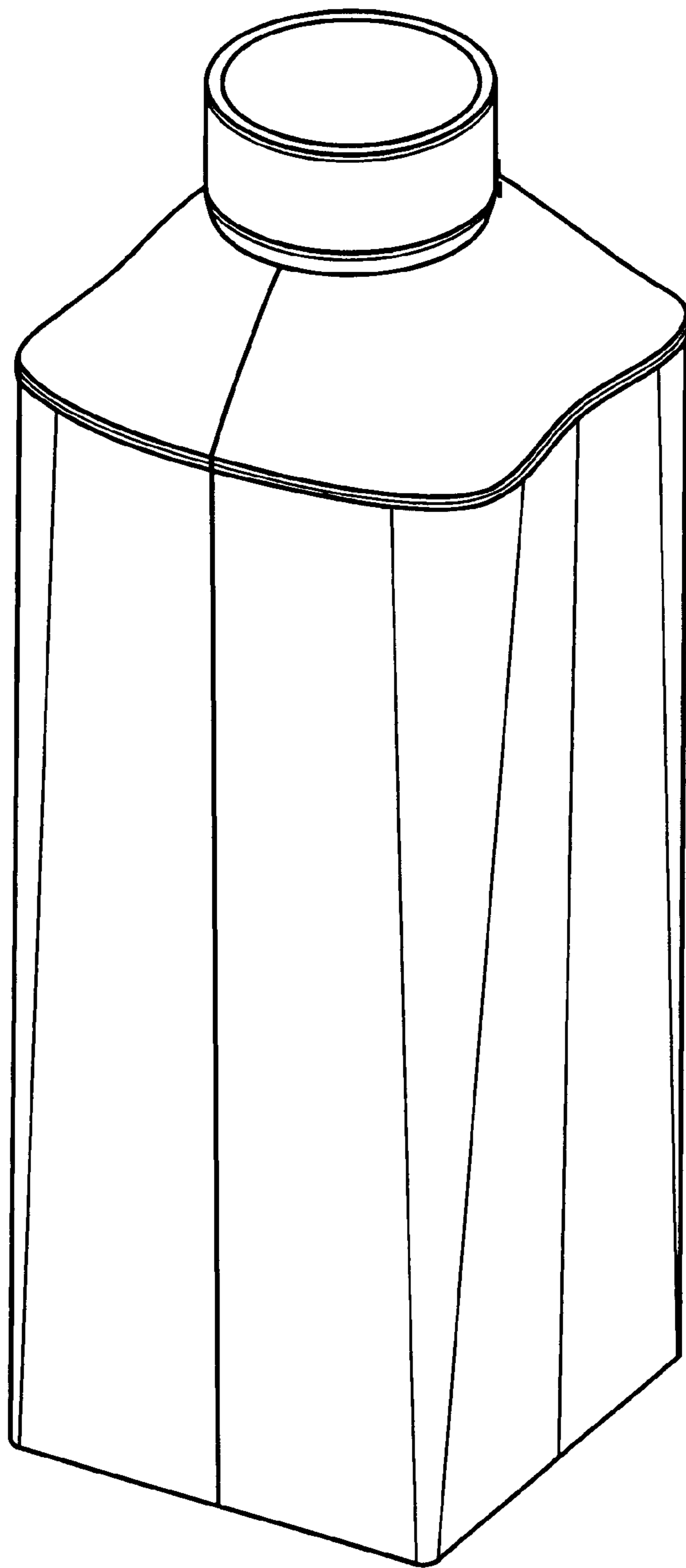


FIG. 1

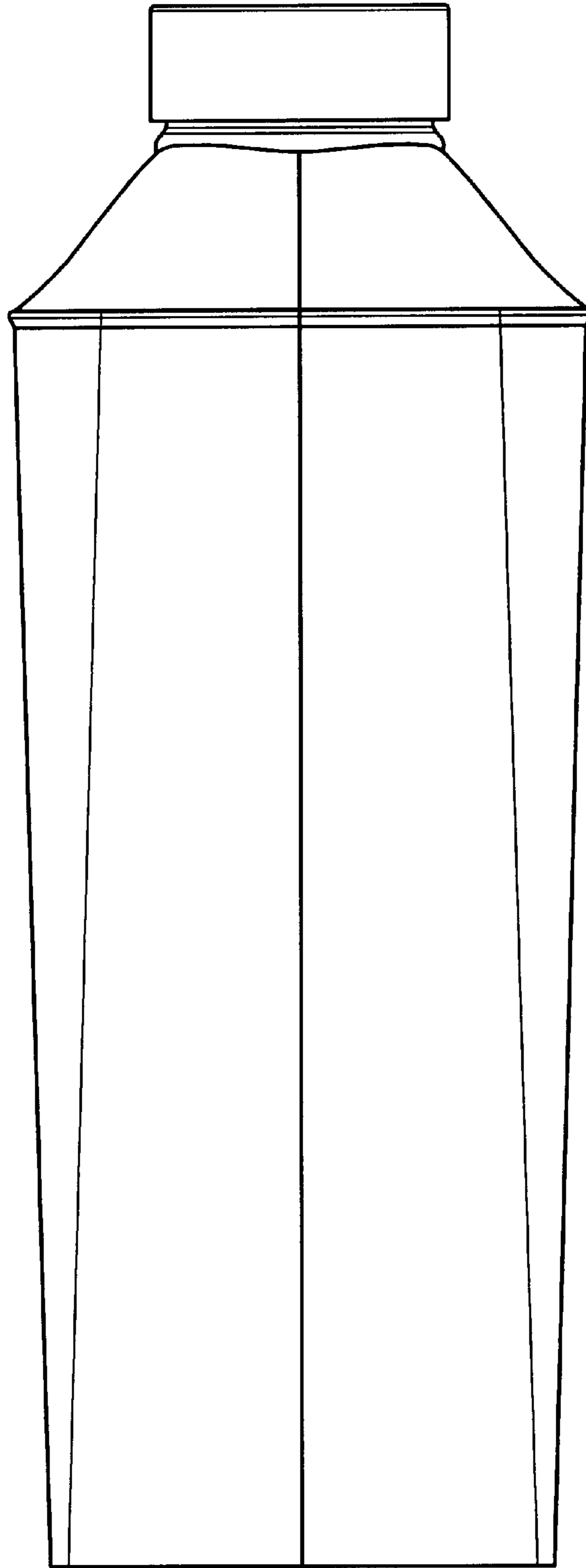


FIG. 2

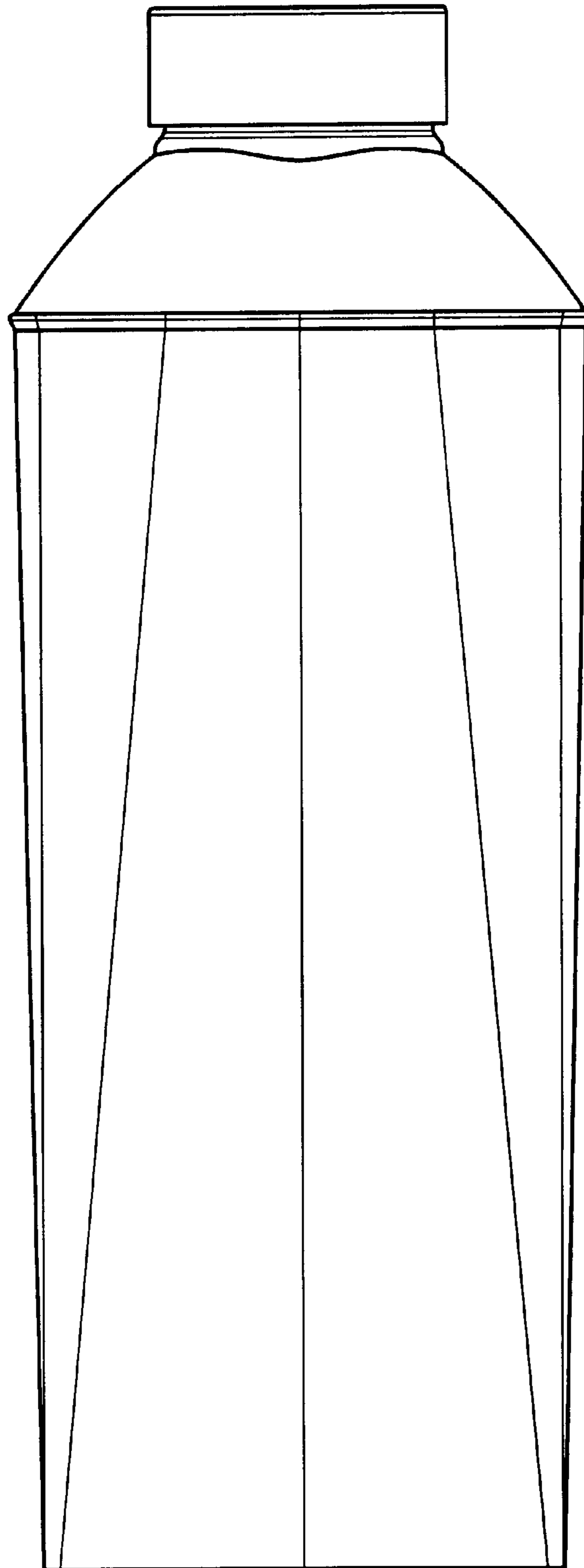


FIG. 3

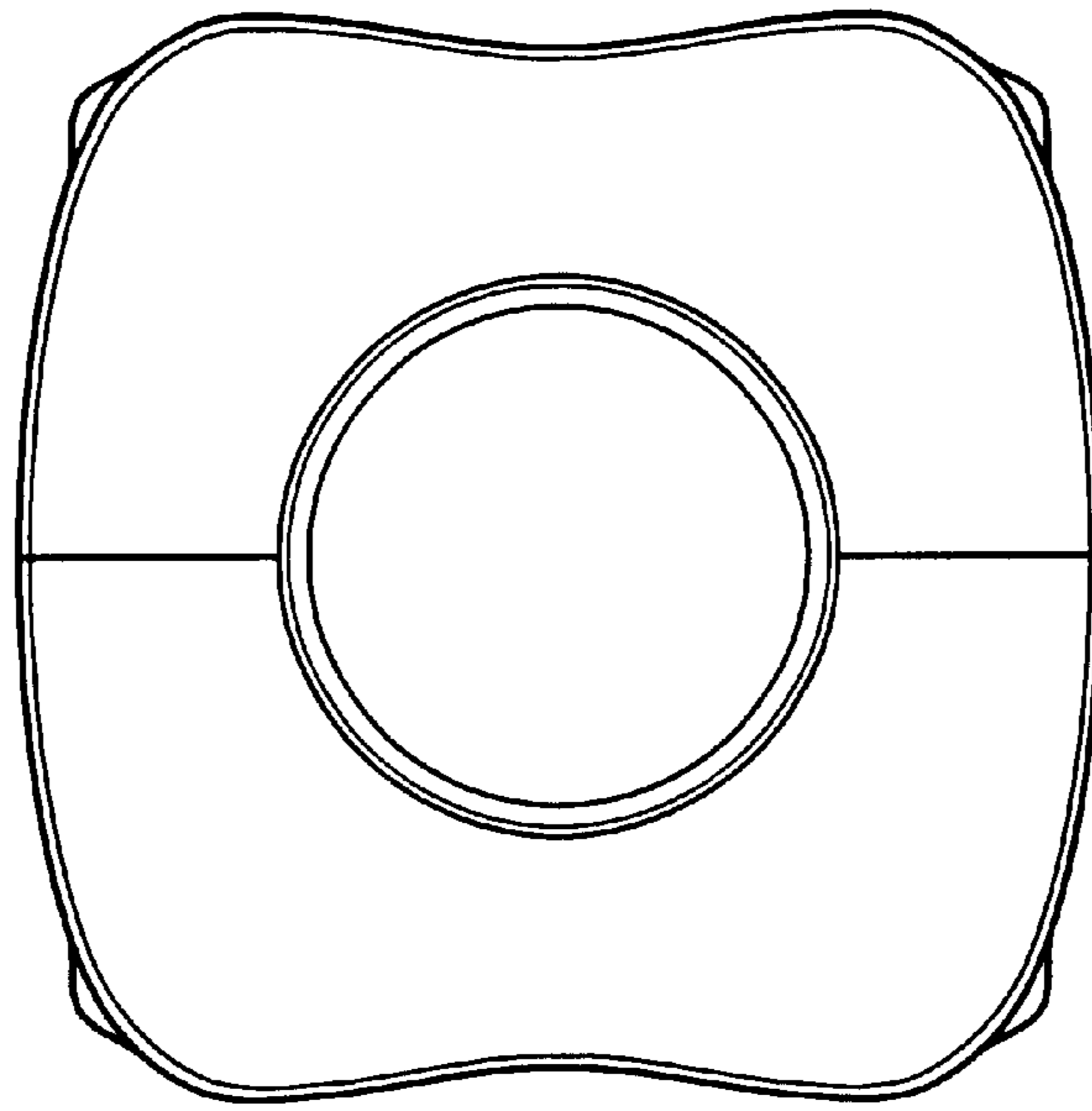


FIG. 4

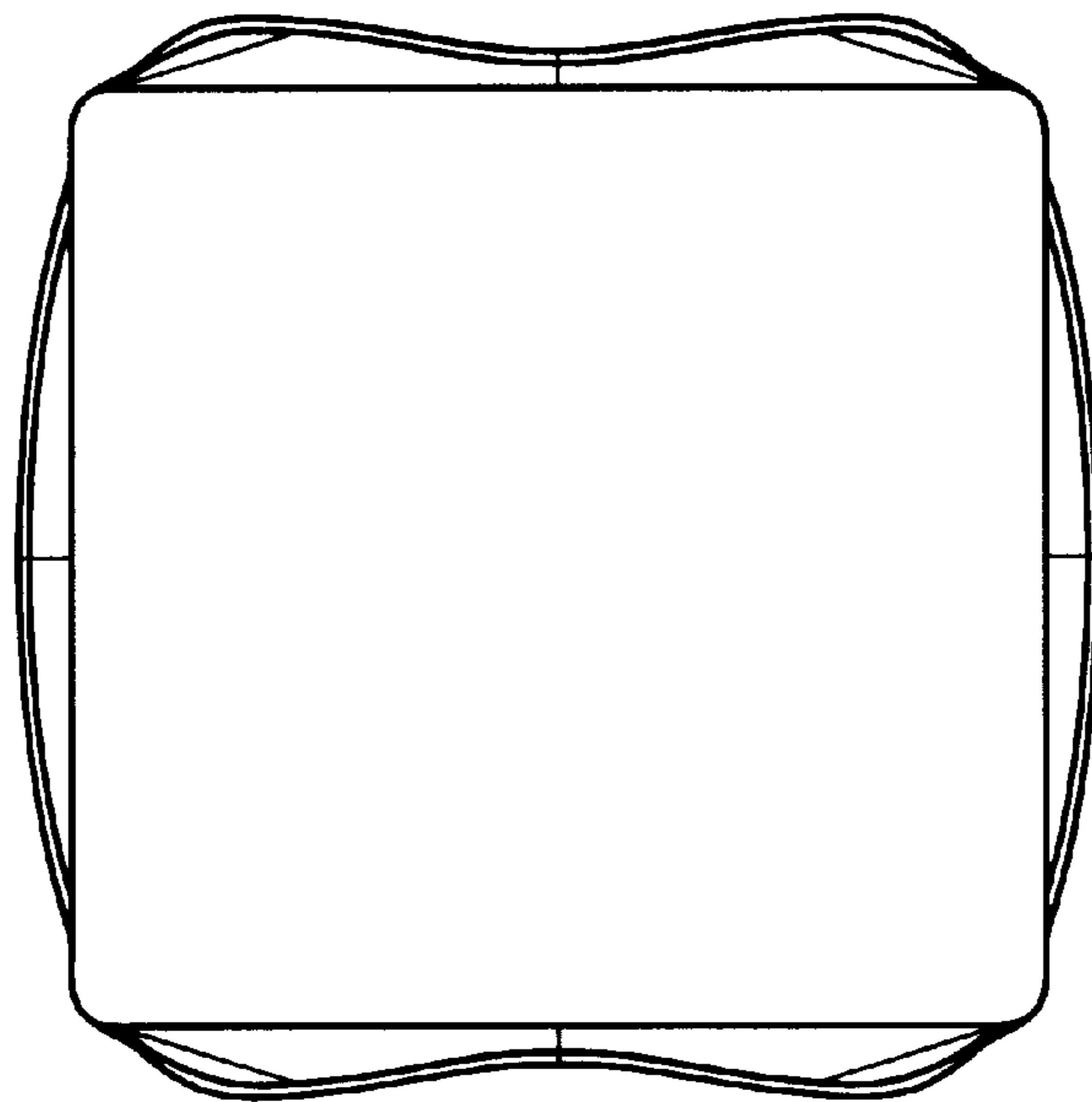


FIG. 5

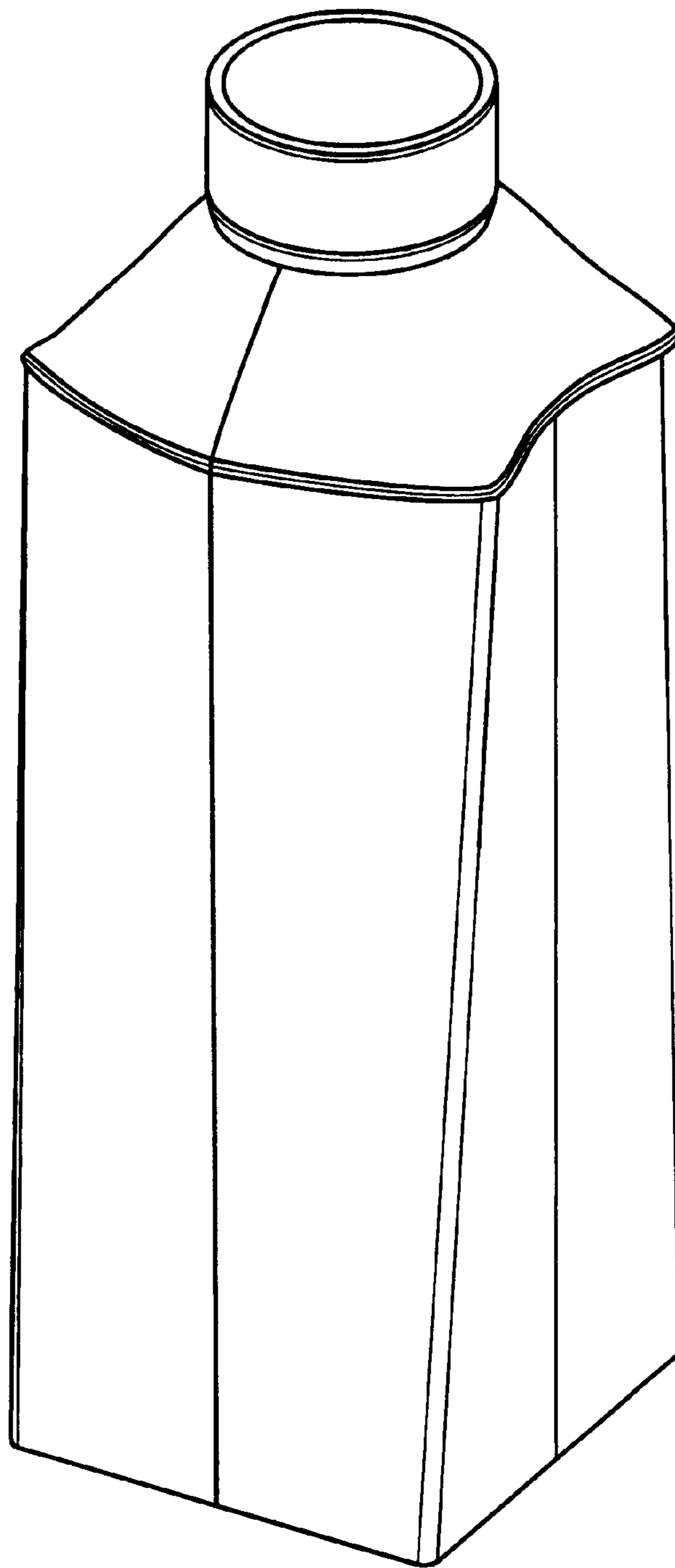


FIG. 6

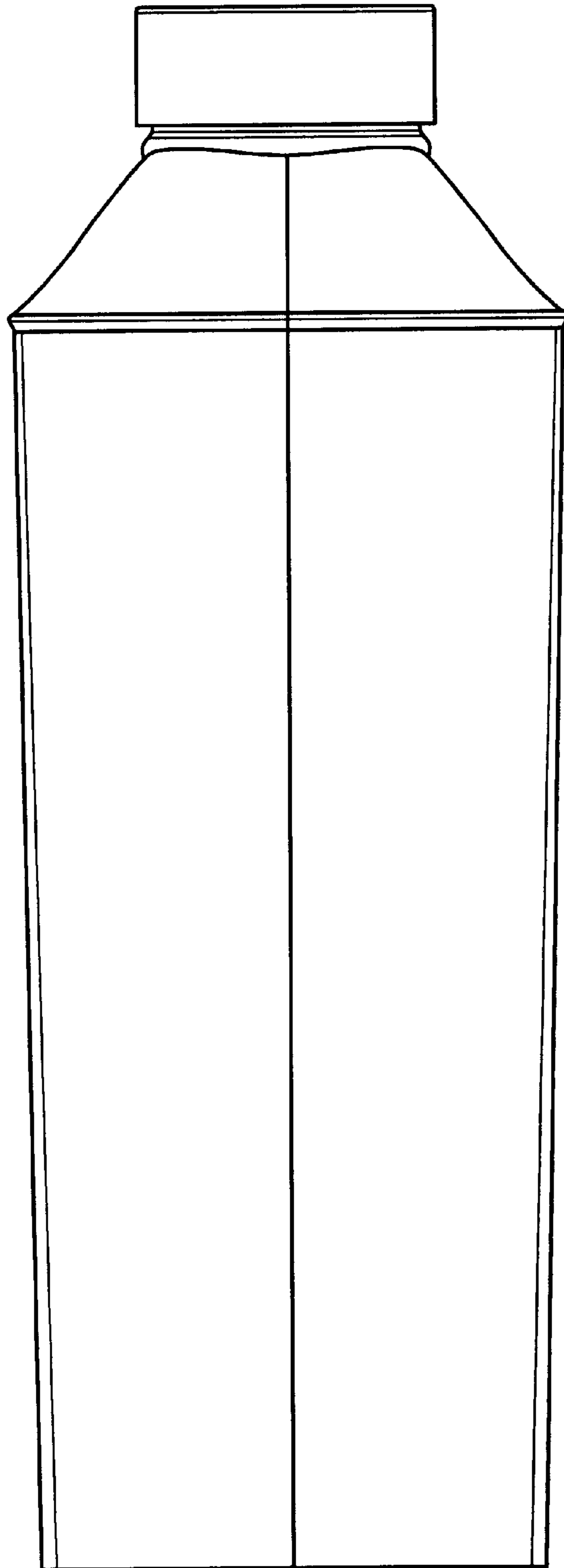


FIG. 7

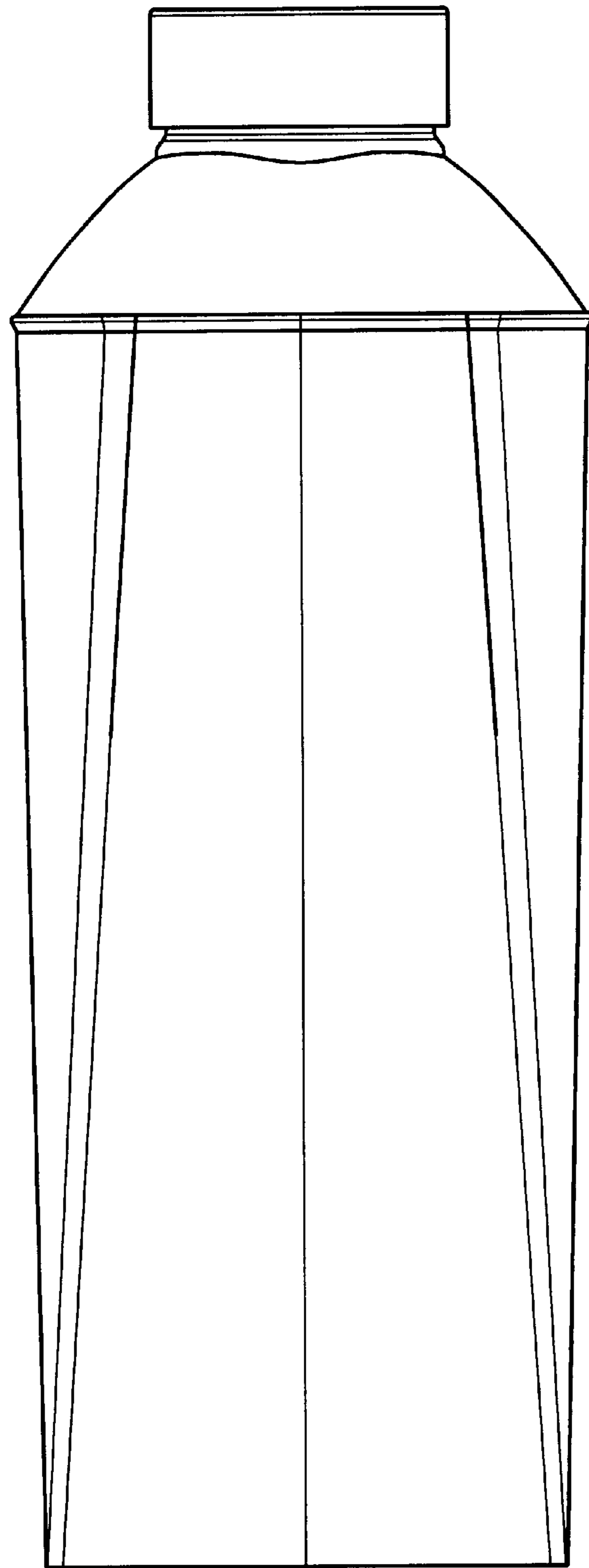


FIG. 8

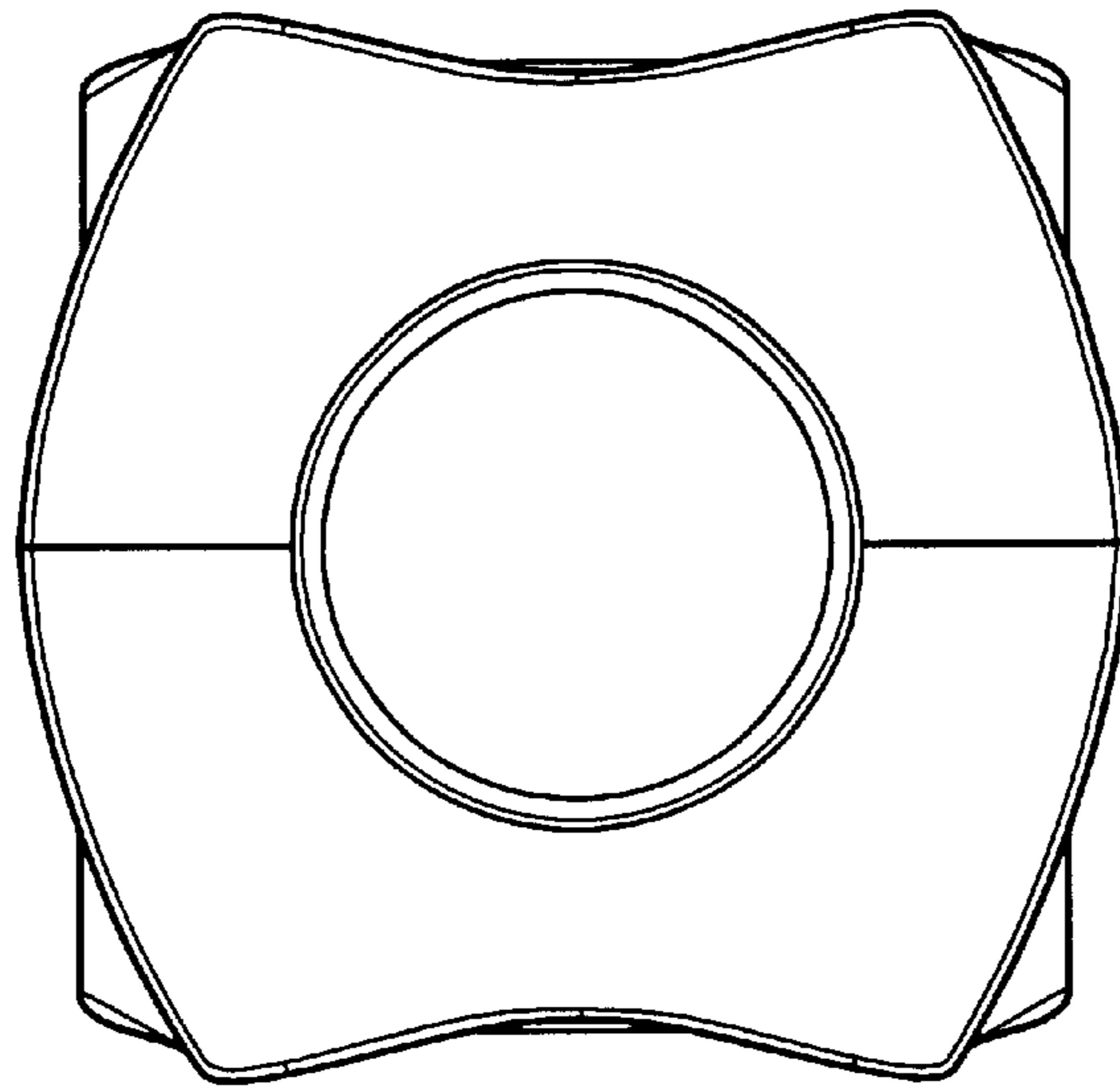


FIG. 9

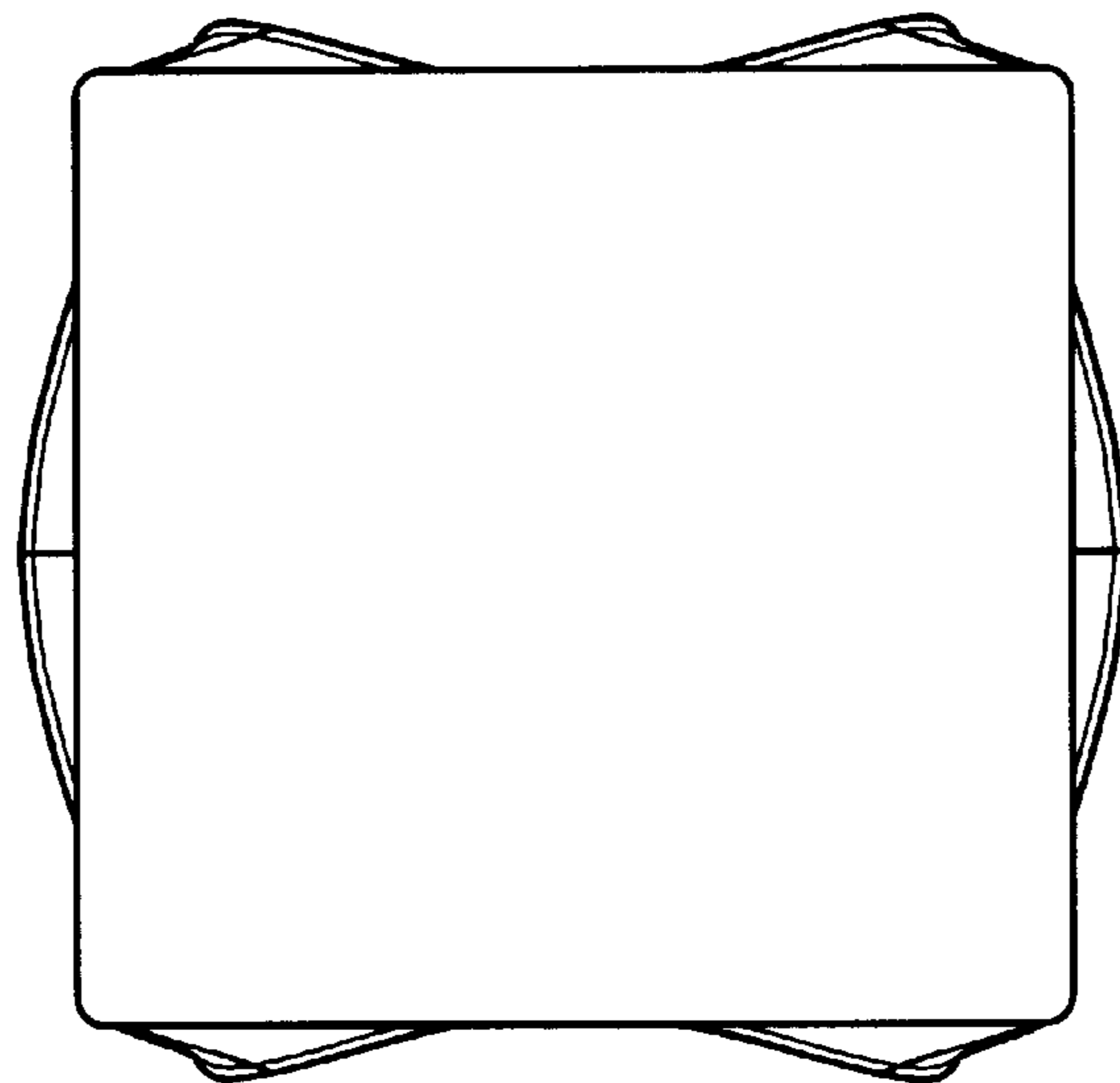


FIG. 10