



US00D534061S

(12) **United States Design Patent**  
**Sakai**

(10) **Patent No.:** **US D534,061 S**

(45) **Date of Patent:** **\*\* Dec. 26, 2006**

(54) **HOLDER FOR ELECTRONIC CAMERAS**

(75) Inventor: **Masayuki Sakai**, Tokyo (JP)

(73) Assignee: **Fuji Photo Film Co., Ltd.**, Kanagawa (JP)

(\*\*) Term: **14 Years**

(21) Appl. No.: **29/212,008**

(22) Filed: **Aug. 26, 2004**

(30) **Foreign Application Priority Data**

Apr. 6, 2004 (JP) ..... 2004-010576

(51) **LOC (8) Cl.** ..... **08-05**

(52) **U.S. Cl.** ..... **D8/373; D8/388**

(58) **Field of Classification Search** ..... D8/391,  
D8/388, 363, 373; D19/65; D16/242; 411/473,  
411/401

See application file for complete search history.

(56) **References Cited**

**U.S. PATENT DOCUMENTS**

1,991,561	A	*	2/1935	Krantz	.....	411/473
D149,099	S	*	3/1948	Sweet	.....	D8/391
3,009,382	A	*	11/1961	Salka	.....	411/473
D233,018	S	*	10/1974	Strayer	.....	D8/391
4,897,007	A	*	1/1990	Chen et al.	.....	411/401

\* cited by examiner

*Primary Examiner*—Holly H. Baynham

(74) *Attorney, Agent, or Firm*—Young & Thompson

(57) **CLAIM**

The ornamental design for a holder for electronic cameras, as shown and described.

**DESCRIPTION**

FIG. 1 is a front and side perspective view of a holder for electronic cameras, showing my new design;

FIG. 2 is a front elevational view thereof;

FIG. 3 is a rear elevational view thereof;

FIG. 4 is a view thereof from the top of FIG. 2;

FIG. 5 is a view thereof from the left of FIG. 2, the view from the right of FIG. 2 being the mirror image thereof;

FIG. 6 is a front and side perspective view of a retainer for the holder of FIGS. 1–5;

FIG. 7 is a front elevational view of the retainer of FIG. 6;

FIG. 8 is a rear elevational view of the retainer of FIG. 6;

FIG. 9 is a view of the retainer of FIG. 6 from the top of FIG. 7;

FIG. 10 is a view of the retainer of FIG. 6 from the left of FIG. 7; and,

FIG. 11 is side elevational view of the holder and retainer assembled, wherein the broken line showing is for illustrative purposes only and forms no part of the claimed design.

Apart from FIG. 11, the holder and retainer are shown separately for ease and clarity of illustration.

The retainer of FIGS. 6–10 is a figure of revolution and so the sides not shown are identical to the sides shown.

The retainer of FIGS. 6–10 is adapted to receive the sharpened pin of the holder of FIGS. 1–5 with fabric or the like

pierced by the pin so that an electronic camera can be hung from the fabric by a strap received in the circular recess

shown for example in FIG. 5.

**1 Claim, 6 Drawing Sheets**

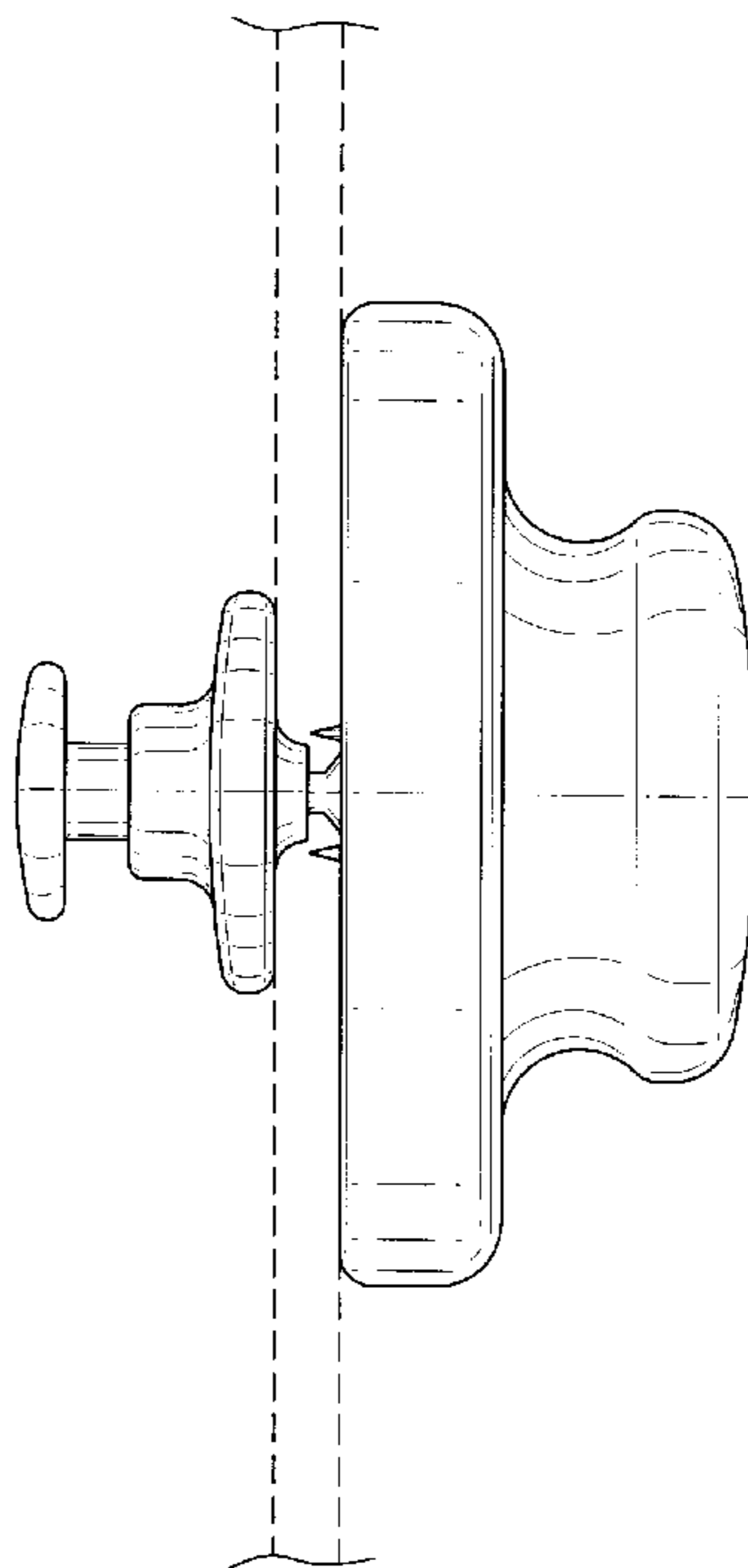


FIG. 1

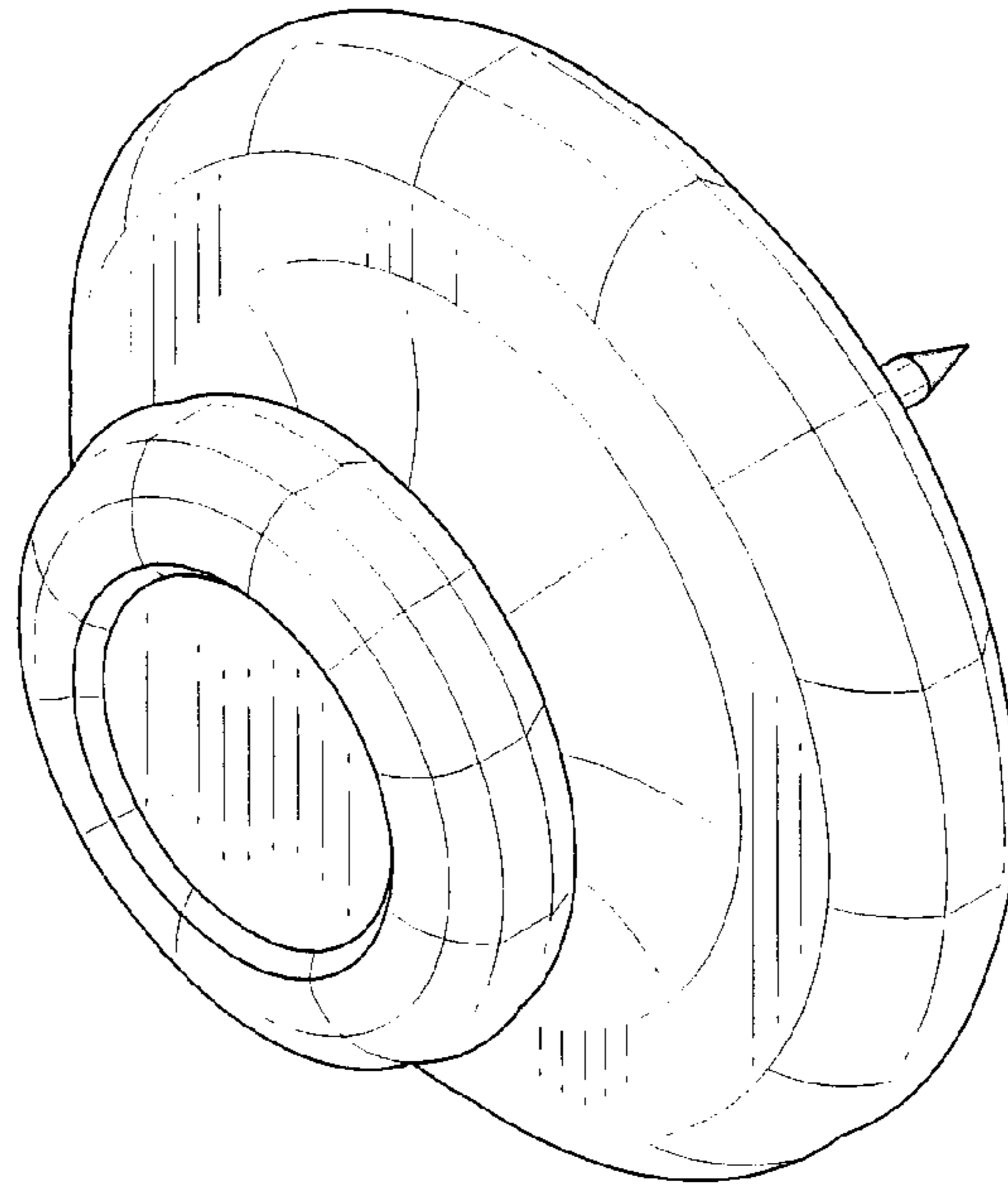


FIG. 2

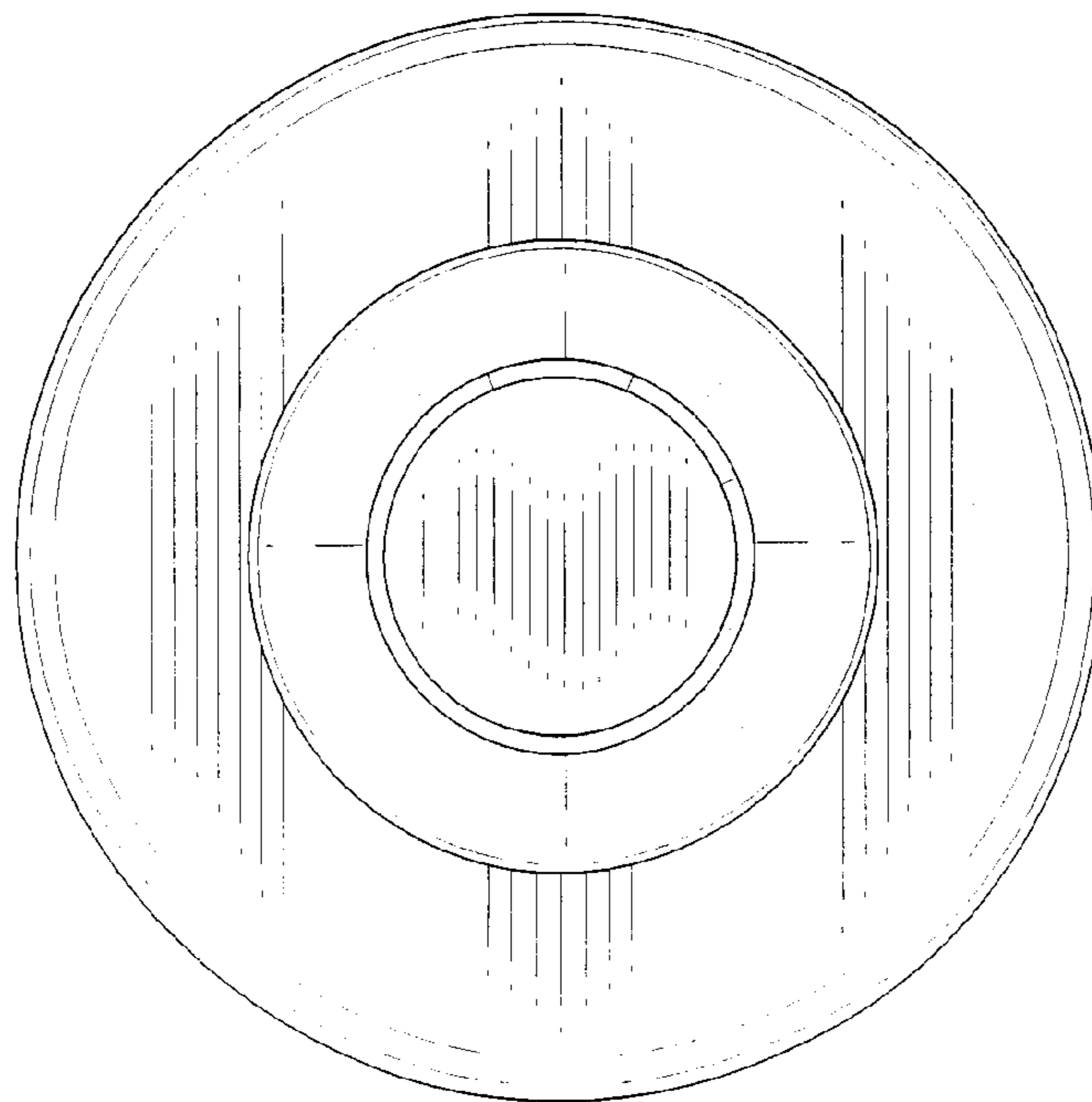


FIG.3

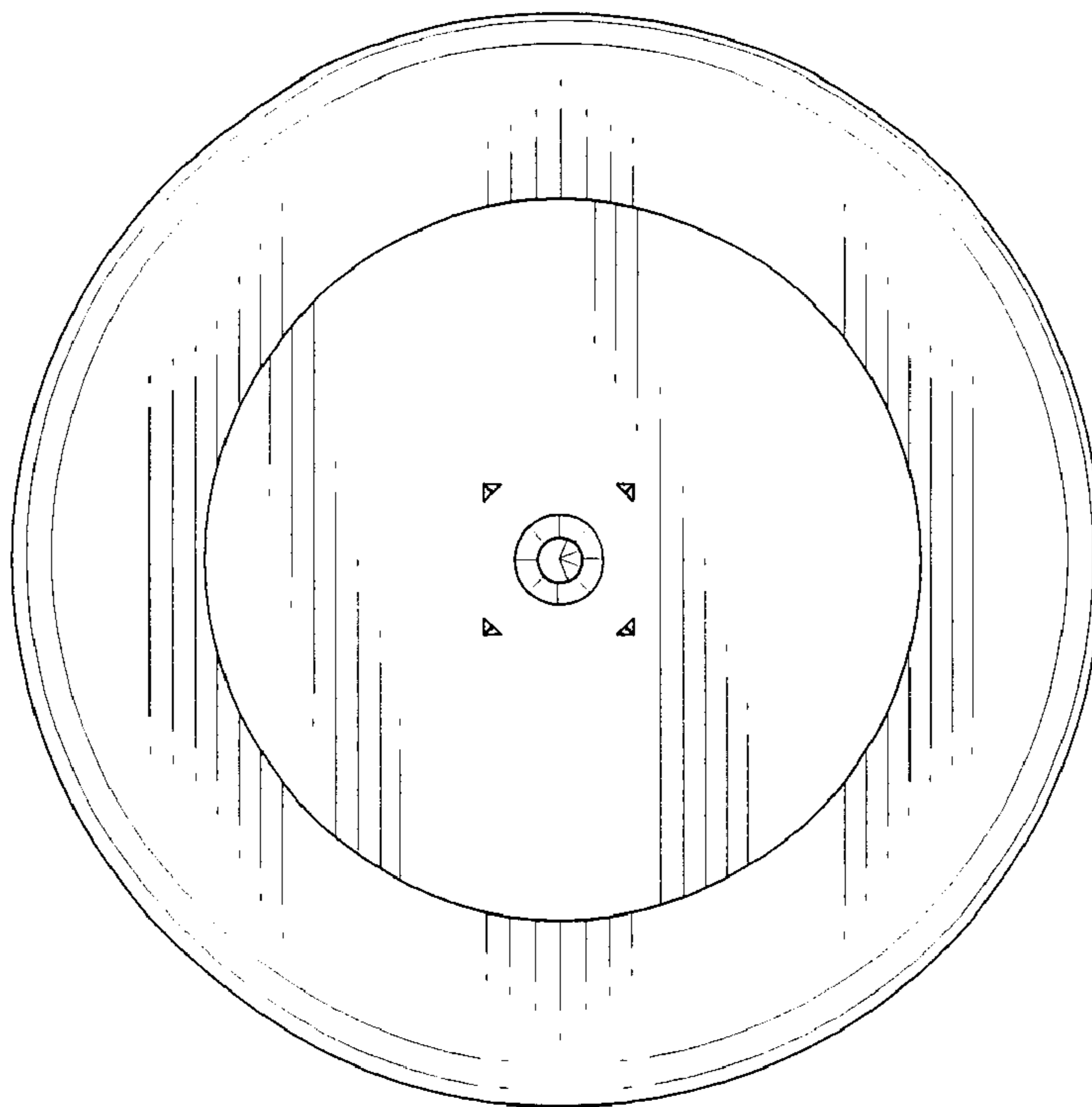


FIG.4

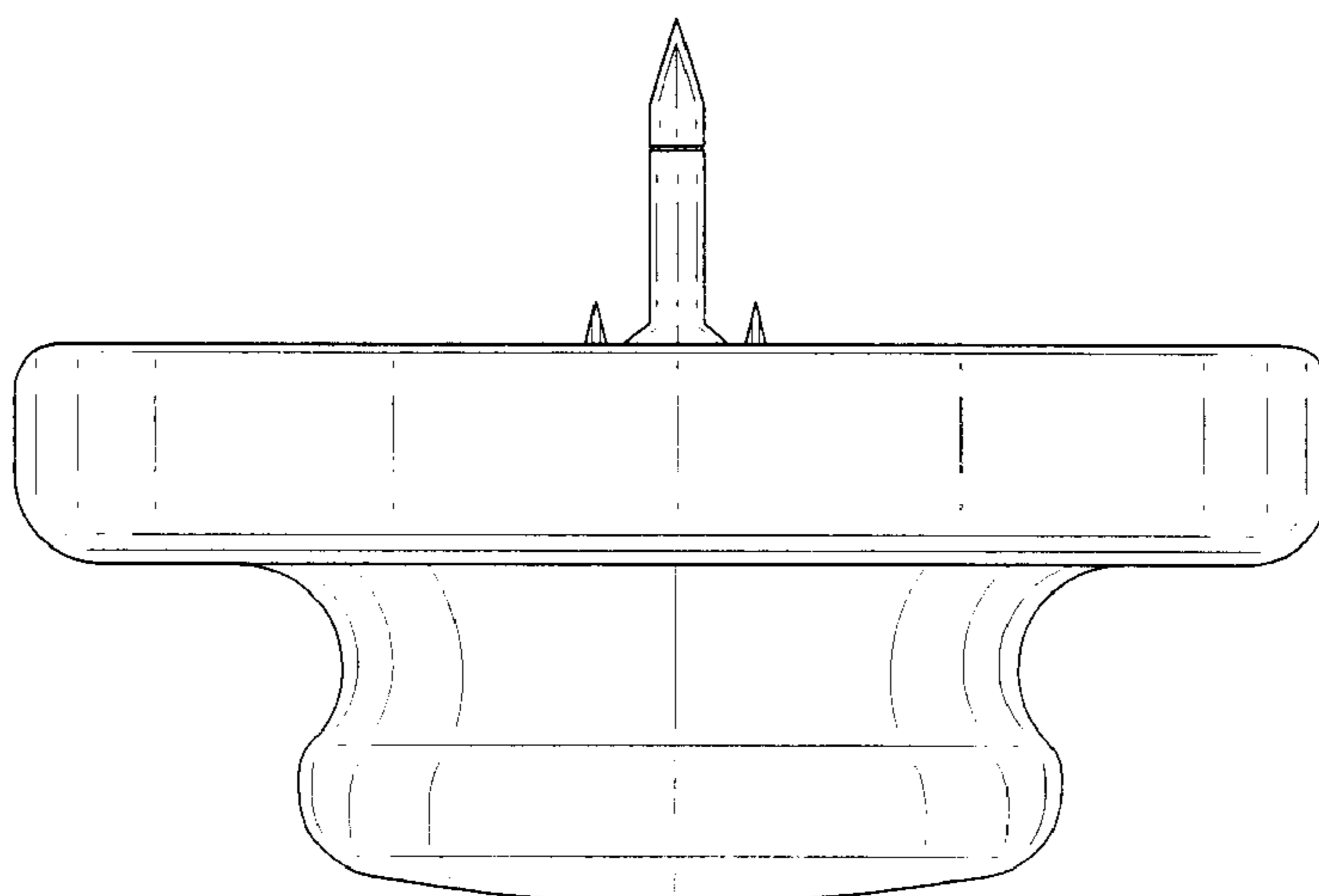


FIG. 5

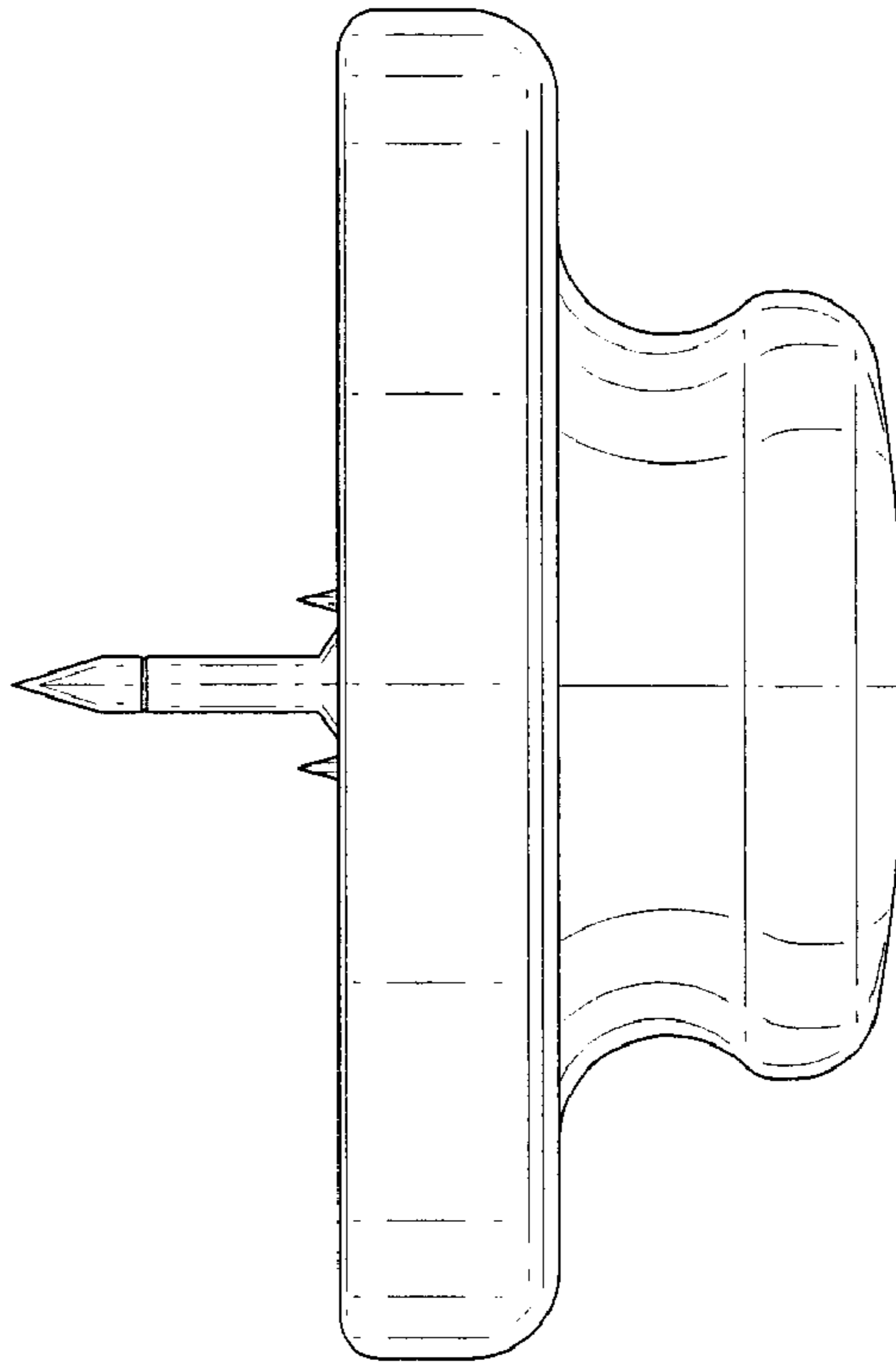
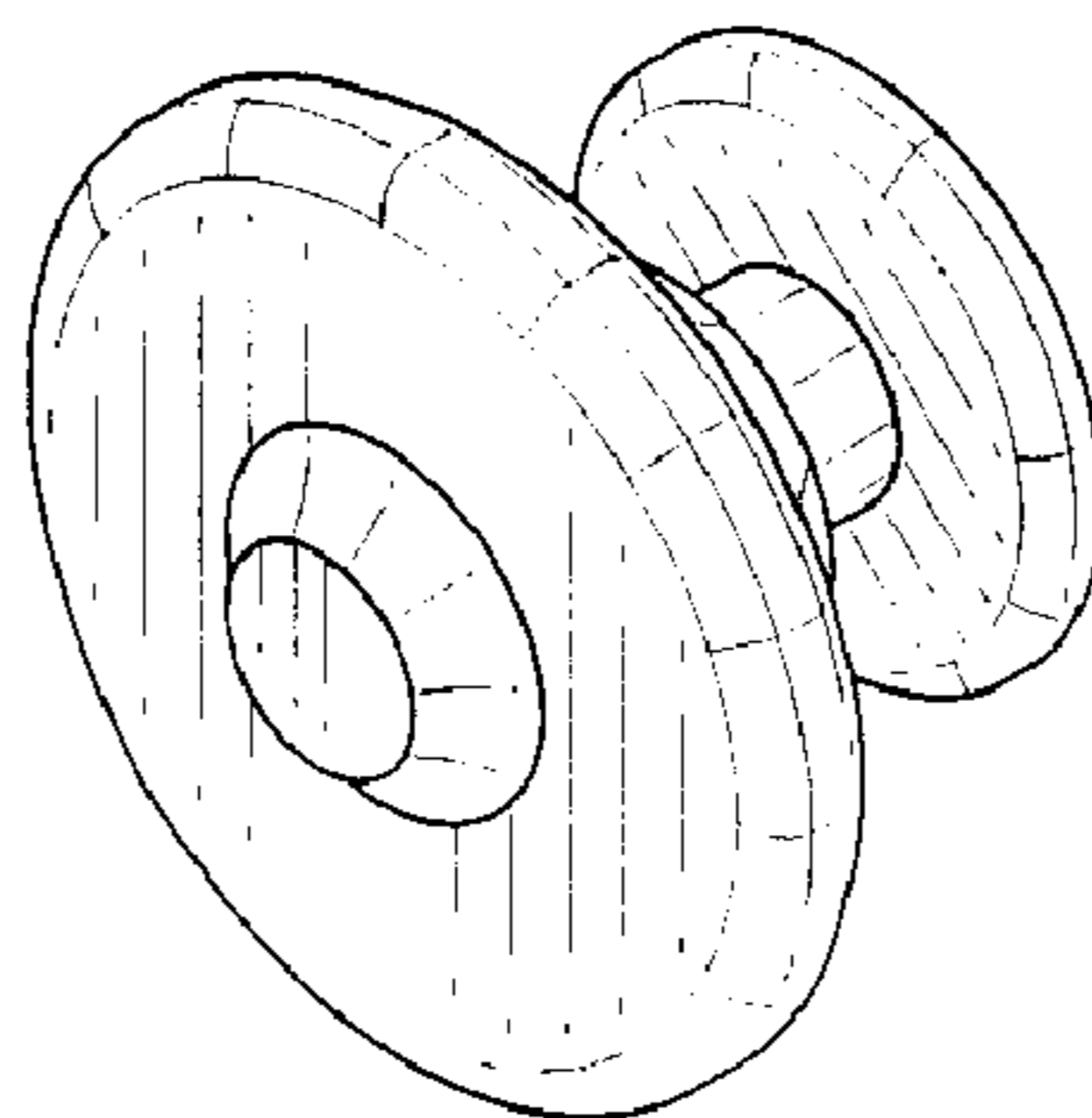
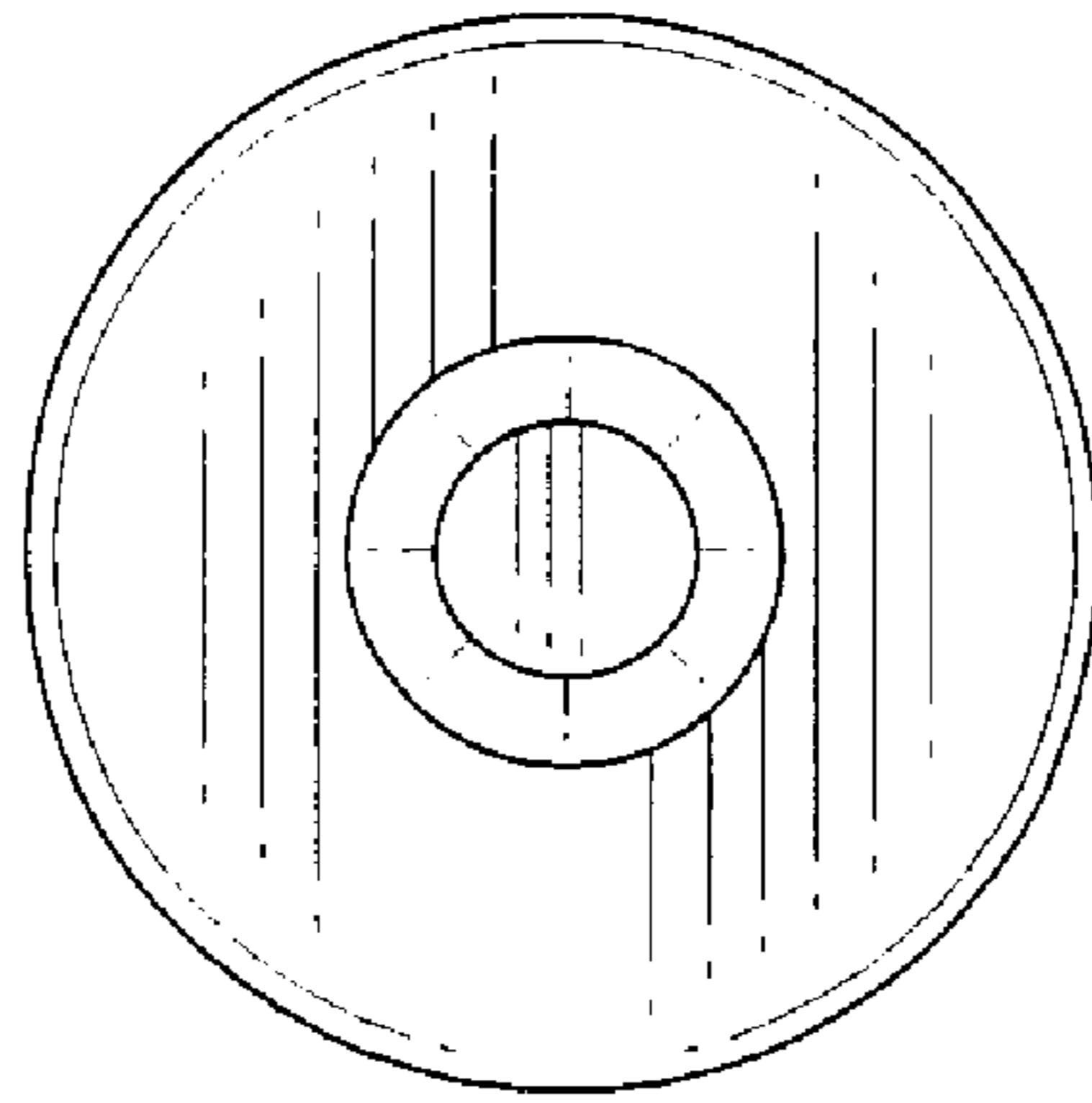


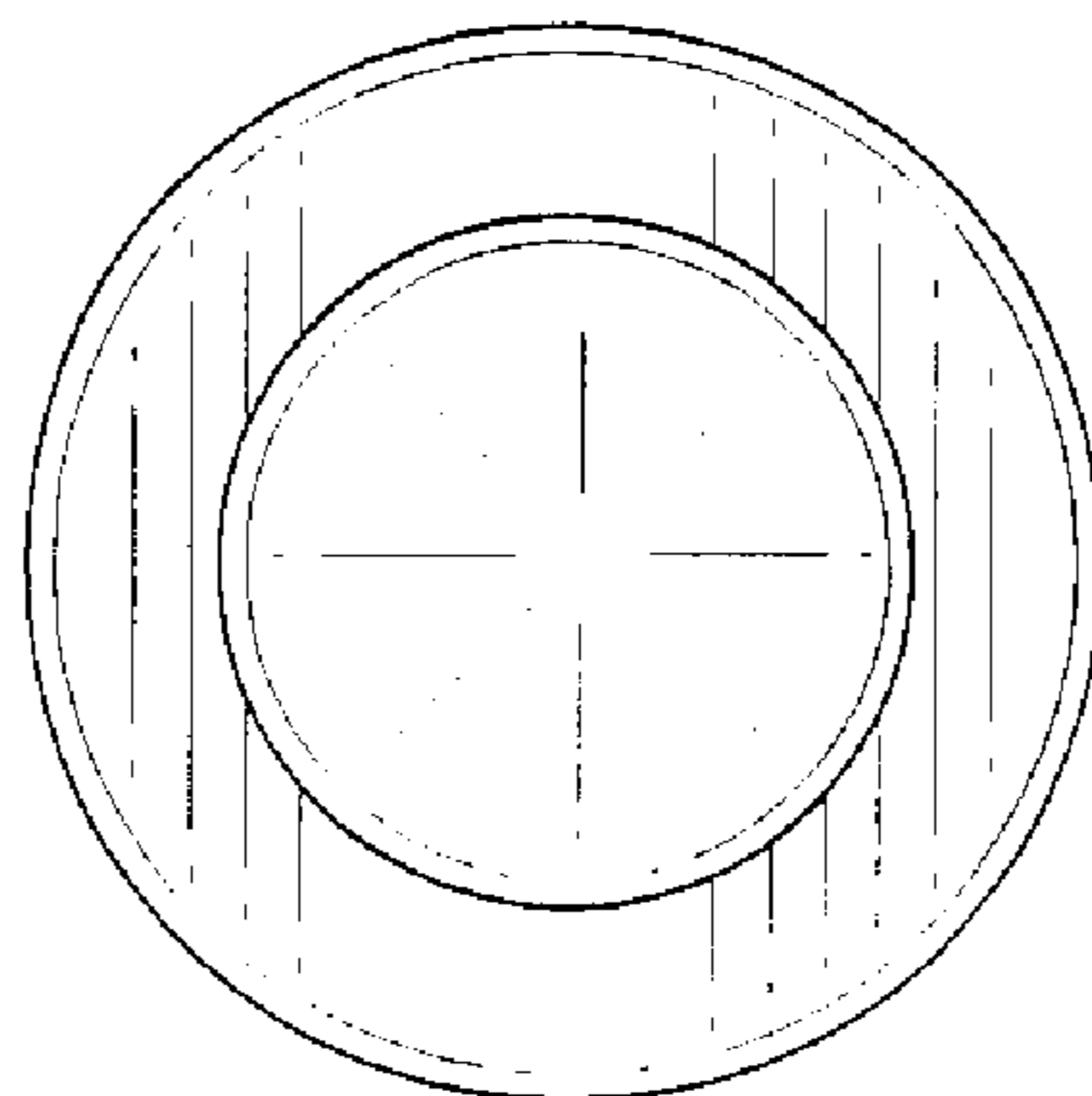
FIG. 6



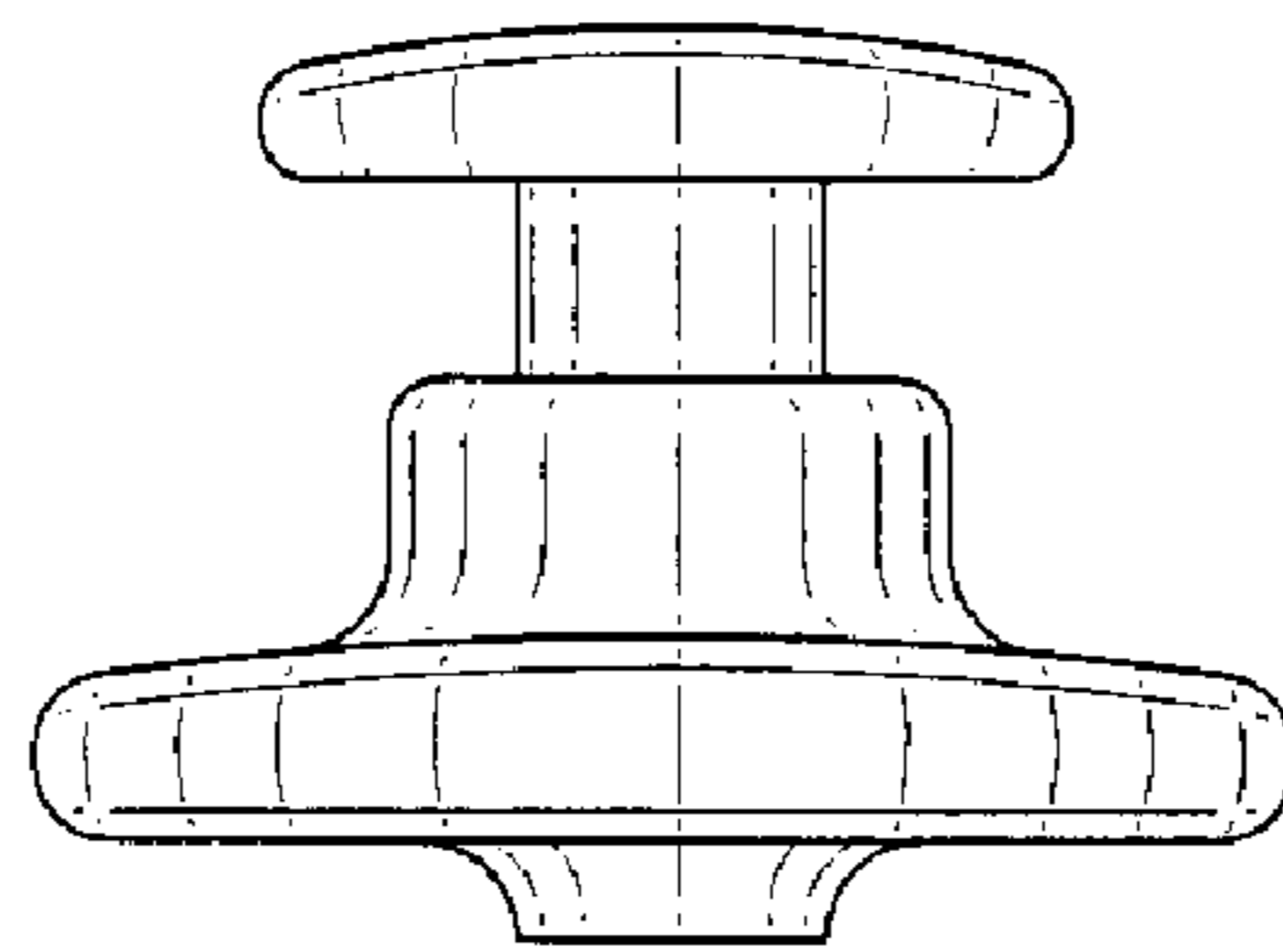
**FIG. 7**



**FIG. 8**



**FIG. 9**



**FIG. 10**

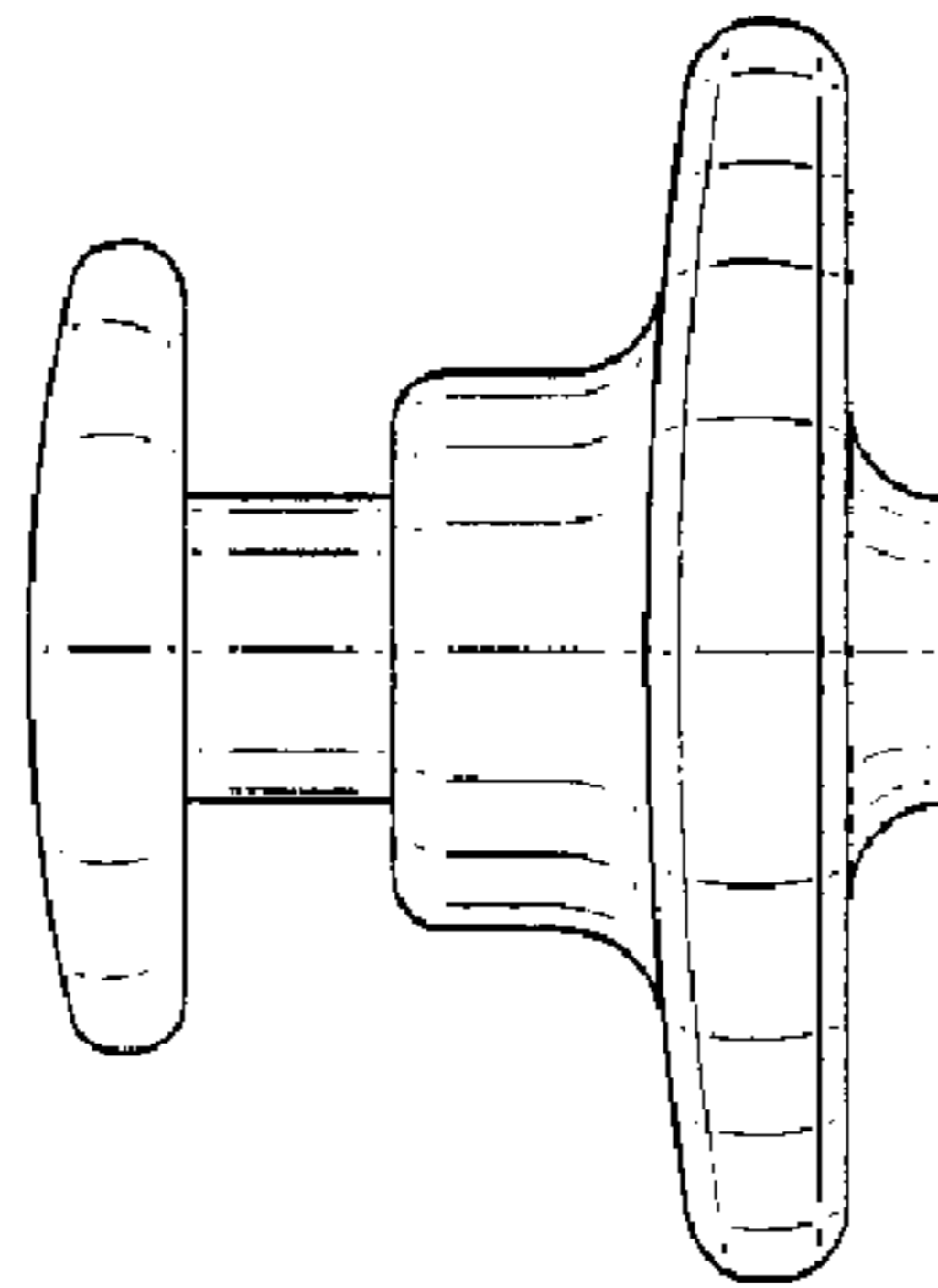


FIG. 11

