



US00D534059S

(12) **United States Design Patent**  
**Goldenberg et al.**

(10) **Patent No.:** **US D534,059 S**

(45) **Date of Patent:** **\*\* Dec. 26, 2006**

(54) **BRACKET FOR A ROLL SCREEN**

(75) Inventors: **Shaul Goldenberg**, Vaughan (CA);  
**Sean Davies**, Vaughan (CA);  
**Sinnathamby Kupenthirarajan**,  
Vaughan (CA)

(73) Assignee: **420820 Ontario Limited**, Vaughan  
(CA)

(\*\*) Term: **14 Years**

(21) Appl. No.: **29/199,123**

(22) Filed: **Feb. 11, 2004**

**Related U.S. Application Data**

(63) Continuation-in-part of application No. 10/115,084, filed on  
Apr. 4, 2002, now Pat. No. 6,701,994.

(30) **Foreign Application Priority Data**

Nov. 27, 2003 (CA) ..... 105035

(51) **LOC (8) Cl.** ..... **08-05**

(52) **U.S. Cl.** ..... **D8/354**

(58) **Field of Classification Search** ..... D8/349,  
D8/354, 363, 373, 380; 160/31; 248/300  
See application file for complete search history.

(56) **References Cited**

**U.S. PATENT DOCUMENTS**

D367,811 S \* 3/1996 Leblhuber ..... D8/354  
D406,747 S \* 3/1999 Sonntag ..... D8/354  
D414,677 S \* 10/1999 Davies ..... D8/354

\* cited by examiner

*Primary Examiner*—Holly H. Baynham

(74) *Attorney, Agent, or Firm*—Neil H. Hughes; Ivor M. Hughes; Marcelo Sarkis

(57) **CLAIM**

The ornamental design for a bracket for a roll screen, as shown and described.

**DESCRIPTION**

The bracket for a roll screen is used for securing a roll screen to a window or door frame.

The drawings show two variants. Variant 2 is a mirror image of Variant 1.

FIG. 1 is a top view of the first variant embodying the design.

FIG. 2 is a bottom view of the first variant embodying the design.

FIG. 3 is a perspective view of the first variant embodying the design.

FIGS. 4, 5 and 6 are side elevational views of the first variant embodying the design.

FIG. 7 is a top view of the second variant embodying the design.

FIG. 8 is a bottom view of the second variant embodying the design.

FIG. 9 is a perspective view of the second variant embodying the design; and,

FIGS. 10, 11 and 12 are side elevational views of the second variant embodying the design.

**1 Claim, 4 Drawing Sheets**

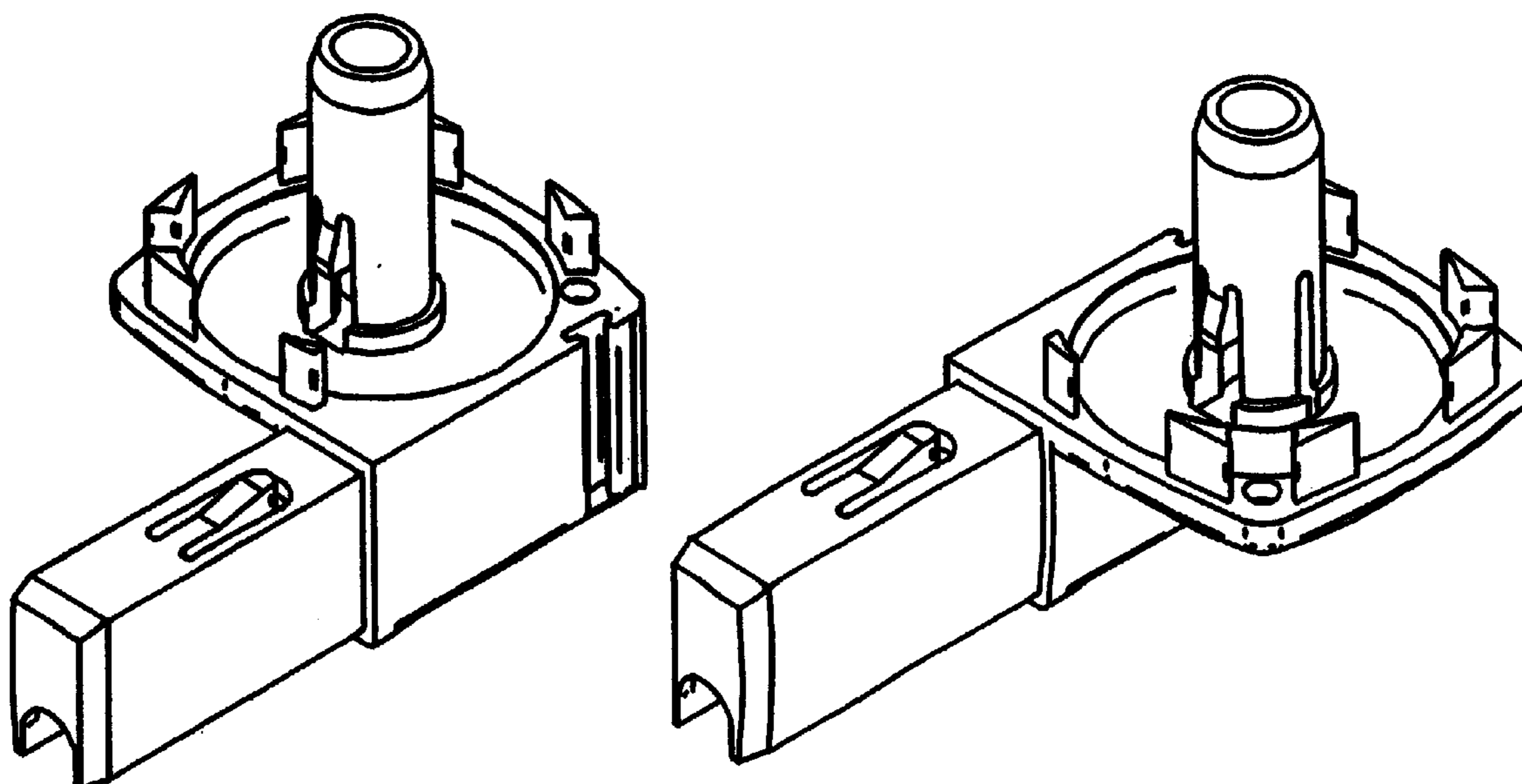


Figure 1

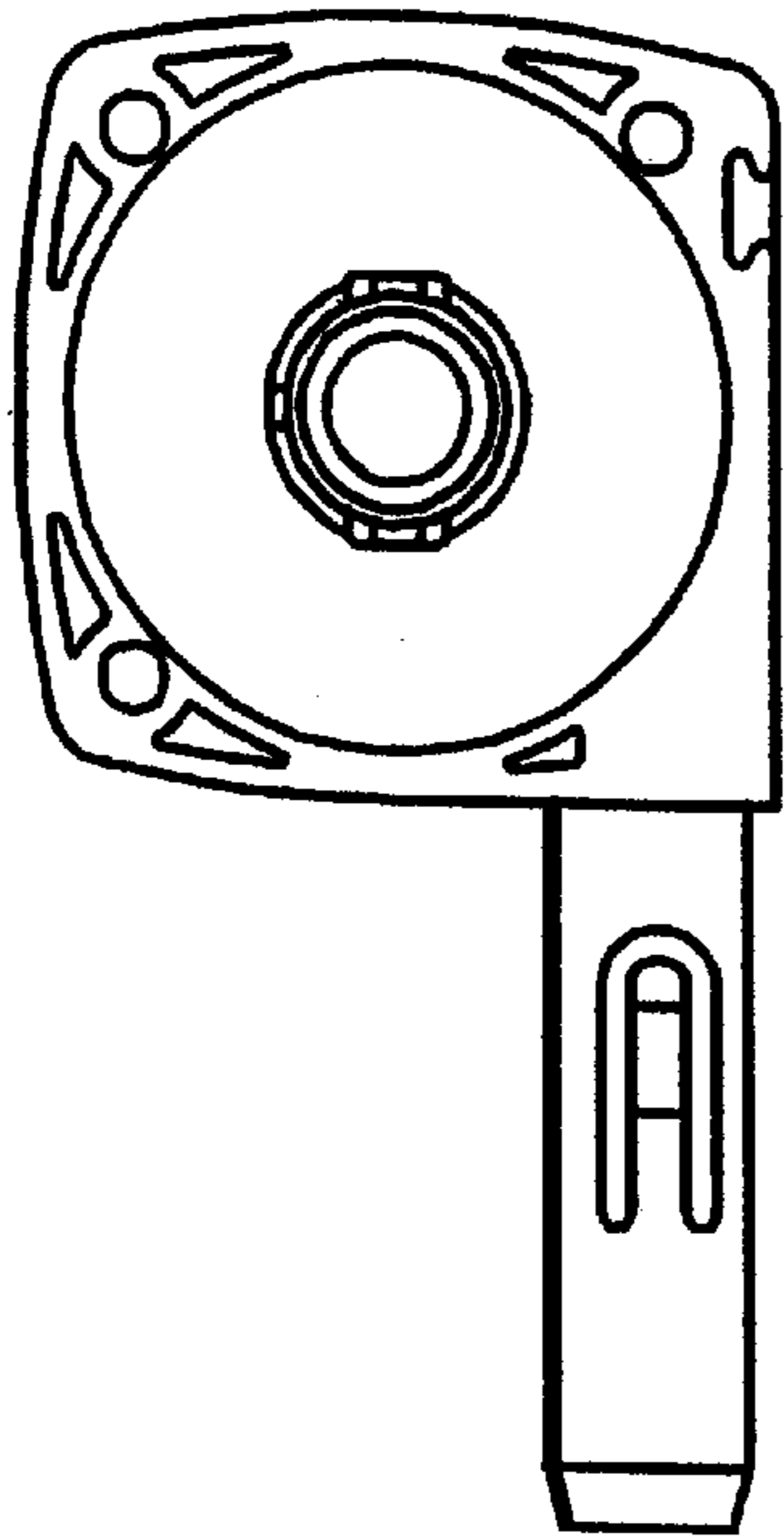


Figure 2

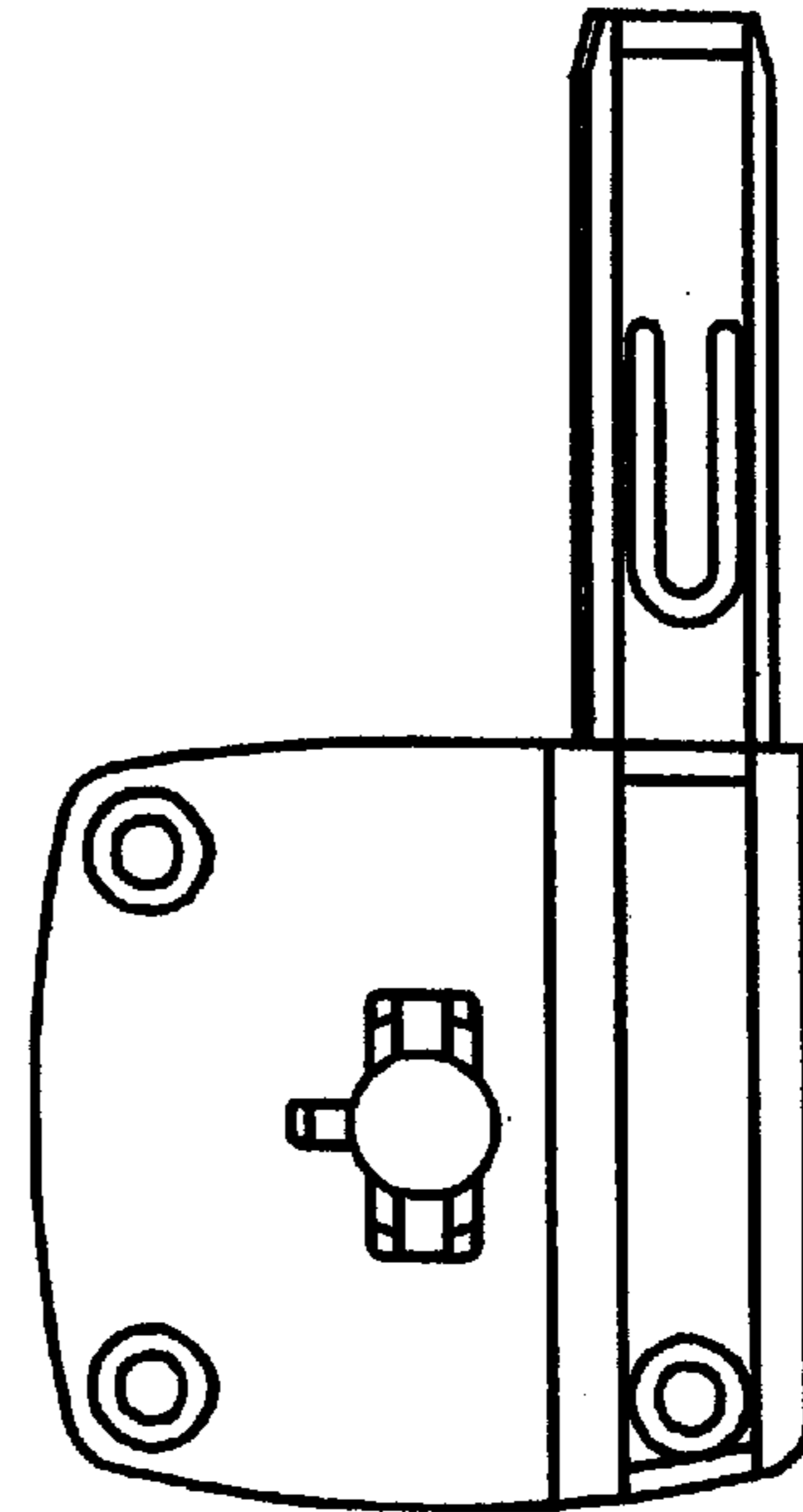


Figure 3

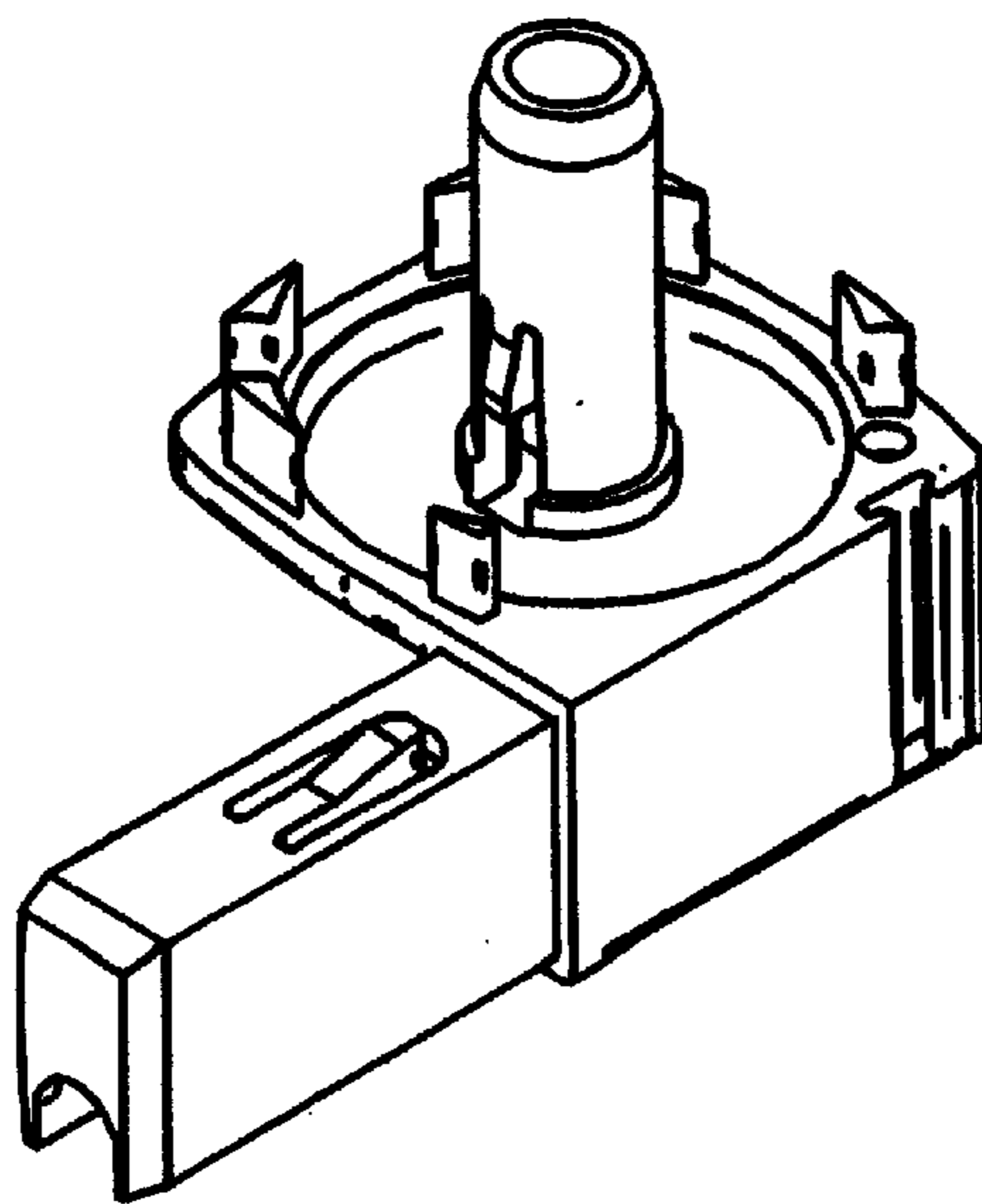


Figure 4

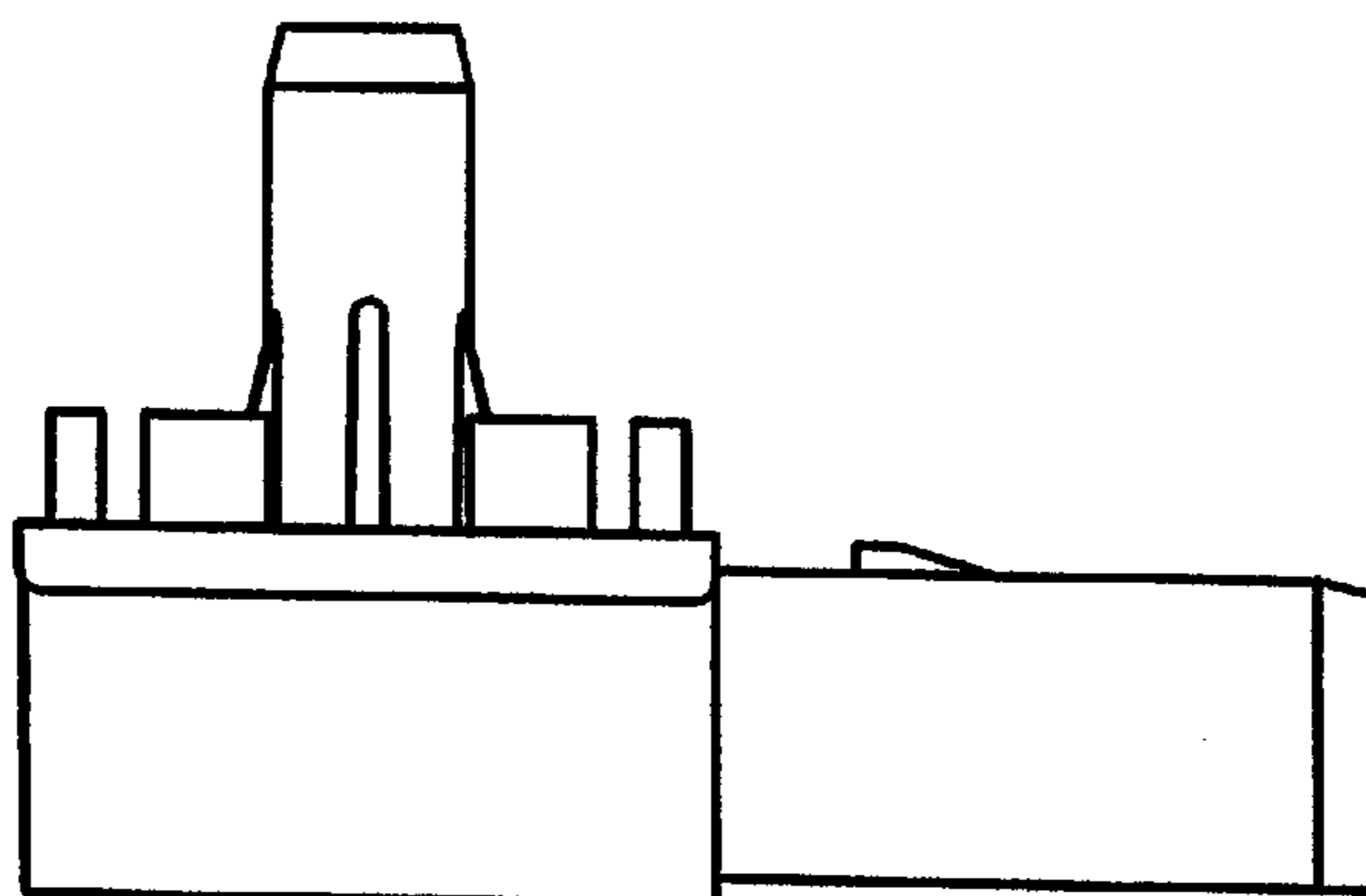


Figure 5

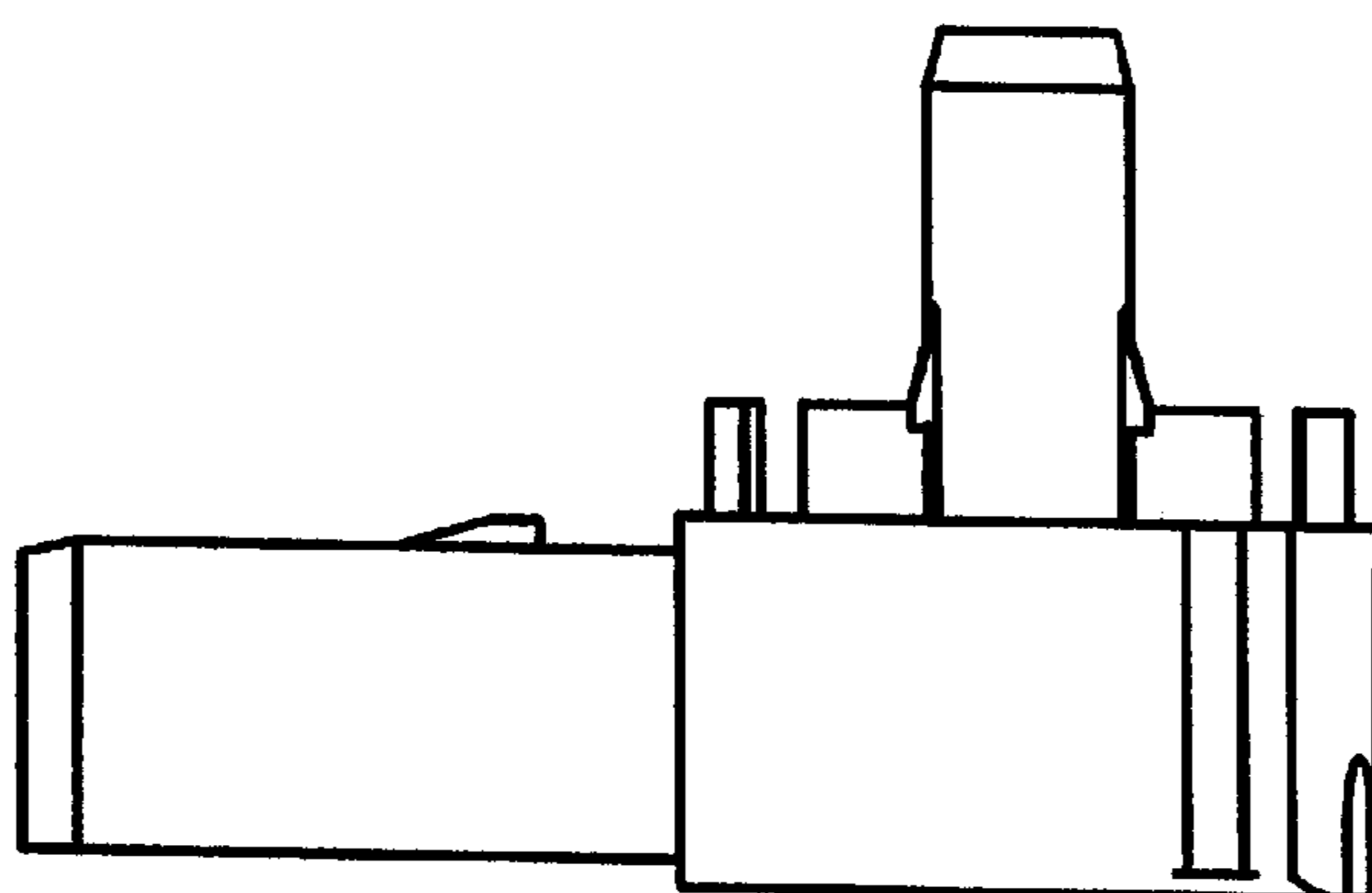


Figure 6

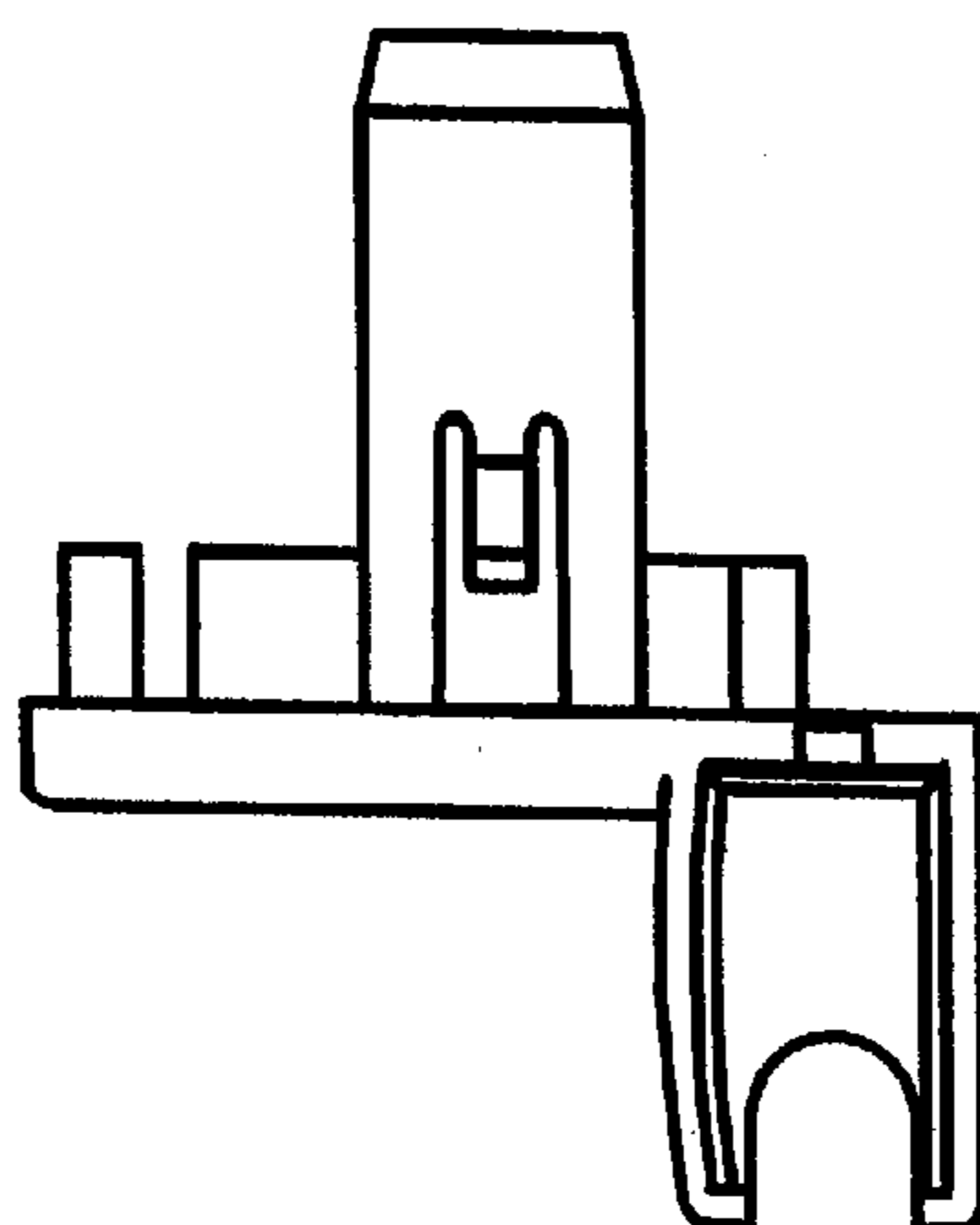


Figure 7

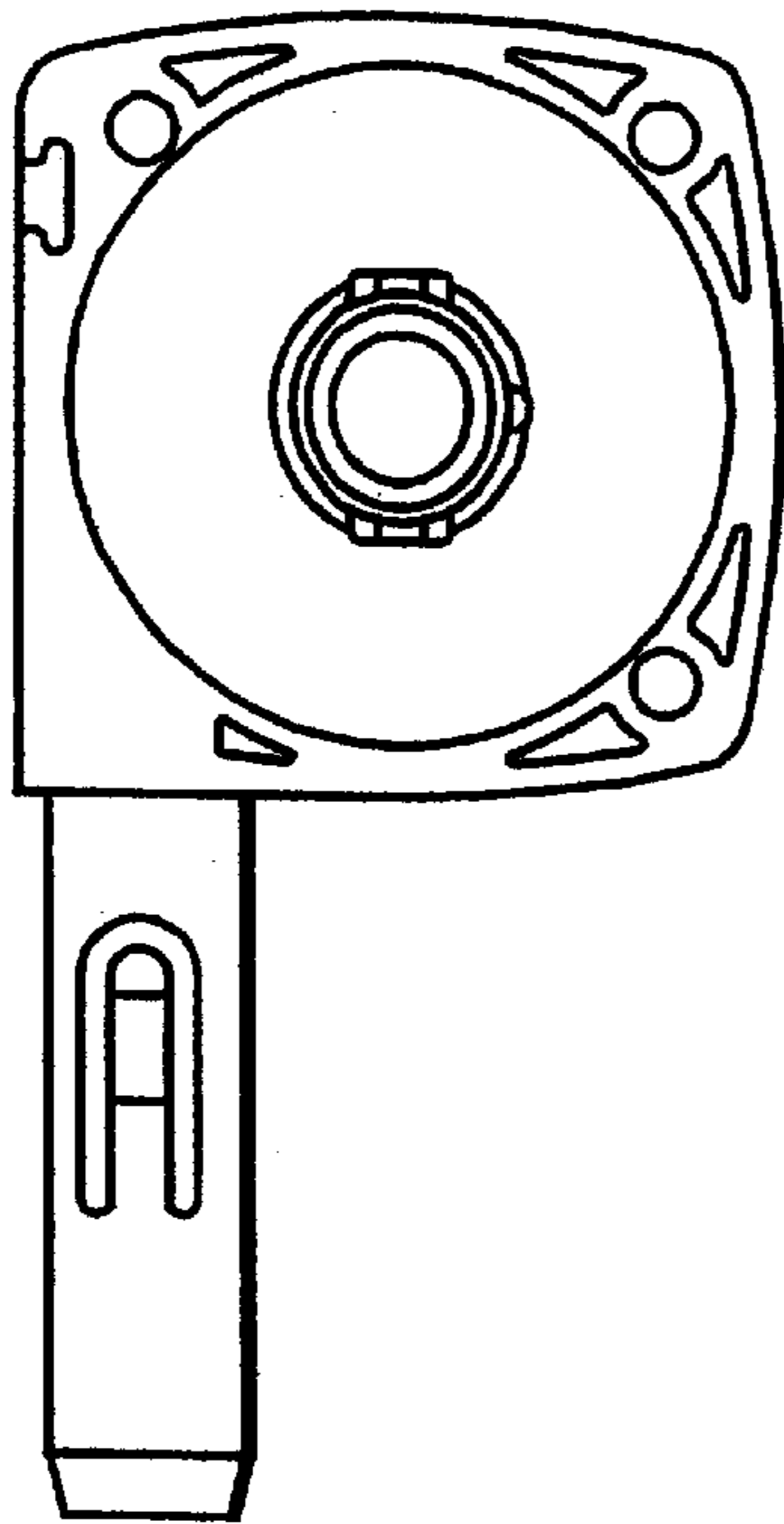


Figure 8

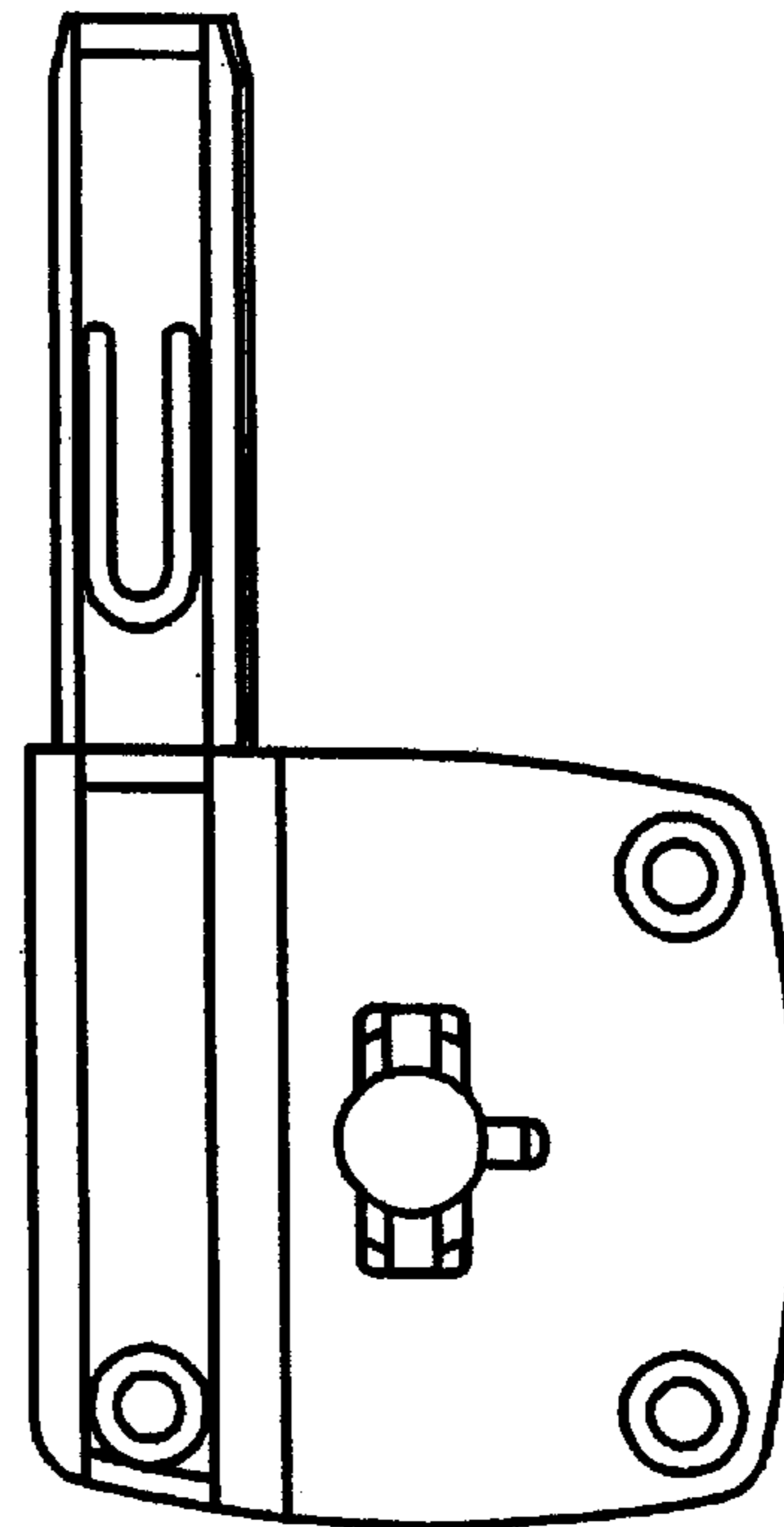


Figure 9

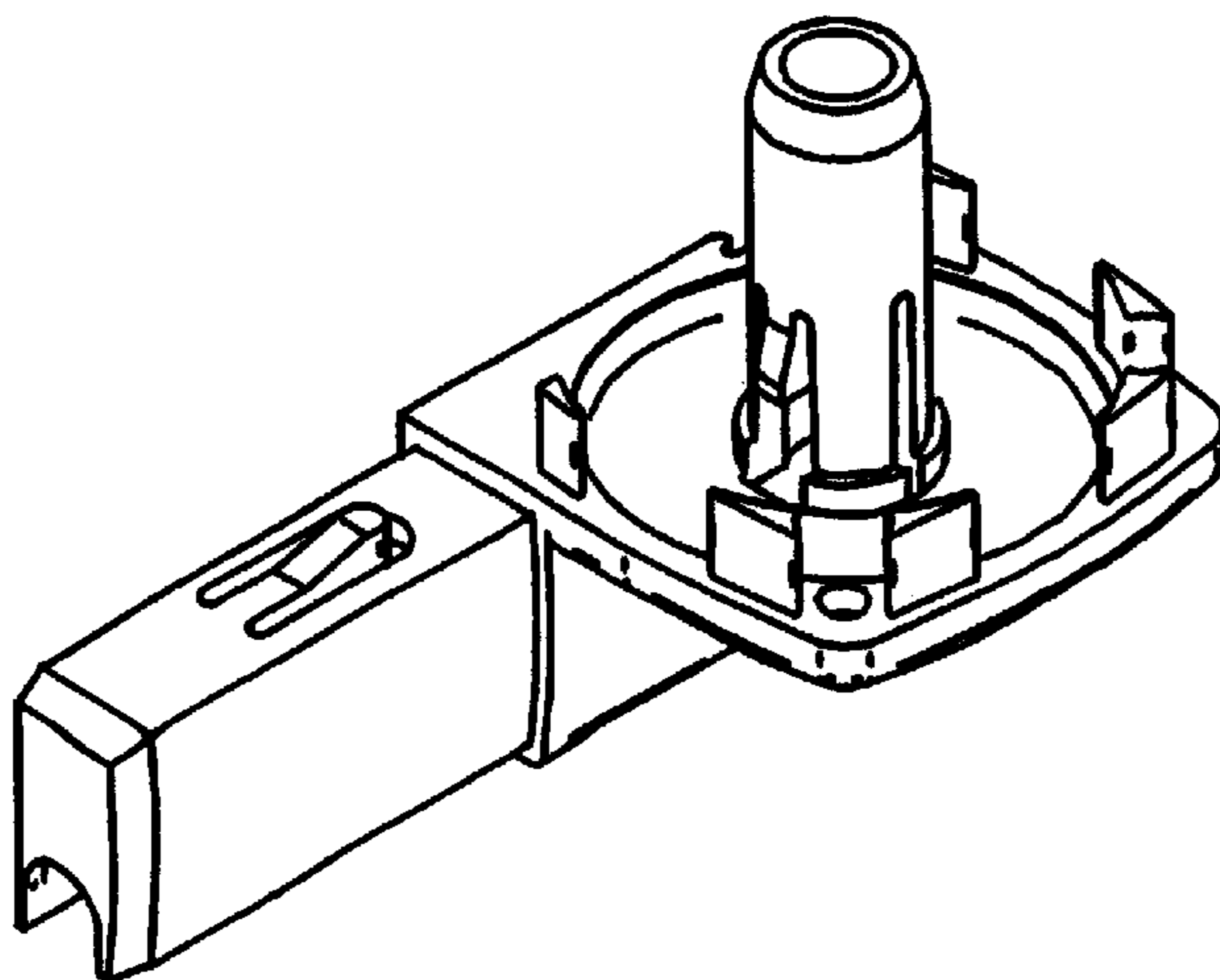


Figure 10

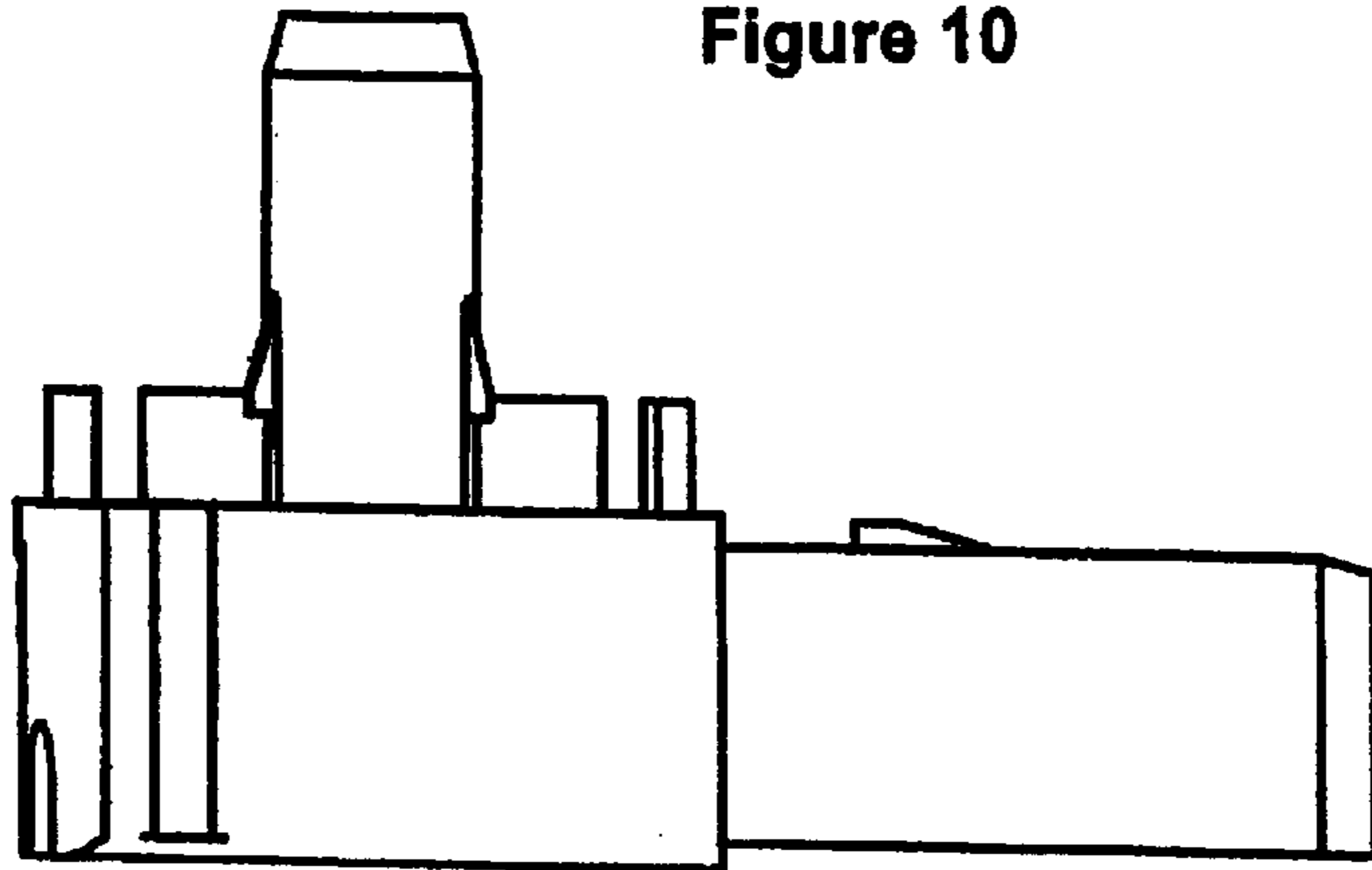


Figure 11

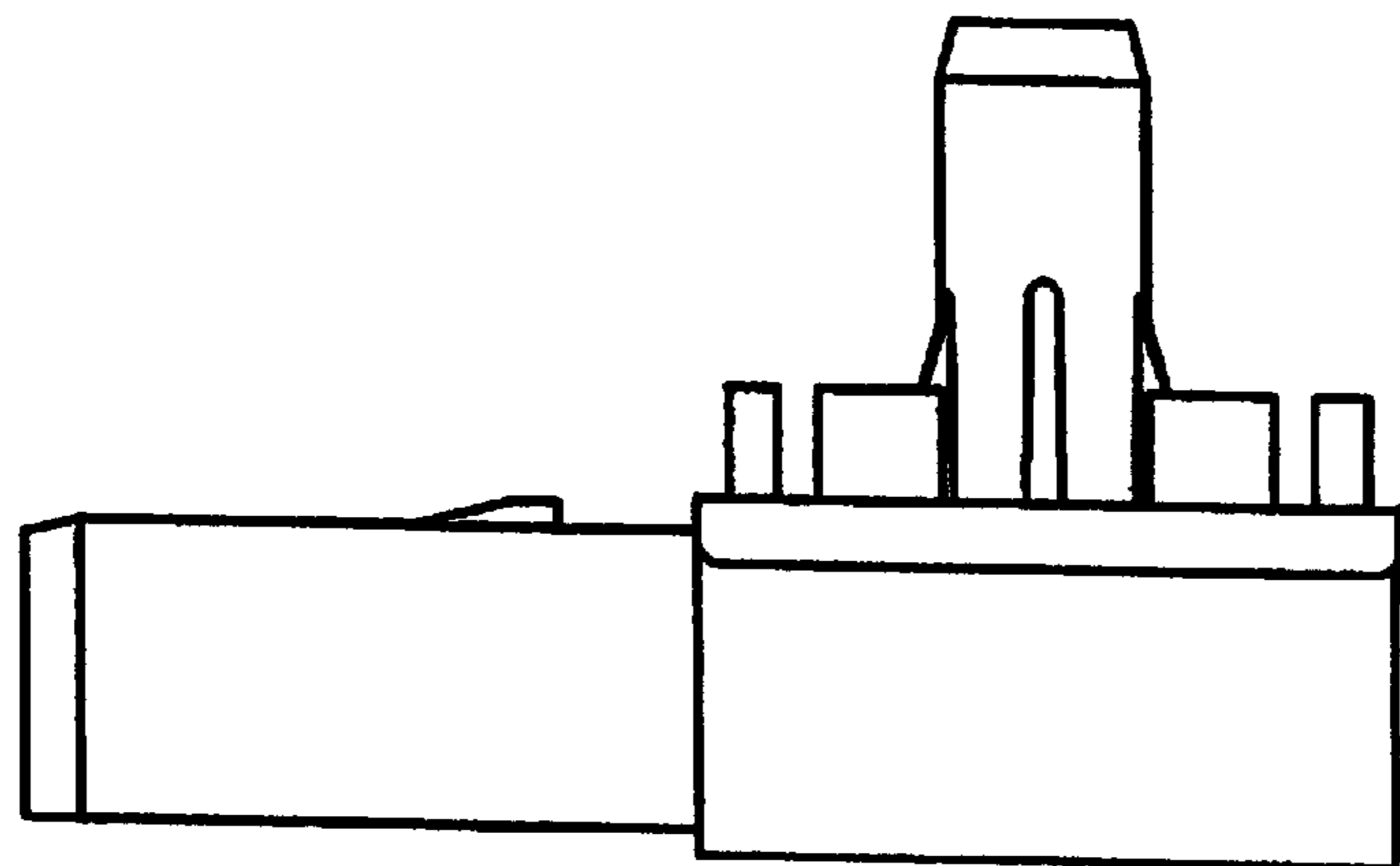


Figure 12

