



US00D534056S

(12) **United States Design Patent**
Mokashi et al.

(10) **Patent No.:** **US D534,056 S**
(45) **Date of Patent:** **** Dec. 26, 2006**

(54) **AUTOMOBILE VEHICLE STRIKER ASSEMBLY**

(75) Inventors: **Girishsingh A. Mokashi**, Sterling Heights, MI (US); **Gary L. Schubring**, Chesterfield, MI (US)

(73) Assignee: **Newfrey LLC**, Newark, DE (US)

(**) Term: **14 Years**

(21) Appl. No.: **29/229,039**

(22) Filed: **May 2, 2005**

(51) **LOC (8) Cl.** **08-07**

(52) **U.S. Cl.** **D8/344; D8/402**

(58) **Field of Classification Search** D8/344, D8/343, 330, 402; 292/15, 341.12, 302, 340, 292/207, 208, 240, DIG. 19, DIG. 15, DIG. 64; 16/86 A, 85; 384/22, 25, 741; 403/187, 188
See application file for complete search history.

(56) **References Cited**

U.S. PATENT DOCUMENTS

1,467,782 A	9/1923	Englund	
2,024,887 A	12/1935	Schnonitzer	
2,075,820 A	4/1937	McKinney	
2,100,591 A	11/1937	Haberstump	
2,187,531 A	1/1940	Butler	
2,217,892 A	10/1940	Dodge	
3,008,174 A	11/1961	Schonitzer	
D247,546 S	* 3/1978	Shaw et al.	D8/344
4,178,658 A	12/1979	Gergonne	
D303,754 S	* 10/1989	Weinerman et al.	D8/344
D311,324 S	* 10/1990	Weinerman et al.	D8/344
5,230,542 A	* 7/1993	Wiese	292/340
5,263,752 A	* 11/1993	Phail-Fausey et al.	292/340

5,269,538 A	12/1993	Strang	
5,501,495 A	* 3/1996	Claucherty	292/340
5,707,092 A	* 1/1998	Van Slembrouck et al.	292/341.19
5,927,774 A	* 7/1999	Granger	292/340
6,095,576 A	* 8/2000	Burton	292/340
6,095,577 A	* 8/2000	Nolzen	292/340
6,099,054 A	8/2000	Glass et al.	
6,106,037 A	* 8/2000	Burton	292/340
6,349,989 B1	2/2002	Kim	
6,676,201 B1	1/2004	Im et al.	
6,692,046 B1	2/2004	Paskonis	
D495,583 S	* 9/2004	Senn	D8/344
2005/0060867 A1	3/2005	Schubring et al.	

* cited by examiner

Primary Examiner—Prabhakar Deshmukh
(74) *Attorney, Agent, or Firm*—Harness, Dickey & Pierce, P.L.C.

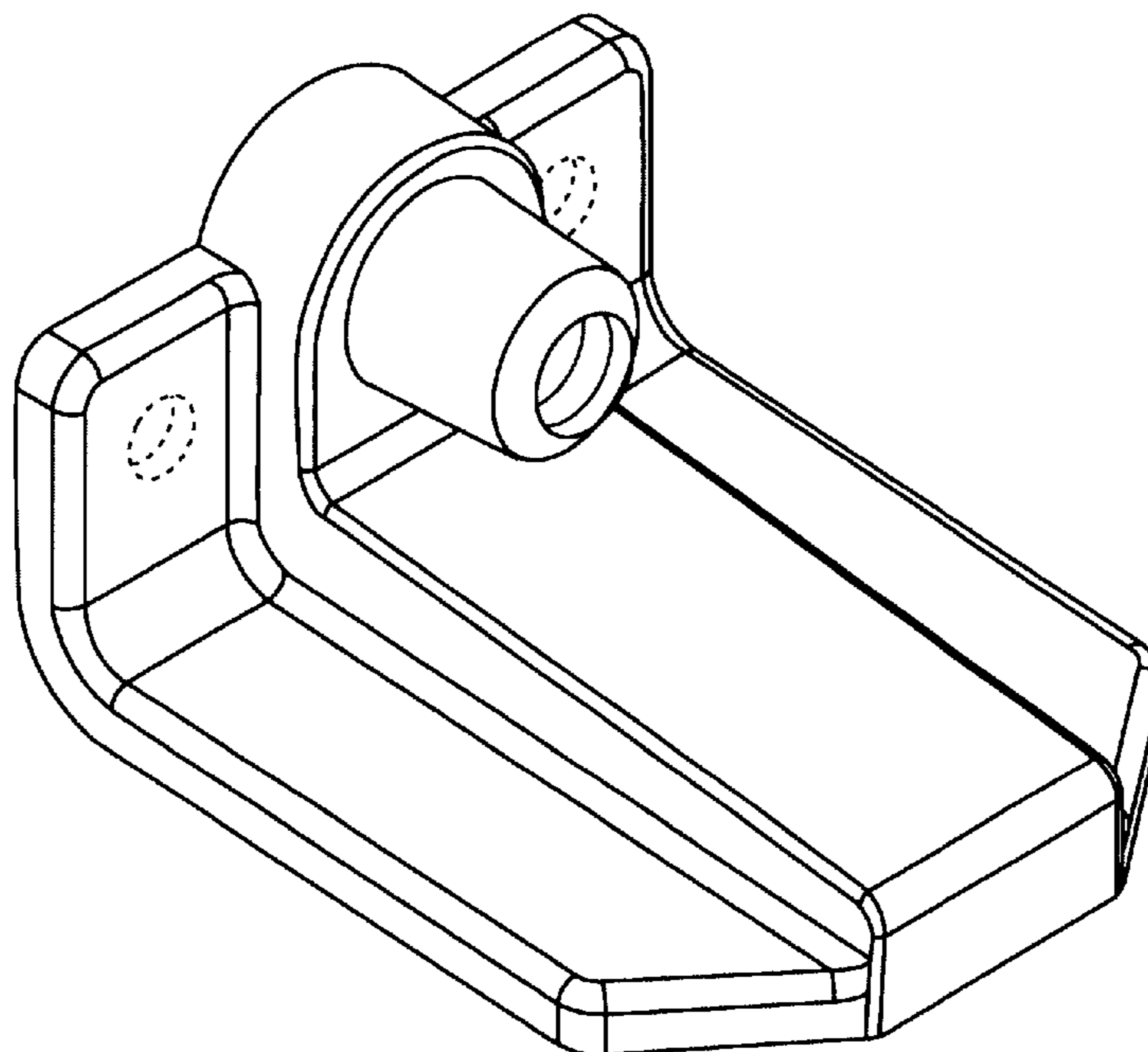
(57) **CLAIM**

We claim the ornamental design for an automobile vehicle striker assembly, as shown and described.

DESCRIPTION

FIG. 1 is a perspective view of an automobile vehicle striker assembly showing our new design; FIG. 2 is a left side elevational view thereof, the right side elevational being a mirror image thereof; FIG. 3 is a top plan view thereof; FIG. 4 is a front elevational view thereof; FIG. 5 is a rear elevational view thereof; and, FIG. 6 is a bottom plan view thereof. The broken lines are for illustrative purpose only and form no part of the claimed design.

1 Claim, 3 Drawing Sheets



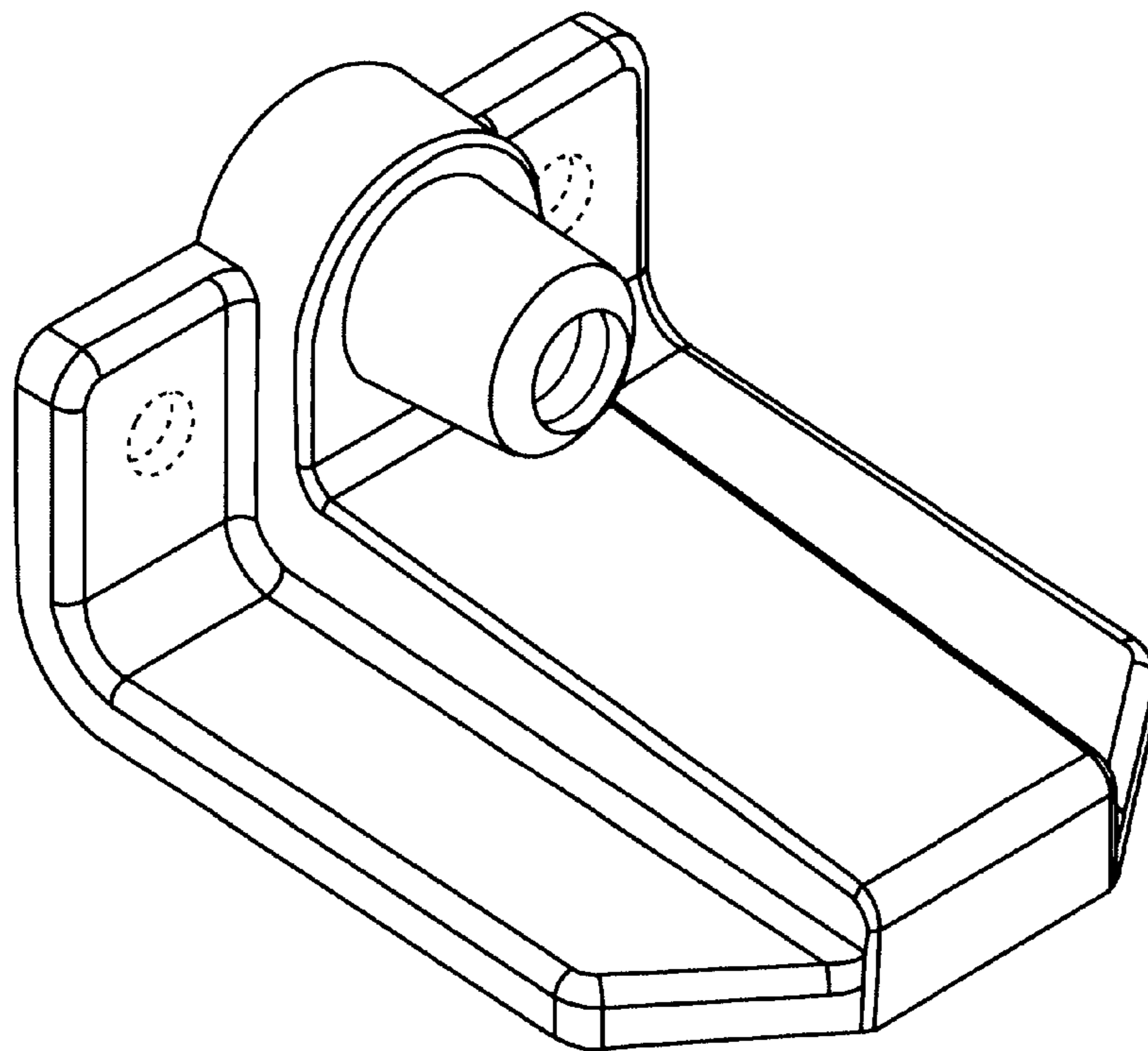


Fig. 1

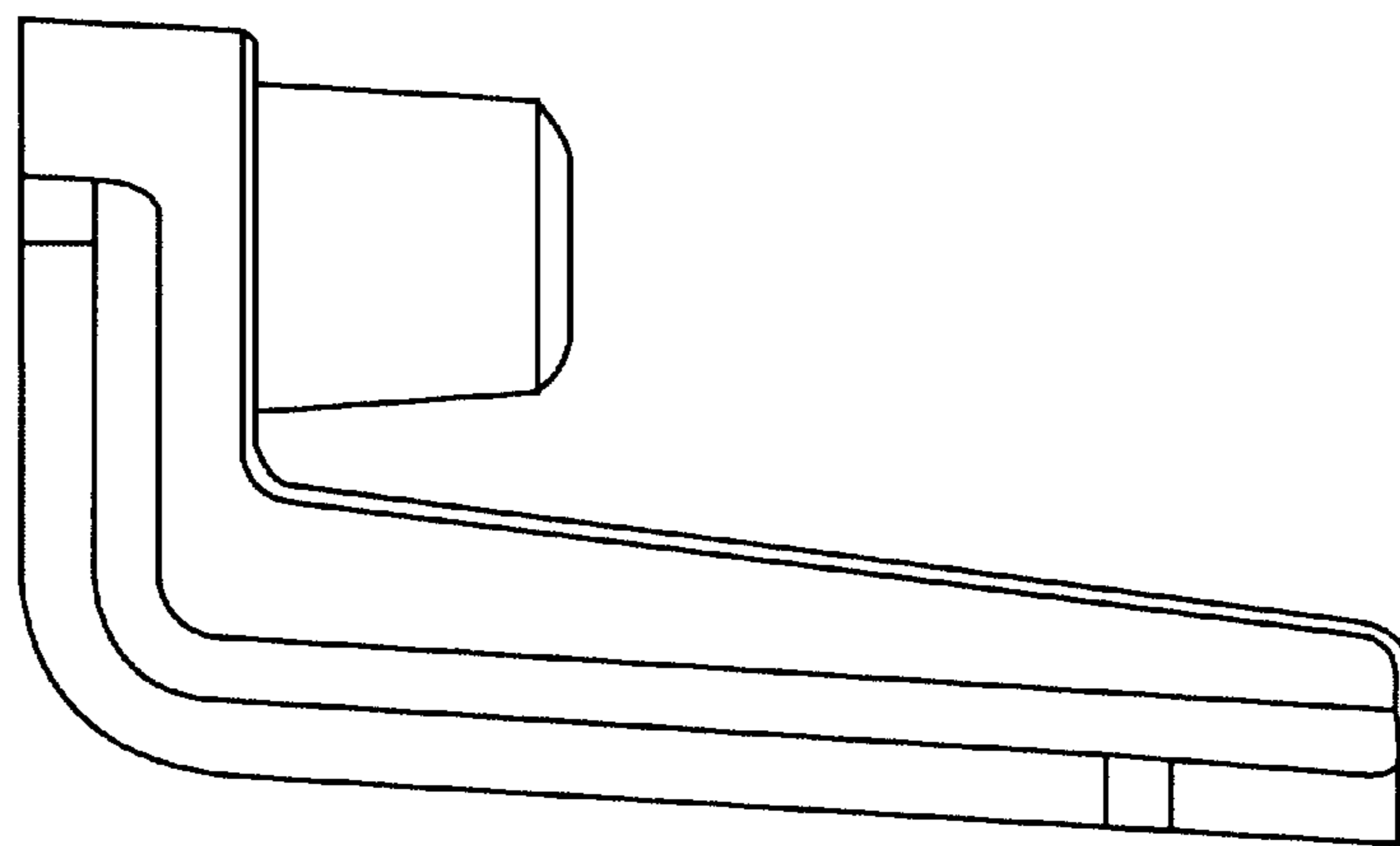


Fig. 2

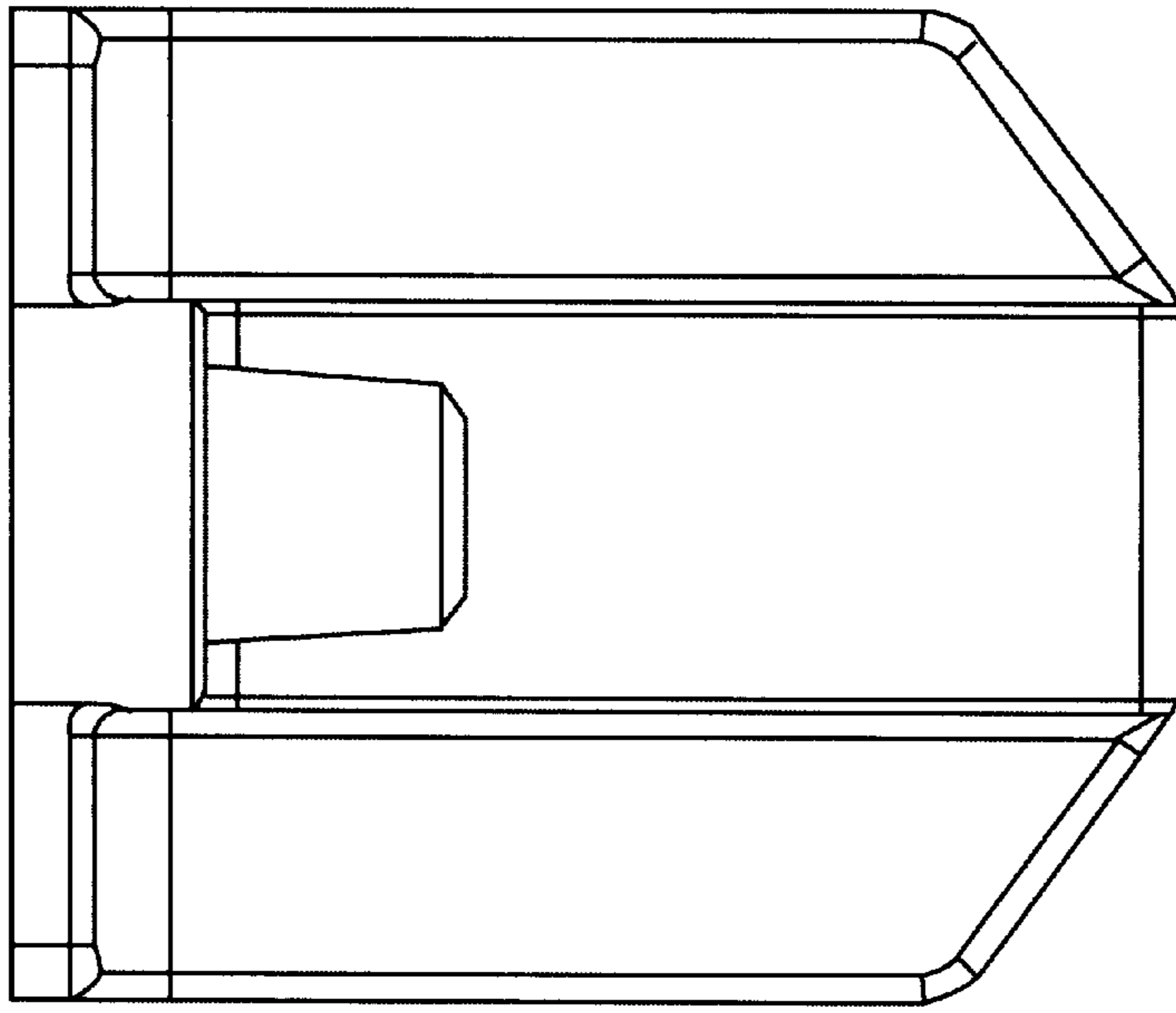


Fig. 3

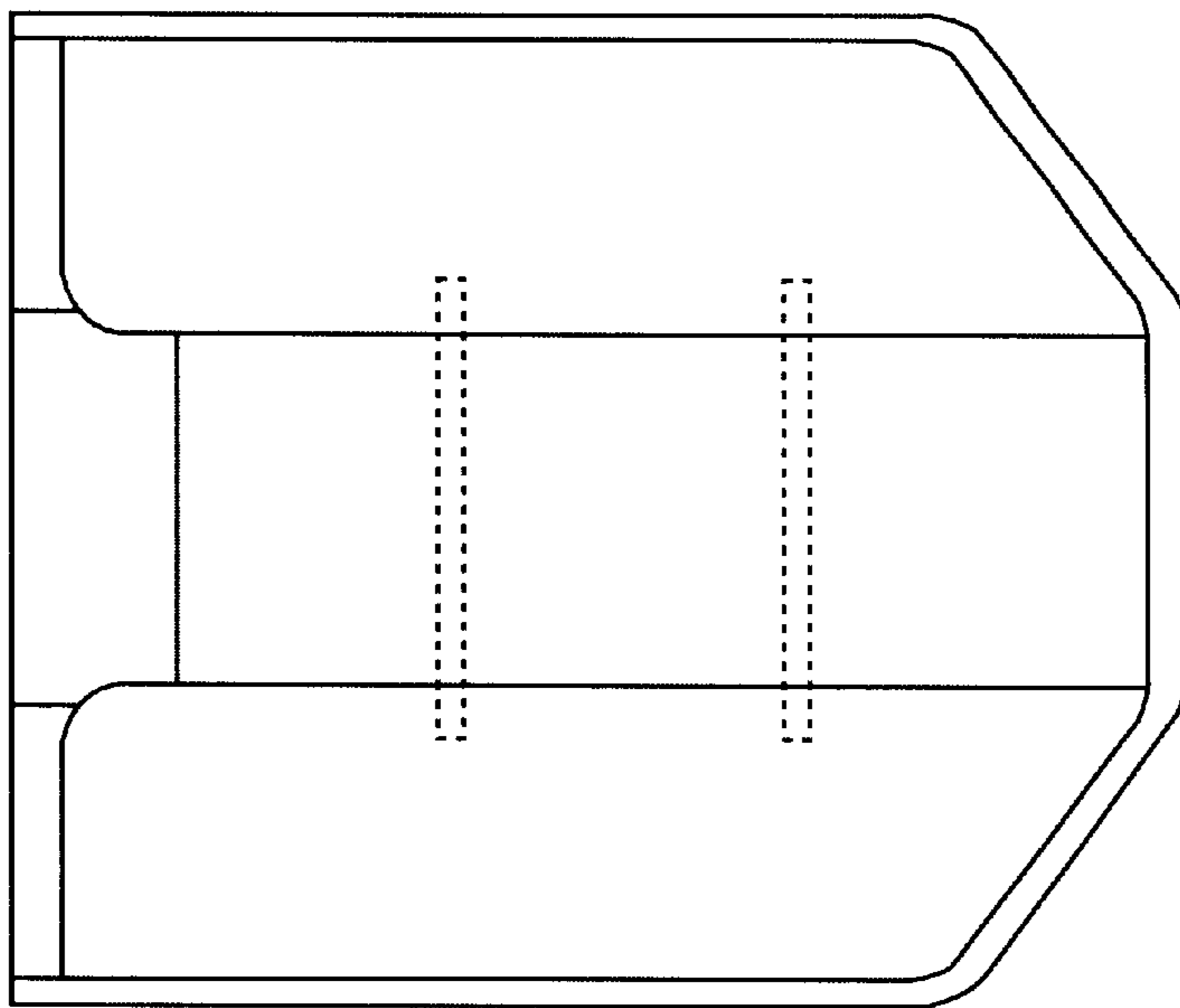


Fig. 6

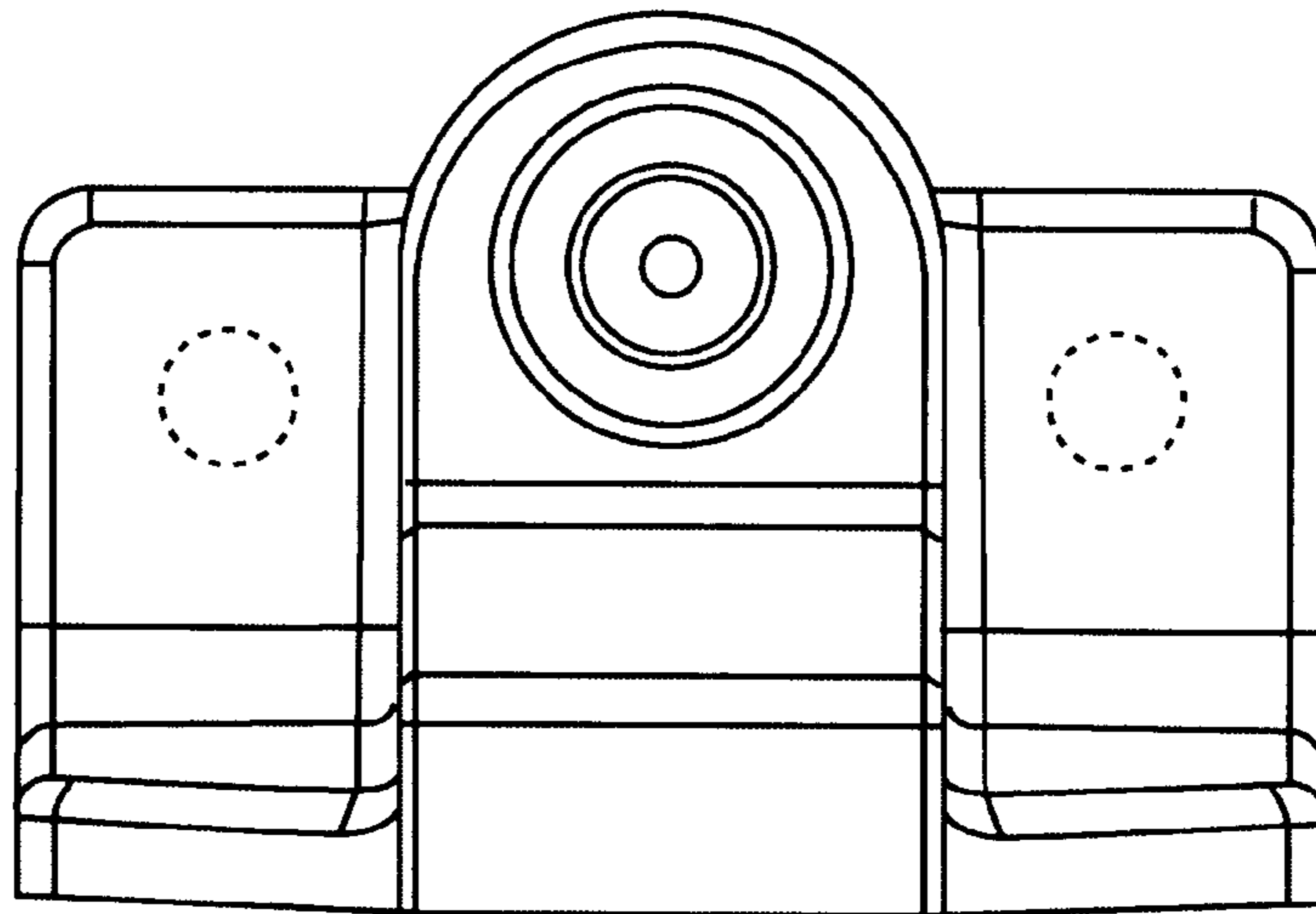


Fig. 4

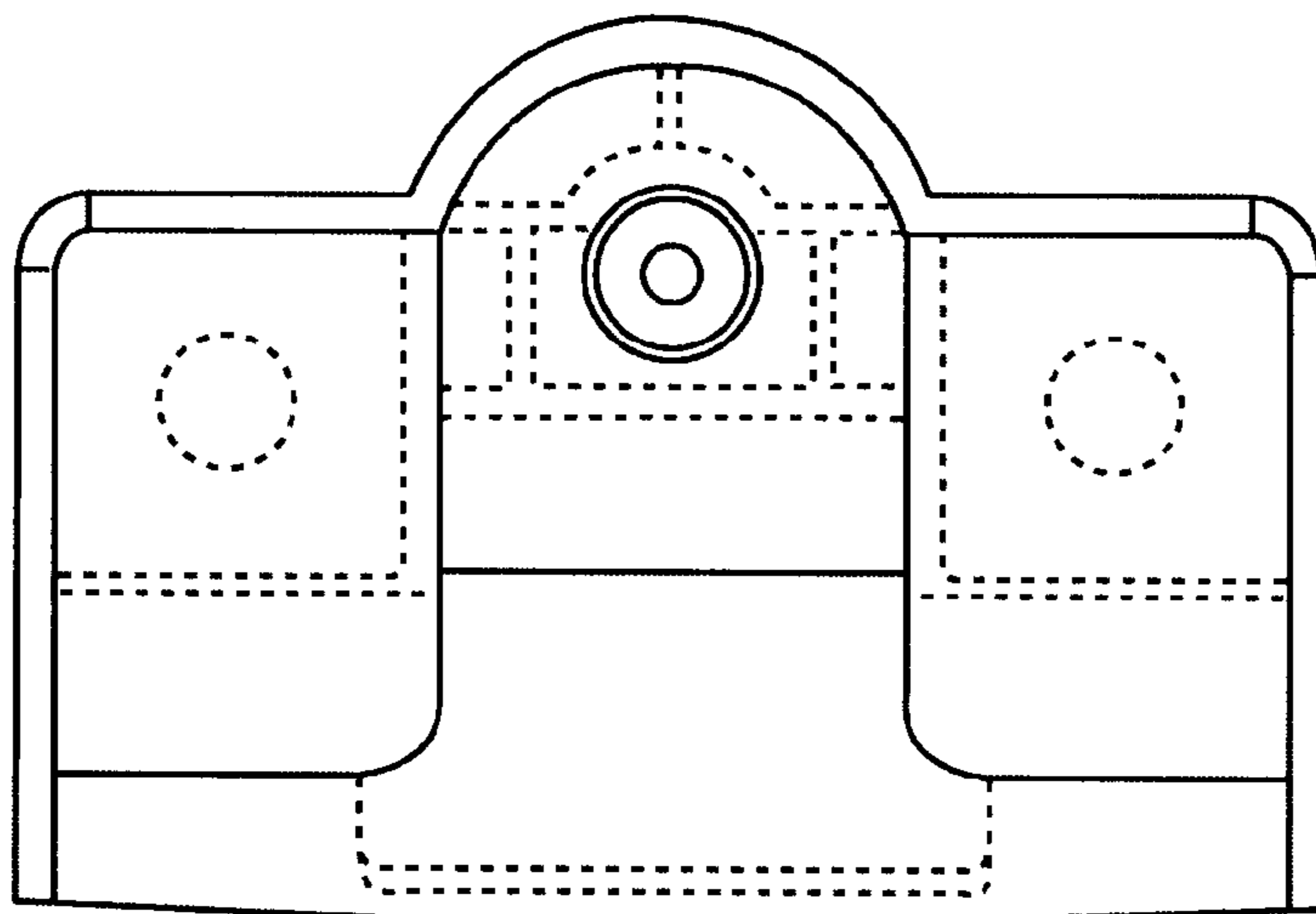


Fig. 5