



US00D534053S

(12) **United States Design Patent**
Sozzi

(10) **Patent No.:** **US D534,053 S**
(45) **Date of Patent:** **** Dec. 26, 2006**

- (54) **HINGE**
- (75) Inventor: **Romeo Sozzi**, Valmadrera (IT)
- (73) Assignee: **Sozzi Arredamenti S.r.l.**, Lecco (IT)
- (**) Term: **14 Years**
- (21) Appl. No.: **29/234,651**
- (22) Filed: **Jul. 21, 2005**
- (51) **LOC (8) Cl.** **08-06**
- (52) **U.S. Cl.** **D8/329**
- (58) **Field of Classification Search** 16/385,
16/386, 387, 388, 389, 221, DIG. 13, DIG. 40,
16/DIG. 43, 309, 316, 234-237, 239-241,
16/245-246, 249, 254, 261-262, 265, 272,
16/277, 307, 319, 335, 339, 342, 379, 381-383,
16/384; D23/303; 248/200, 221.11, 300,
248/309.1, 317; 4/236-240; D8/323, 324,
D8/325, 326, 327, 328, 329, 349, 354, 356
See application file for complete search history.

(56) **References Cited**

U.S. PATENT DOCUMENTS

375,039	A	*	12/1887	Wright	16/388
2,808,610	A	*	10/1957	Minor	D8/327
3,439,377	A	*	4/1969	Bucholz	16/389
3,577,584	A	*	5/1971	Himmelreich	16/390
3,591,247	A	*	7/1971	Berry et al.	16/389
5,144,721	A	*	9/1992	Schade	16/237

5,355,559	A	*	10/1994	Bowers et al.	16/389
D372,415	S	*	8/1996	Guidotti	D8/327
5,613,276	A	*	3/1997	Franz	16/309
5,867,871	A	*	2/1999	Tasman	16/335
D459,191	S	*	6/2002	Loggen	D8/323
6,560,821	B1	*	5/2003	Miller et al.	16/382
D493,350	S	*	7/2004	Wegman	D8/323
D493,351	S	*	7/2004	Wegman	D8/323
D497,533	S	*	10/2004	Wegman	D8/323
D497,534	S	*	10/2004	Wegman	D8/323
2004/0034966	A1	*	2/2004	Wegman	16/254

* cited by examiner

Primary Examiner—T. Chase Nelson

(74) *Attorney, Agent, or Firm*—Kirschstein, et al.

(57) **CLAIM**

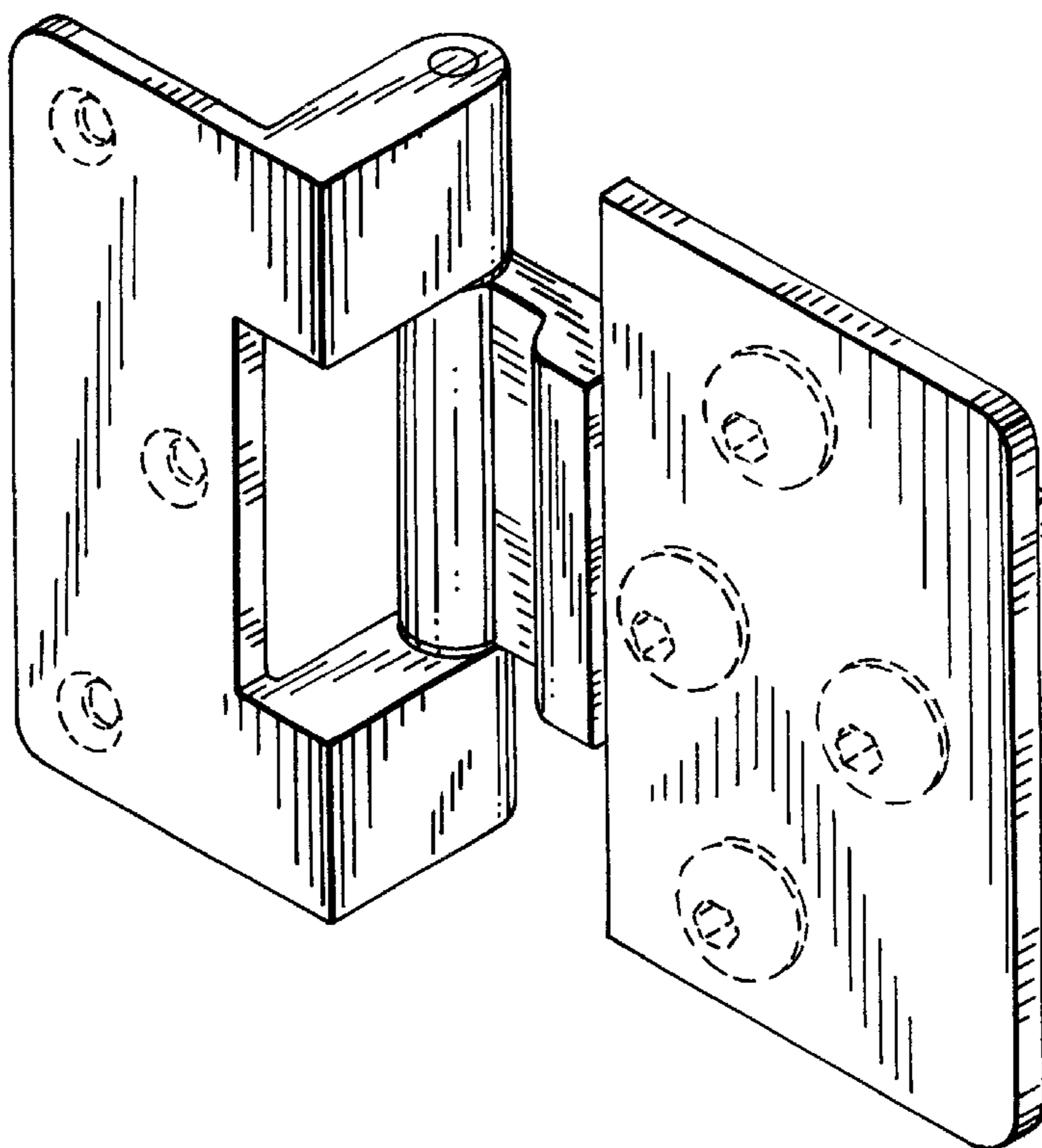
The ornamental design for a hinge, as shown and described.

DESCRIPTION

FIG. 1 is a top, front, right side, perspective view of a hinge according to my new design;
 FIG. 2 is a top plan view thereof;
 FIG. 3 is a front elevational view thereof;
 FIG. 4 is a left side elevational view thereof;
 FIG. 5 is a right side elevational view thereof;
 FIG. 6 is a rear elevational view thereof; and,
 FIG. 7 is a bottom plan view thereof.

The broken lines throughout the views form no part of this invention.

1 Claim, 4 Drawing Sheets



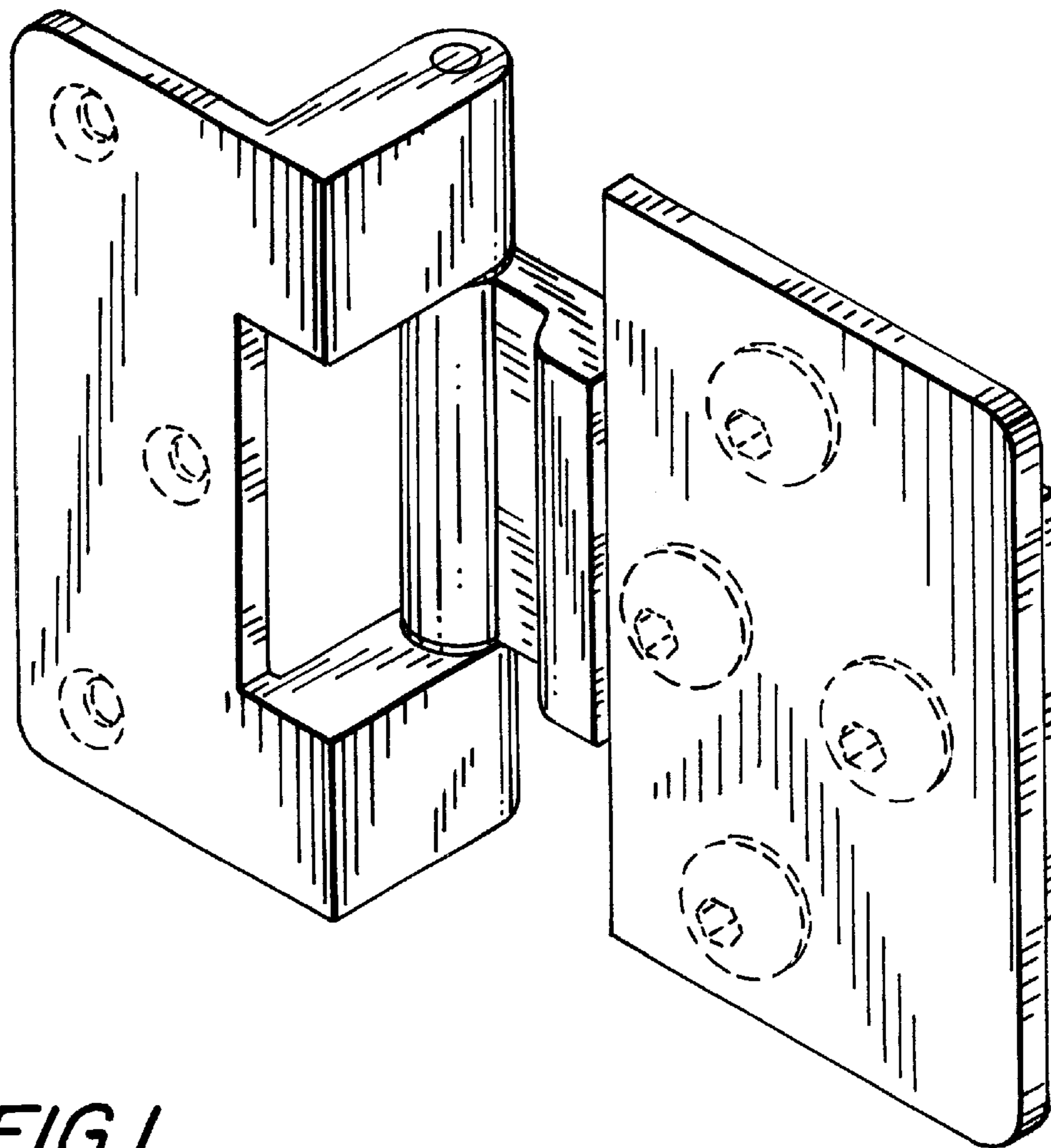


FIG. 1

FIG. 2

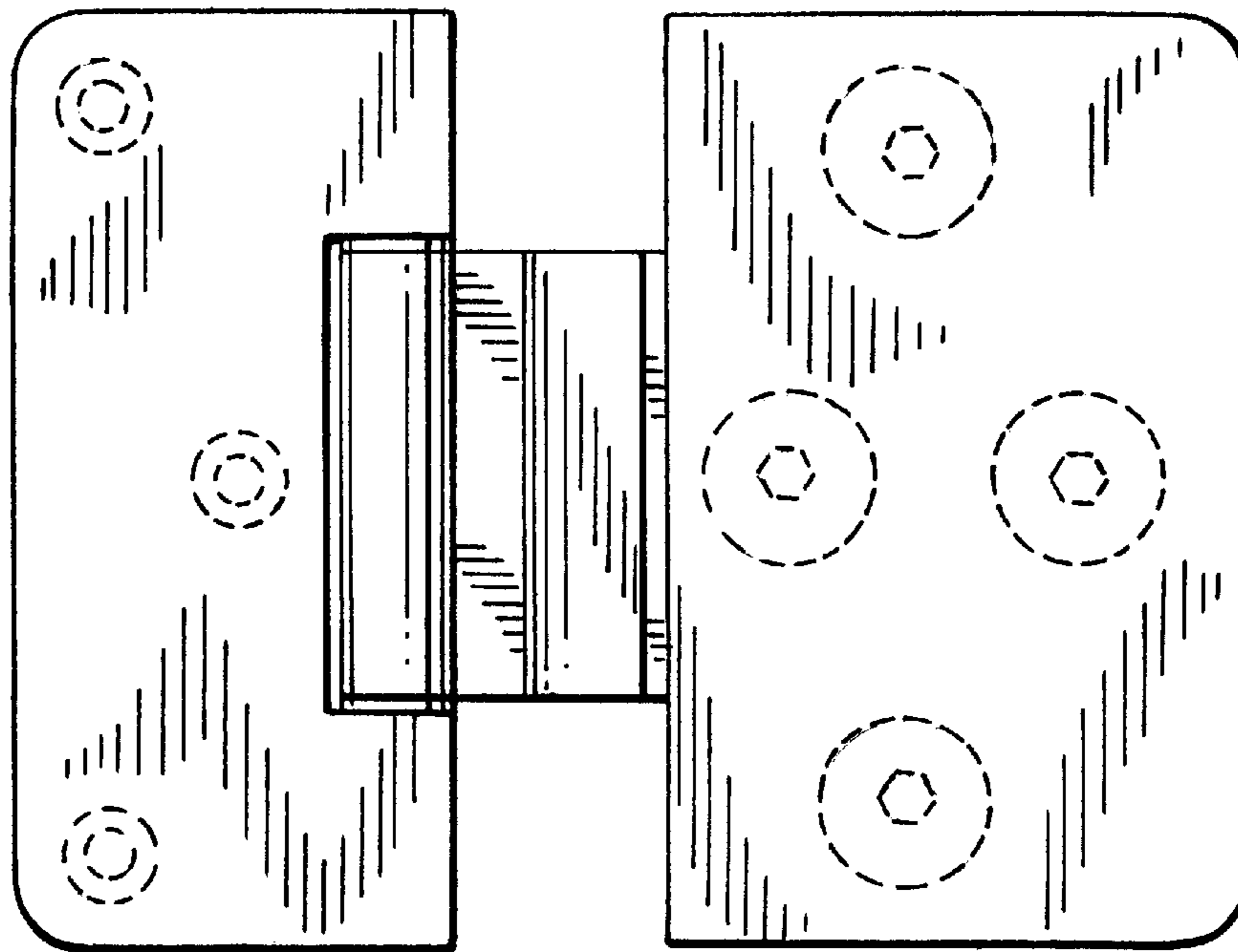
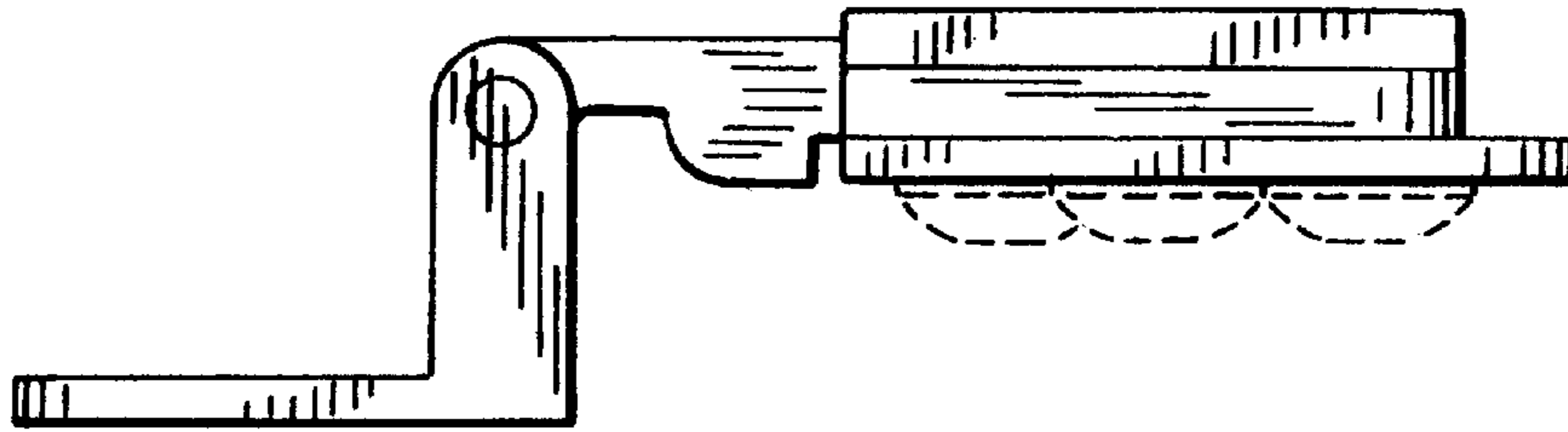


FIG. 3

FIG. 5

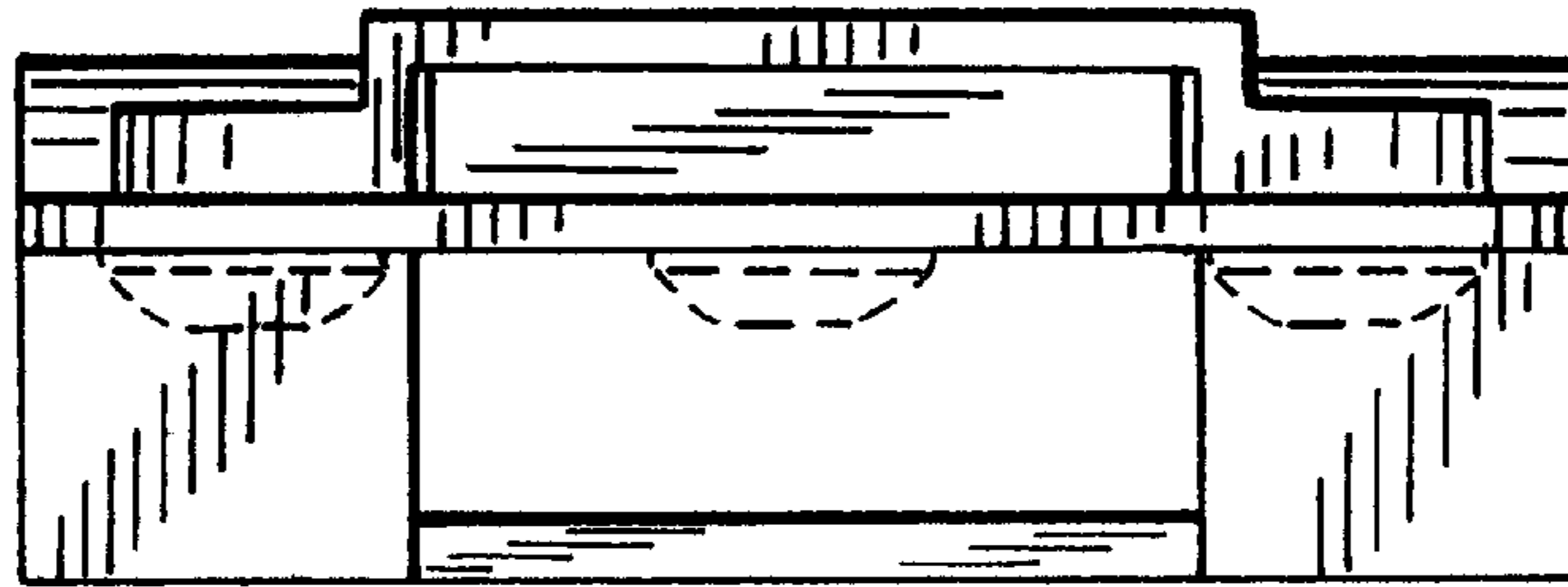


FIG. 4

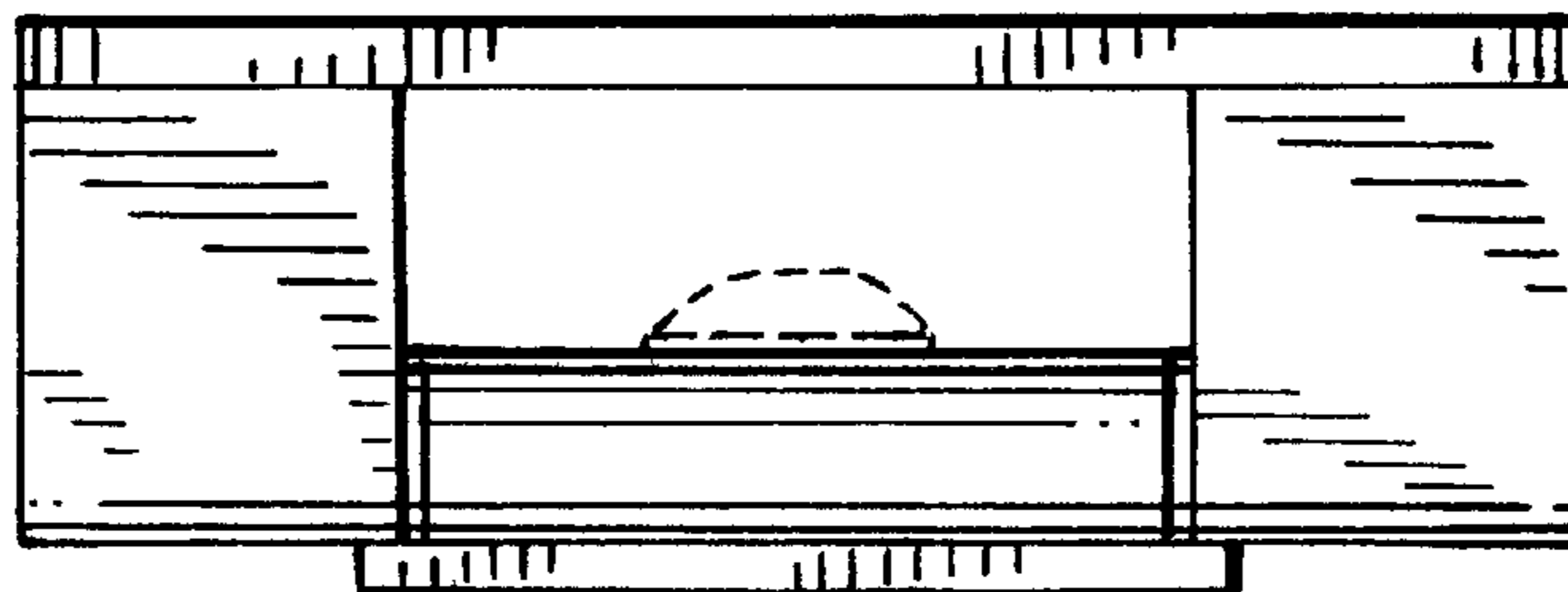


FIG. 6

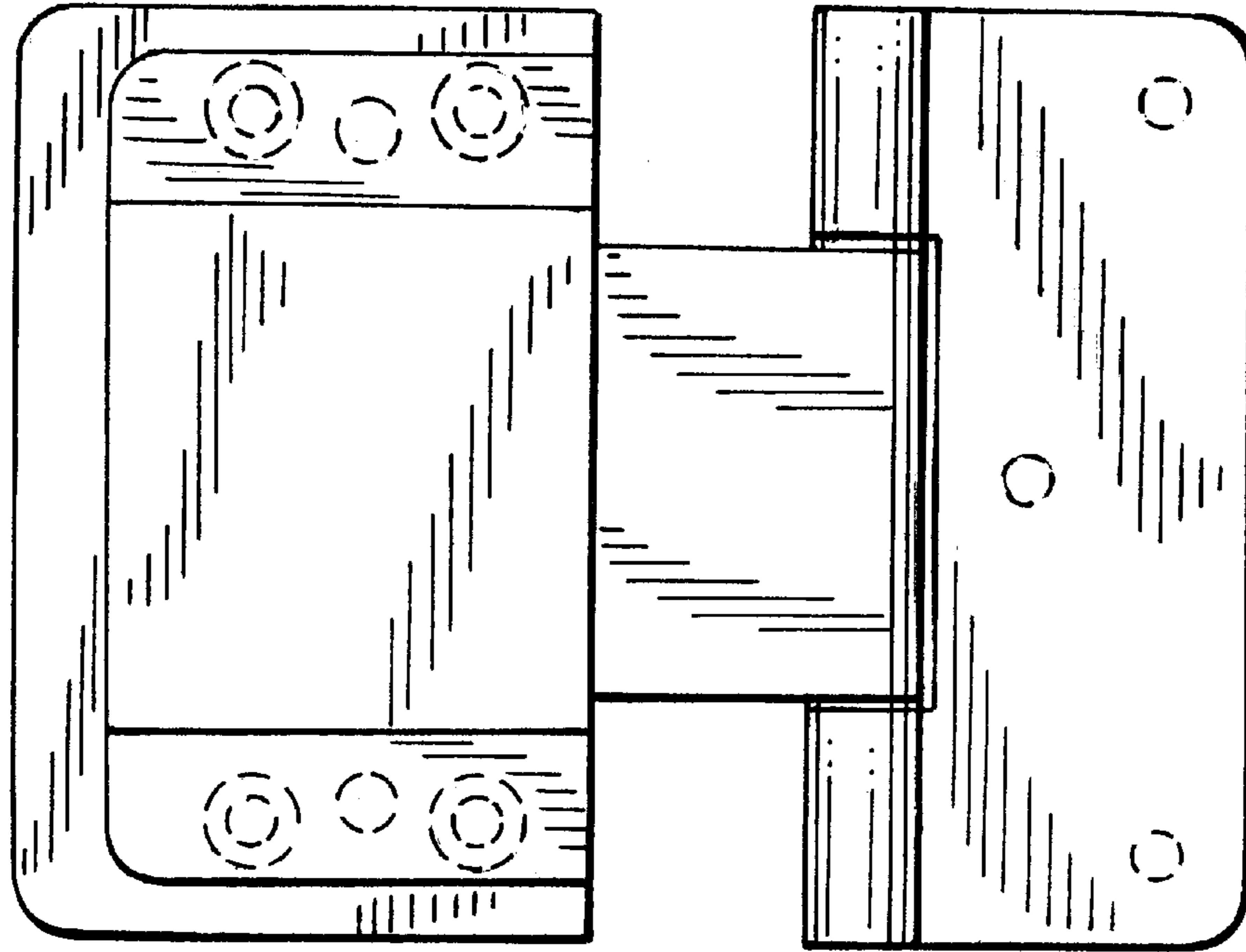


FIG. 7

