



US00D534051S

(12) **United States Design Patent**
Jackson

(10) **Patent No.:** **US D534,051 S**

(45) **Date of Patent:** **** Dec. 26, 2006**

(54) **OPEN RATCHET HANDLE**

(75) Inventor: **Stephen D. Jackson**, Stockton, CA
(US)

(73) Assignee: **USA Products Group, Inc.**, Lodi, CA
(US)

(**) Term: **14 Years**

(21) Appl. No.: **29/215,551**

(22) Filed: **Oct. 19, 2004**

(51) **LOC (8) Cl.** **08-05**

(52) **U.S. Cl.** **D8/107**

(58) **Field of Classification Search** 16/114.1,
16/406, 422; 81/489, 63, 490, 177.1, 177.4,
81/177.2, 465-466, 436-440; 173/213, 217
See application file for complete search history.

(56) **References Cited**

U.S. PATENT DOCUMENTS

384,186	A	6/1888	Barth	
578,030	A	3/1897	Morse	
D35,333	S	11/1901	Keller	
775,863	A	11/1904	Smith	
839,727	A	12/1906	Carnahan	
1,411,365	A	4/1922	Mitchell	
1,934,935	A	11/1933	Luxmore	
2,437,099	A *	3/1948	Krupp	150/107
D287,814	S	1/1987	Hiraishi et al.	
D343,345	S	1/1994	Ogawa et al.	
D431,438	S	10/2000	Flender et al.	
6,151,998	A *	11/2000	Fu-Hui	81/177.4
6,524,238	B1 *	2/2003	Velikaris et al.	600/213
D475,601	S *	6/2003	Huang	D8/107
6,581,246	B1 *	6/2003	Polette	16/429

D480,937	S *	10/2003	Vögele et al.	D8/69
D484,023	S *	12/2003	Stout	D8/107
D488,046	S *	4/2004	Marquardt et al.	D8/107
D494,831	S *	8/2004	Buchter	D8/107
2002/0125022	A1	9/2002	Dieterle et al.	

* cited by examiner

Primary Examiner—Pamela Burgess

(74) *Attorney, Agent, or Firm*—MacPherson Kwok Chen & Heid LLP

(57) **CLAIM**

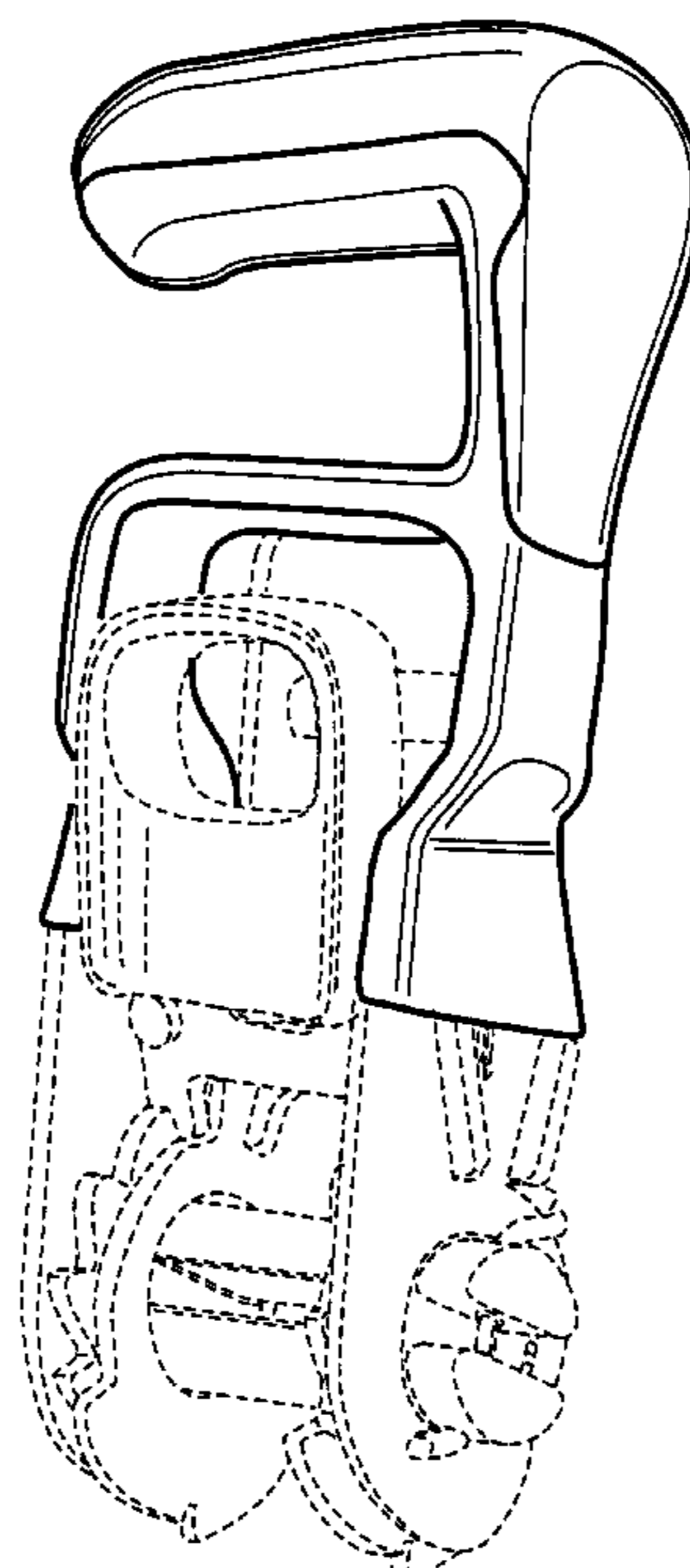
The ornamental design for an open ratchet handle, as shown and described.

DESCRIPTION

FIG. 1 is a perspective view of an open ratchet handle showing my new design;
 FIG. 2 is a front end view thereof;
 FIG. 3 is a rear end view thereof;
 FIG. 4 is a side view thereof;
 FIG. 5 is an opposing side view thereof;
 FIG. 6 is a top view thereof;
 FIG. 7 is a bottom view thereof;
 FIG. 8 is a front end view of an enlarged open ratchet handle without any environmental structure thereof;
 FIG. 9 is a rear end view thereof;
 FIG. 10 is a side view thereof;
 FIG. 11 is an opposing side view thereof;
 FIG. 12 is a bottom view thereof; and,
 FIG. 13 is a top view thereof.

The broken lines illustrated in FIGS. 1-7, 9 and 13 represent environmental structure, which is not considered a part of the claimed design.

1 Claim, 4 Drawing Sheets



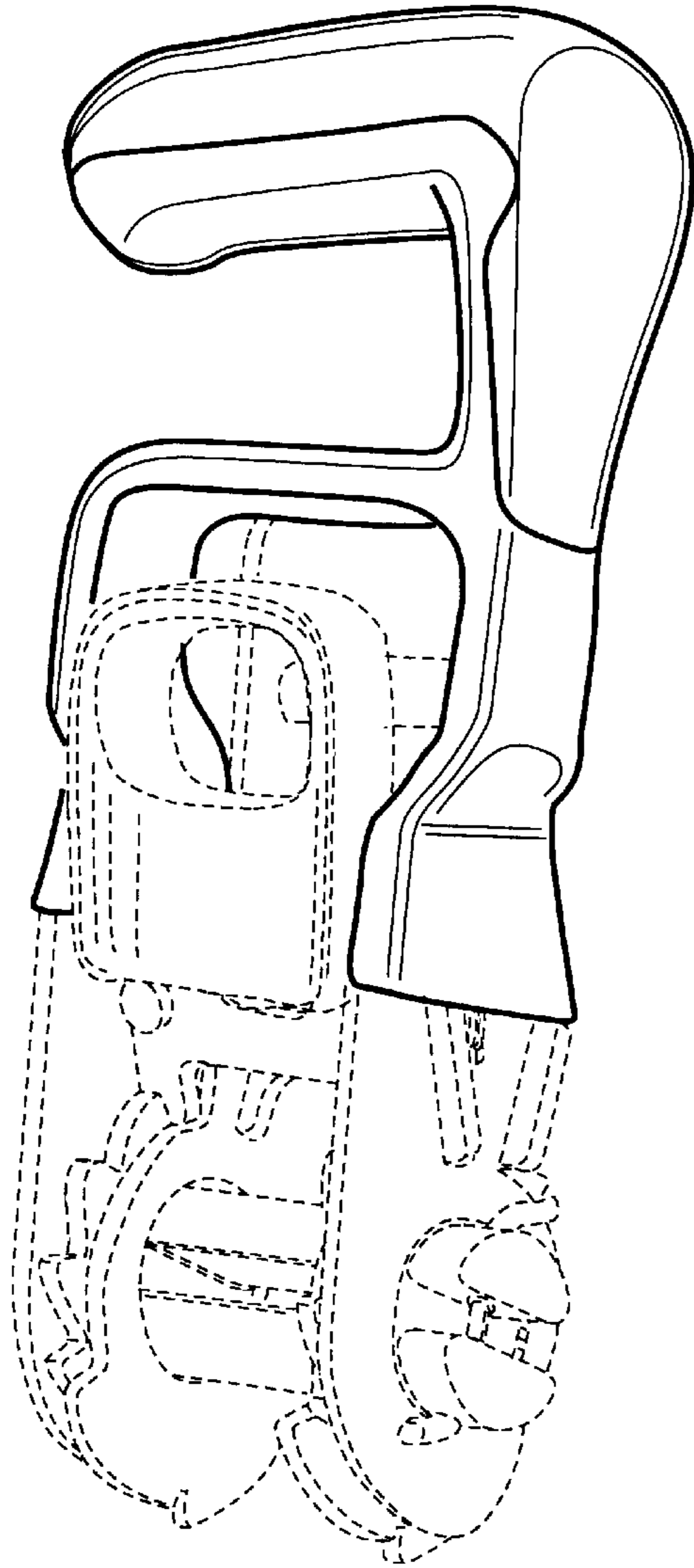


FIG. 1

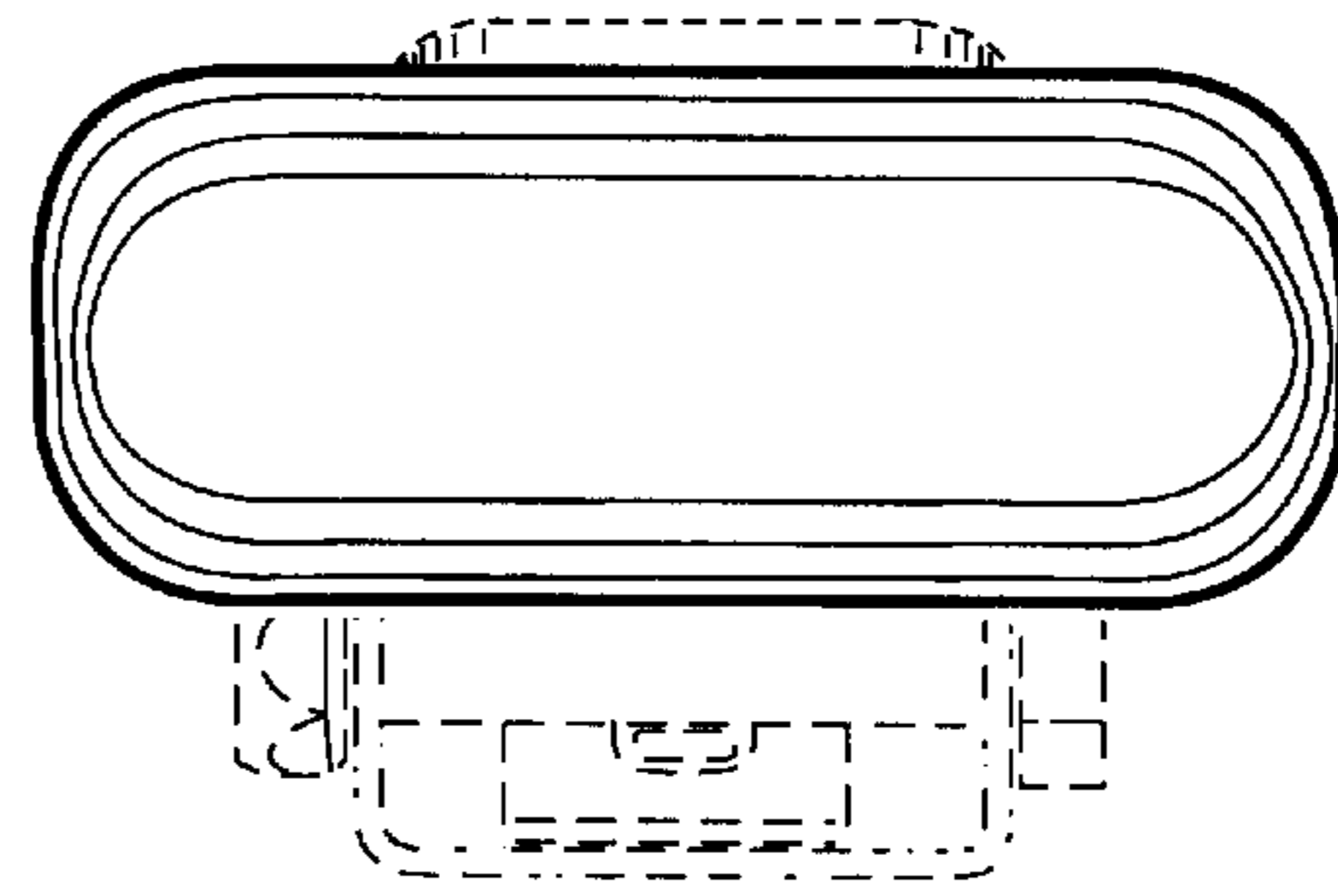


FIG. 2

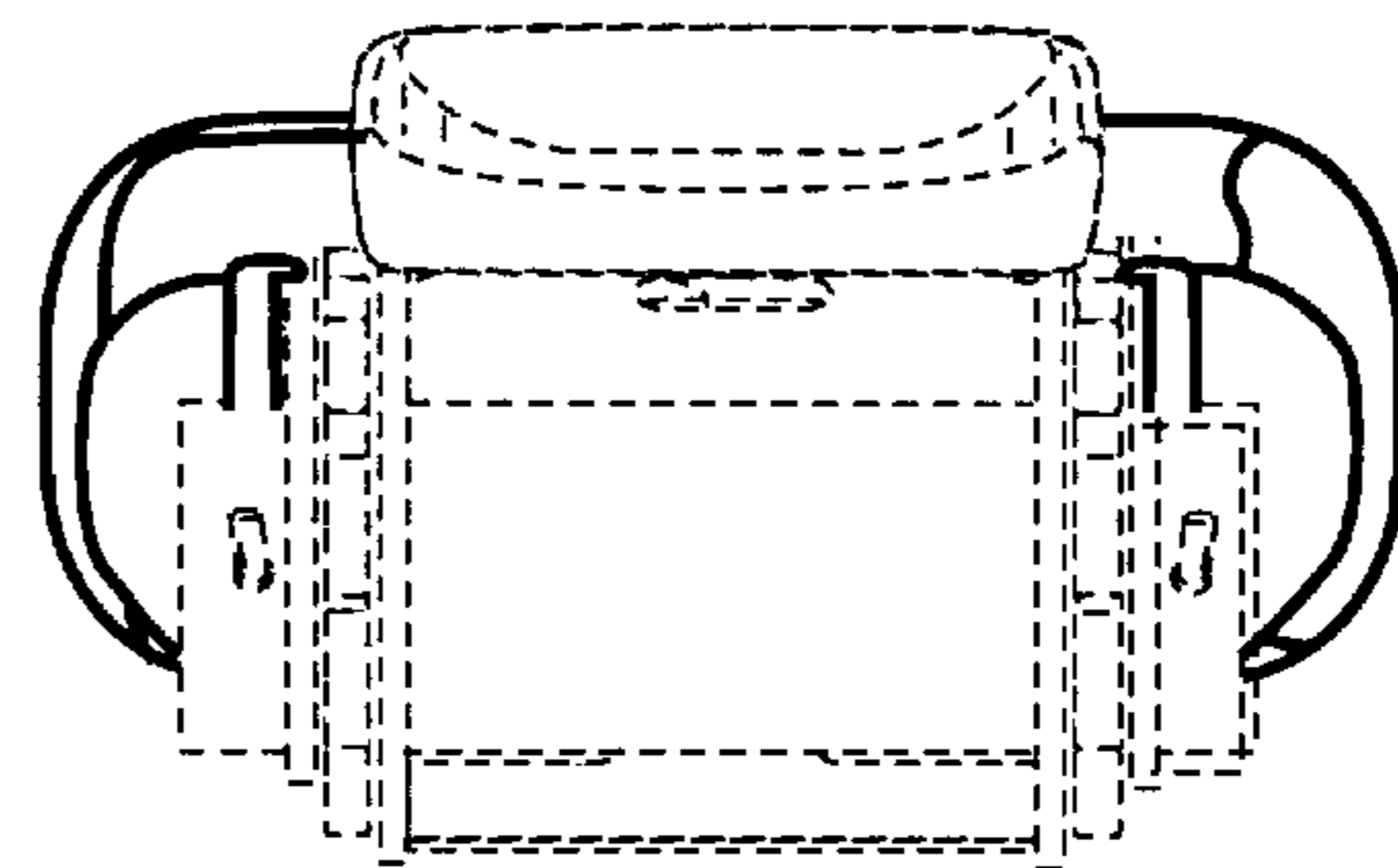


FIG. 3

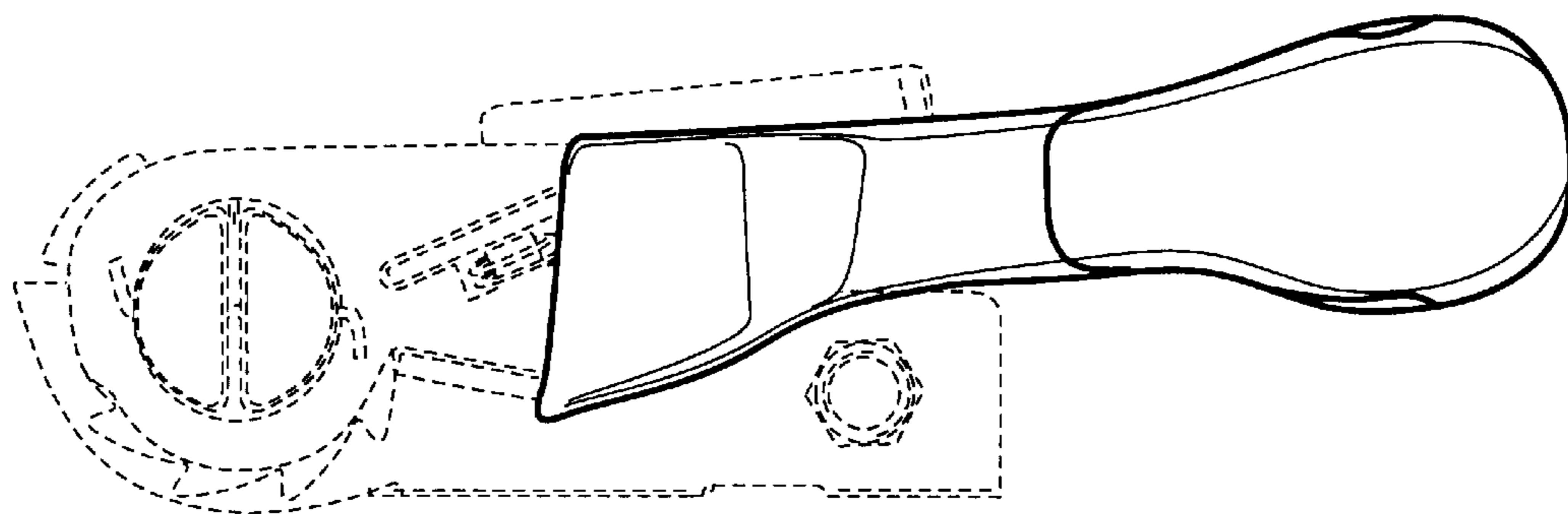


FIG. 4

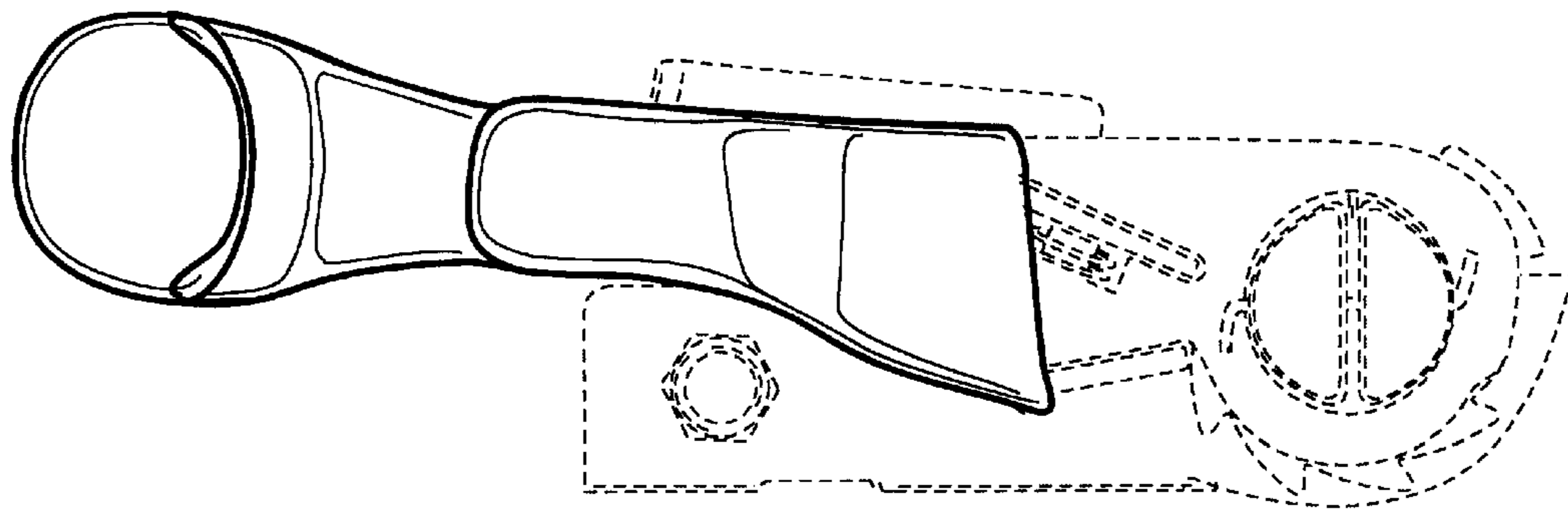


FIG. 5

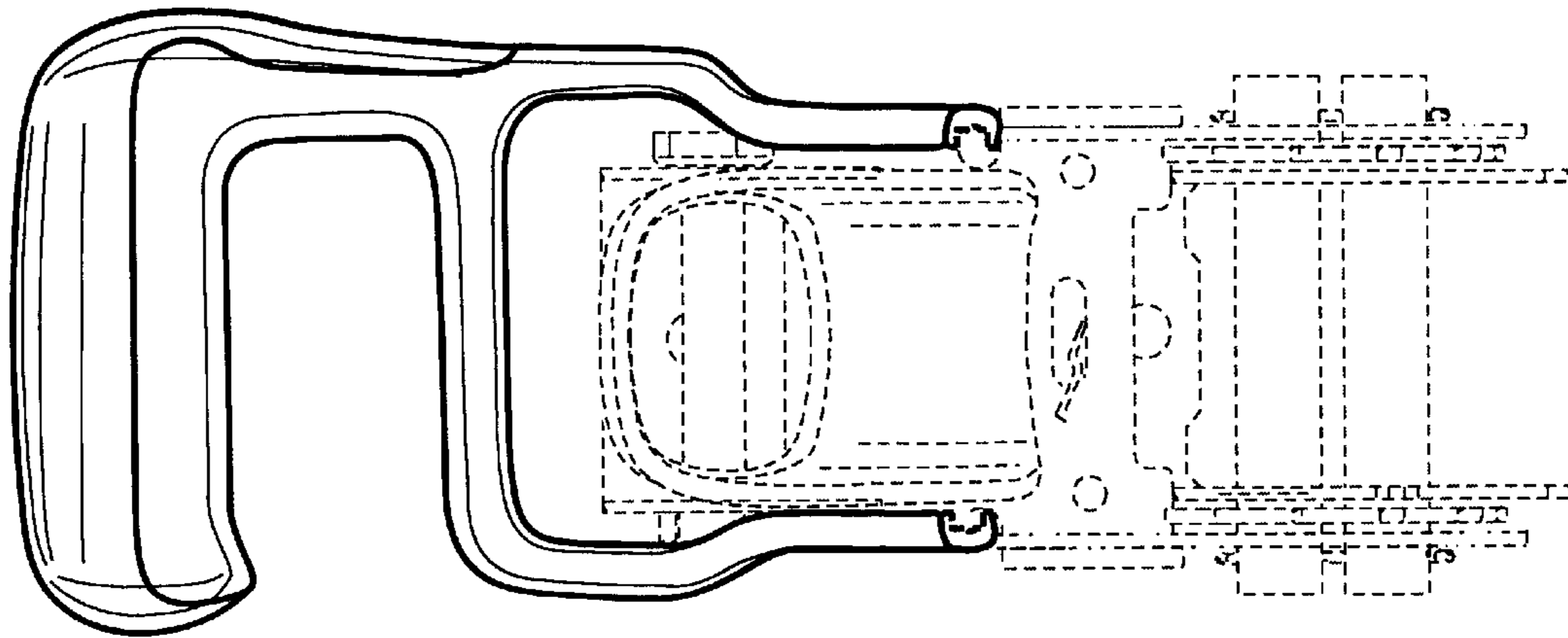


FIG. 6

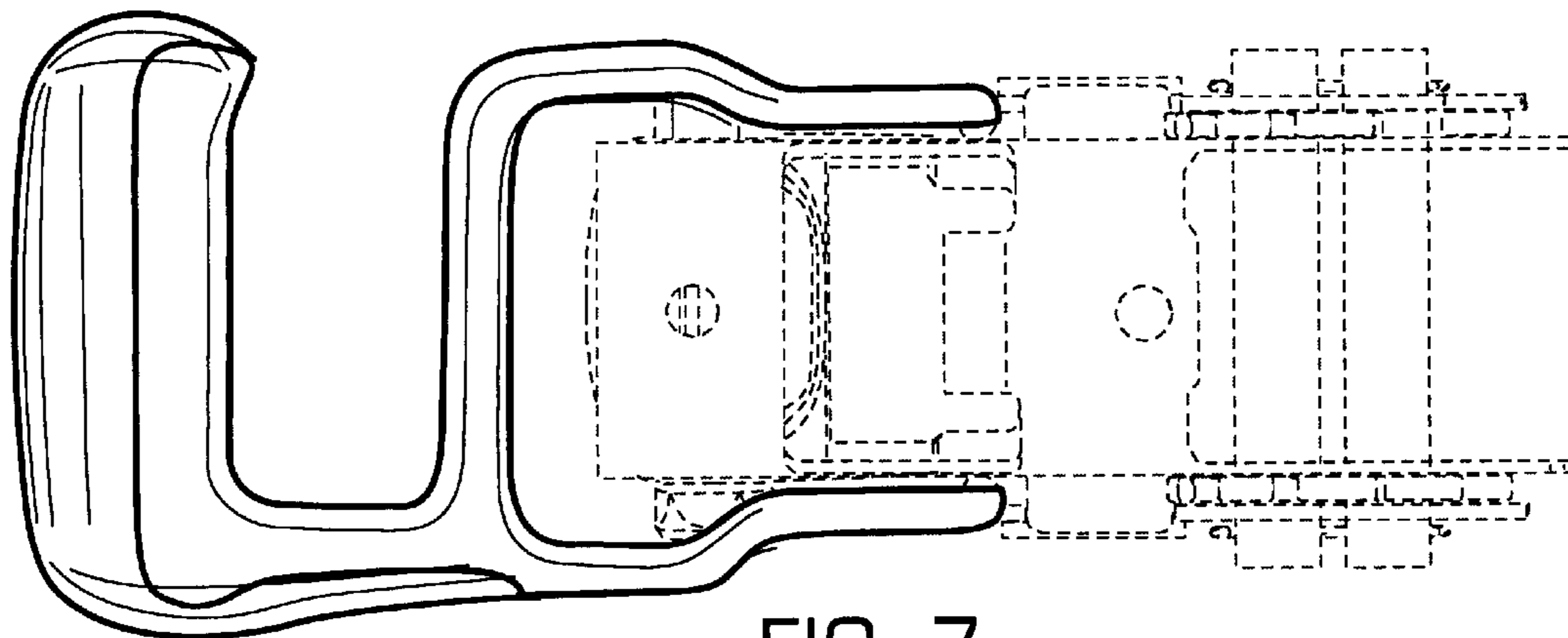


FIG. 7

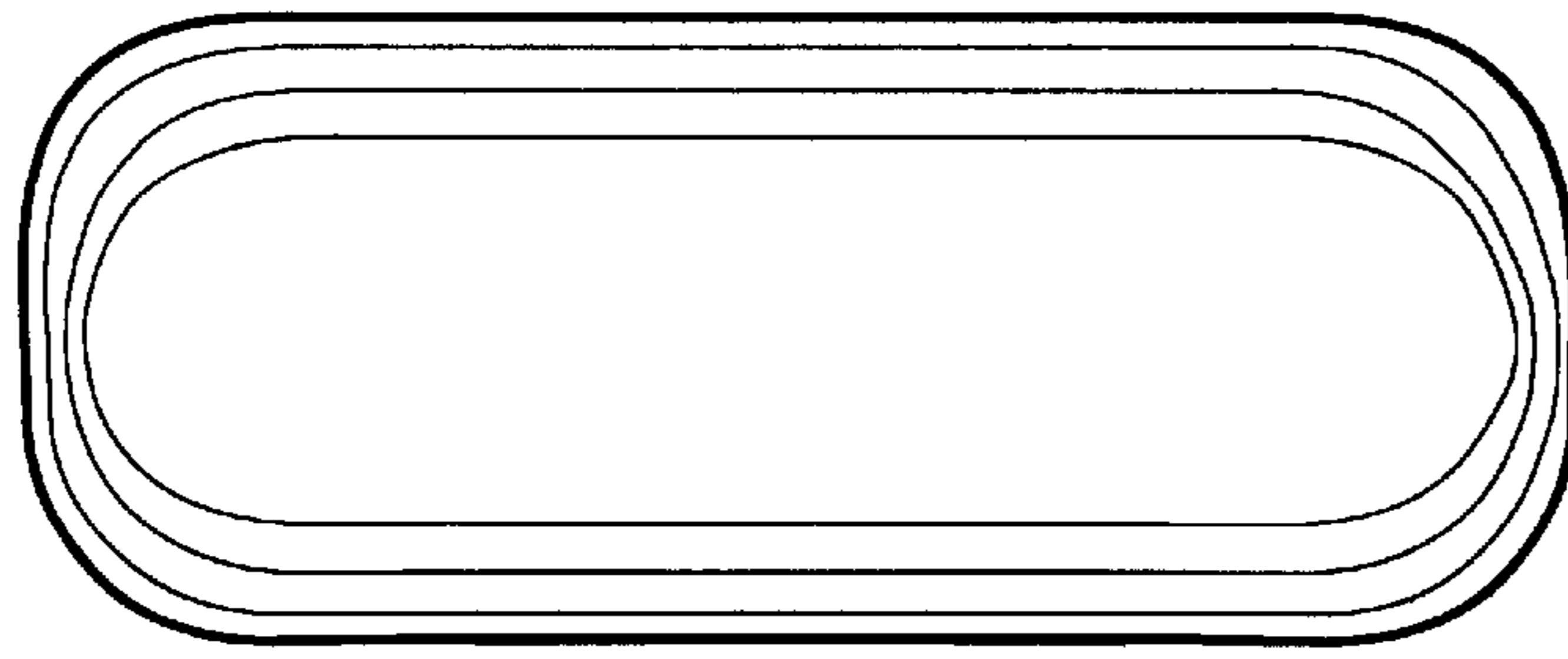


FIG. 8

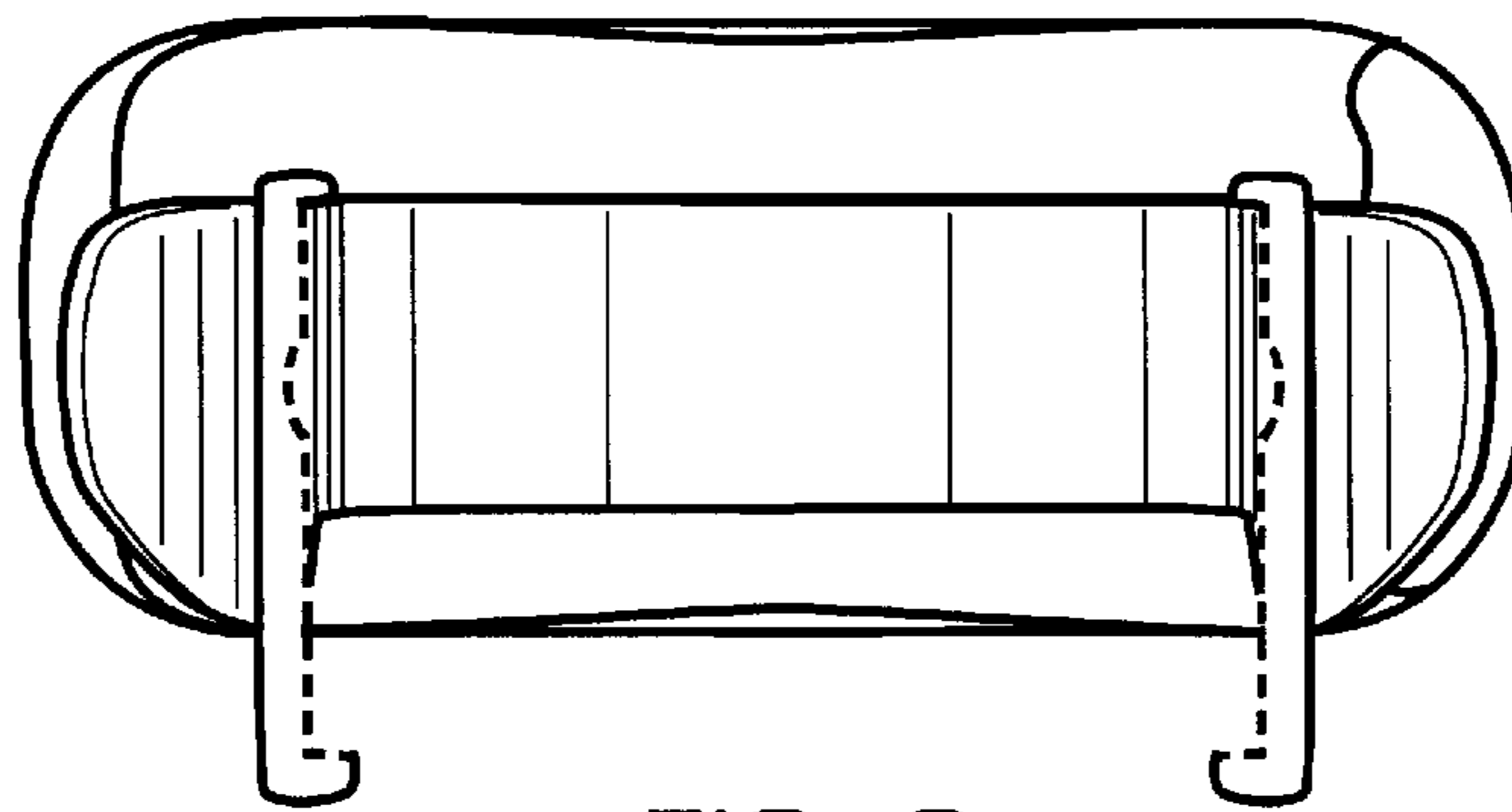


FIG. 9

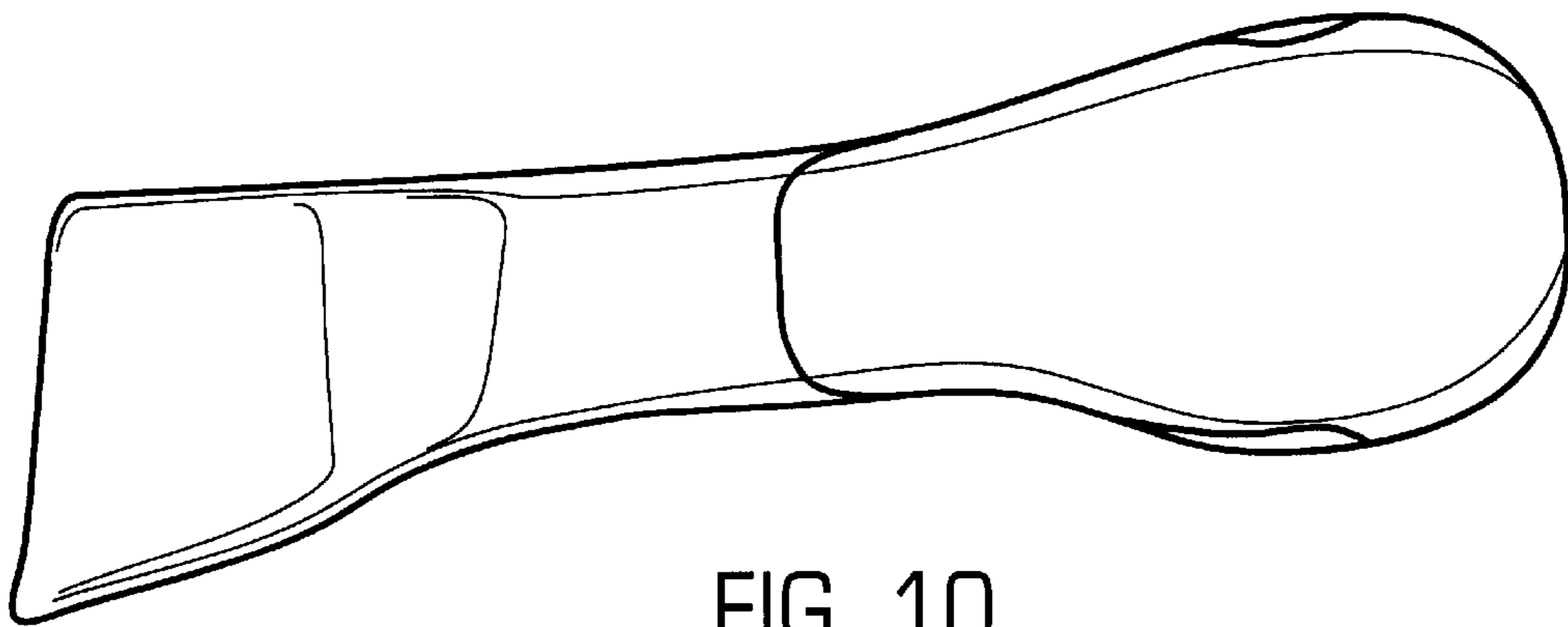


FIG. 10

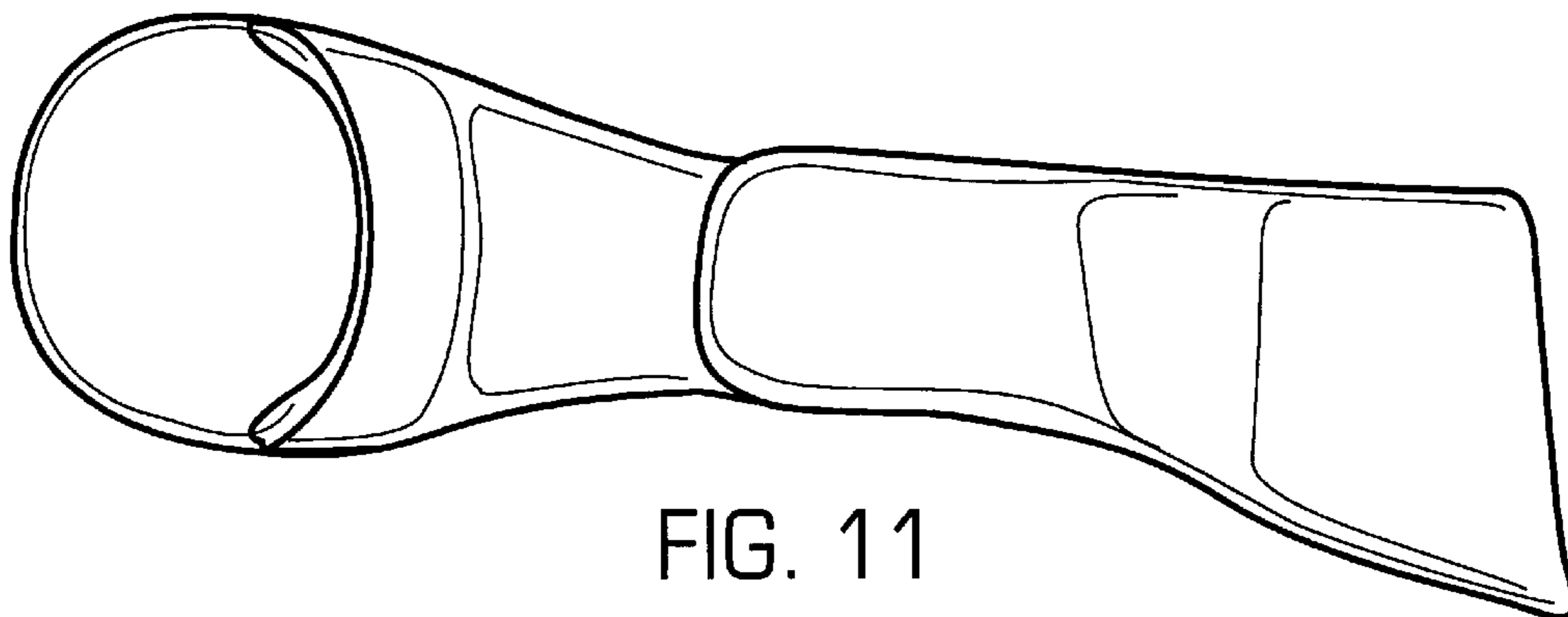


FIG. 11

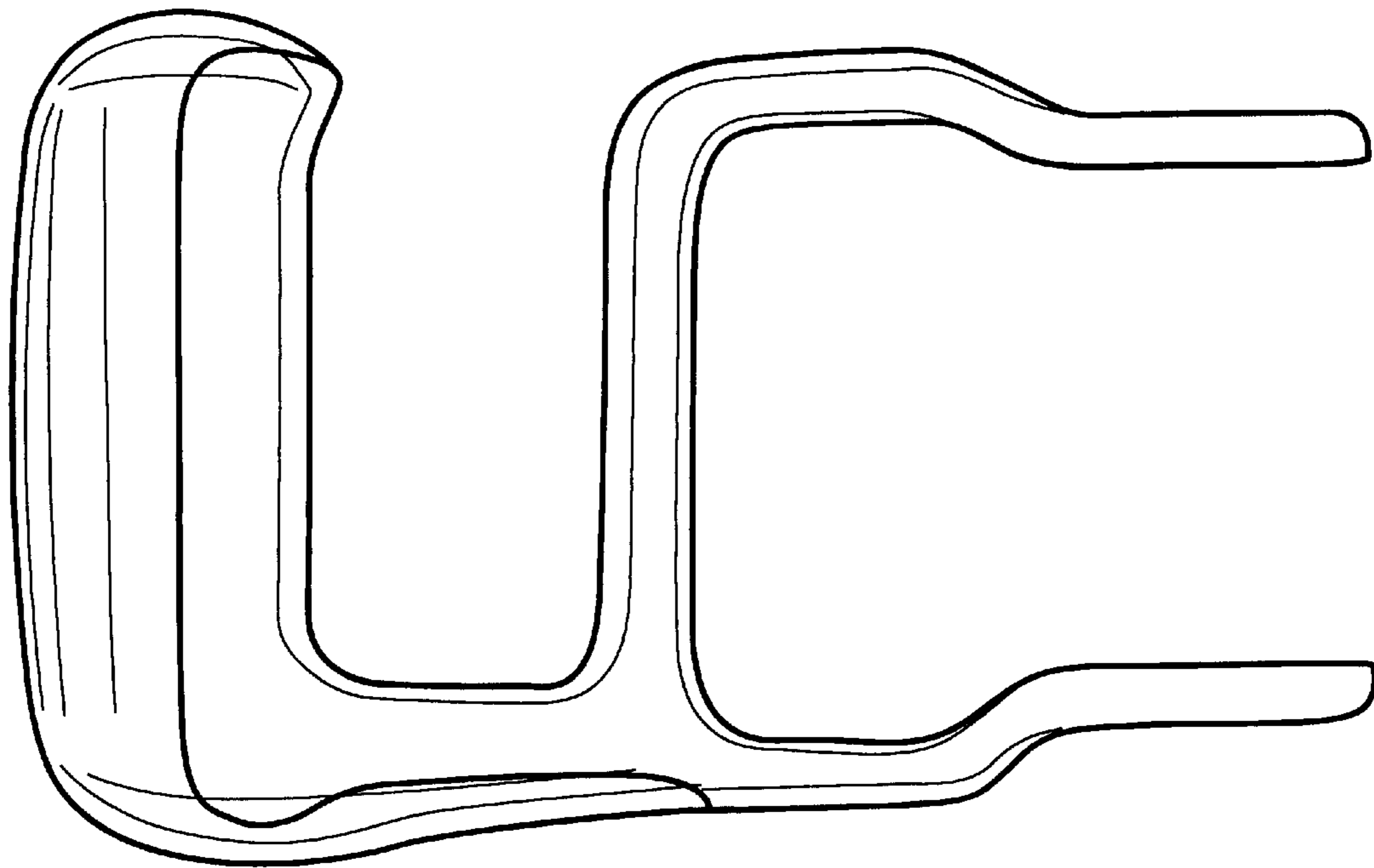


FIG. 12

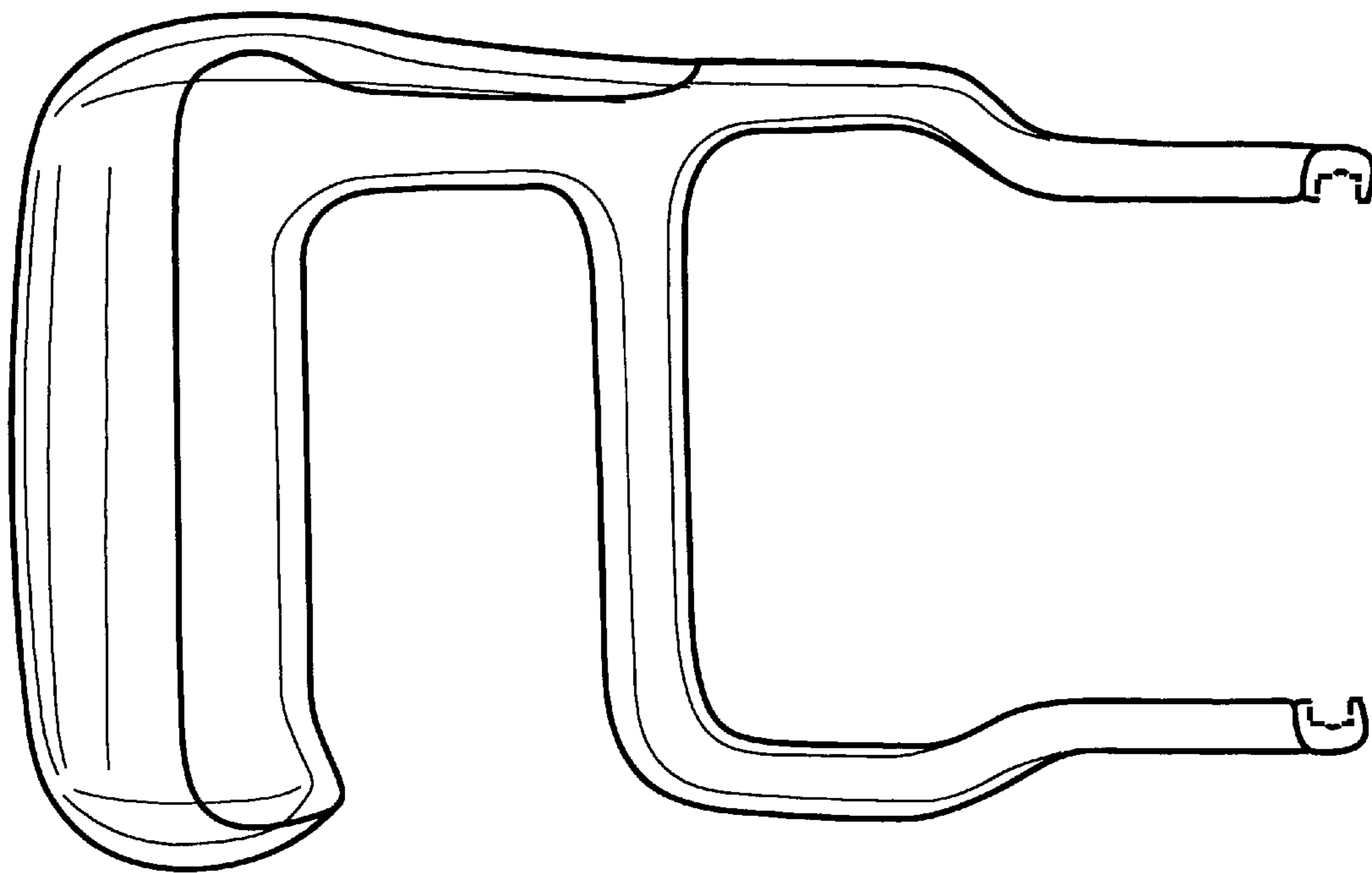


FIG. 13