



US00D534049S

(12) **United States Design Patent**
McElmury

(10) **Patent No.:** **US D534,049 S**

(45) **Date of Patent:** **** Dec. 26, 2006**

(54) **SOCKET CONTAINING DEVICE**

(75) Inventor: **Archie J. McElmury**, 5240 Keats Ave.
N., Lake Elmo, MN (US) 55042

(73) Assignee: **Archie J. McElmury**, Lake Elmo, MN
(US)

(**) Term: **14 Years**

(21) Appl. No.: **29/188,251**

(22) Filed: **Aug. 15, 2003**

(51) **LOC (8) Cl.** **08-05**

(52) **U.S. Cl.** **D8/71**

(58) **Field of Classification Search** D8/29,
D8/71, 14, 70, 72, 73, 74, 349, 354, 373,
D8/395; D15/28, 130, 132, 138, 139, 140,
D15/141; 173/132; D3/304; 211/70.1, 70.6;
248/127, 146, 156; D6/553, 570; 224/410;
206/349, 376, 377, 378; 81/177.4

See application file for complete search history.

(56) **References Cited**

U.S. PATENT DOCUMENTS

| | | | | | | |
|-----------|---|---|---------|-----------------|-------|----------|
| 1,438,900 | A | * | 12/1922 | Chase | | 211/70.6 |
| 1,534,537 | A | * | 4/1925 | Miller | | 206/378 |
| 1,671,159 | A | * | 5/1928 | Miller et al. | | 206/378 |
| 1,696,444 | A | * | 12/1928 | Miller et al. | | 206/378 |
| 1,970,359 | A | * | 8/1934 | Carroll | | 206/378 |
| 2,064,351 | A | * | 12/1936 | McNaught et al. | | 206/378 |
| 2,065,341 | A | * | 12/1936 | McNaught et al. | | D8/29 |
| 3,405,377 | A | | 10/1968 | Pierce | | |
| D256,425 | S | * | 8/1980 | Hayes | | D8/71 |
| 4,353,465 | A | | 10/1982 | Rado | | |
| 4,535,658 | A | | 8/1985 | Molinari | | |
| 4,591,817 | A | | 5/1986 | Miller | | |
| 4,627,315 | A | | 12/1986 | Lin | | |
| D292,170 | S | * | 10/1987 | Oates | | D8/71 |
| 4,711,353 | A | | 12/1987 | Rozmestor | | |
| 4,802,580 | A | | 2/1989 | Andersen | | |
| 4,826,021 | A | | 5/1989 | Burrell | | |
| 4,941,571 | A | | 7/1990 | Barrett | | |
| D310,770 | S | | 9/1990 | Zamarripa | | |
| D312,017 | S | | 11/1990 | Gould | | |

| | | | | | | |
|-----------|---|---|---------|-----------|-------|-------|
| D316,330 | S | | 4/1991 | Vicento | | |
| D317,985 | S | * | 7/1991 | Alm | | D8/71 |
| D319,348 | S | | 8/1991 | Monteleon | | |
| 5,050,733 | A | | 9/1991 | Brennan | | |
| 5,080,230 | A | | 1/1992 | Winnard | | |
| 5,154,544 | A | | 10/1992 | Arendt | | |
| 5,172,612 | A | | 12/1992 | Hansson | | |
| 5,195,636 | A | | 3/1993 | Wridt | | |
| 5,228,570 | A | | 7/1993 | Robinson | | |
| 5,259,278 | A | | 11/1993 | Leas | | |
| 5,284,245 | A | | 2/1994 | Slivon | | |

(Continued)

Primary Examiner—T. Chase Nelson

(74) *Attorney, Agent, or Firm*—Patterson, Thuente, Skaar & Christensen

(57) **CLAIM**

The ornamental design for a socket containing device, as shown and described.

DESCRIPTION

FIG. 1 is a perspective view of a socket containing device. FIG. 2 is a slightly reduced scale top view of the socket containing device of FIG. 1.

FIG. 3 is a slightly reduced scale bottom view of the socket containing device of FIG. 1.

FIG. 4 is a front view of the socket containing device of FIG. 1.

FIG. 5 is a back view of the socket containing device of FIG. 1.

FIG. 6 is a first side view of the socket containing device of FIG. 1.

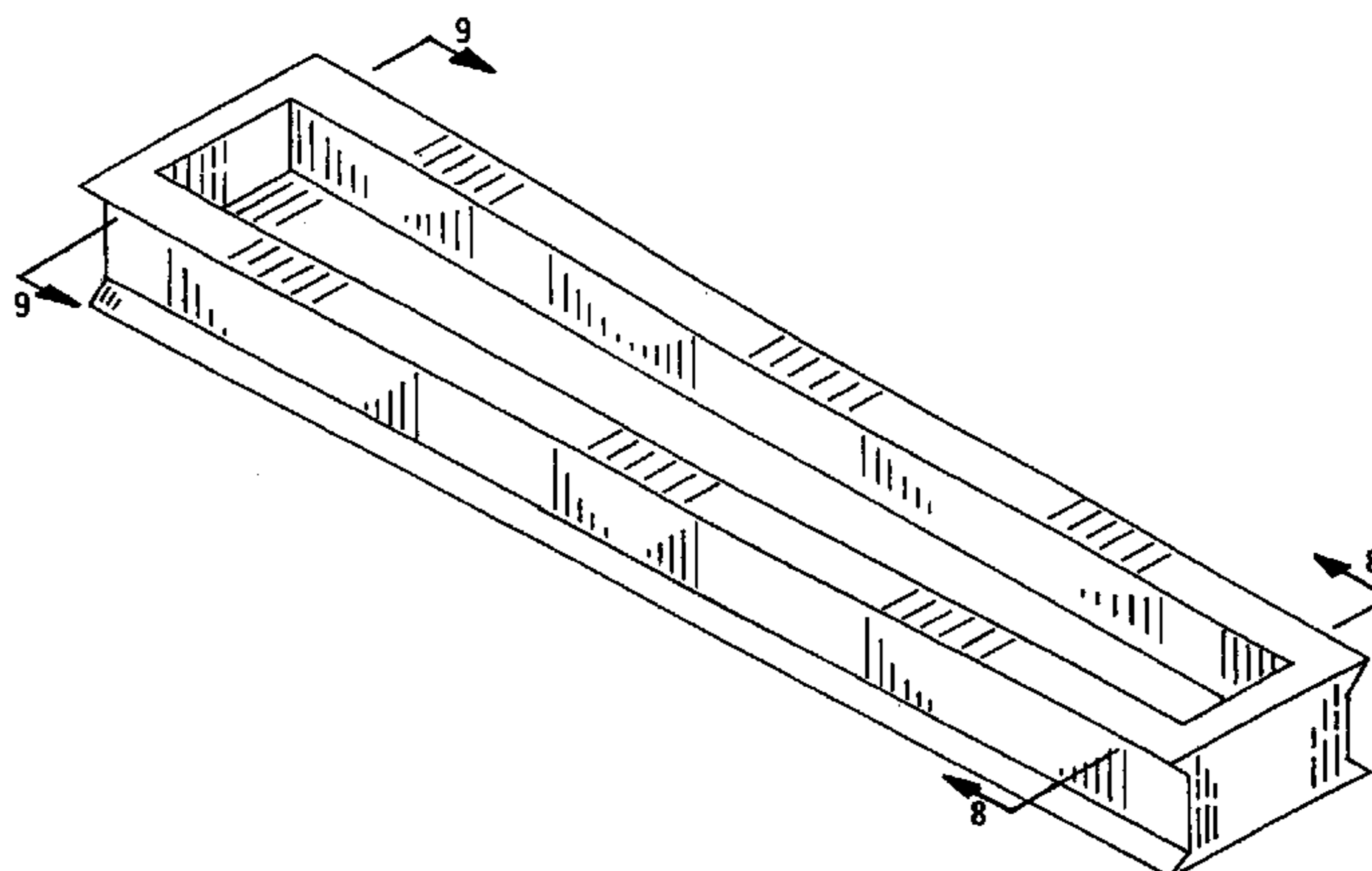
FIG. 7 is a second side view of the socket containing device of FIG. 1.

FIG. 8 is a front cross-sectional view taken along line 8—8 of the socket containing device of FIG. 1; and,

FIG. 9 is a back cross-sectional view taken along line 9—9 of the socket containing device of FIG. 1.

The broken line showing of environmental structure in FIGS. 8 and 9 is for illustrative purposes only and forms no part of the claimed design.

1 Claim, 5 Drawing Sheets



US D534,049 S

Page 2

U.S. PATENT DOCUMENTS

| | | | | | | | |
|-------------|-----------|-------------|----------|-----------------|-----------|----------------|----------|
| 5,313,181 A | 5/1994 | Negus | | 6,095,329 A | 8/2000 | Kao | |
| 5,316,143 A | 5/1994 | Horn | | 6,098,799 A | 8/2000 | Lee | |
| 5,343,181 A | 8/1994 | Negus | | 6,109,491 A | 8/2000 | Aronson | |
| D355,554 S | 2/1995 | Phelps | | 6,168,018 B1 | 1/2001 | Ramsey | |
| D356,462 S | 3/1995 | Ko | | D443,160 S | 6/2001 | Ernst | |
| 5,398,823 A | 3/1995 | Anders | | 6,250,466 B1 | 6/2001 | Ernst | |
| 5,405,004 A | 4/1995 | Vest et al. | | 6,364,109 B1 | 4/2002 | Blackwell | |
| 5,405,025 A | 4/1995 | Melrose | | 6,390,298 B1 | 5/2002 | Garro | |
| 5,407,063 A | 4/1995 | Warner | | 6,450,338 B1 | 9/2002 | Chen | |
| D360,529 S | 7/1995 | Balzen | | 6,494,329 B1 | 12/2002 | Dembicks | |
| 5,456,359 A | * 10/1995 | Horn | 206/378 | 6,499,211 B1 | 12/2002 | Fahley | |
| D364,526 S | 11/1995 | Laufenberg | | 6,508,360 B1 | 1/2003 | Chen | |
| 5,467,874 A | 11/1995 | Whitaker | | 6,614,337 B1 | 9/2003 | Winnard | |
| 5,500,631 A | 3/1996 | Negus | | 6,637,605 B1 | * 10/2003 | Ernst | 211/70.6 |
| 5,501,342 A | 3/1996 | Geibel | | 6,698,318 B1 | * 3/2004 | Peters | 81/177.4 |
| 5,511,673 A | 4/1996 | Folk | | D492,845 S | * 7/2004 | McElmury | D3/304 |
| 5,544,747 A | * 8/1996 | Horn | 206/378 | 6,808,067 B1 | * 10/2004 | Benatz et al. | 206/378 |
| 5,560,480 A | 10/1996 | Singleton | | 6,808,077 B1 | 10/2004 | McConnell | |
| 5,573,116 A | 11/1996 | Zink | | 6,923,317 B1 | * 8/2005 | Coleman et al. | 206/378 |
| 5,743,394 A | 4/1998 | Martin | | 6,976,582 B1 | * 12/2005 | Chen | |
| 5,743,395 A | 4/1998 | Backer | | 2002/0121492 A1 | 9/2002 | McConnell | |
| 5,799,789 A | 9/1998 | Ritchie | | 2002/0130231 A1 | 9/2002 | Winnard | |
| D403,860 S | 1/1999 | Ritchie | | 2002/0174748 A1 | * 11/2002 | Peters | 81/177.4 |
| 5,855,284 A | * 1/1999 | Dembicks | 211/70.6 | 2003/0019775 A1 | 1/2003 | Ernst | |
| 5,855,285 A | 1/1999 | Laird | | 2003/0024837 A1 | 2/2003 | Chen | |
| 5,901,620 A | 5/1999 | Arnold | | 2003/0025056 A1 | 2/2003 | Atchley | |
| 5,931,318 A | * 8/1999 | Shao | 211/70.6 | 2003/0029284 A1 | 2/2003 | Malchus | |
| 6,006,906 A | 12/1999 | Winnard | | 2003/0061914 A1 | * 4/2003 | Benatz et al. | 81/177.4 |
| D418,394 S | * 1/2000 | King | D8/354 | 2003/0230175 A1 | * 12/2003 | Benatz et al. | 81/177.4 |
| 6,070,745 A | 6/2000 | Dembicks | | 2004/0031710 A1 | * 2/2004 | K | 206/378 |
| 6,073,766 A | 6/2000 | Winnard | | 2004/0050735 A1 | * 3/2004 | Coleman et al. | 206/378 |
| 6,092,655 A | 7/2000 | Ernst | | 2006/0070902 A1 | * 4/2006 | Tuan-Mu et al. | |
| 6,092,656 A | 7/2000 | Ernst | | 2006/0118500 A1 | * 6/2006 | Chen | |

* cited by examiner

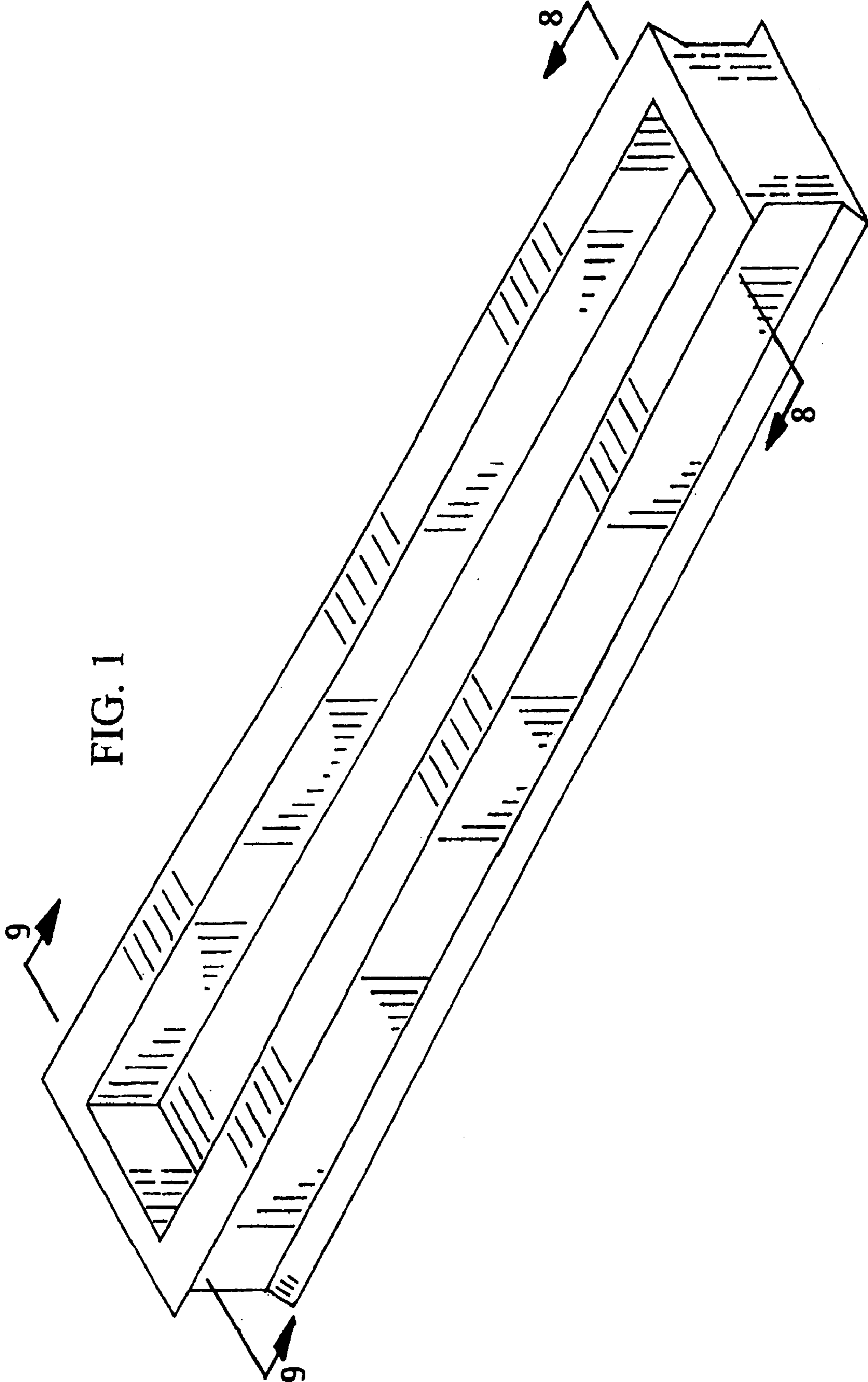


FIG. 2

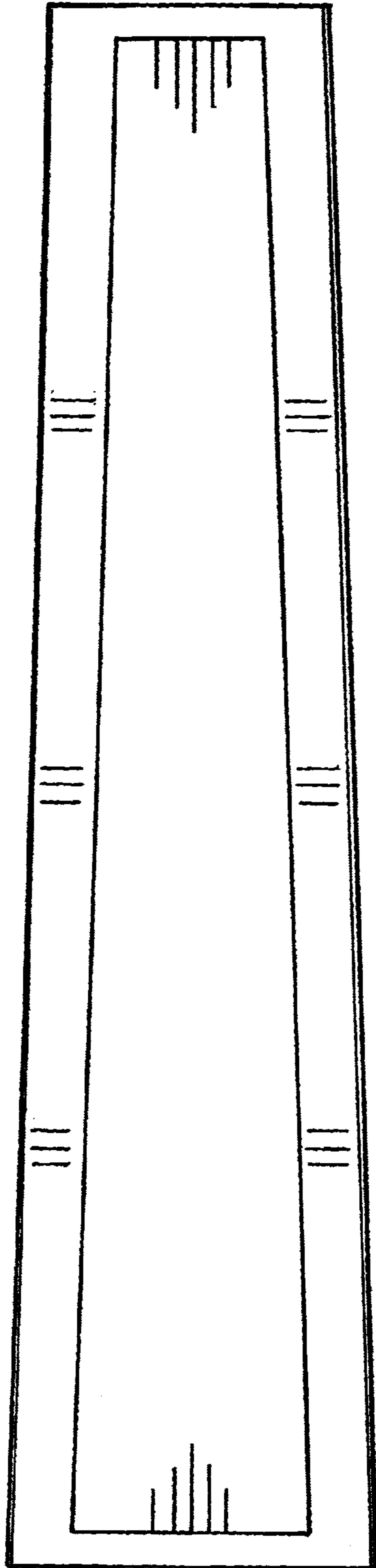


FIG. 3

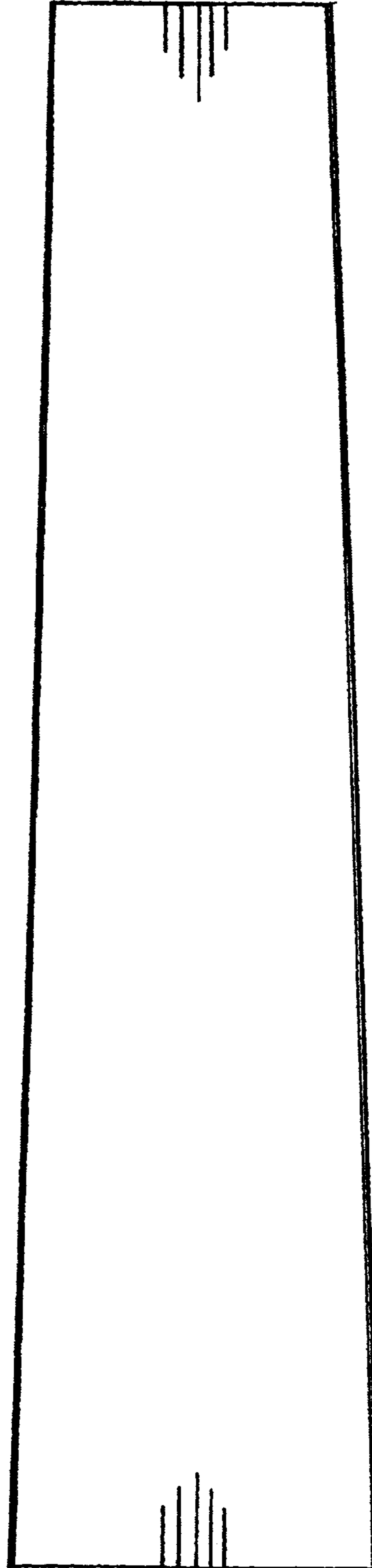


FIG. 5

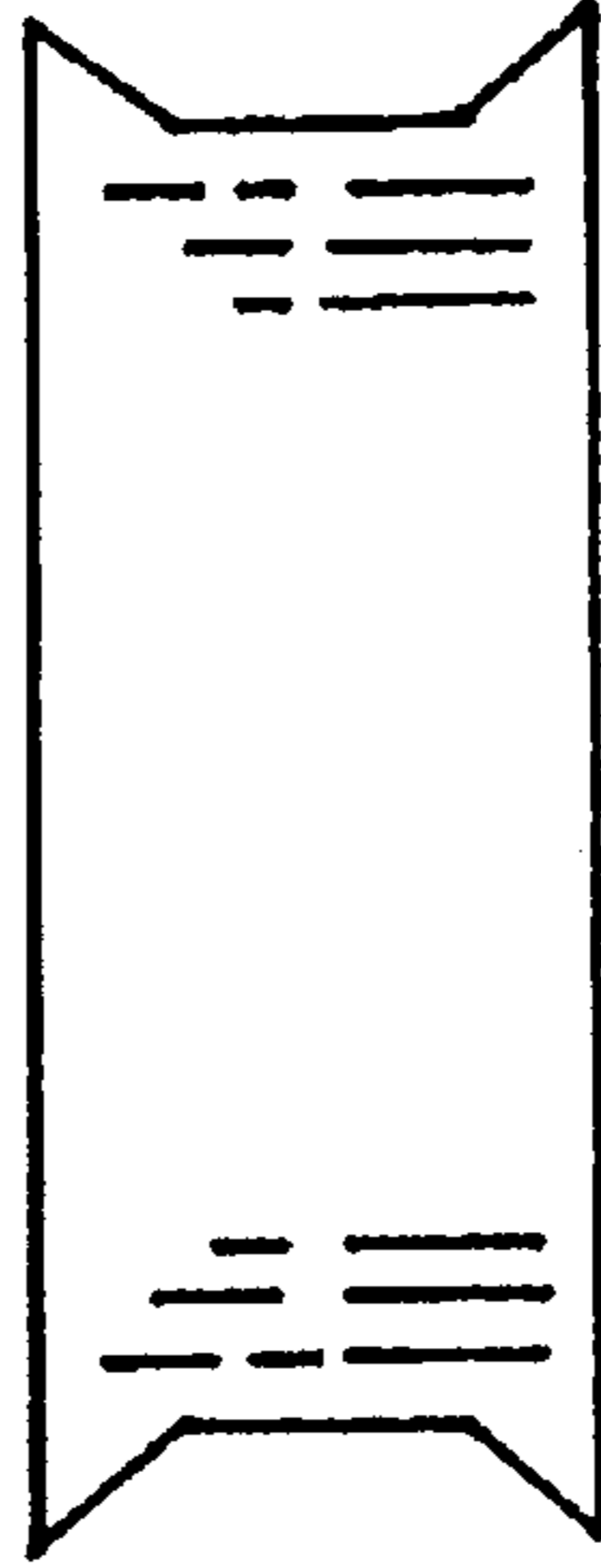


FIG. 4

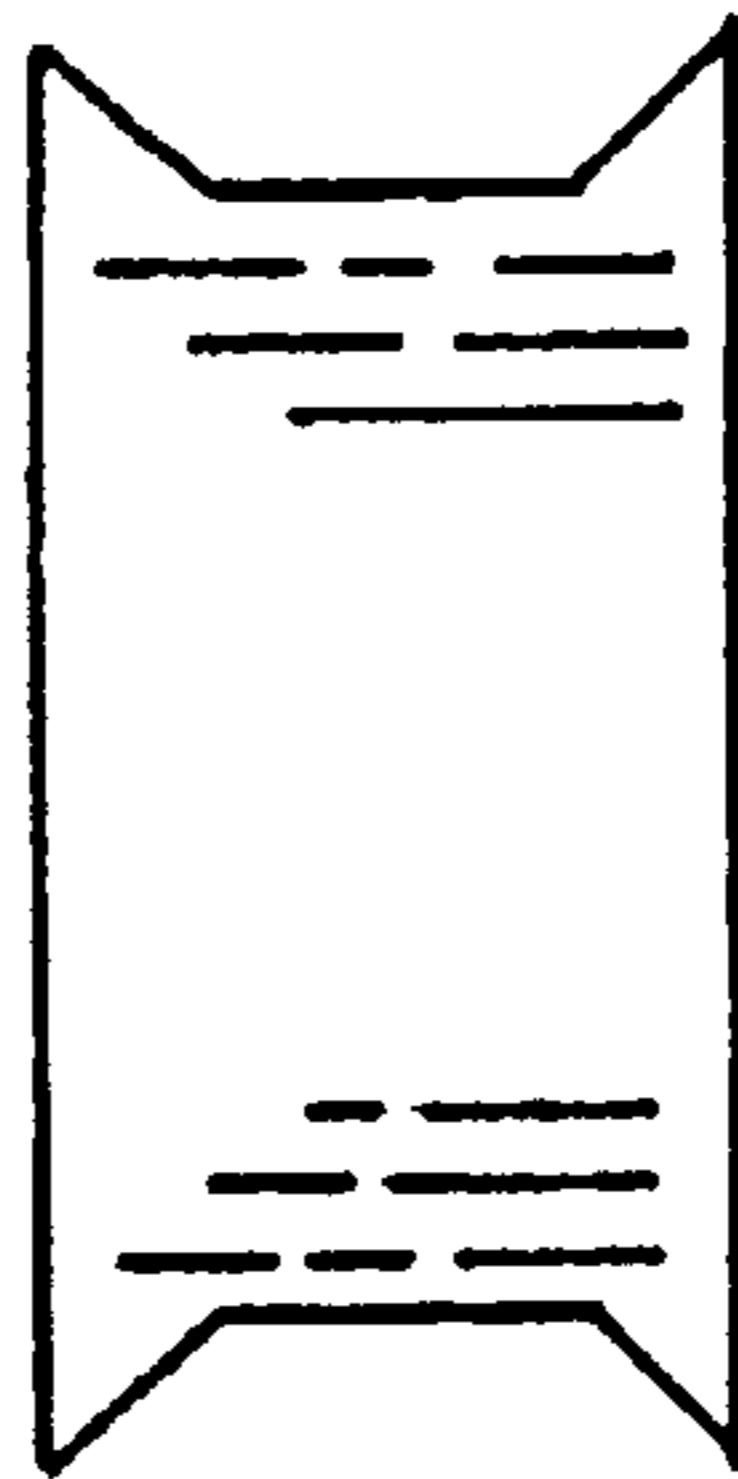


FIG. 6

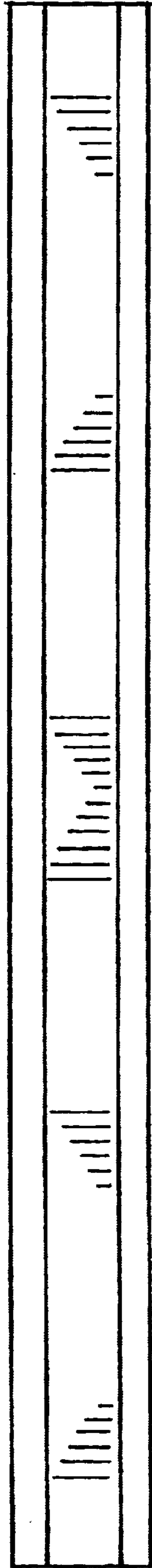


FIG. 7

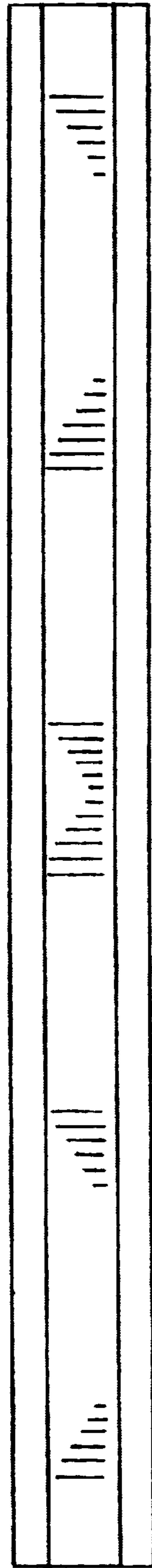


FIG. 9



FIG. 8

