



US00D534044S

(12) **United States Design Patent** (10) **Patent No.:** **US D534,044 S**
Zak (45) **Date of Patent:** **** Dec. 26, 2006**

(54) **PARTICULATE MATERIAL SPREADER**

(75) Inventor: **Zvi Zak**, Herzlia (IL)

(73) Assignee: **Keter Plastic Ltd.**, Herzelyia (IL)

(**) Term: **14 Years**

(21) Appl. No.: **29/222,262**

(22) Filed: **Jan. 28, 2005**

(51) **LOC (8) Cl.** **08-01**

(52) **U.S. Cl.** **D8/2; D15/13**

(58) **Field of Classification Search** D15/13;
D8/2; D32/17; 239/654, 663, 686, 526, 375,
239/379, 652, 653, 683, 154, 687, 668, 681;
406/102, 98, 135; 222/75, 324, 473, 175
See application file for complete search history.

(56) **References Cited**

U.S. PATENT DOCUMENTS

3,157,402	A	*	11/1964	Love, Jr.	239/686
3,227,461	A	*	1/1966	Love, Jr.	239/686
D232,802	S	*	9/1974	Steinkamp et al.	D32/17
3,979,071	A	*	9/1976	Biggs, Jr.	239/653
3,993,225	A	*	11/1976	Manni	222/324
4,071,170	A	*	1/1978	Gunzel et al.	406/98
5,119,993	A	*	6/1992	Gunzel et al.	239/654
5,123,598	A	*	6/1992	Courtney et al.	239/686
D327,823	S	*	7/1992	Demarest	D8/2

D333,951	S	*	3/1993	Courtney et al.	D8/2
5,285,971	A	*	2/1994	Havlovitz	239/686
5,409,166	A	*	4/1995	Gunzel et al.	239/142
D387,638	S	*	12/1997	DeLaby et al.	D8/2

* cited by examiner

Primary Examiner—Stella Reid

Assistant Examiner—Mark Goodwin

(74) *Attorney, Agent, or Firm*—Browdy and Neimark, PLLC

(57) **CLAIM**

The ornamental design for a particulate material spreader, as shown and described.

DESCRIPTION

FIG. 1 is a left side view of the particulate material spreader showing our new design;

FIG. 2 is a front view thereof;

FIG. 3 is a top view thereof;

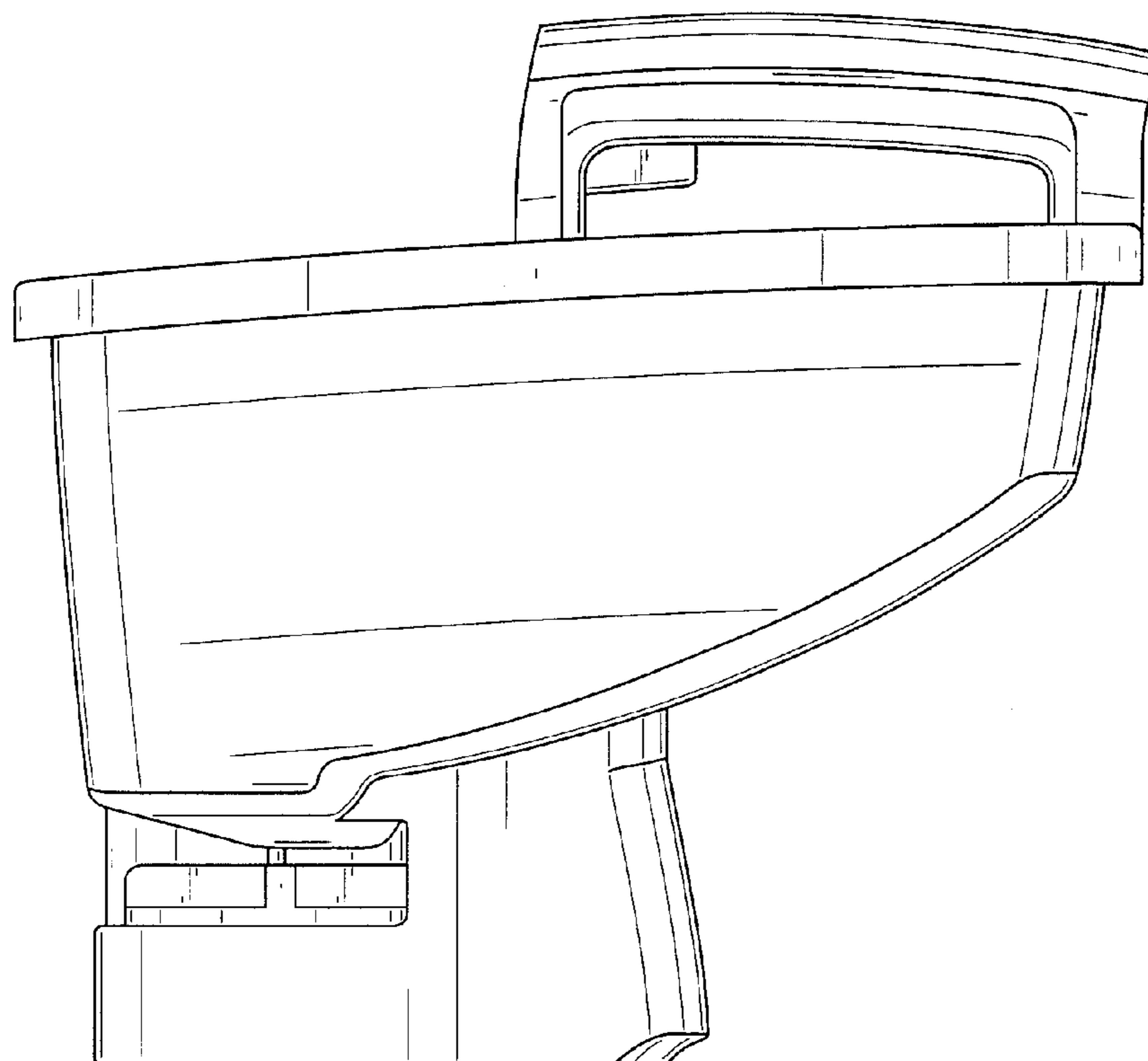
FIG. 4 is a perspective view thereof;

FIG. 5 is a front isometric view shown in stacked condition; and,

FIG. 6 is a rear isometric view thereof shown in stacked condition.

The features depicted by broken lines in FIGS. 5 and 6 are for illustrative purposes only and form no part of the claimed ornamental design.

1 Claim, 6 Drawing Sheets



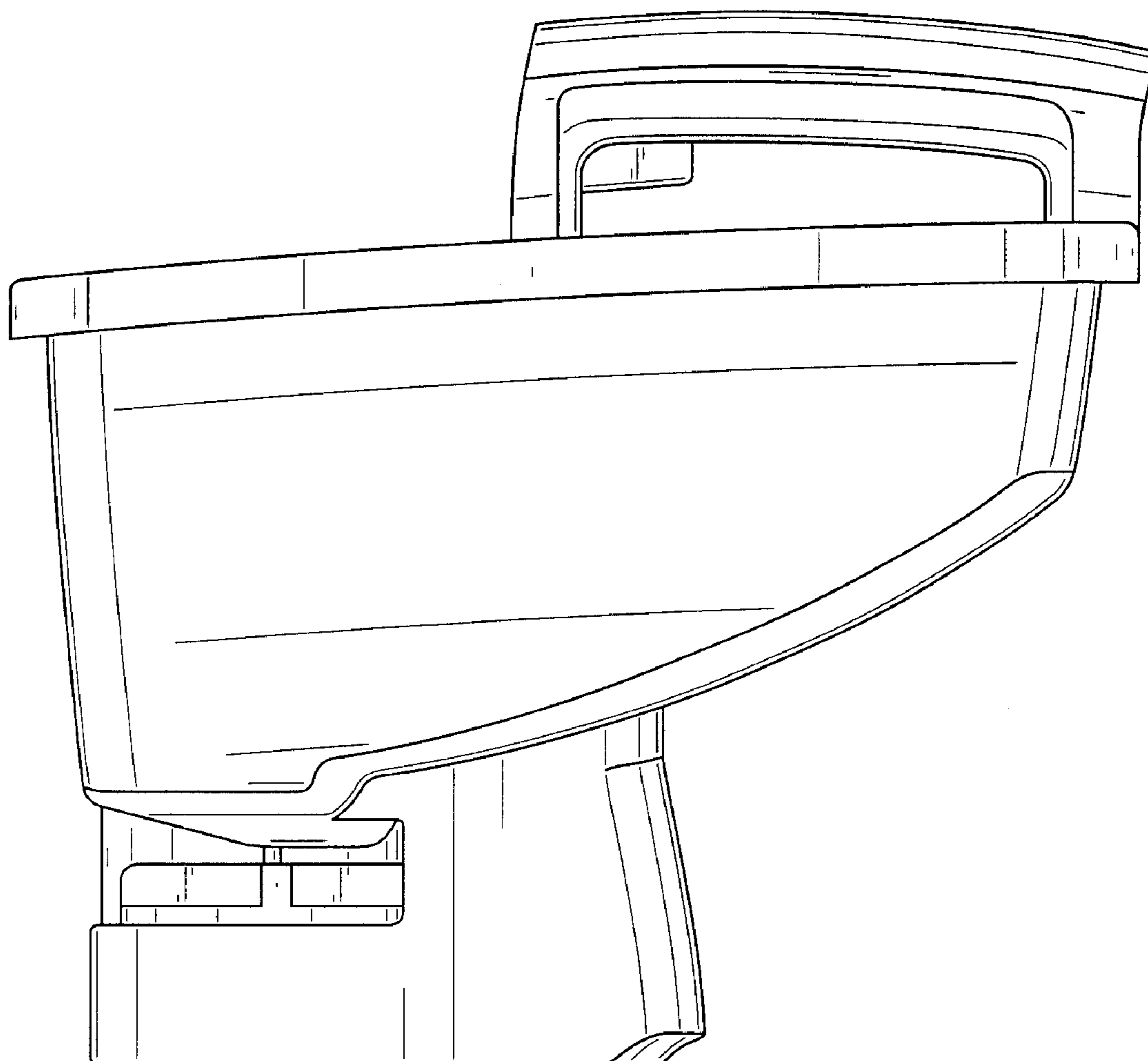


FIG. 1

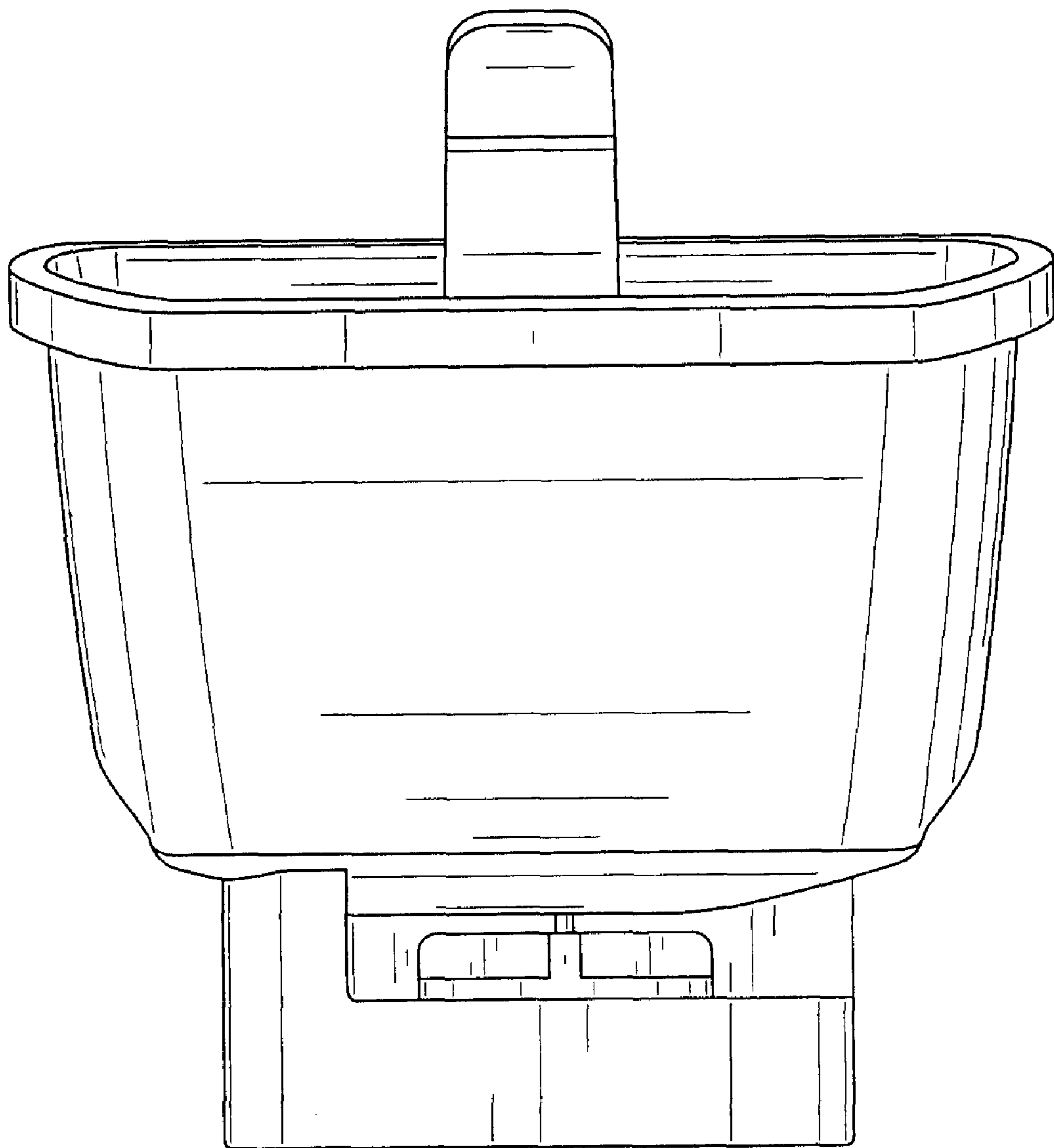


FIG. 2

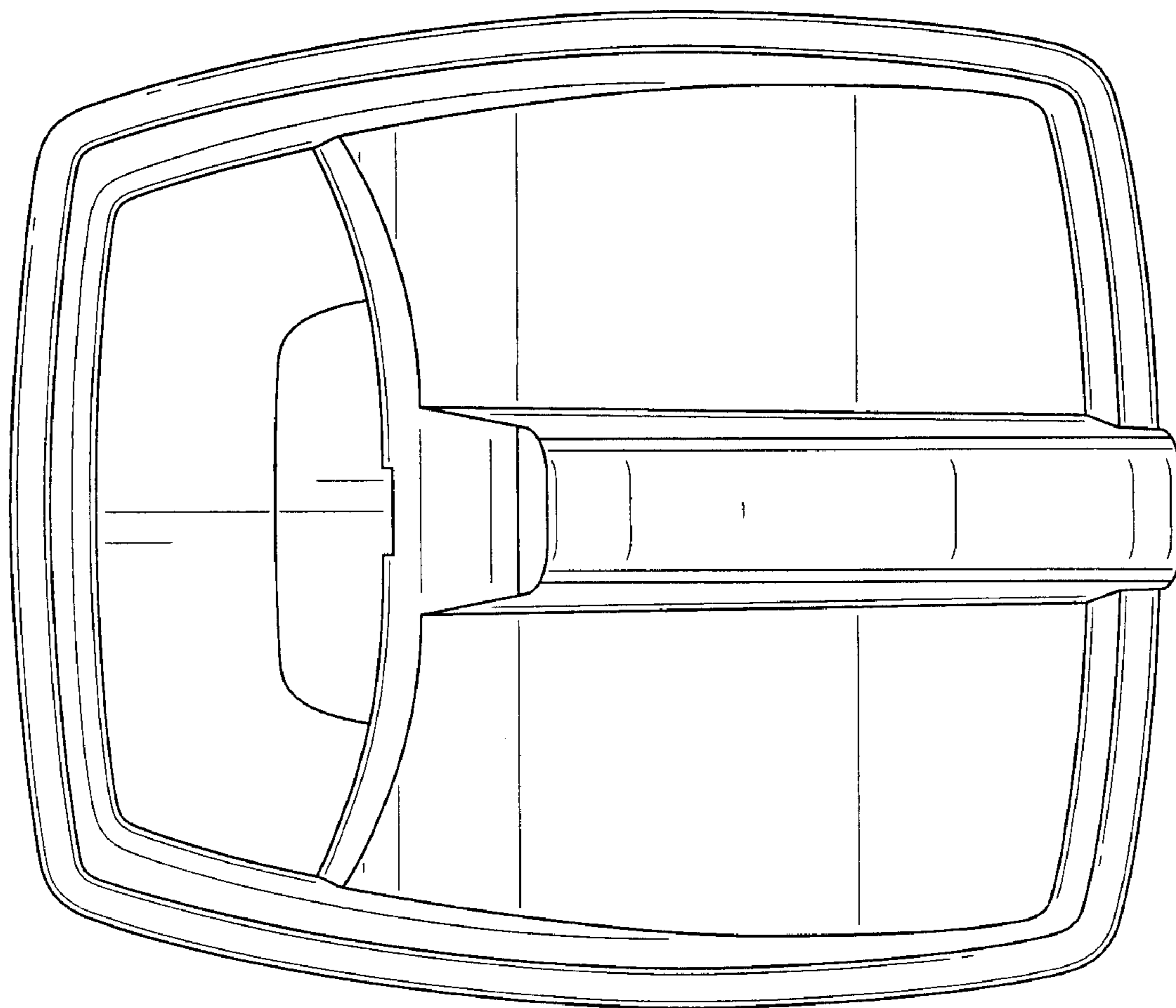


FIG. 3

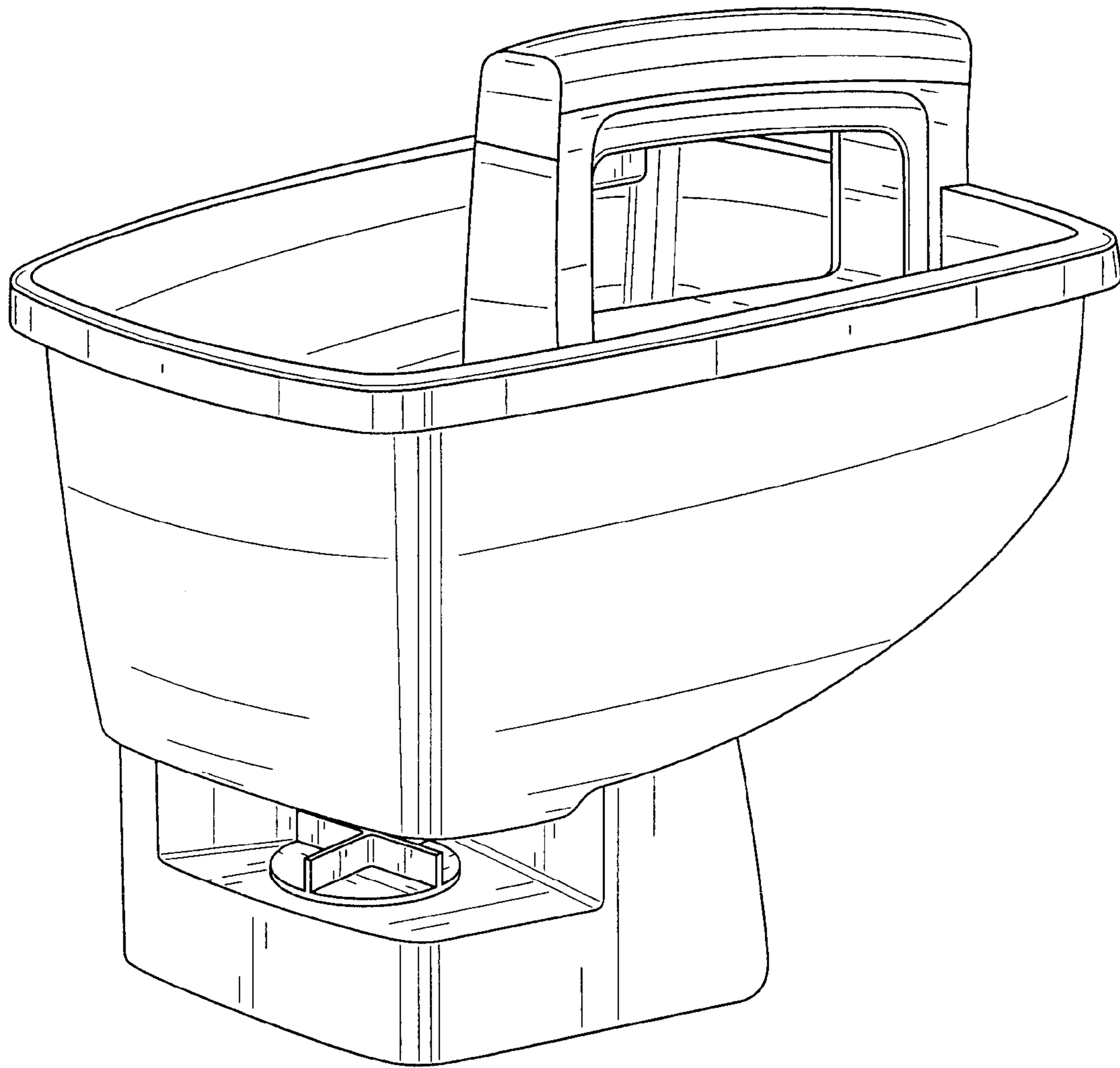


FIG. 4

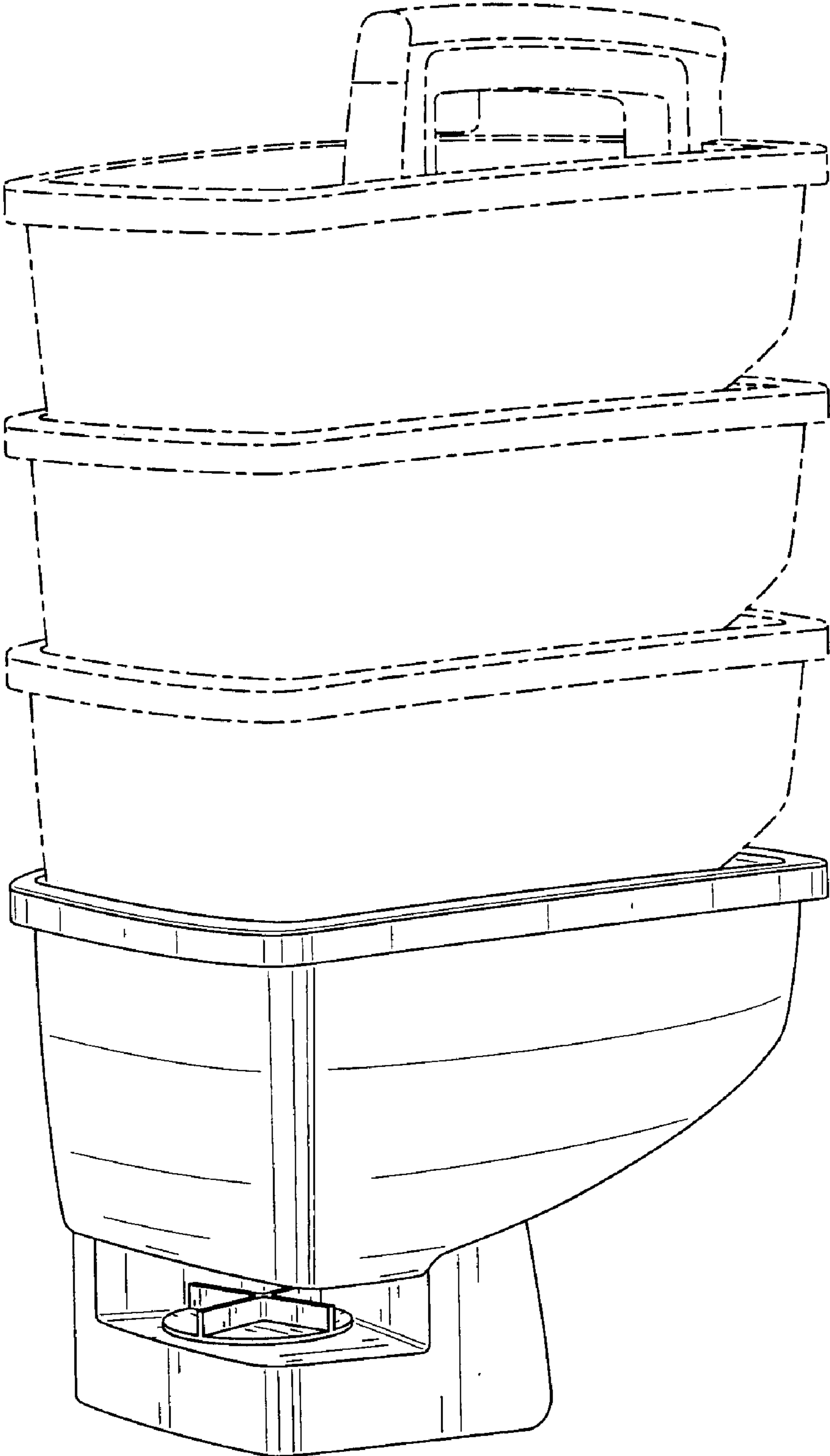


FIG. 5

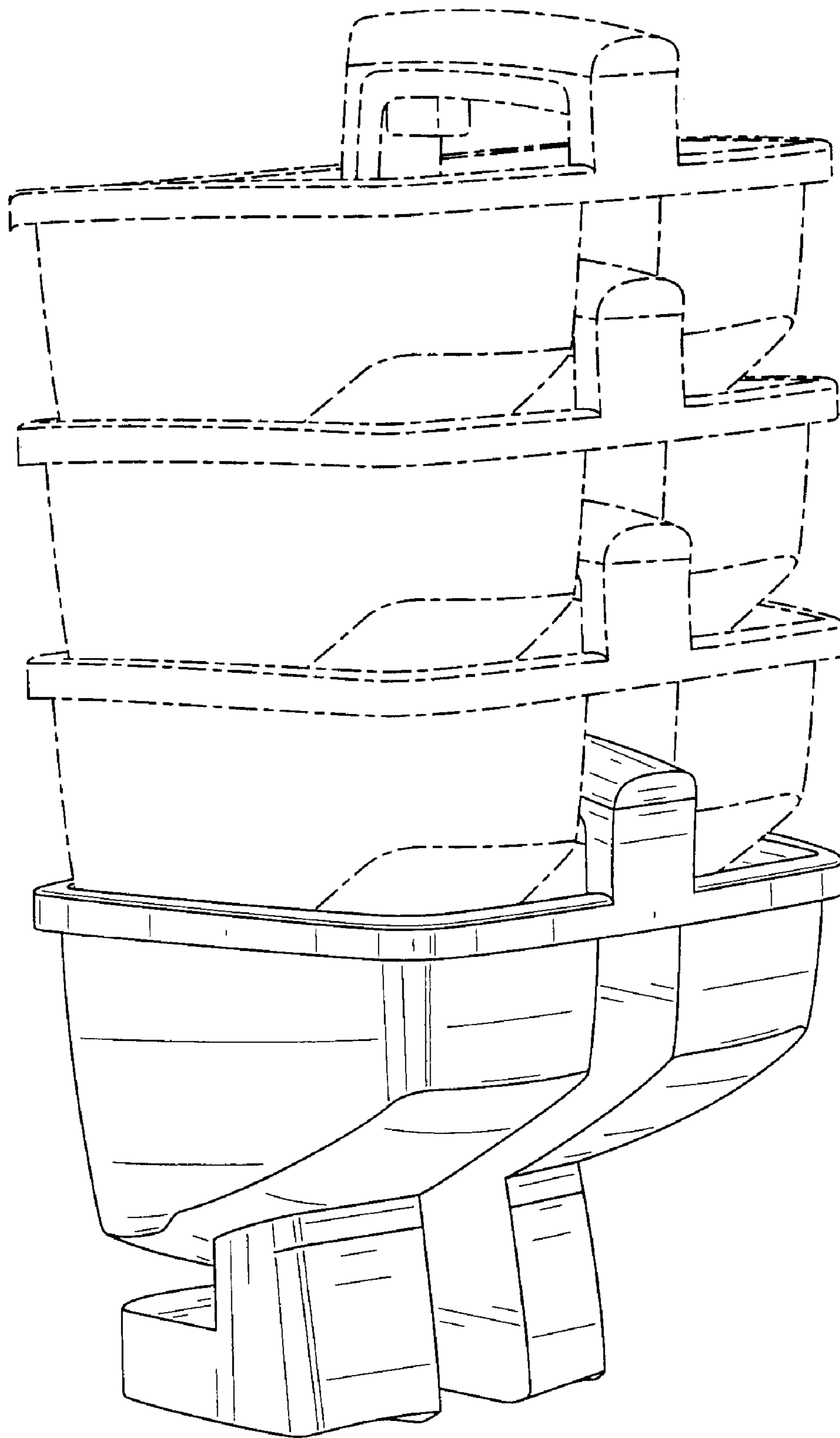


FIG. 6