



US00D534042S

(12) **United States Design Patent**  
**Bodum**

(10) **Patent No.:** **US D534,042 S**

(45) **Date of Patent:** **\*\* Dec. 26, 2006**

(54) **COMBINED SALT AND PEPPER GRINDER**

D309,240 S \* 7/1990 Griffin ..... D7/679

D352,640 S \* 11/1994 Kibbe ..... D7/679

(75) Inventor: **Jørgen Bodum**, St. Niklausen (CH)

D405,326 S \* 2/1999 Bounds et al. .... D7/679

D464,852 S \* 10/2002 Tang ..... D7/679

(73) Assignee: **Pi-Design AG**, Triengen (CH)

\* cited by examiner

(\*\*) Term: **14 Years**

*Primary Examiner*—Terry A. Wallace

(21) Appl. No.: **29/235,949**

(74) *Attorney, Agent, or Firm*—Cowan, Liebowitz & Latman, P.C.

(22) Filed: **Aug. 9, 2005**

(57) **CLAIM**

(30) **Foreign Application Priority Data**

The ornamental design for a combined salt and pepper grinder, as shown and described.

Feb. 10, 2005 (DE) ..... DA 2005 00048

(51) **LOC (8) Cl.** ..... **07-06**

**DESCRIPTION**

(52) **U.S. Cl.** ..... **D7/679; D7/596**

(58) **Field of Classification Search** ..... D7/679,  
D7/590–597, 372–374, 383, 384; 241/168,  
241/169, 169.1, 262, 273.1–273.4, 286; 222/143.1–143.9,  
222/480

FIG. 1 is a perspective view of the combined salt and pepper grinder showing my design thereof;  
FIG. 2 is a front view thereof;  
FIG. 3 is a rear view thereof;  
FIG. 4 is a left side view thereof;  
FIG. 5 is a right side view thereof;  
FIG. 6 is a top view thereof; and,  
FIG. 7 is a bottom view thereof.

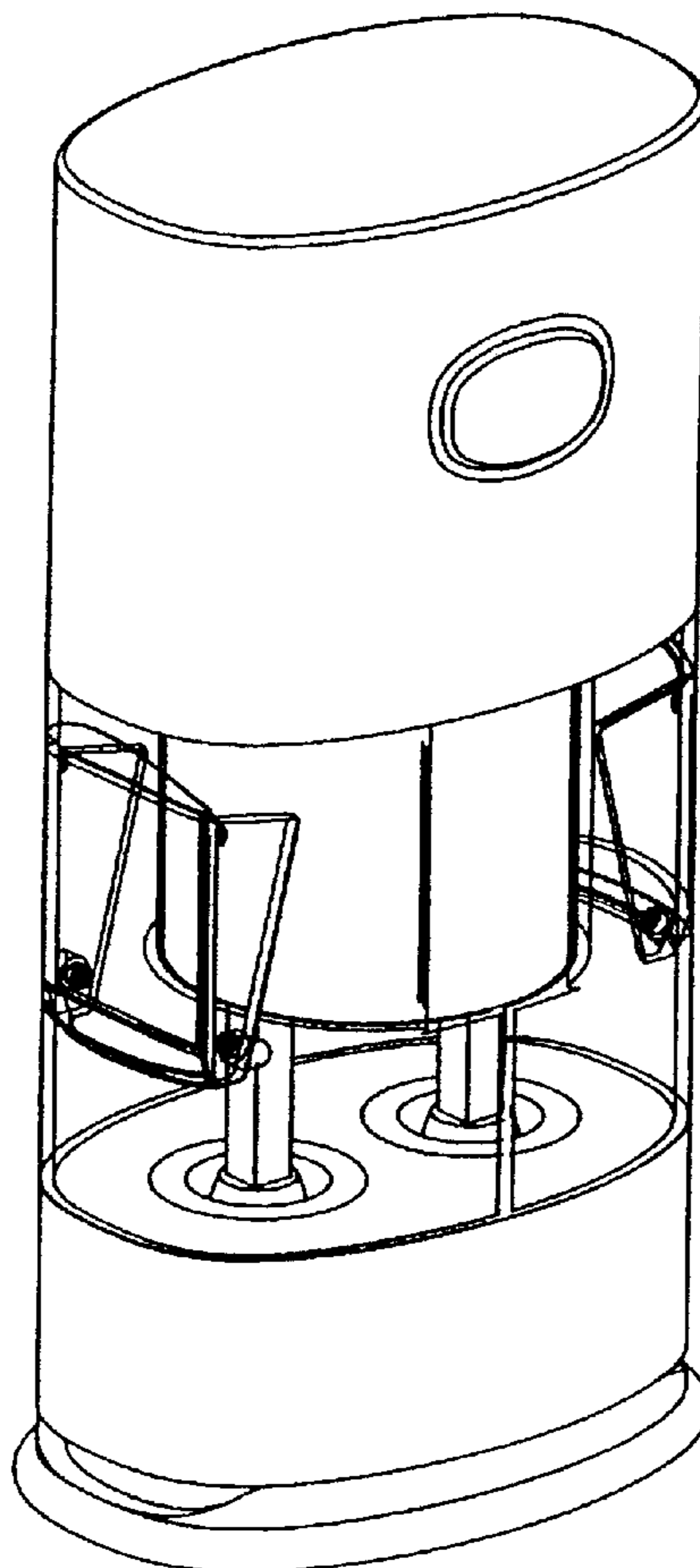
See application file for complete search history.

(56) **References Cited**

**U.S. PATENT DOCUMENTS**

D287,209 S \* 12/1986 Bounds ..... D7/679

**1 Claim, 7 Drawing Sheets**



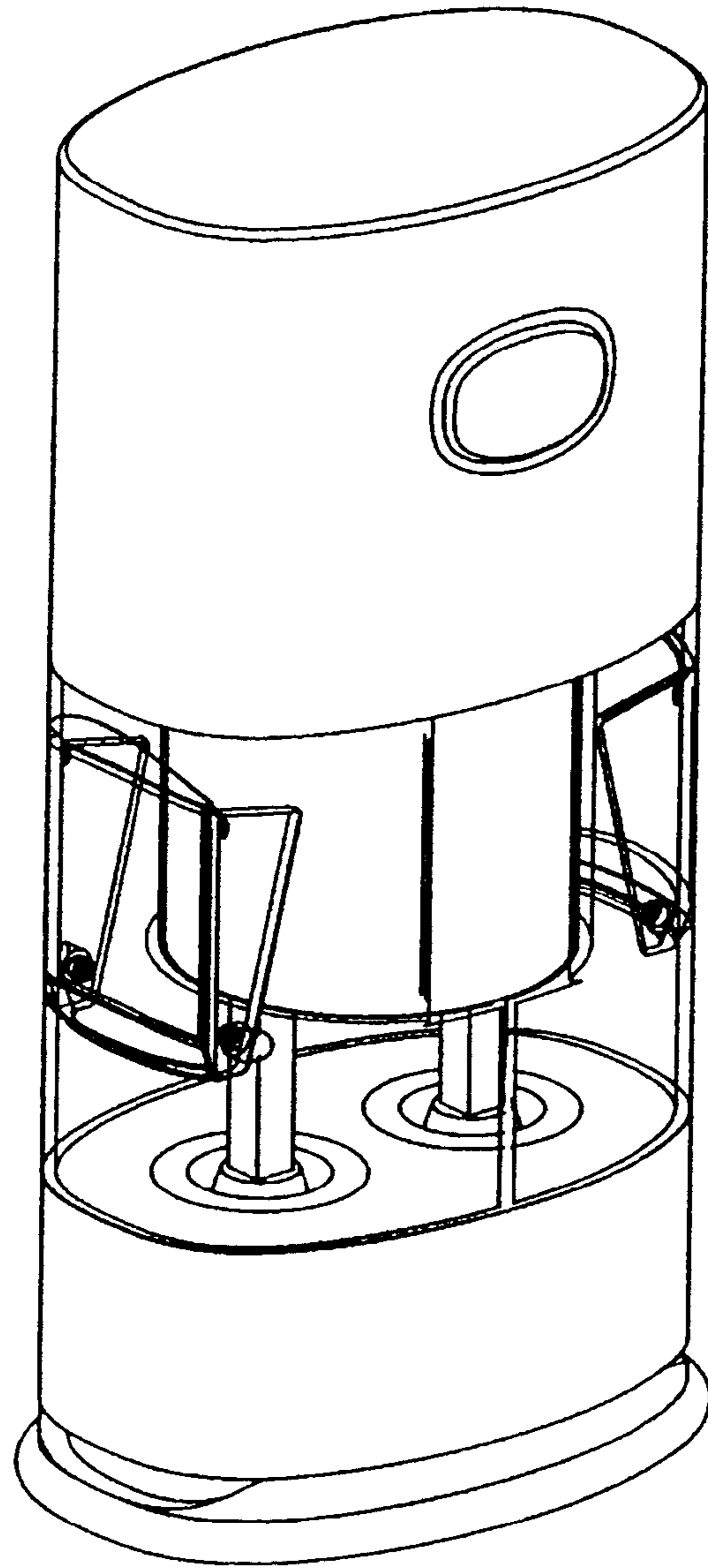


FIG. 1

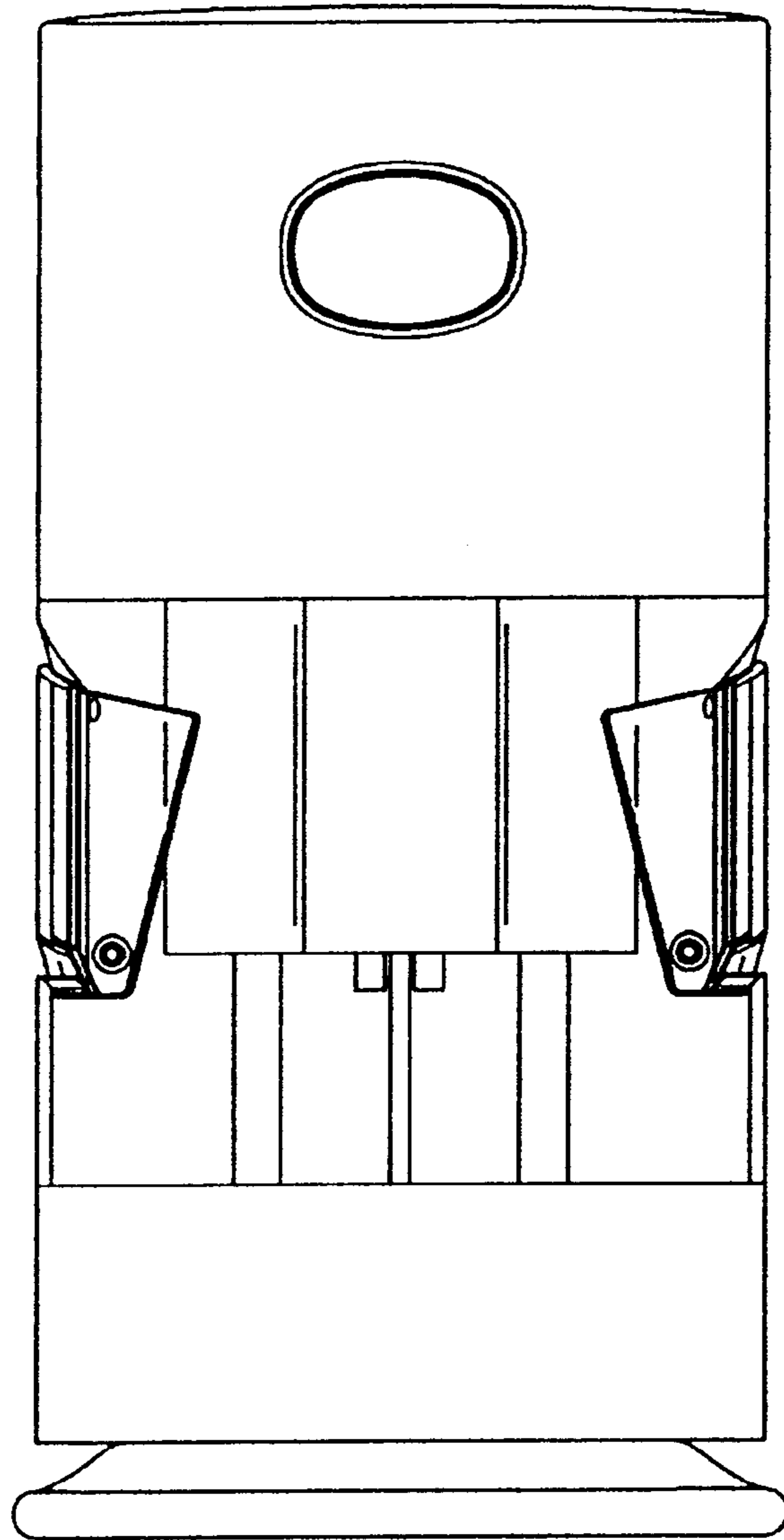


FIG. 2

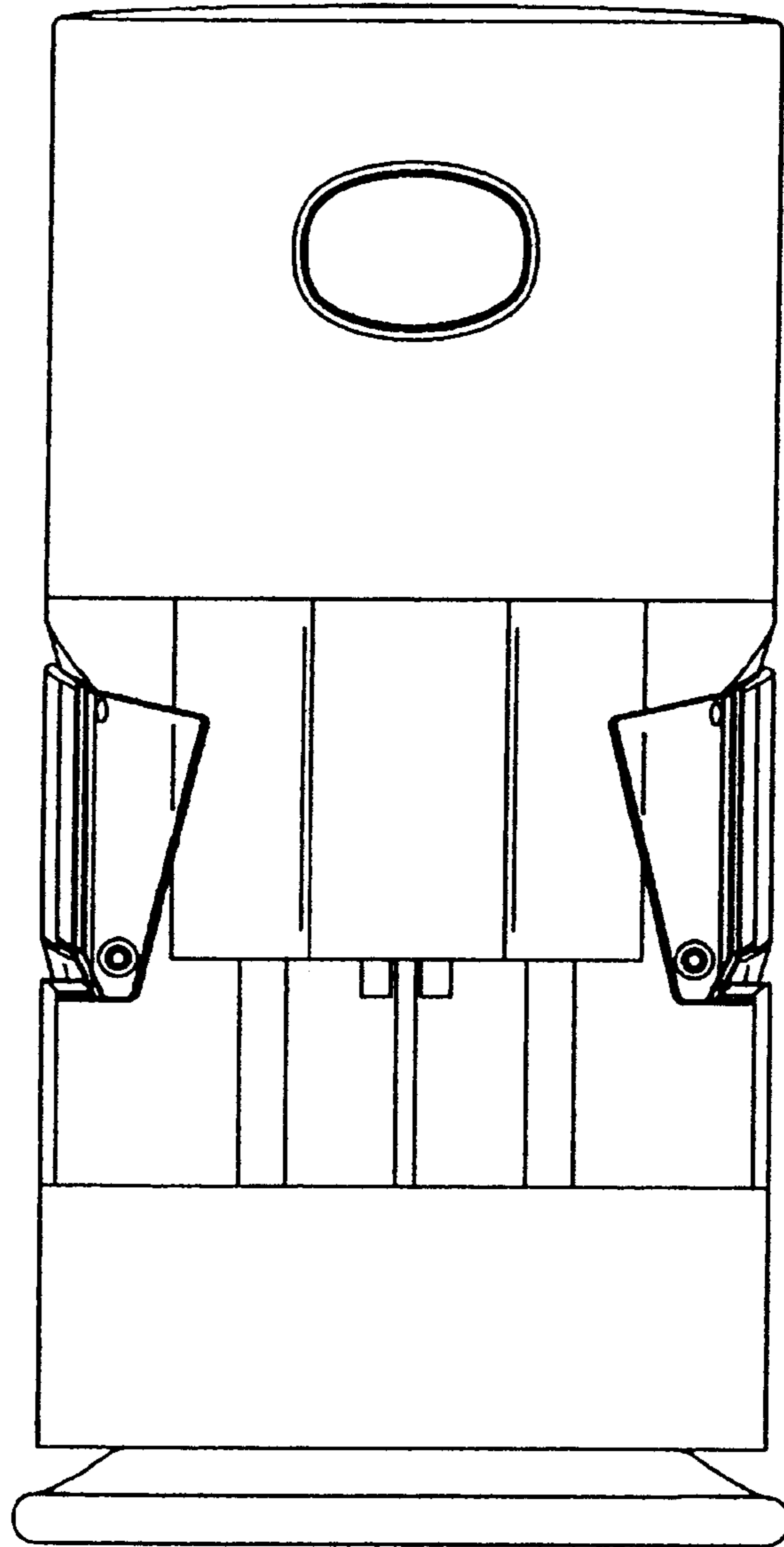


FIG. 3

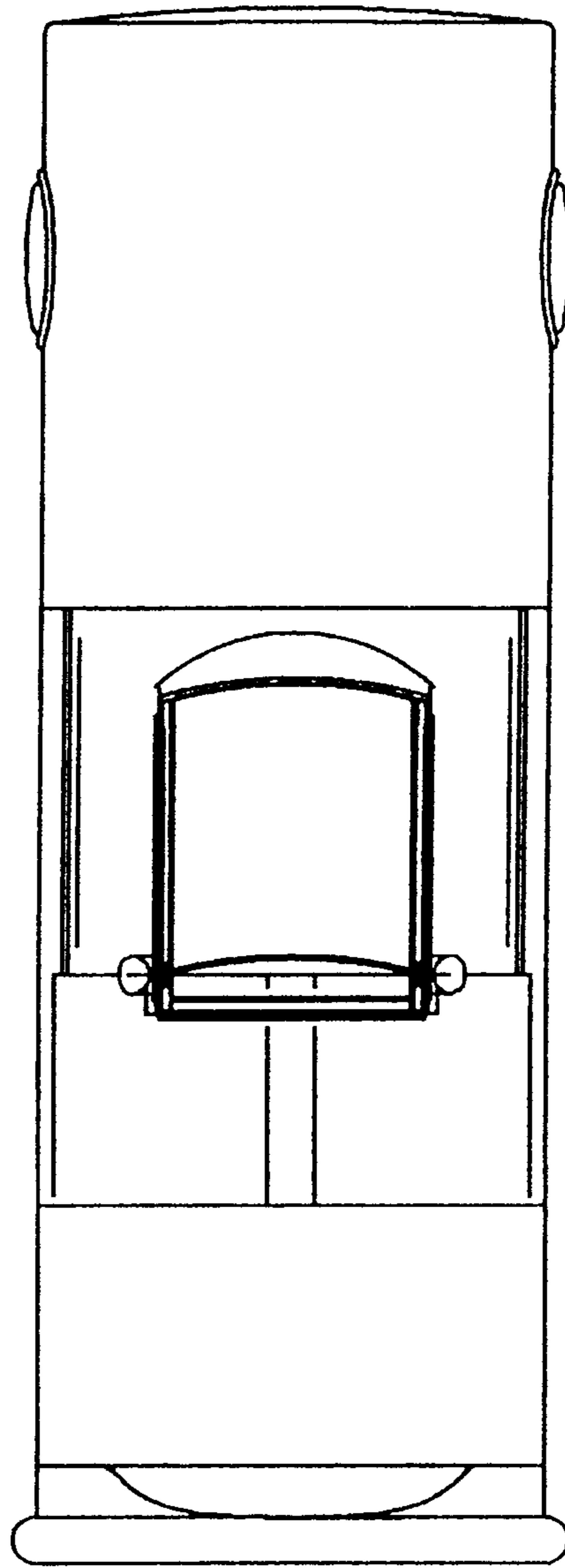


FIG. 4

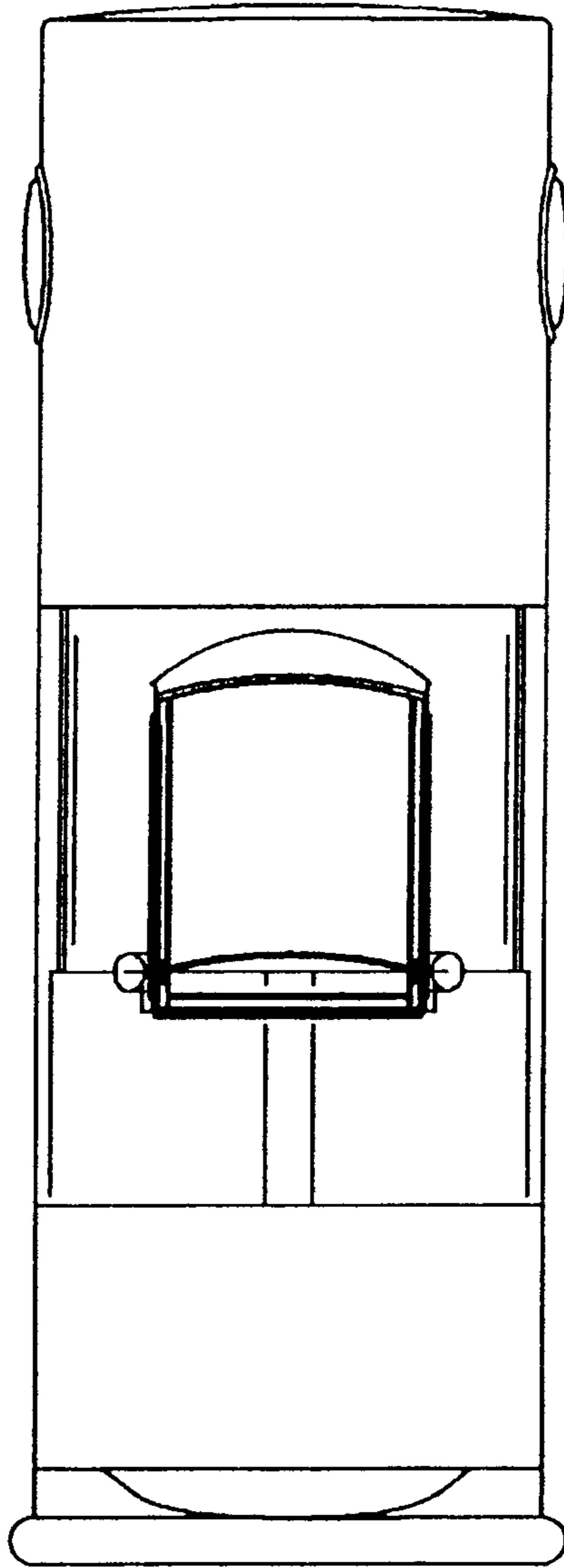
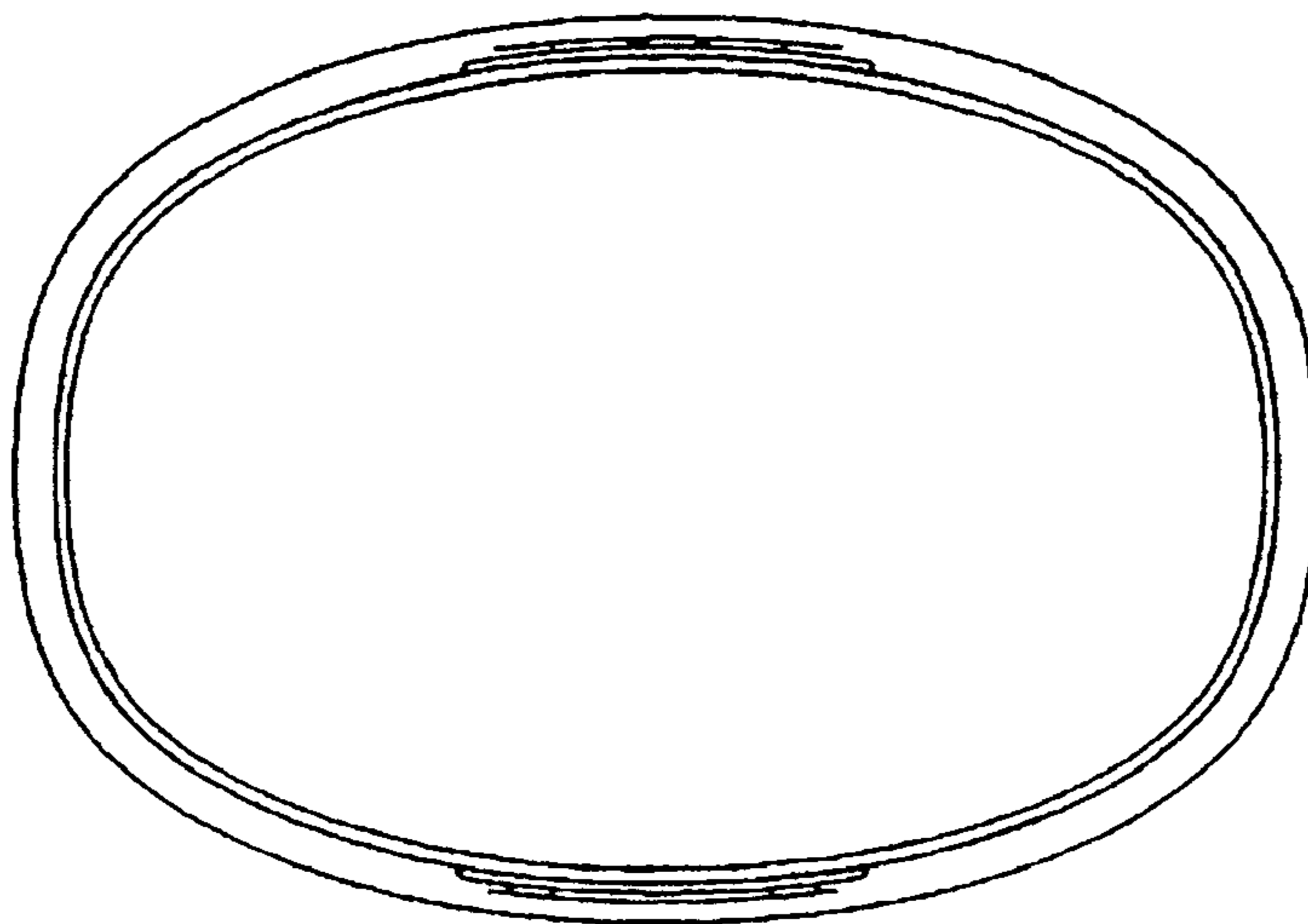
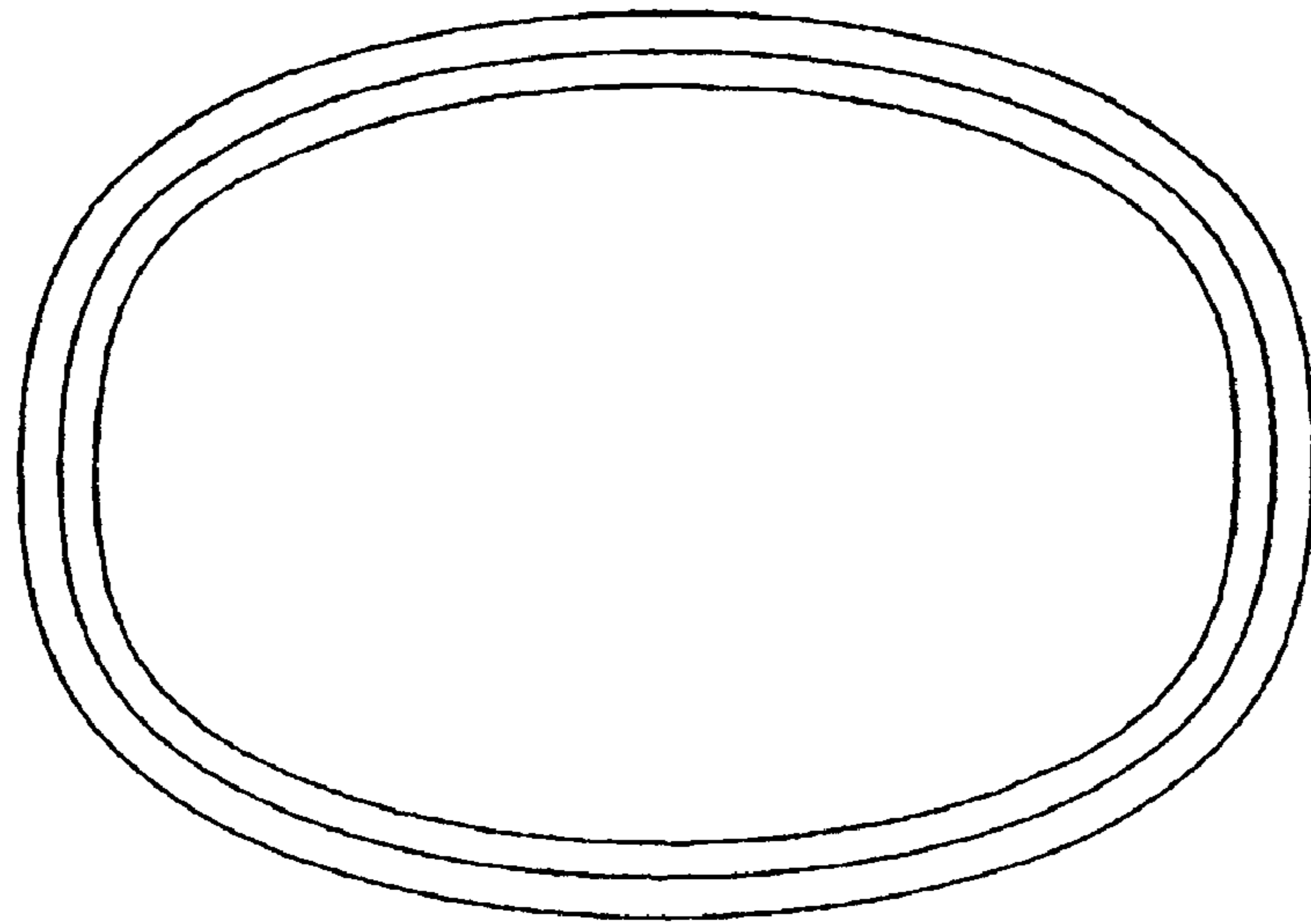


FIG. 5



**FIG. 6**



**FIG. 7**