



US00D534039S

(12) **United States Design Patent**
Laib et al.

(10) **Patent No.:** **US D534,039 S**

(45) **Date of Patent:** **** Dec. 26, 2006**

(54) **BOWL WITH DECORATIVE SIDE PANELS**

(75) Inventors: **Douglas M. Laib**, Orlando, FL (US);
Anita Suk Ping Liu, Orlando, FL (US)

(73) Assignee: **Dart Industries, Inc.**, Orlando, FL
(US)

(**) Term: **14 Years**

(21) Appl. No.: **29/223,811**

(22) Filed: **Feb. 18, 2005**

(51) **LOC (8) Cl.** **07-01**

(52) **U.S. Cl.** **D7/565; D7/570; D7/584**

(58) **Field of Classification Search** D7/312,
D7/316–319, 523, 530, 531, 543, 545, 562,
D7/565, 566, 570, 584; 220/737, 215, 574,
220/575; 229/406, 400, 403, 106; 215/377;
D9/429

See application file for complete search history.

(56) **References Cited**

U.S. PATENT DOCUMENTS

D42,200 S	*	2/1912	Farr	D7/584
D46,694 S	*	11/1914	Sanford	D7/562
D49,908 S	*	11/1916	Parsons	D7/565
D50,194 S	*	1/1917	Haley	D7/584
D67,095 S	*	4/1925	Oldham	D7/565
D80,625 S	*	3/1930	Kelly	D7/545
D105,431 S		7/1937	Cobel		
D109,482 S	*	5/1938	Jackson	D7/354
2,168,186 A		8/1939	Adamson		
D187,604 S	*	4/1960	Deltzer	D7/562
D195,034 S	*	4/1963	Kaelke	D11/154
D201,192 S	*	5/1965	Neil	D7/562
D213,427 S	*	3/1969	Batdorf	D9/429
D213,491 S	*	3/1969	Beeman	D9/429
D229,169 S	*	11/1973	Weiss	D9/429
D230,120 S	*	1/1974	Beckman	D7/565
D239,358 S	*	3/1976	Kjelkyvist	D7/523
D240,885 S	*	8/1976	Benes	D7/562
D242,495 S	*	11/1976	Montgomery	D28/76
D256,308 S	*	8/1980	Zimmermann	D7/565
D260,839 S	*	9/1981	Durand	D7/530

D270,417 S	*	9/1983	Thrush	D7/562
D279,252 S		6/1985	Daenen et al.		
D282,808 S		3/1986	Daenen et al.		
D286,844 S		11/1986	Daenen et al.		
D298,000 S	*	10/1988	Ritman	D7/584
D348,394 S		7/1994	Dreyer		
D352,425 S		11/1994	Daenen et al.		
D384,862 S	*	10/1997	Hayes et al.	D7/584
D399,099 S		10/1998	Cousins		
D408,223 S	*	4/1999	Henry	D7/545
D476,852 S	*	7/2003	Willis	D7/565
D476,854 S	*	7/2003	Garraway	D7/584
D484,749 S	*	1/2004	Garraway	D7/584
D495,928 S	*	9/2004	Laib	D7/554.3
D497,553 S		10/2004	Mitchell		
D510,843 S	*	10/2005	Vovan	D7/584

OTHER PUBLICATIONS

Magazine “domus”; p. 73.

* cited by examiner

Primary Examiner—M. N. Pandozzi

(74) *Attorney, Agent, or Firm*—John A. Doninger

(57) **CLAIM**

The ornamental design for a bowl with decorative side panels, as shown and described.

DESCRIPTION

FIG. 1 is a top, side and front perspective view of a first embodiment of a bowl with decorative side panels showing the new design;

FIG. 2 is a front elevation view thereof, the rear, left and right side elevation views being identical thereto;

FIG. 3 is a top plan view thereof;

FIG. 4 is a bottom plan view thereof;

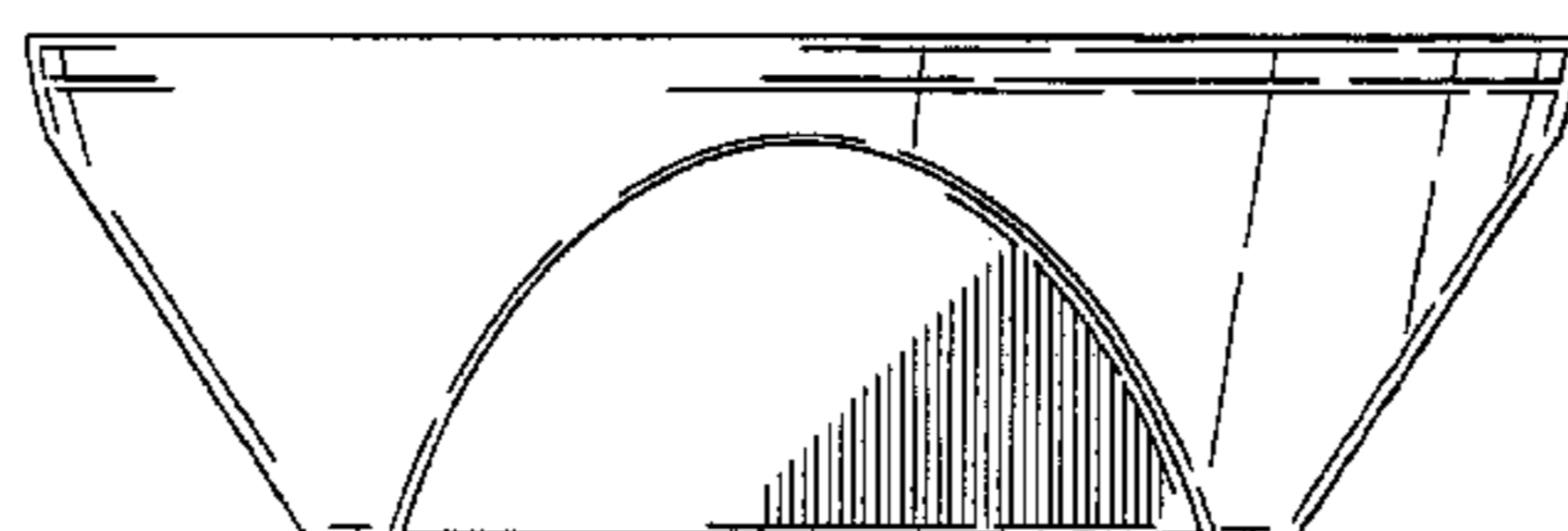
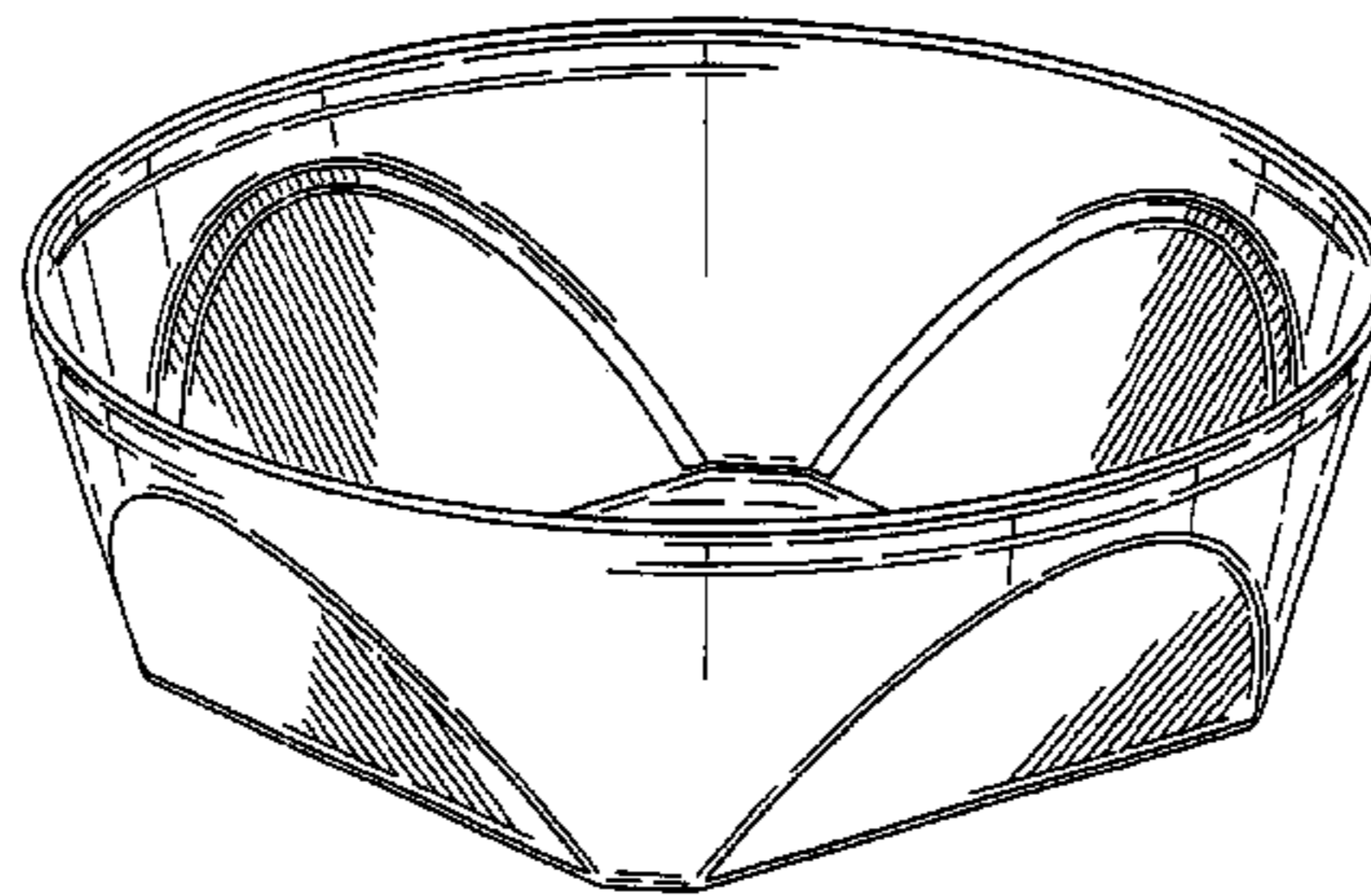
FIG. 5 is a top, side and front perspective view of a second embodiment of a bowl with decorative side panels showing the new design;

FIG. 6 is a front elevation view thereof, the rear, left and right side elevation views being identical thereto;

FIG. 7 is a top plan view thereof, and,

FIG. 8 is a bottom plan view thereof.

1 Claim, 6 Drawing Sheets



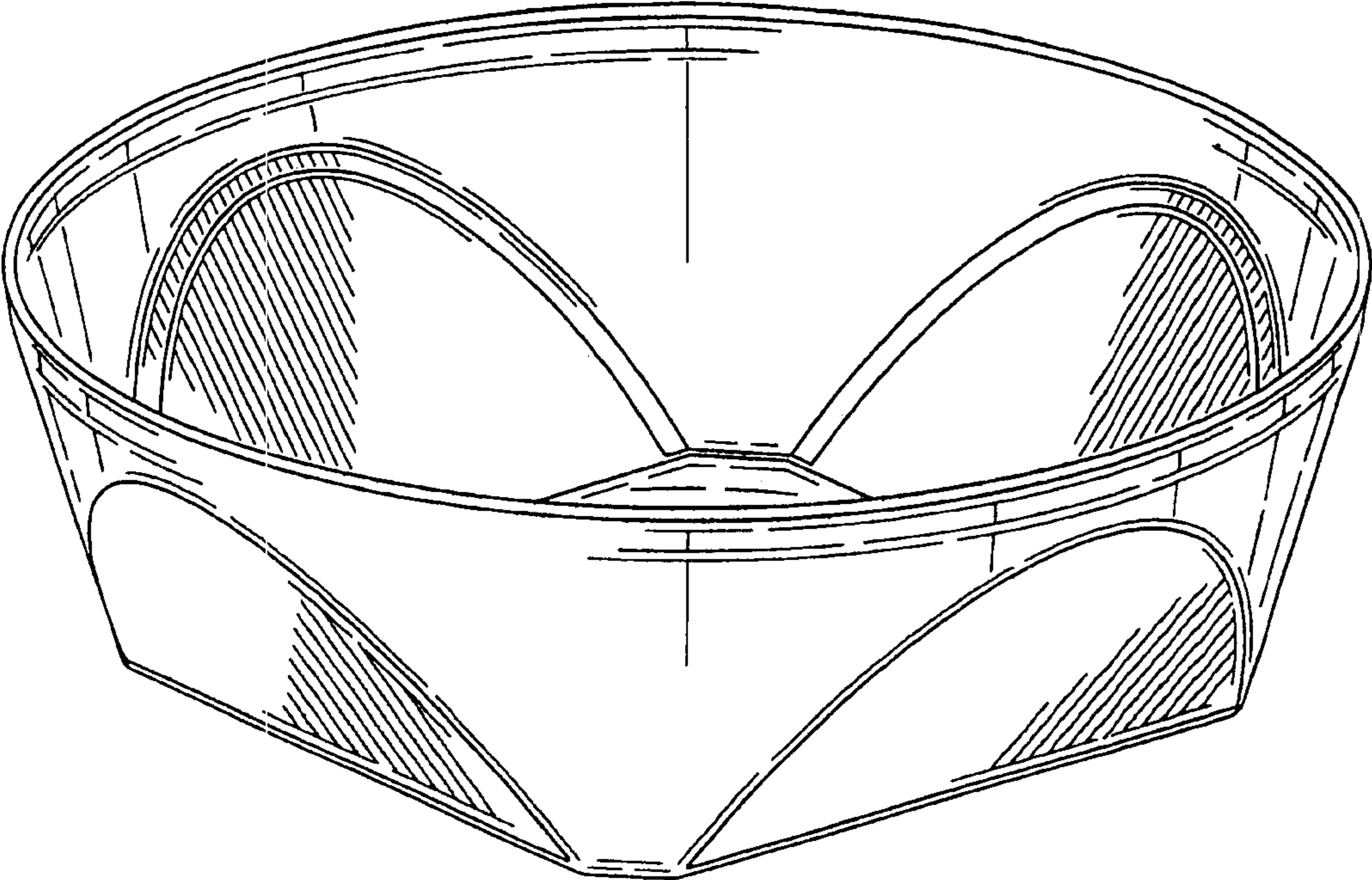


FIG. 1

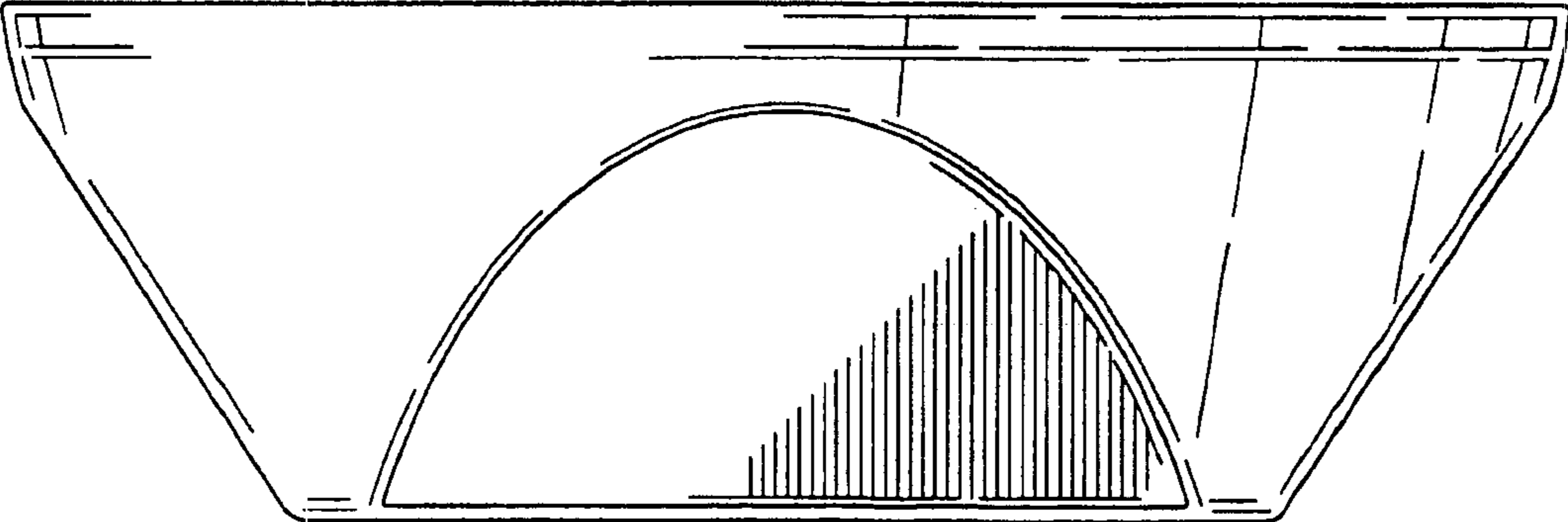


FIG. 2

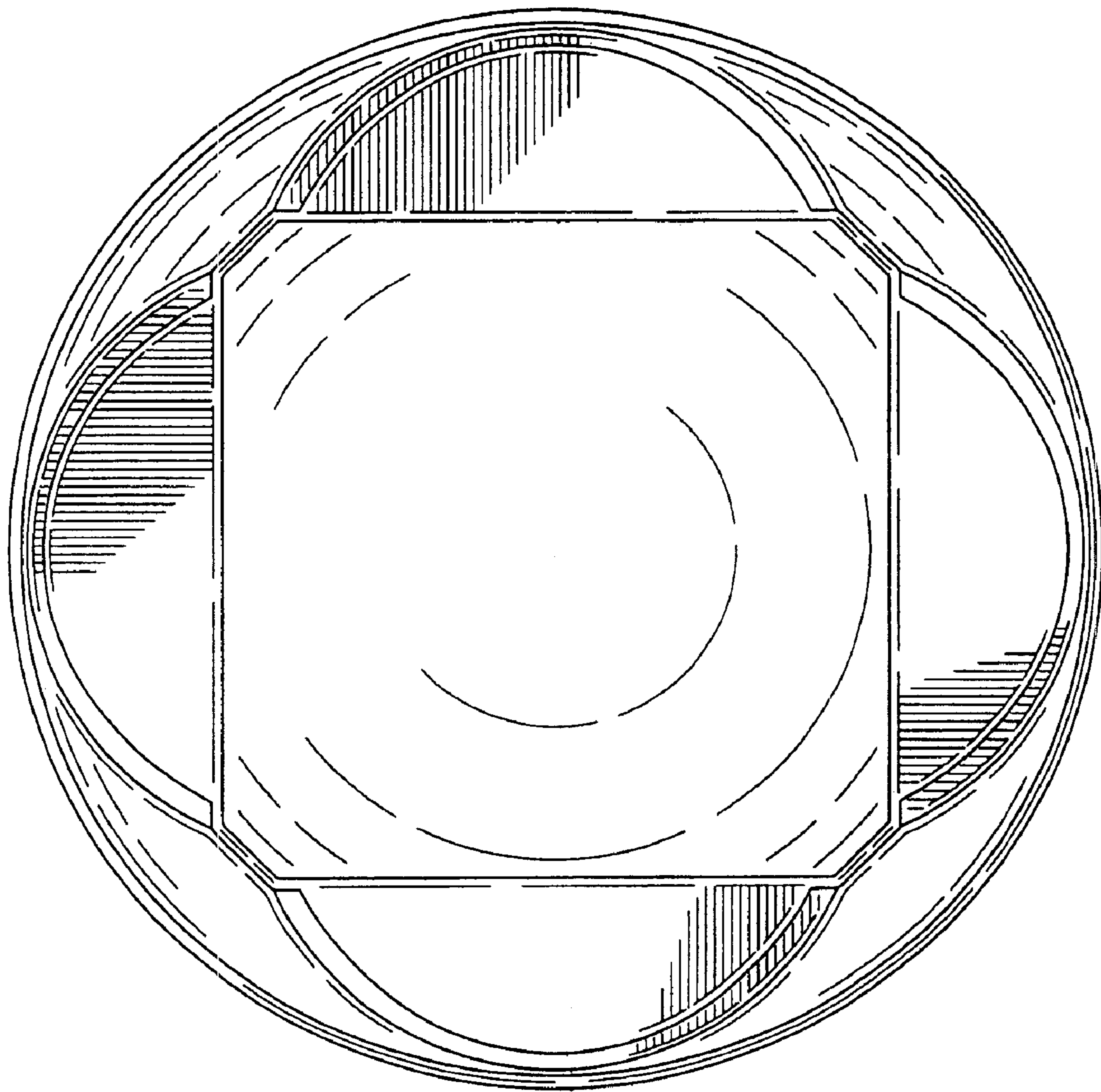


FIG. 3

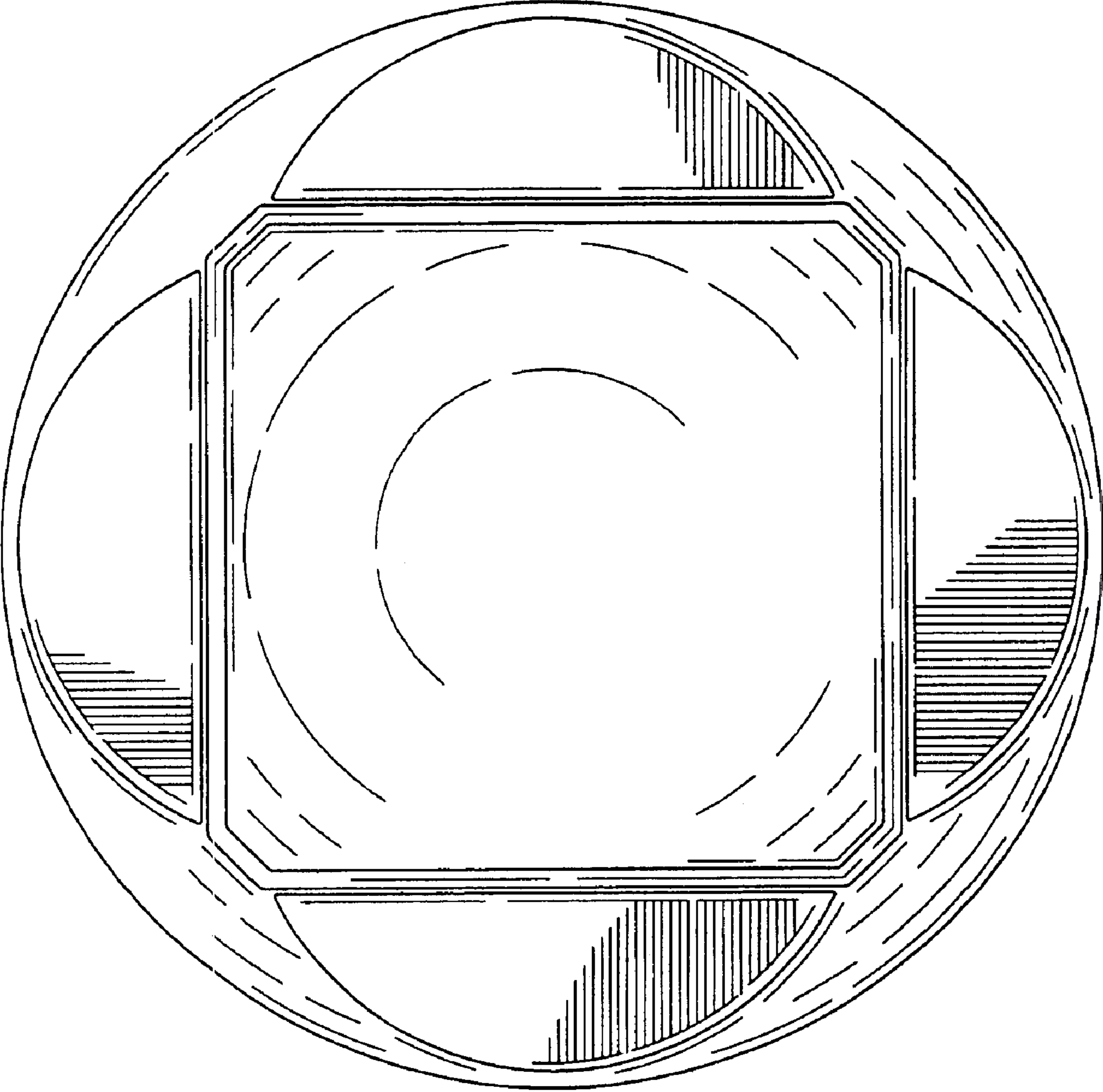


FIG. 4

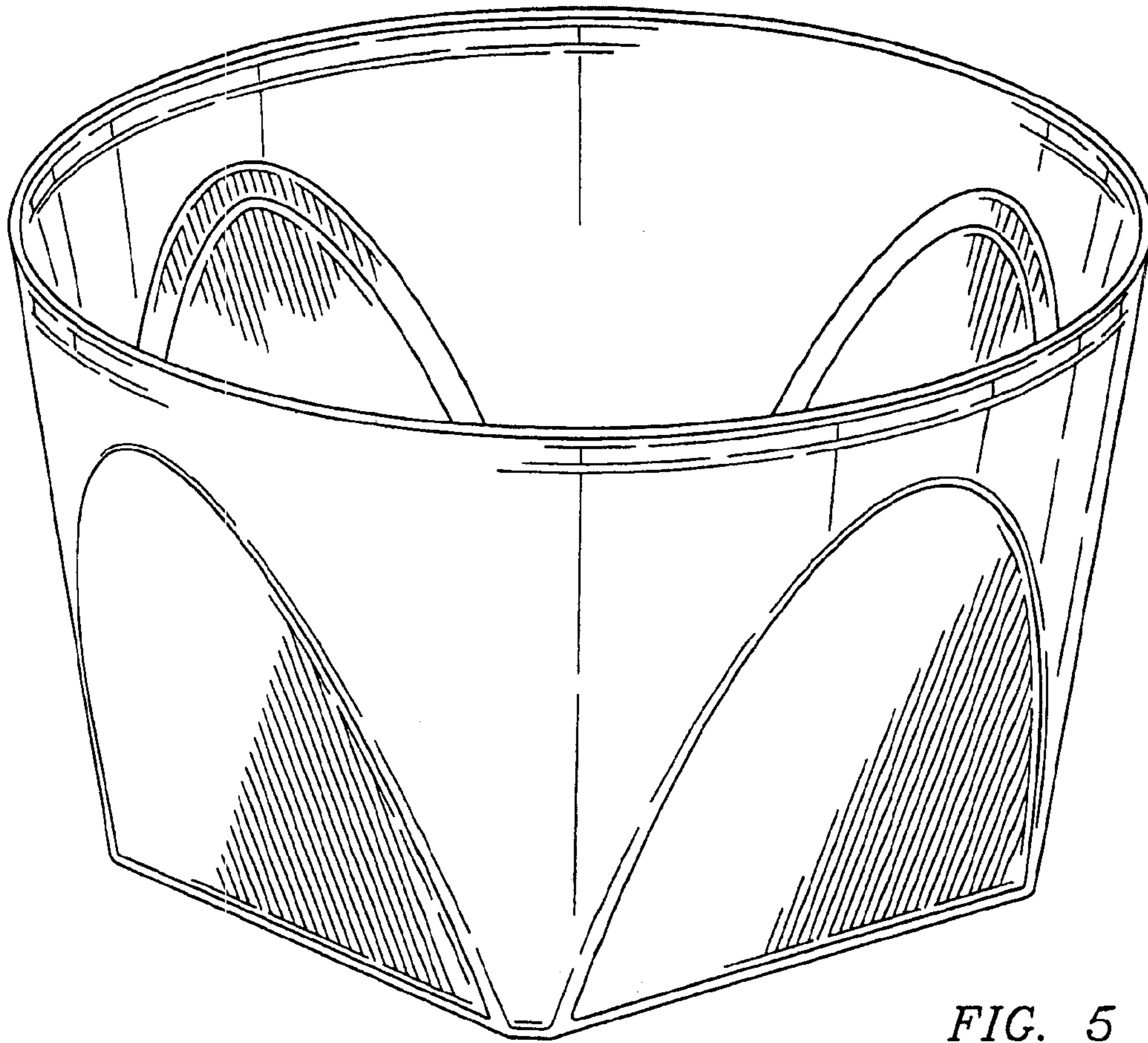


FIG. 5

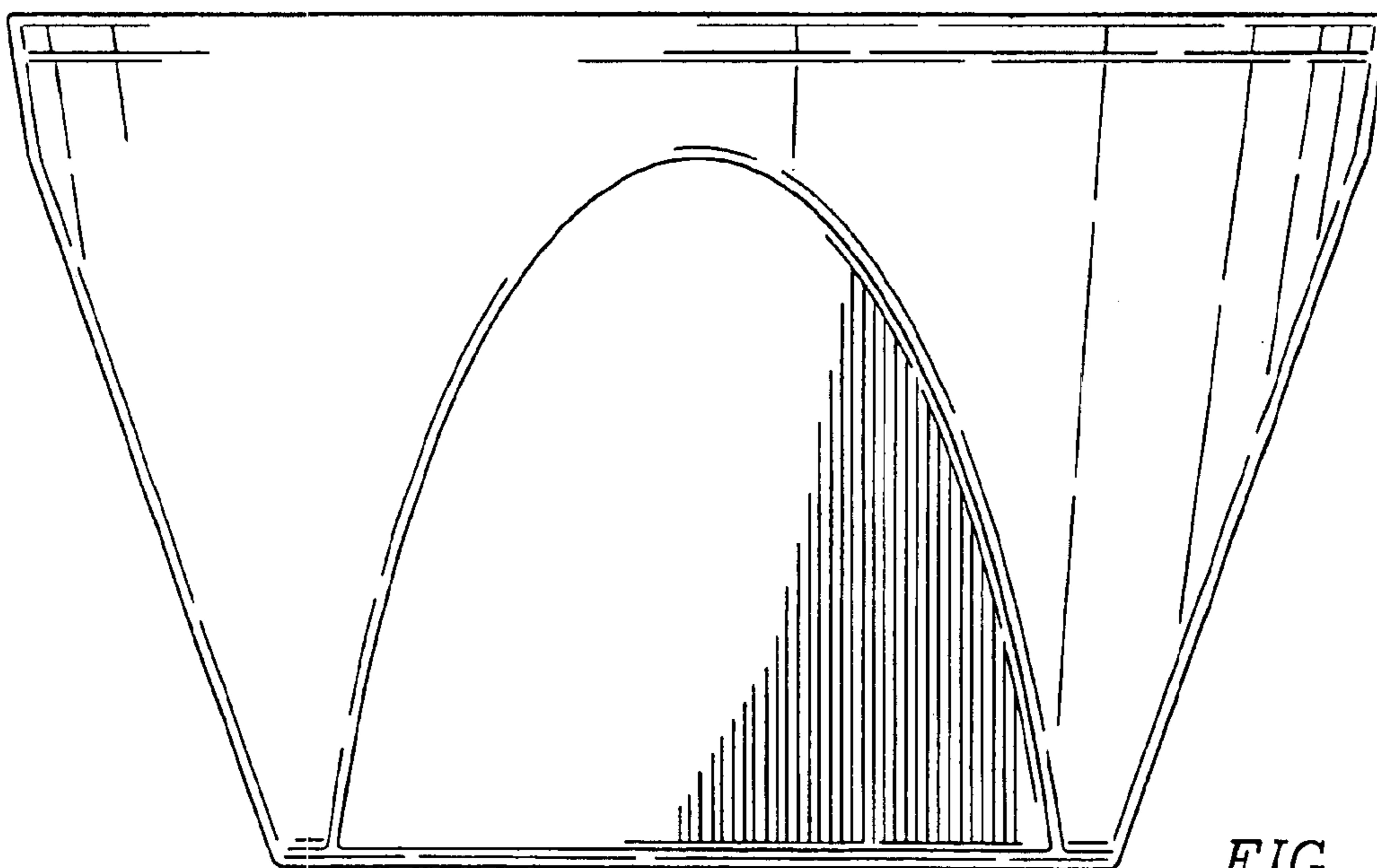


FIG. 6

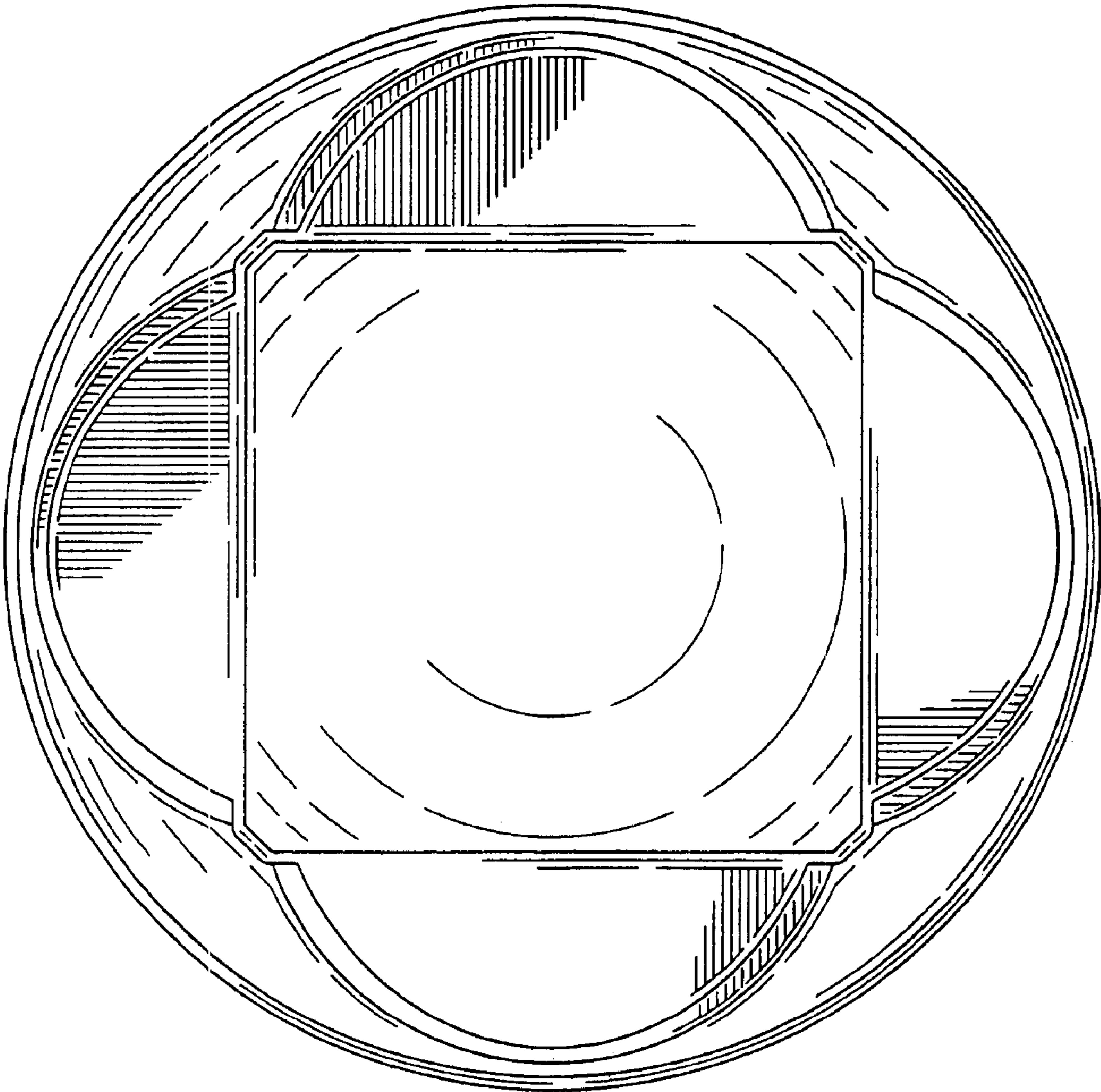


FIG. 7

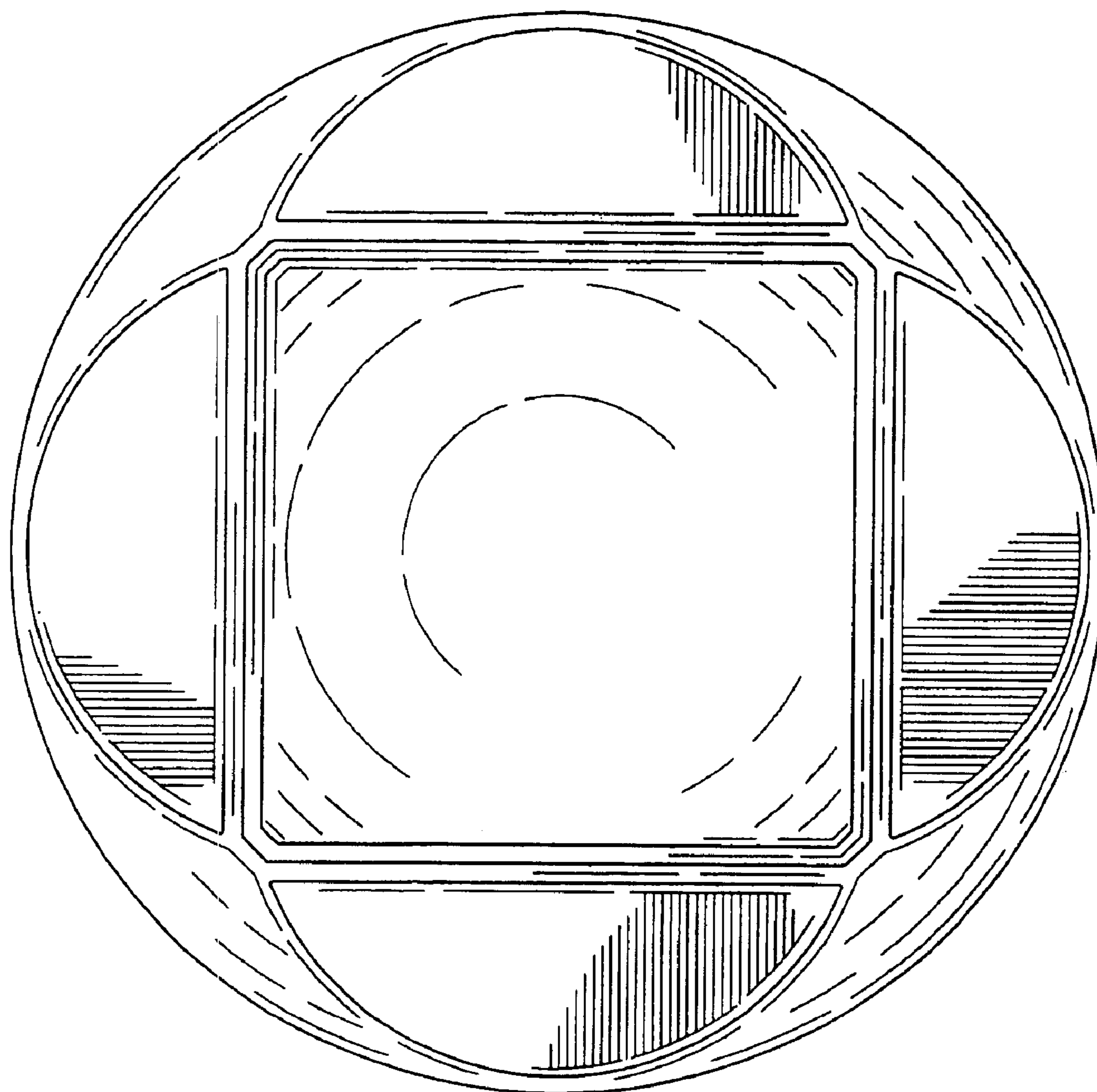


FIG. 8