



US00D534038S

(12) **United States Design Patent**
Kramer et al.

(10) **Patent No.:** **US D534,038 S**

(45) **Date of Patent:** **** Dec. 26, 2006**

(54) **RIBBED MUG**

(75) Inventors: **Jeffrey A. Kramer**, Miami Beach, FL (US); **William W. Rosenfeld**, Davie, FL (US)

(73) Assignee: **Bullet Line, Inc.**, Miami, FL (US)

(**) Term: **14 Years**

(21) Appl. No.: **29/212,142**

(22) Filed: **Aug. 26, 2004**

(51) **LOC (8) Cl.** **07-01**

(52) **U.S. Cl.** **D7/510; D7/532; D7/533; D7/511**

(58) **Field of Classification Search** D7/509, D7/510, 511, 523, 532, 533, 536; 220/737, 220/710.5, 714, 711, 713, 719, 732; 215/396, 215/DIG. 8; 294/31.2; 229/400; 206/519
See application file for complete search history.

(56) **References Cited**

U.S. PATENT DOCUMENTS

| | | | | | | |
|-----------|---|---|---------|---------------|-------|----------|
| 2,028,566 | A | * | 1/1936 | Seipel et al. | | 294/31.2 |
| 3,596,795 | A | * | 8/1971 | D'Ercoli | | 206/514 |
| D387,619 | S | * | 12/1997 | Gross et al. | | D7/510 |
| D397,905 | S | * | 9/1998 | Hsu | | D7/317 |
| D410,174 | S | * | 5/1999 | Sheu | | D7/510 |
| D417,819 | S | * | 12/1999 | Kelly-Pollet | | D7/510 |
| D426,109 | S | * | 6/2000 | Freed | | D7/533 |
| D428,769 | S | * | 8/2000 | Mensch et al. | | D7/533 |

| | | | | | | |
|----------|---|---|---------|---------------|-------|--------|
| D431,159 | S | * | 9/2000 | Otake | | D7/510 |
| D437,185 | S | * | 2/2001 | Freed | | D7/510 |
| D439,473 | S | * | 3/2001 | Lin | | D7/510 |
| D462,578 | S | * | 9/2002 | Janky | | D7/533 |
| D462,875 | S | * | 9/2002 | Norris et al. | | D7/533 |
| D468,588 | S | * | 1/2003 | Norris et al. | | D7/532 |
| D469,658 | S | * | 2/2003 | Norris et al. | | D7/523 |
| D479,669 | S | * | 9/2003 | Norris et al. | | D7/532 |
| D479,670 | S | * | 9/2003 | Webb | | D7/532 |
| D489,574 | S | * | 5/2004 | Copeland | | D7/536 |
| D503,072 | S | * | 3/2005 | Norris et al. | | D7/532 |
| D510,236 | S | * | 10/2005 | Norris et al. | | D7/536 |
| D511,653 | S | * | 11/2005 | Oas | | D7/507 |

* cited by examiner

Primary Examiner—M. N. Pandozzi

(74) *Attorney, Agent, or Firm*—Malloy & Malloy, P.A.

(57) **CLAIM**

The ornamental design for ribbed mug, as shown and described.

DESCRIPTION

FIG. 1 is a perspective view of a ribbed mug showing our new design;

FIG. 2 is a top view thereof;

FIG. 3 is a bottom view thereof;

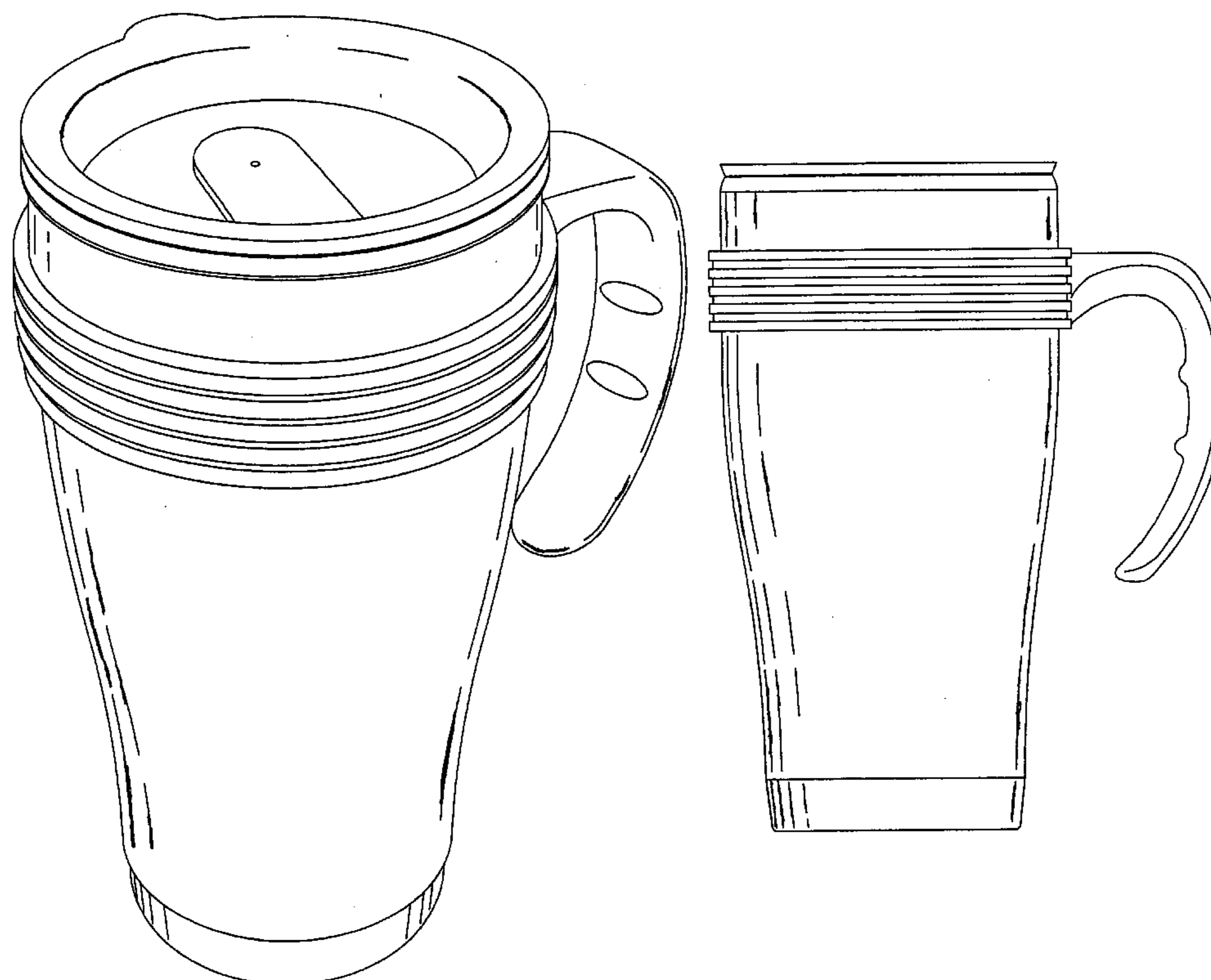
FIG. 4 is a left side view thereof;

FIG. 5 is a right side view thereof;

FIG. 6 is a rear view thereof; and,

FIG. 7 is a front view thereof.

1 Claim, 4 Drawing Sheets



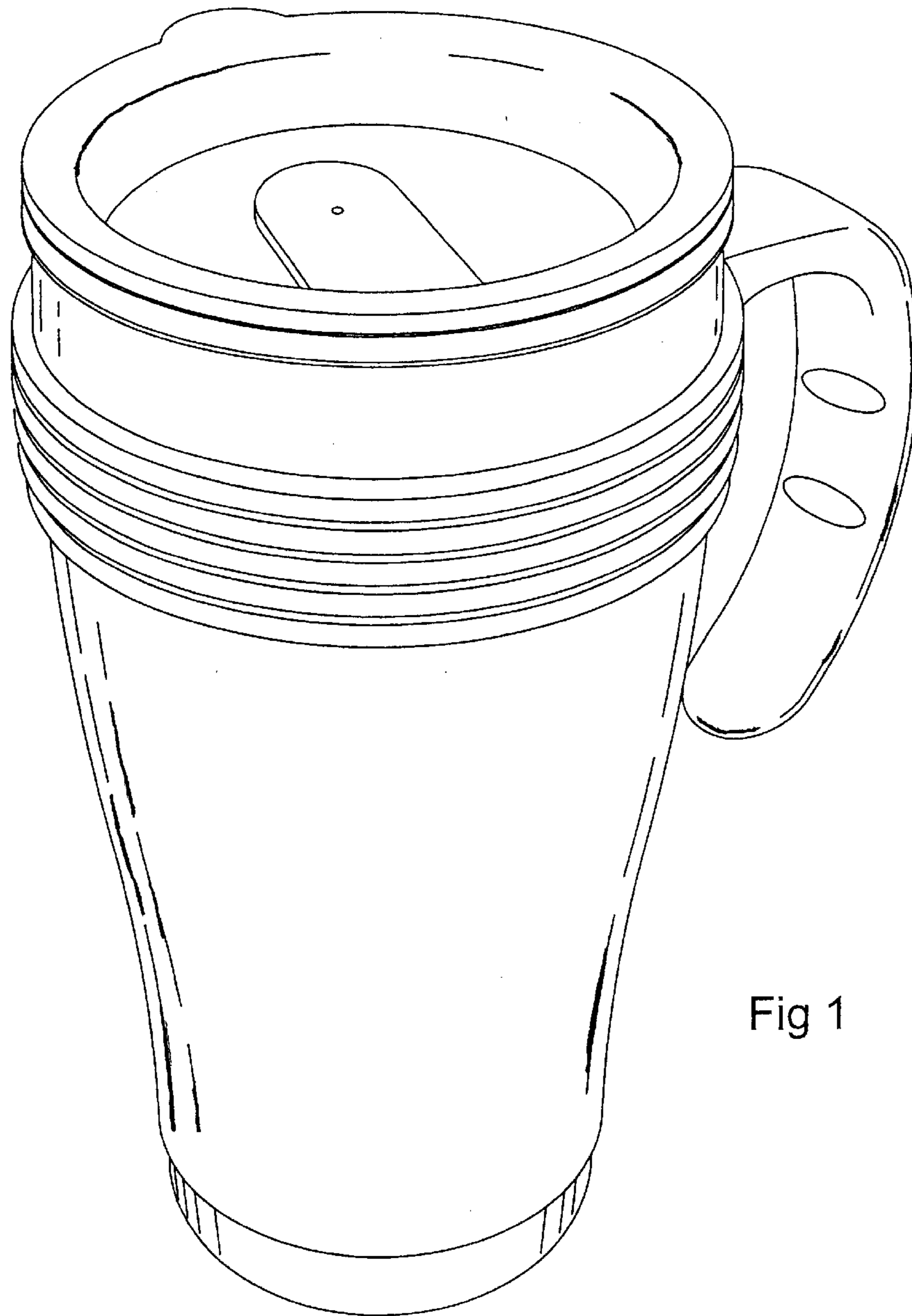


Fig 1

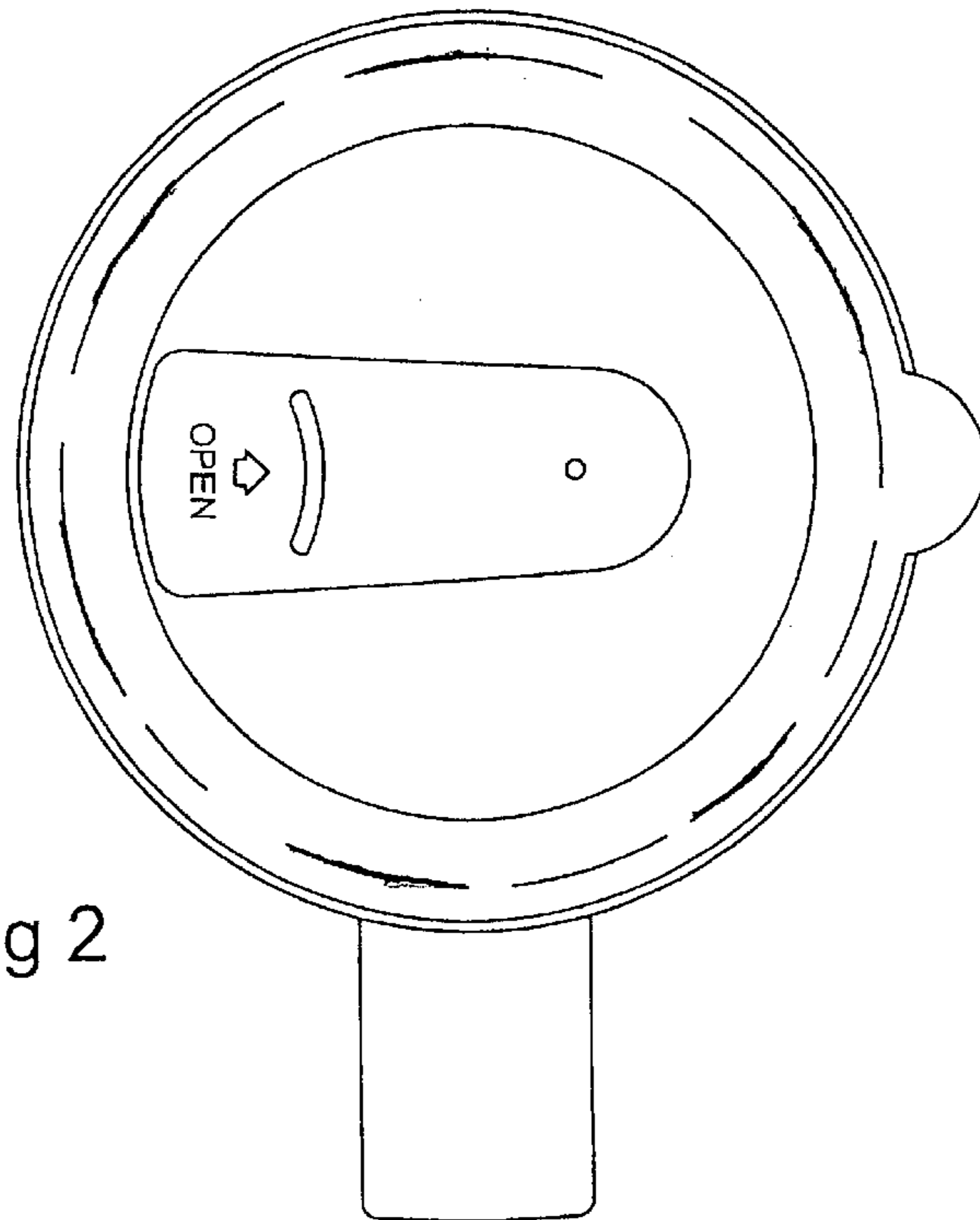


Fig 2

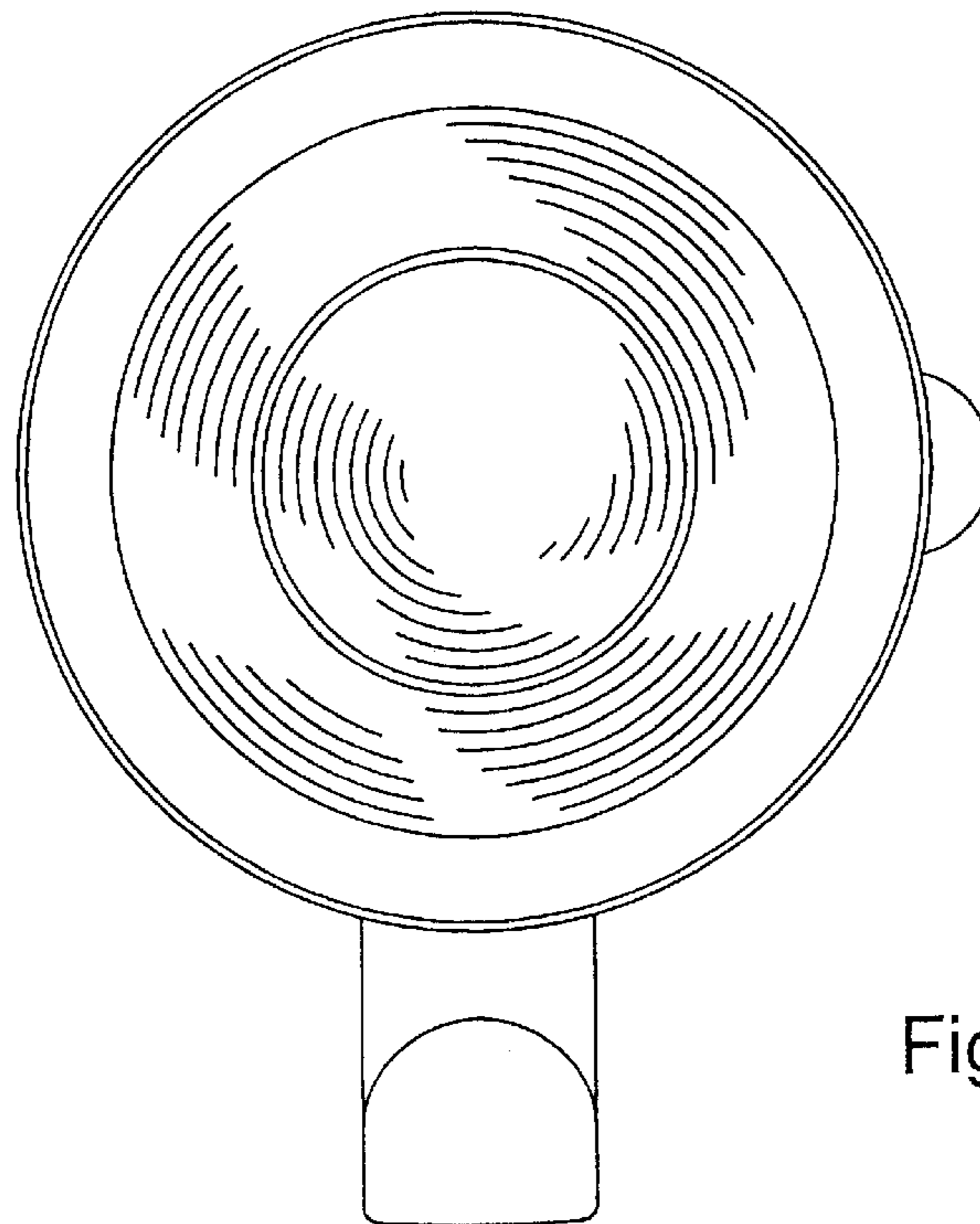


Fig 3

Fig 5

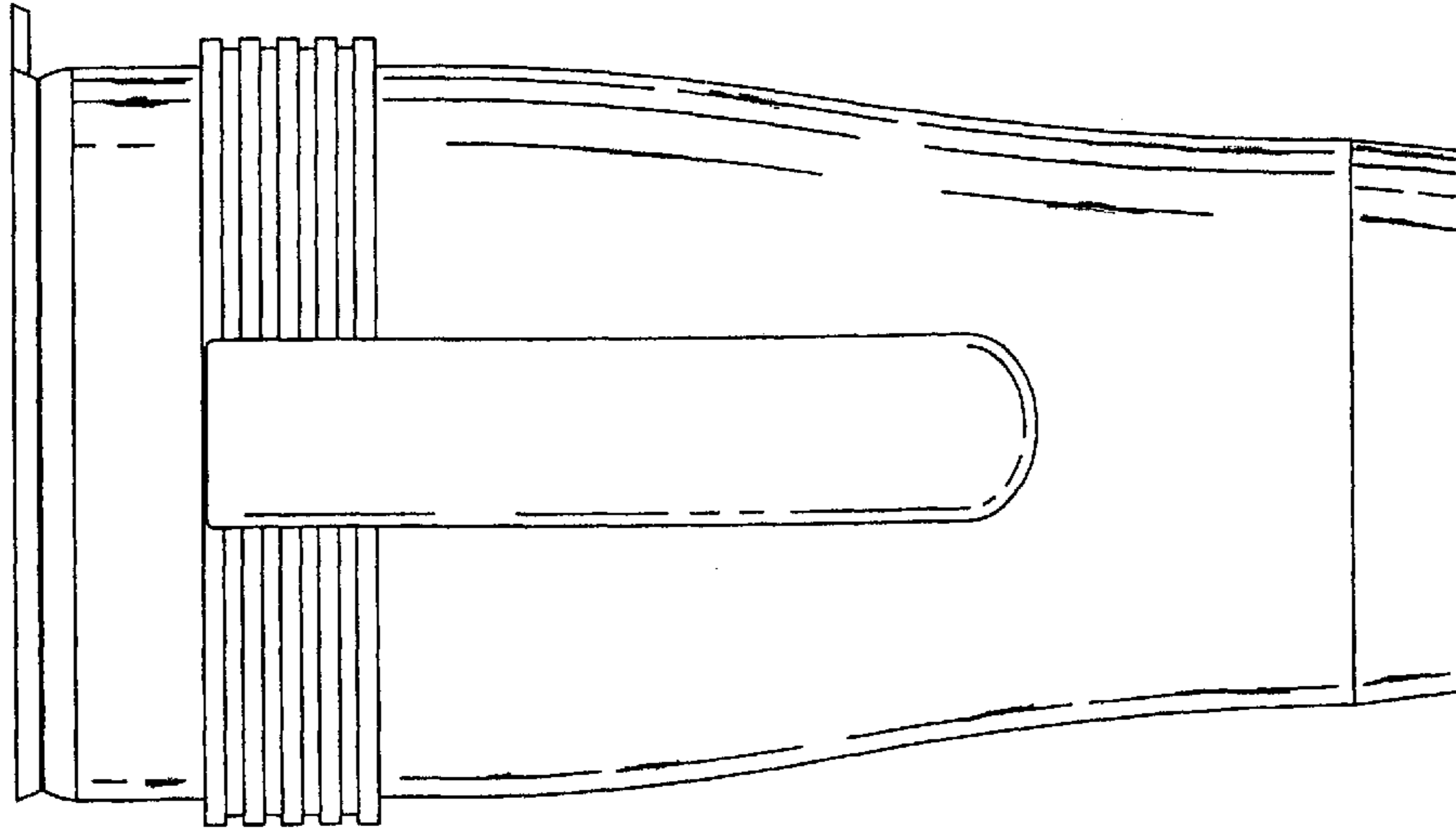
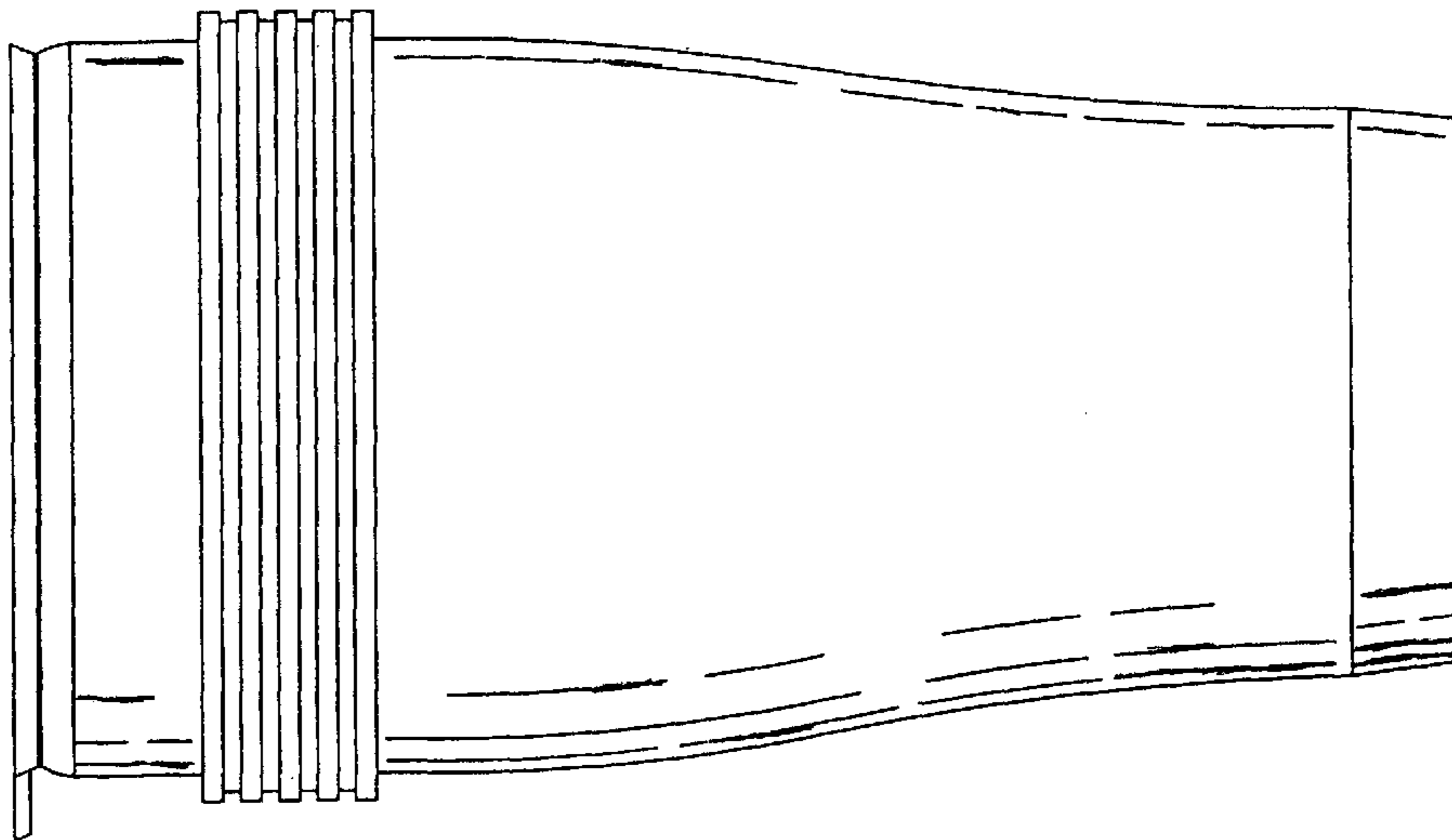


Fig 4



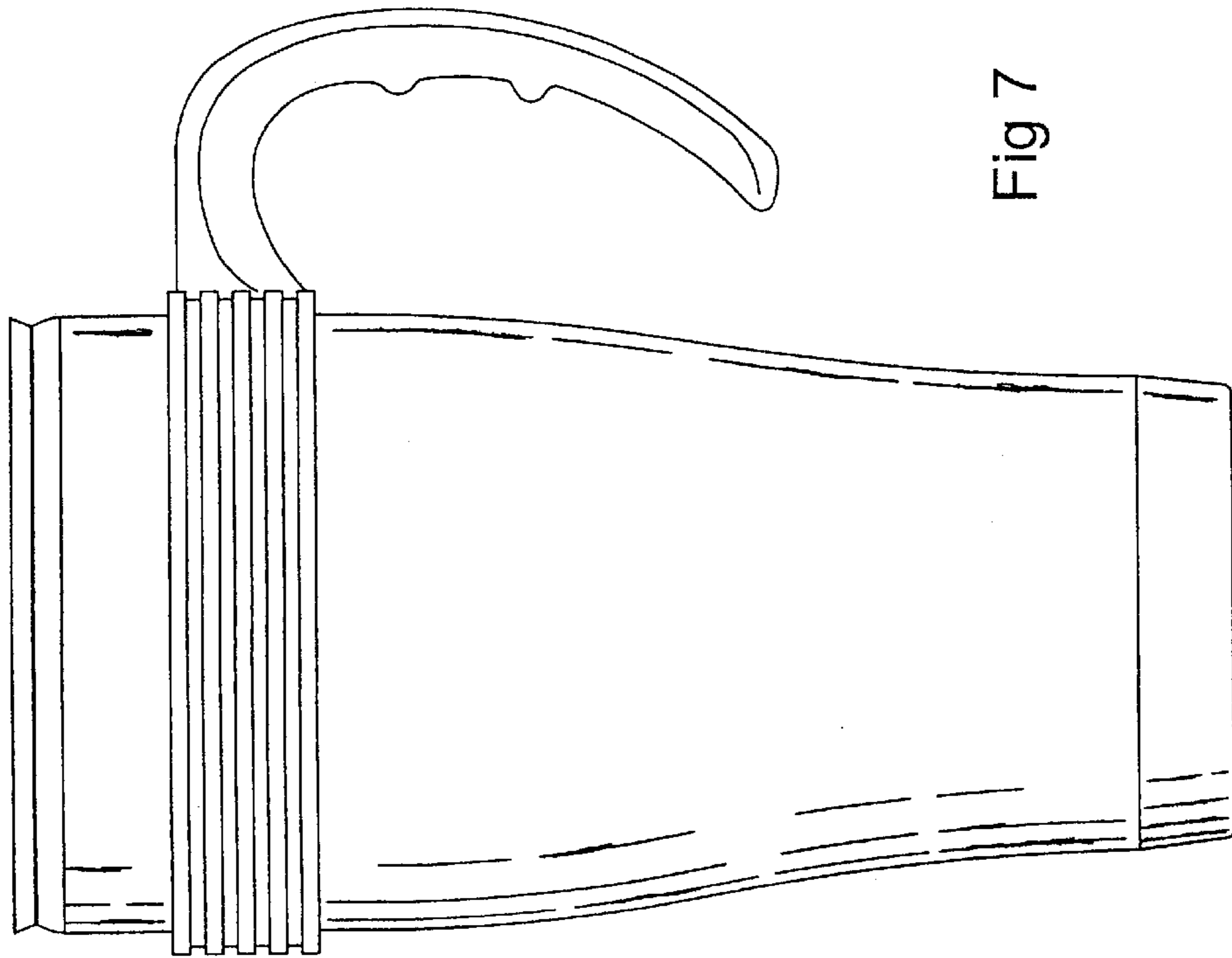


Fig 7

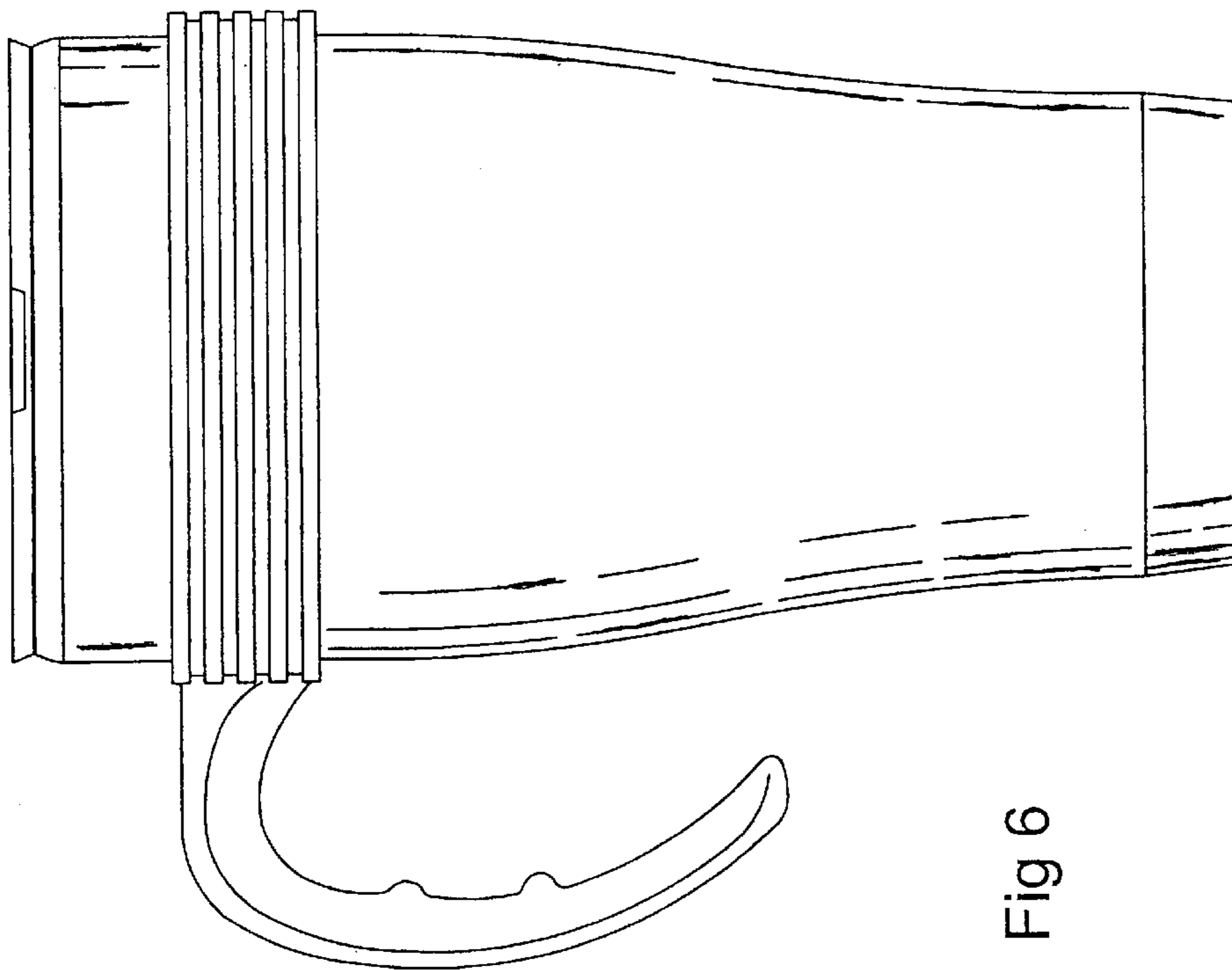


Fig 6