



US00D534037S

(12) **United States Design Patent** (10) **Patent No.:** **US D534,037 S**  
**Oas** (45) **Date of Patent:** **\*\* Dec. 26, 2006**

(54) **JIGGER**

(76) Inventor: **Daniel R. Oas**, 6520 N. Irwindale Ave.,  
Irwindale, CA (US) 91702

(\*\*) Term: **14 Years**

(21) Appl. No.: **29/243,148**

(22) Filed: **Nov. 21, 2005**

(51) **LOC (8) Cl.** ..... **07-01**

(52) **U.S. Cl.** ..... **D7/507; D7/509; D7/523**

(58) **Field of Classification Search** ..... D7/509,  
D7/510, 511, 523, 507, 513, 624.1, 624.2,  
D7/396.6, 396.2, 503; 215/383, 388, 374,  
215/6; 220/705, 504, 703, 507; 362/101;  
99/571; 472/71; 428/3

See application file for complete search history.

(56) **References Cited**

**U.S. PATENT DOCUMENTS**

56,067	A	*	7/1866	Duck	.....	15/178
2,143,027	A	*	1/1939	Perry	.....	215/374
2,224,941	A	*	12/1940	Weimer	.....	99/516
D167,667	S	*	9/1952	Babany	.....	D7/513
2,665,571	A	*	1/1954	Lohead	.....	211/2
3,218,447	A	*	11/1965	Pardue	.....	362/101
3,733,071	A	*	5/1973	Levin	.....	472/71
4,106,402	A	*	8/1978	Gevas	.....	99/571
4,344,113	A	*	8/1982	Ditto et al.	.....	362/101

D302,225	S	*	7/1989	Shapard	.....	D7/524
D332,551	S	*	1/1993	Fields et al.	.....	D7/619.1
D355,792	S	*	2/1995	White	.....	D6/450
5,575,553	A	*	11/1996	Tipton	.....	362/101
D448,619	S	*	10/2001	Pau	.....	D7/503
6,352,352	B1	*	3/2002	Schletterer et al.	.....	362/183
D468,220	S	*	1/2003	Harris et al.	.....	D10/46.2
6,511,197	B1	*	1/2003	Kalemjian	.....	362/101
6,793,362	B1	*	9/2004	Tai	.....	362/101
6,955,443	B1	*	10/2005	Solowiej	.....	362/101
7,018,062	B1	*	3/2006	Taylor	.....	362/101

\* cited by examiner

*Primary Examiner*—M. N. Pandozzi  
(74) *Attorney, Agent, or Firm*—Edgar W. Averill, Jr.;  
Kenneth L. Green

(57) **CLAIM**

The ornamental design for a jigger, as shown and described.

**DESCRIPTION**

FIG. 1 is a perspective view showing the top and front of a jigger showing my new design.

FIG. 2 is a top view thereof.

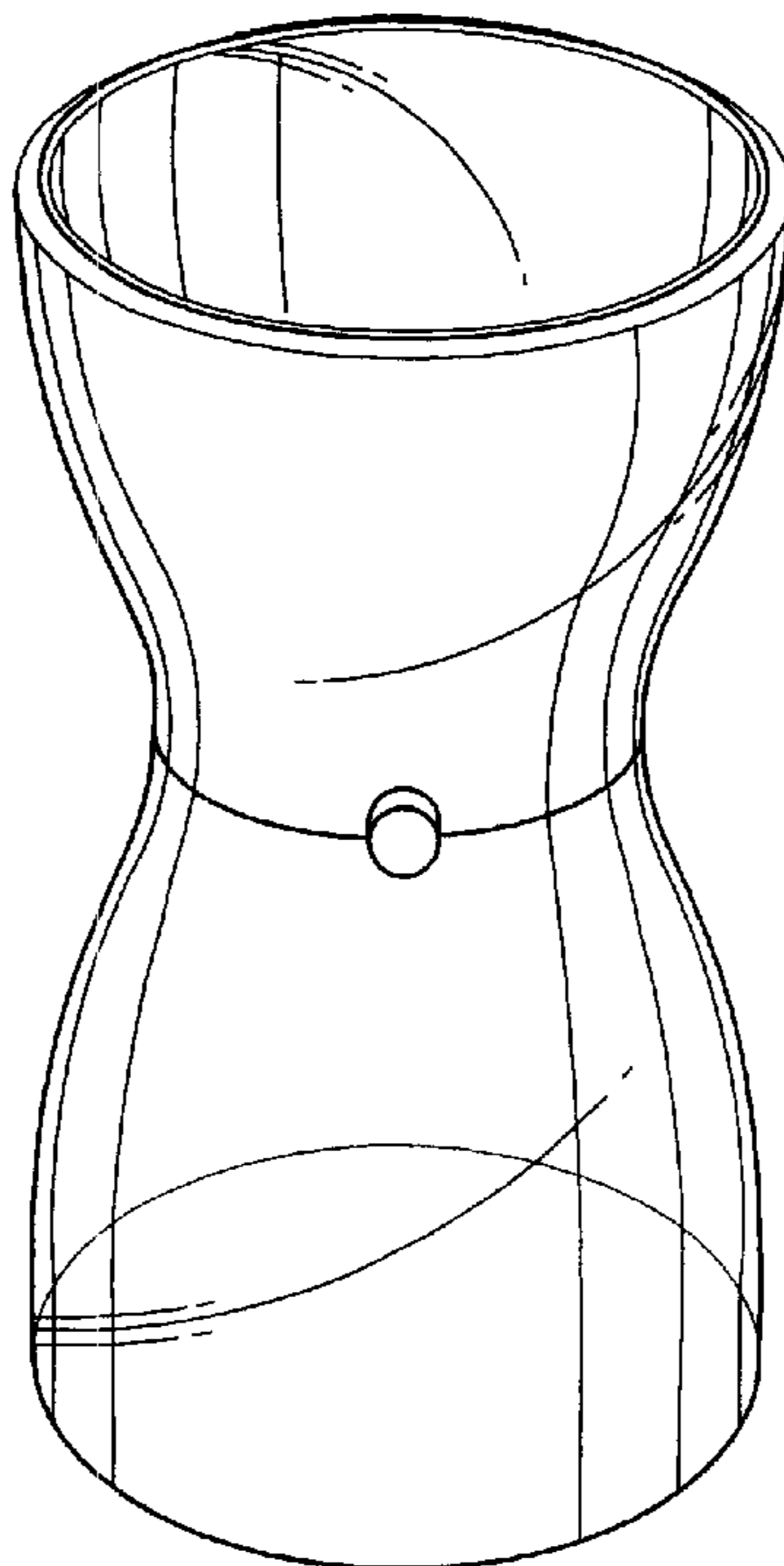
FIG. 3 is a front view thereof.

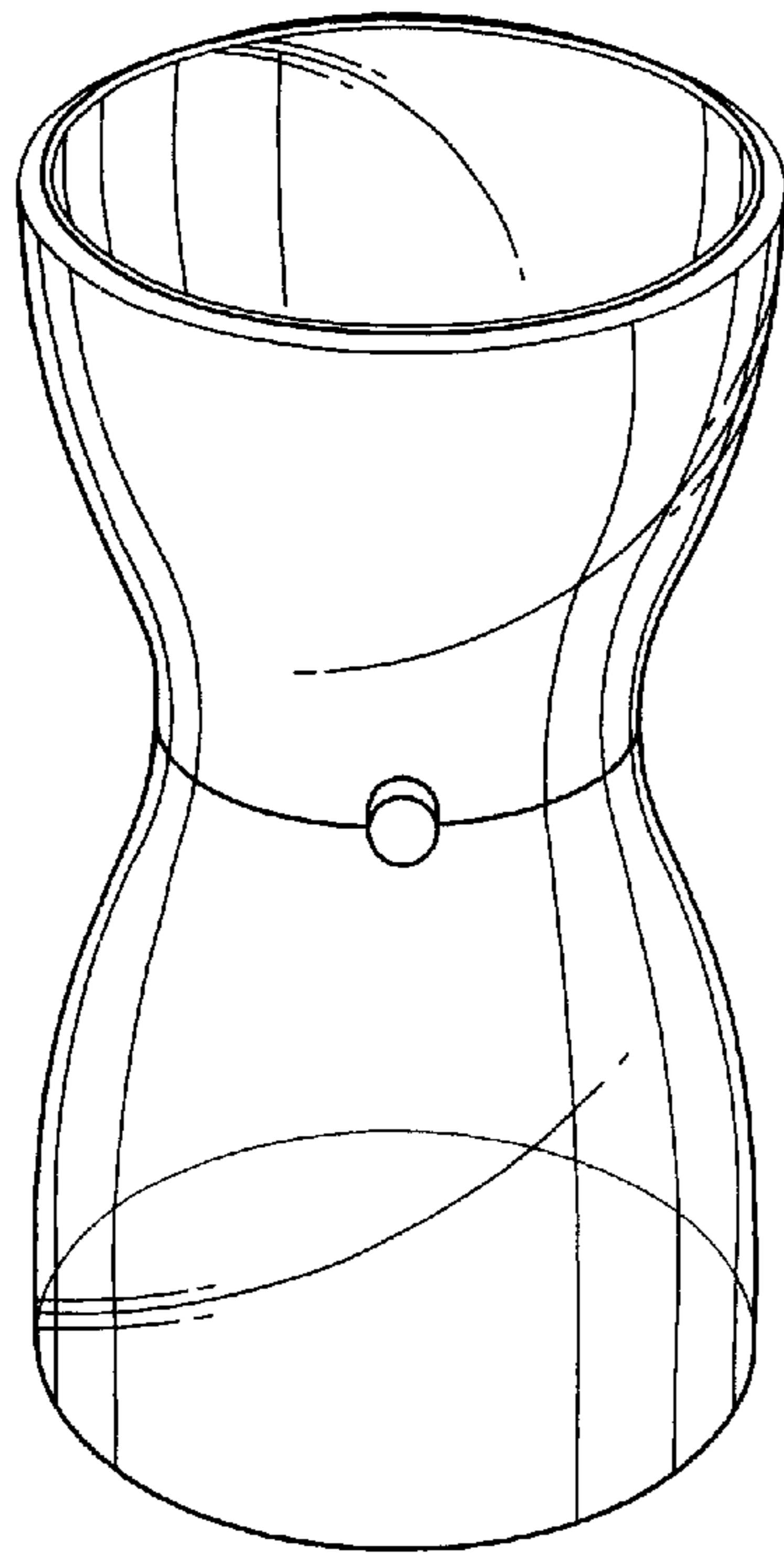
FIG. 4 is a right side view thereof.

FIG. 5 is a back side view thereof; and,

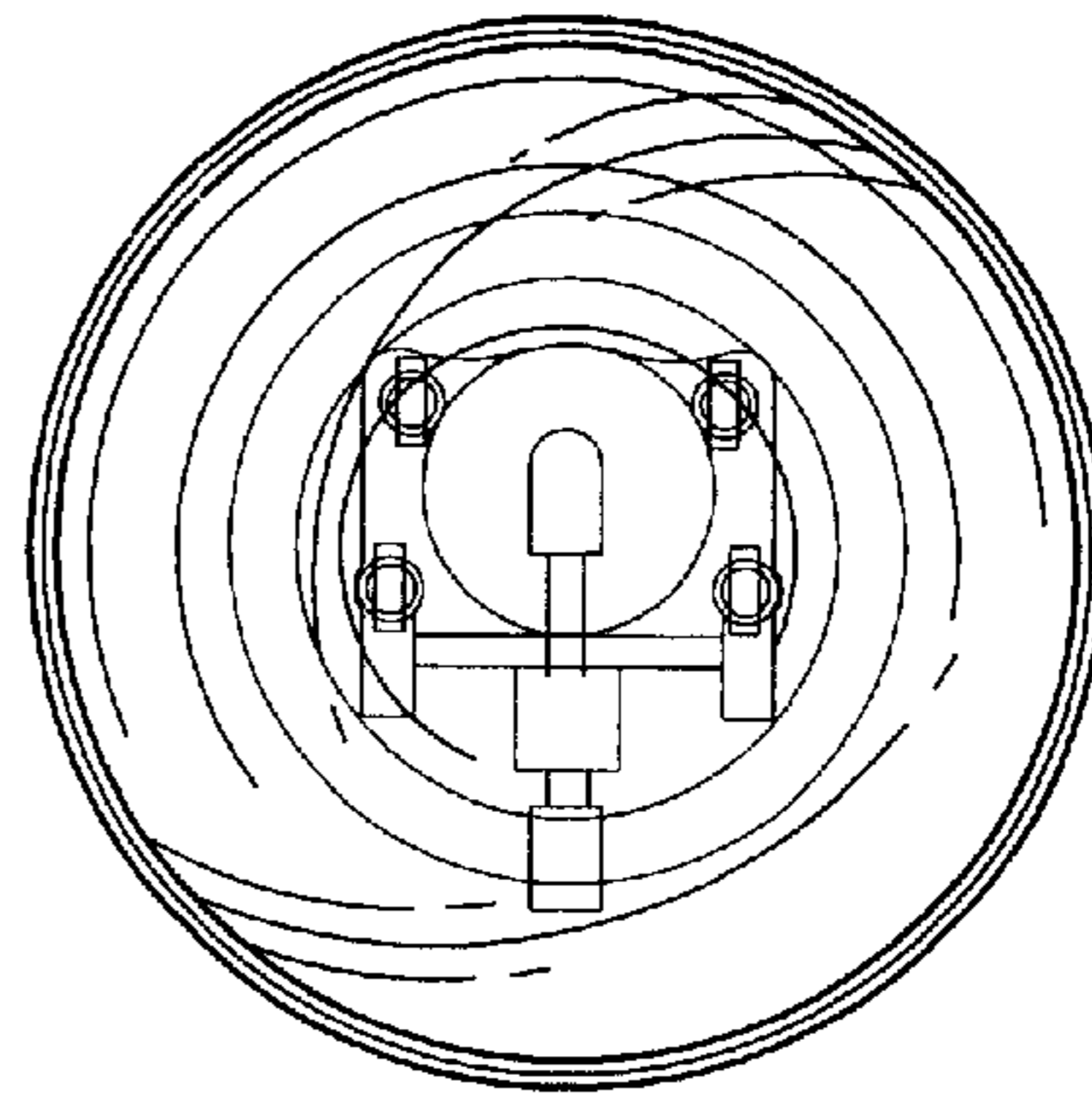
FIG. 6 is a bottom view thereof.

**1 Claim, 2 Drawing Sheets**

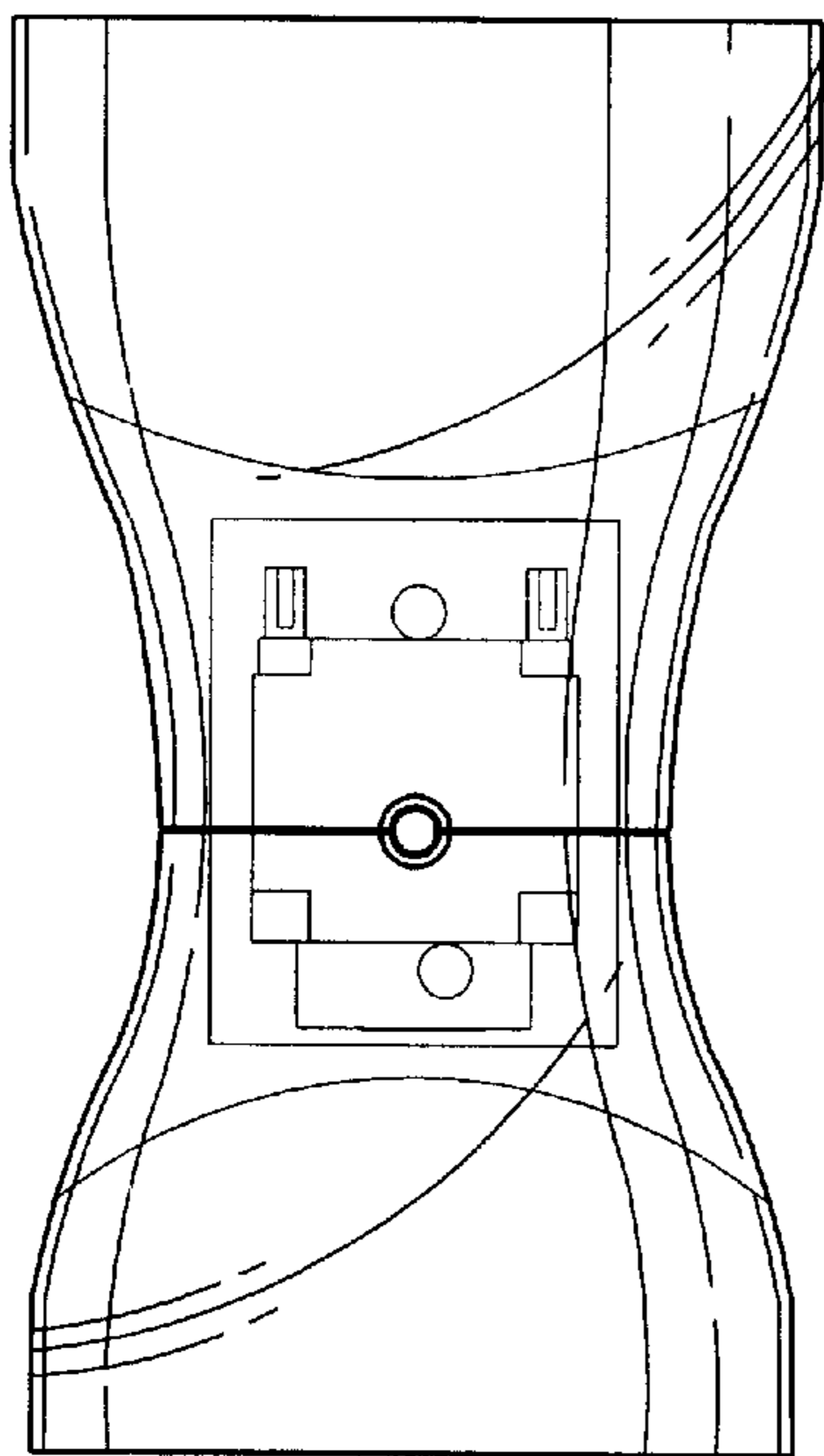




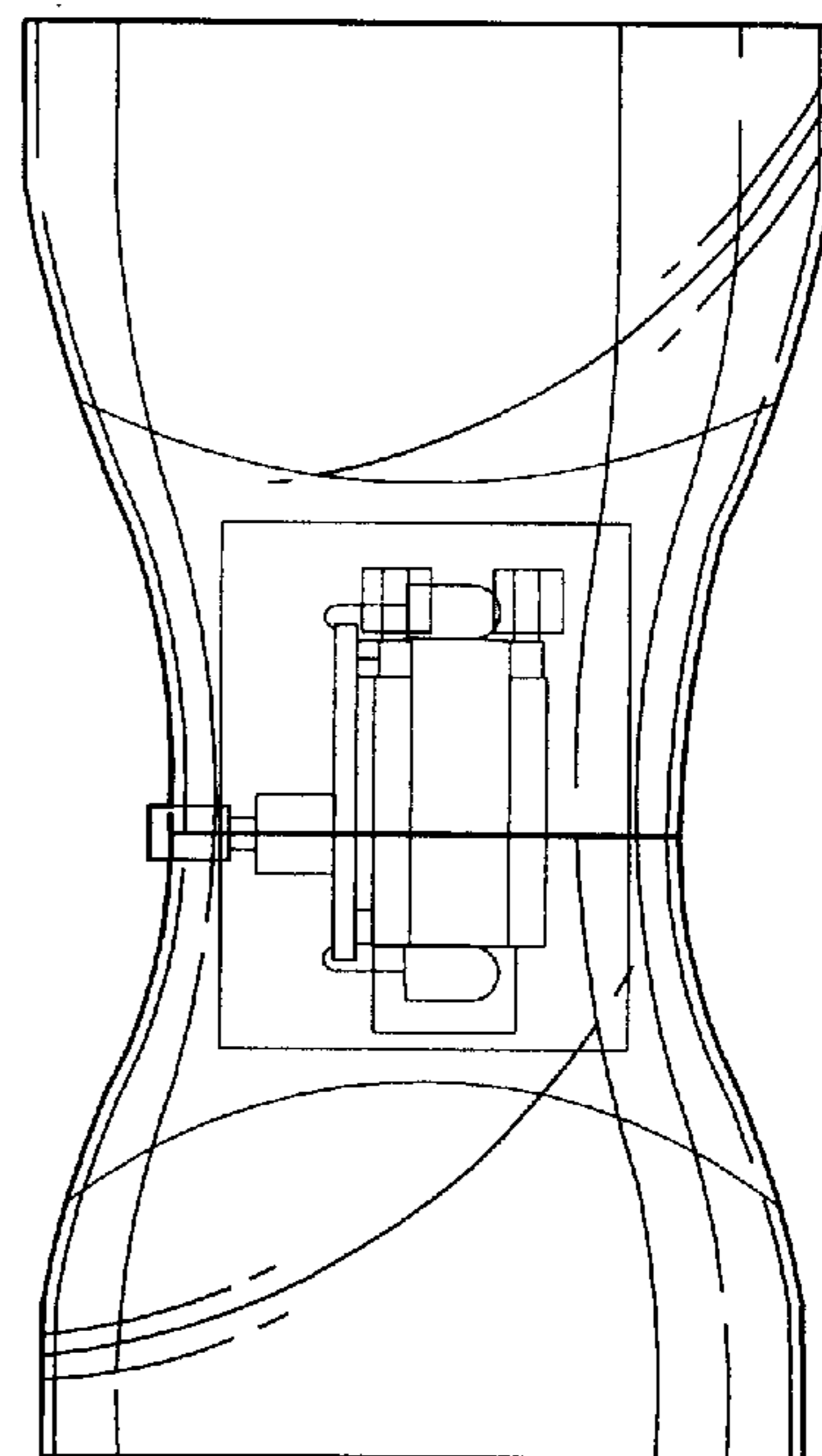
*FIG. 1*



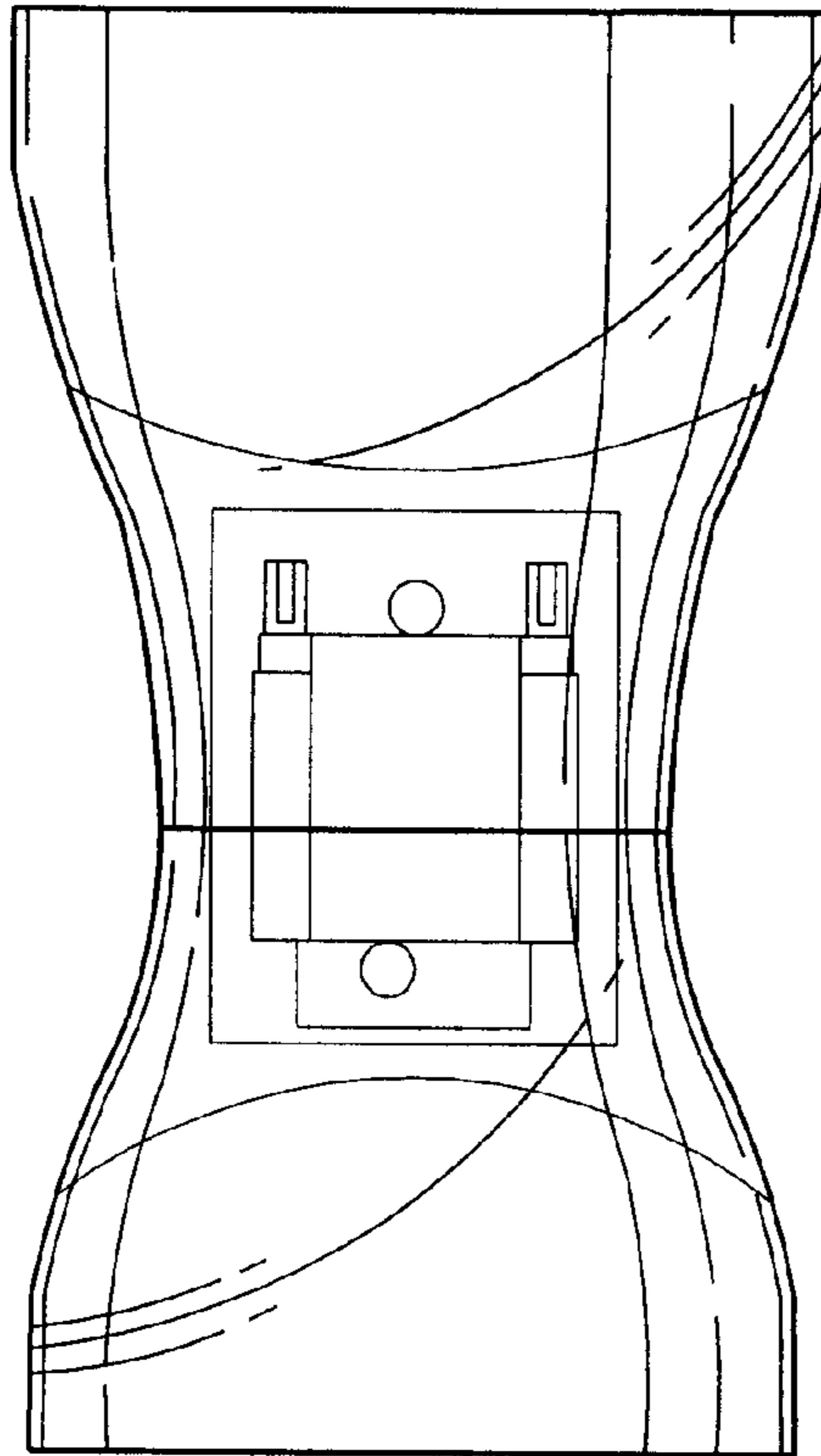
*FIG. 2*



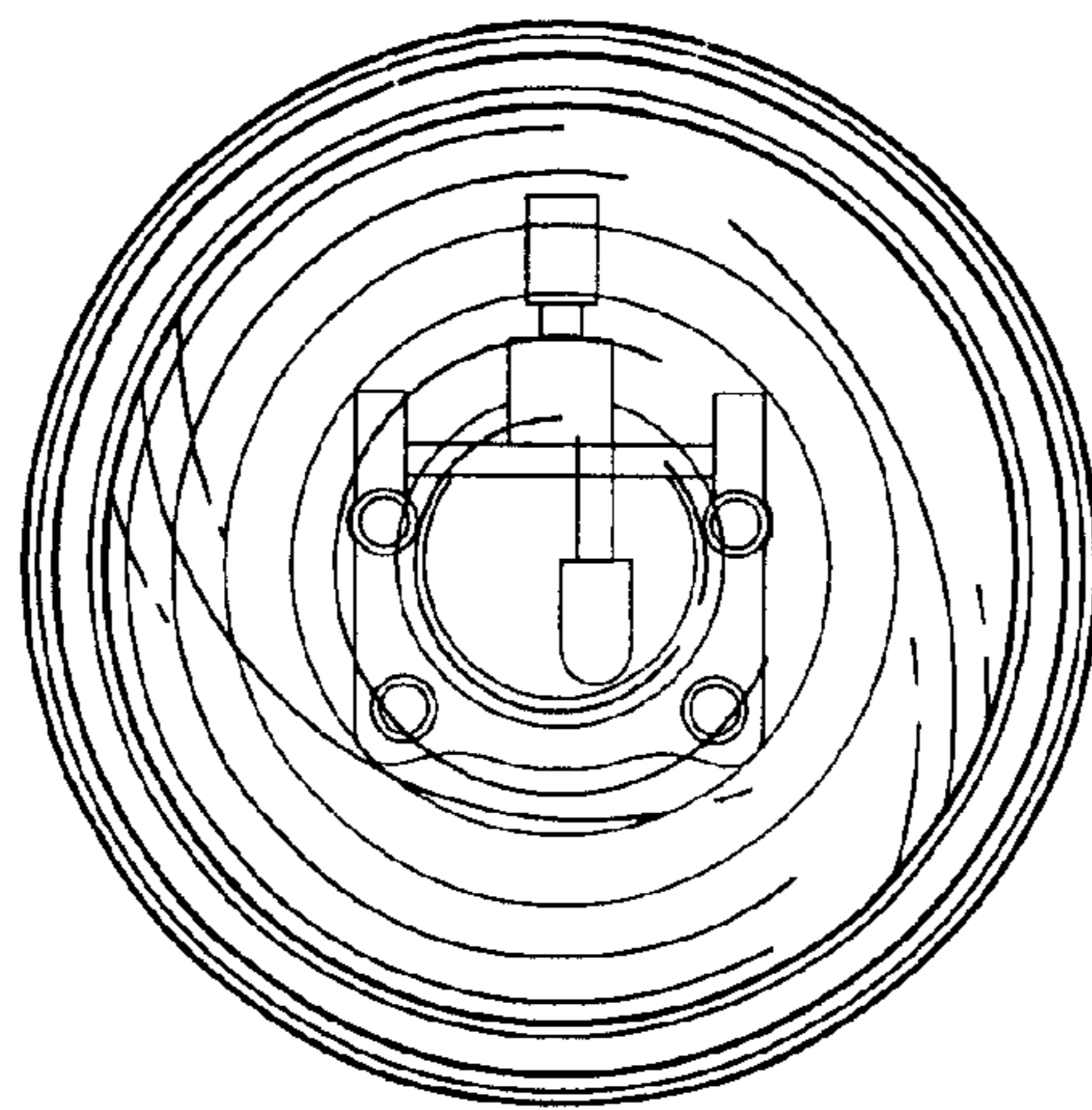
*FIG. 3*



*FIG. 4*



*FIG. 5*



*FIG. 6*