



US00D534036S

(12) **United States Design Patent**
Vlahos

(10) **Patent No.:** **US D534,036 S**

(45) **Date of Patent:** **** Dec. 26, 2006**

(54) **BUTTER DISH INSERT**

(76) Inventor: **Stephanie Vlahos**, 521 Marine View,
#F, Belmont, CA (US) 94002

(**) Term: **14 Years**

(21) Appl. No.: **29/240,891**

(22) Filed: **Oct. 13, 2005**

(51) **LOC (8) Cl.** **07-01**

(52) **U.S. Cl.** **D7/502**

(58) **Field of Classification Search** D7/502,
D7/602, 629, 538-542, 637-641; 220/796,
220/799, 592.1, 921, 574-575; D9/430-432,
D9/455, 456; D8/71; D32/55, 56

See application file for complete search history.

(56) **References Cited**

U.S. PATENT DOCUMENTS

D179,021	S	*	10/1956	McDonnell	D7/502
3,268,111	A	*	8/1966	Duddy	220/574
3,563,404	A	*	2/1971	Barchus	220/799
3,709,397	A	*	1/1973	Daenen	220/796
D261,214	S	*	10/1981	Oelzner	D7/502

D297,200	S	*	8/1988	DeVito	D7/502
D302,923	S	*	8/1989	Schmidt et al.	D7/552.1
D391,809	S	*	3/1998	Jeppesen et al.	D7/629
D401,119	S	*	11/1998	Demore	D7/609

* cited by examiner

Primary Examiner—Terry A. Wallace

(74) *Attorney, Agent, or Firm*—Buchanan, Ingersoll & Rooney P.C.

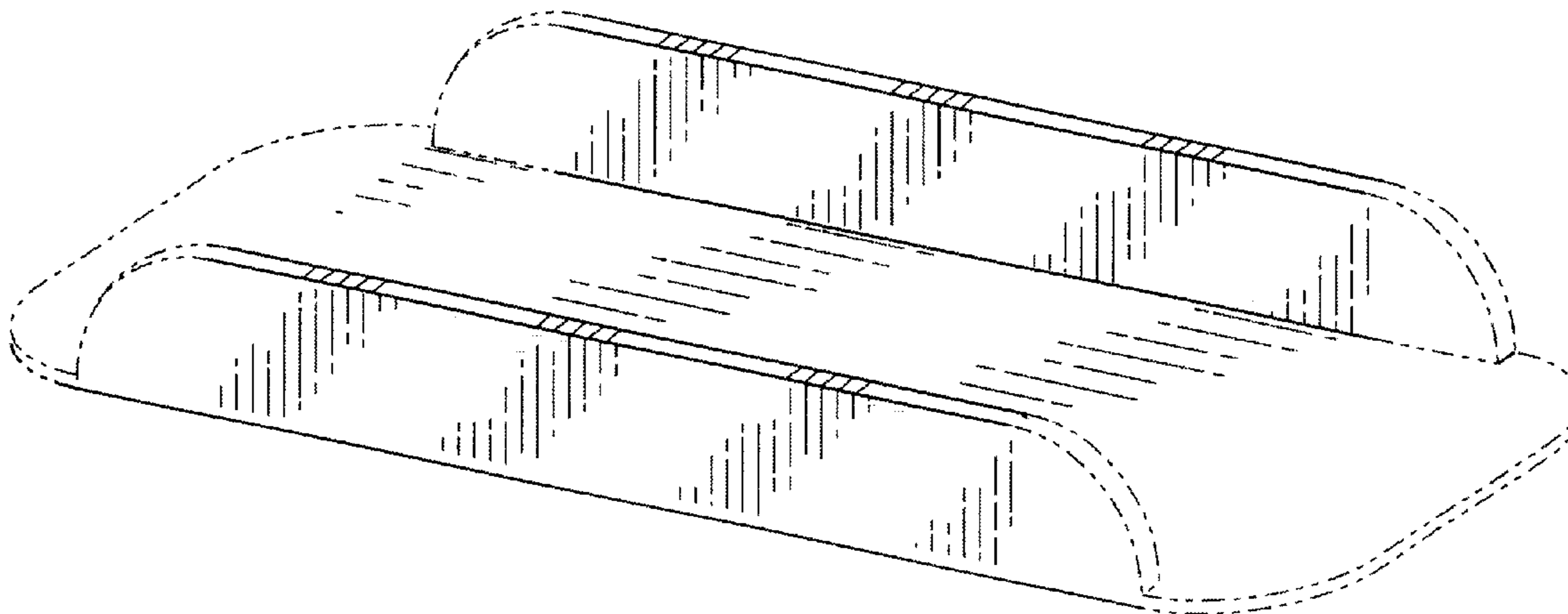
(57) **CLAIM**

The ornamental design for a butter dish insert, as shown and described.

DESCRIPTION

FIG. 1 is a perspective view.
 FIG. 2 is a top plan view.
 FIG. 3 is a bottom plan view.
 FIG. 4 is a left side elevation view.
 FIG. 5 is a right side elevation view.
 FIG. 6 is a front end elevation view; and,
 FIG. 7 is a back end elevation view.
 The broken line showing is for illustrative purposes only and forms no part of the claimed design.

1 Claim, 2 Drawing Sheets



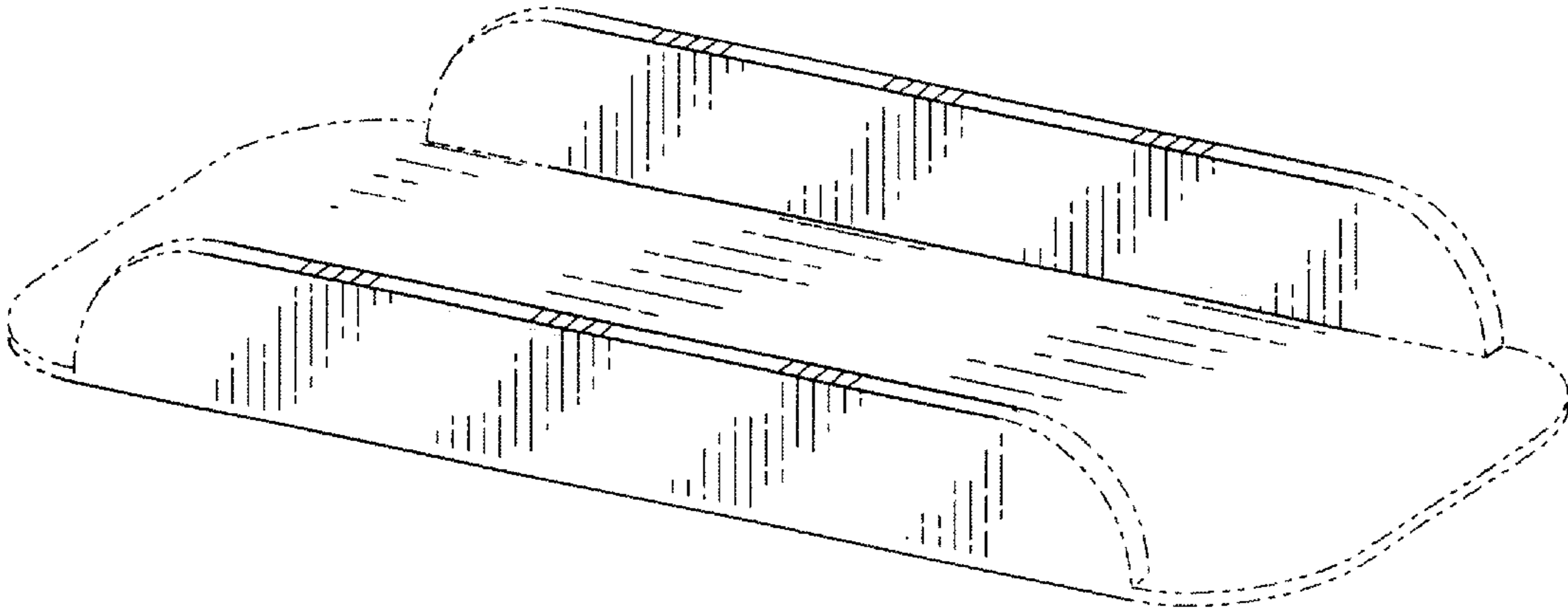


FIG. 1

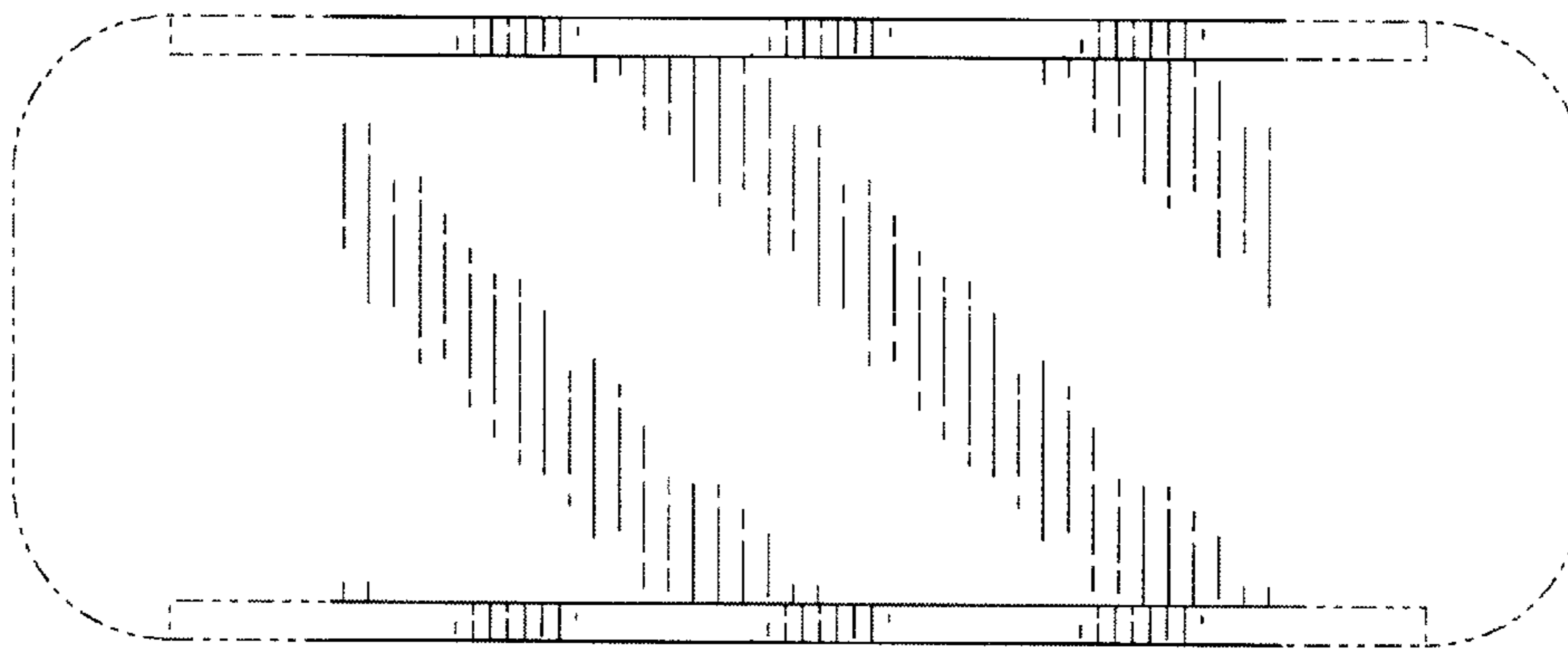


FIG. 2

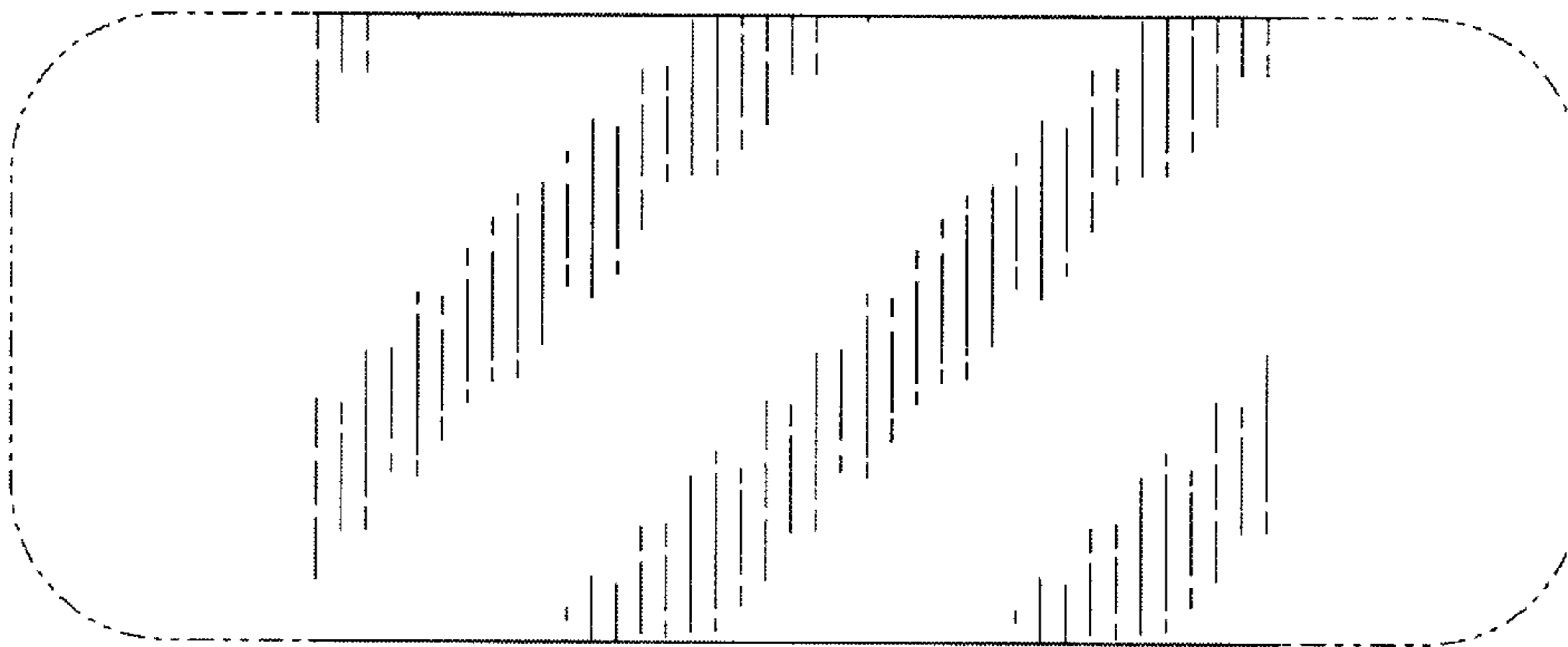


FIG. 3

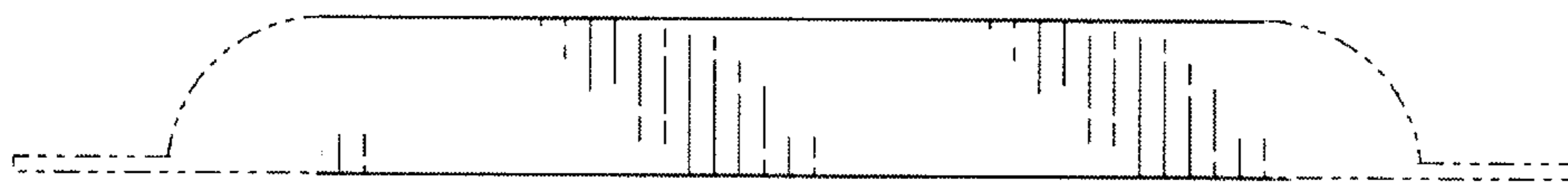


FIG. 4

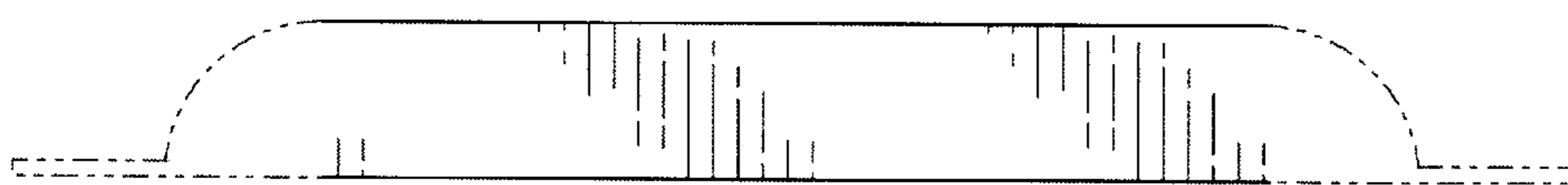


FIG. 5

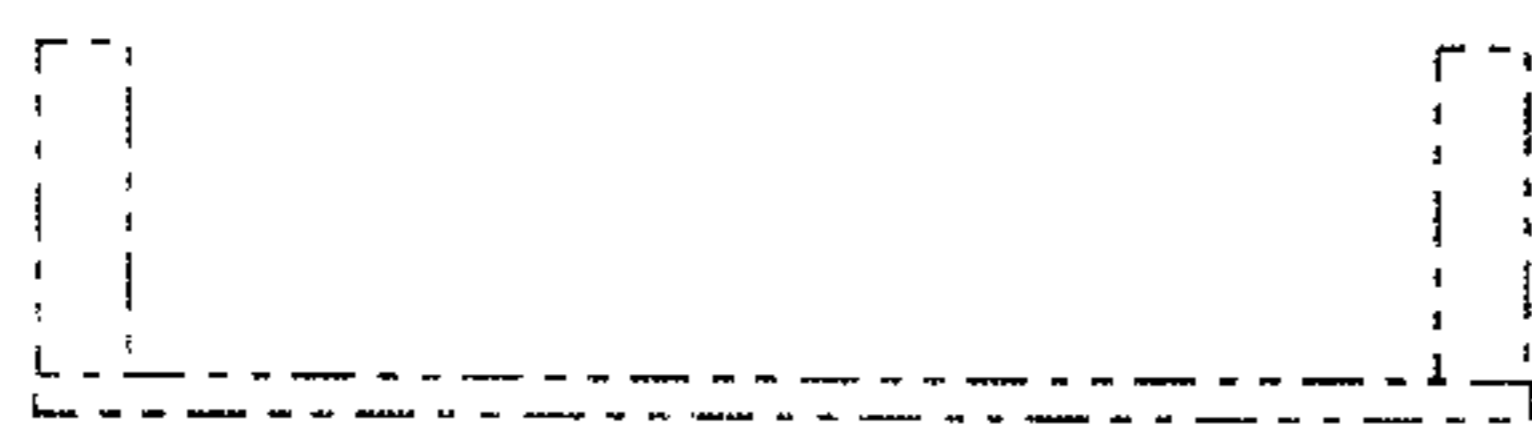


FIG. 6

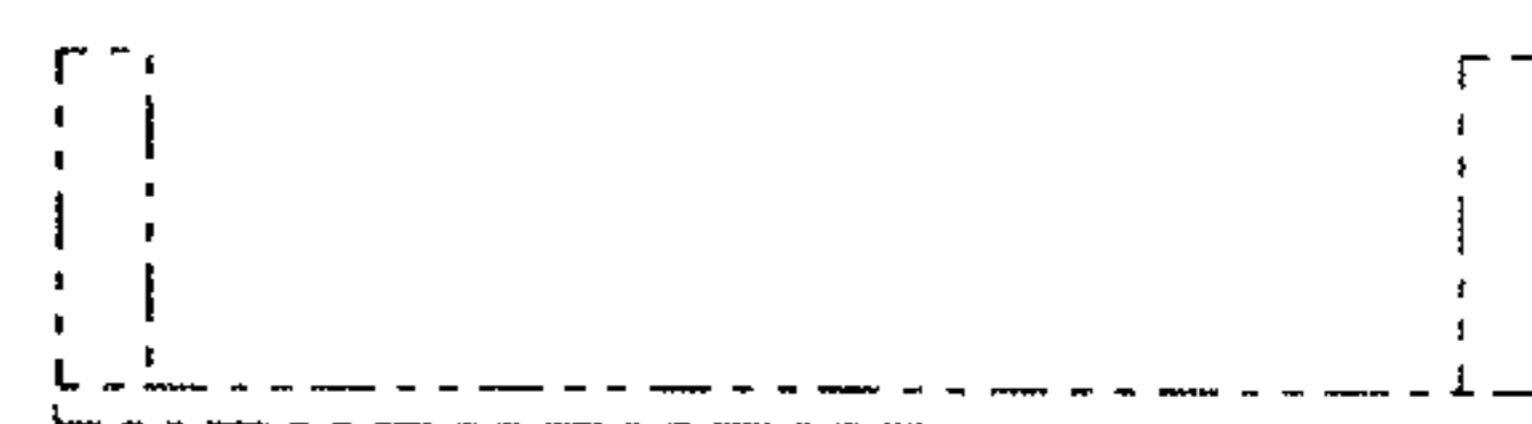


FIG. 7