



US00D534031S

(12) **United States Design Patent**  
**Roussard**

(10) **Patent No.:** **US D534,031 S**  
(45) **Date of Patent:** **\*\* Dec. 26, 2006**

(54) **PRESSURE COOKER**

(75) Inventor: **Phillippe Roussard**, Is sur Tille (FR)

(73) Assignee: **SEB**, Selongey (FR)

(\*\*) Term: **14 Years**

(21) Appl. No.: **29/237,731**

(22) Filed: **Sep. 7, 2005**

(30) **Foreign Application Priority Data**

Mar. 10, 2005 (FR) ..... 05 1416

(51) **LOC (8) Cl.** ..... **07-02**

(52) **U.S. Cl.** ..... **D7/358**

(58) **Field of Classification Search** ..... D7/323,  
D7/354-361; 99/324, 325, 329 R, 330-339;  
220/203.01, 203.07, 303, 573.1

See application file for complete search history.

(56) **References Cited**

**U.S. PATENT DOCUMENTS**

D253,388 S	*	11/1979	Boldt et al.	.....	D7/358
D329,570 S	*	9/1992	Gerlach	.....	D7/360
D347,963 S	*	6/1994	Pretzsch	.....	D7/360
5,370,259 A	*	12/1994	Cartigny	.....	220/316
D370,381 S	*	6/1996	Roussard	.....	D7/358
D373,287 S	*	9/1996	Antonio	.....	D7/361
D413,483 S	*	9/1999	Roussard	.....	D7/358
6,105,810 A	*	8/2000	Daenen et al.	.....	220/366.1
D448,965 S	*	10/2001	Jang-Won	.....	D7/360
D463,201 S	*	9/2002	Mendelson et al.	.....	D7/358
6,450,361 B1	*	9/2002	Mendelson et al.	.....	220/573.1
D465,126 S	*	11/2002	Mendelson et al.	.....	D7/358
6,523,459 B1	*	2/2003	Chameroy et al.	.....	99/337
D476,191 S	*	6/2003	Josancy	.....	D7/358
D480,262 S	*	10/2003	Smekh	.....	D7/360
D486,352 S	*	2/2004	Park	.....	D7/358

**FOREIGN PATENT DOCUMENTS**

EP	1535550	A1	*	1/2005
EP	1535553	A1	*	1/2005
GB	3004750		*	6/2002
WO	DM/062306		*	12/2002

**OTHER PUBLICATIONS**

U.S. Appl. No. 29/206,060, filed May 26, 2004, Roussard.

\* cited by examiner

*Primary Examiner*—Caron D. Veynar

*Assistant Examiner*—Ricky Pham

(74) *Attorney, Agent, or Firm*—Browdy and Neimark, PLLC

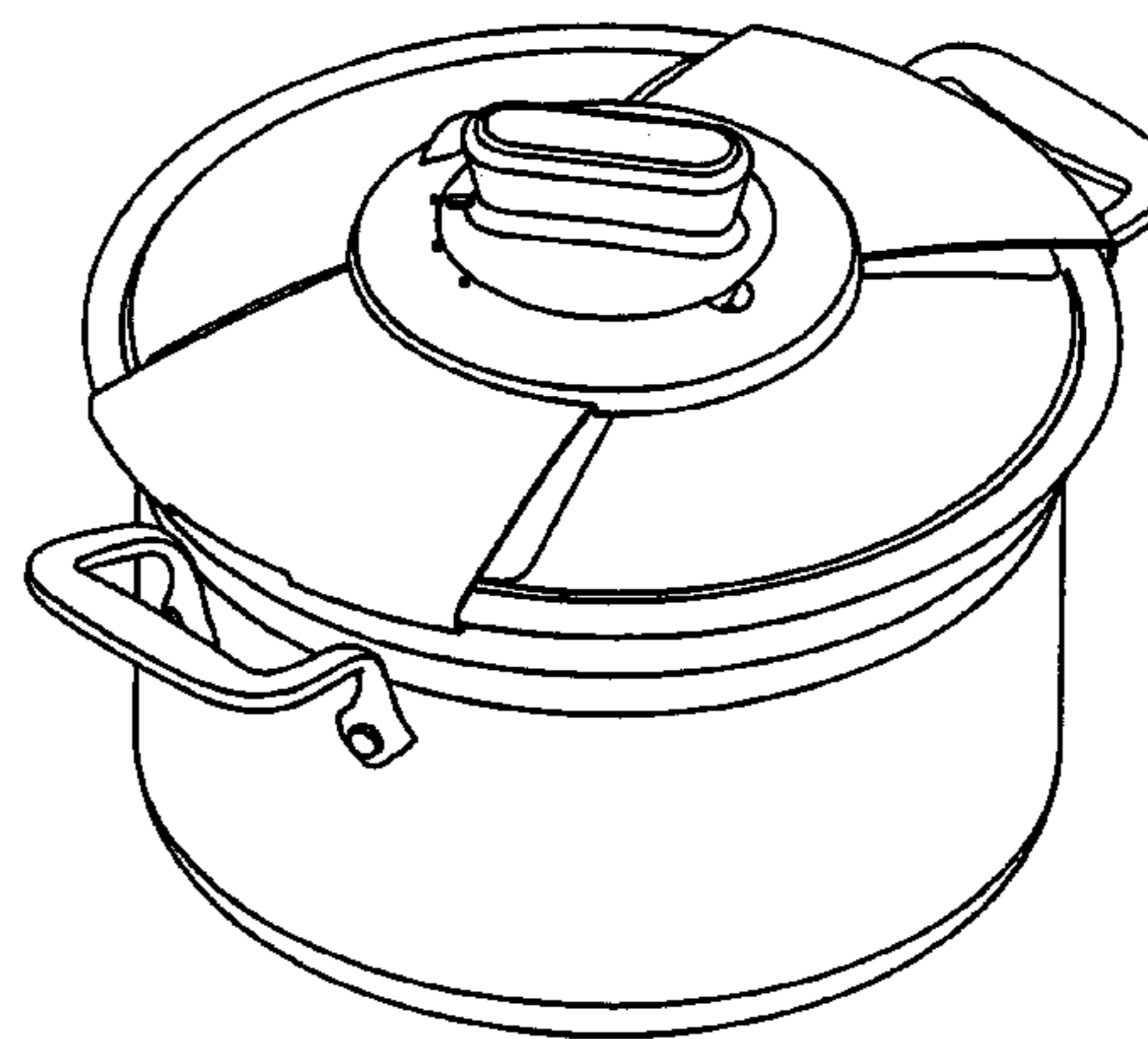
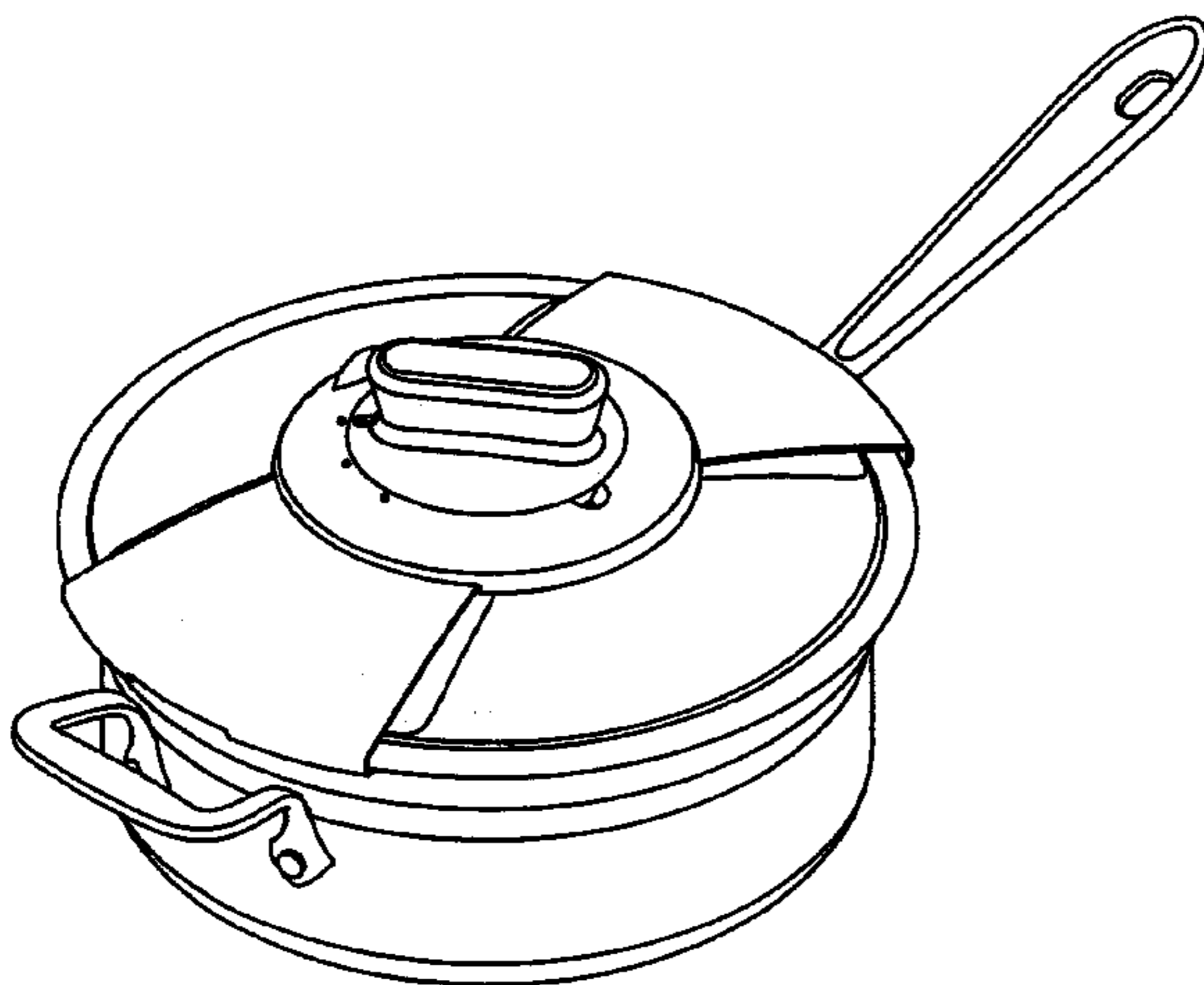
(57) **CLAIM**

The ornamental design for a pressure cooker, as shown.

**DESCRIPTION**

FIG. 1 is front elevational view for a pressure cooker in accordance with the present design;  
 FIG. 2 is a rear elevational view thereof;  
 FIG. 3 is a right side elevational view thereof;  
 FIG. 4 is a left side elevational view thereof;  
 FIG. 5 is a top plan view thereof;  
 FIG. 6 is a bottom plan view thereof;  
 FIG. 7 is a perspective view thereof;  
 FIG. 8 is a front view of a second embodiment of a pressure cooker in accordance with the present design;  
 FIG. 9 is a rear elevational view thereof;  
 FIG. 10 is a left side elevational view thereof;  
 FIG. 11 is a right side elevational view thereof;  
 FIG. 12 is a top plan view thereof;  
 FIG. 13 is a bottom plan view thereof; and,  
 FIG. 14 is a perspective view thereof.

**1 Claim, 14 Drawing Sheets**



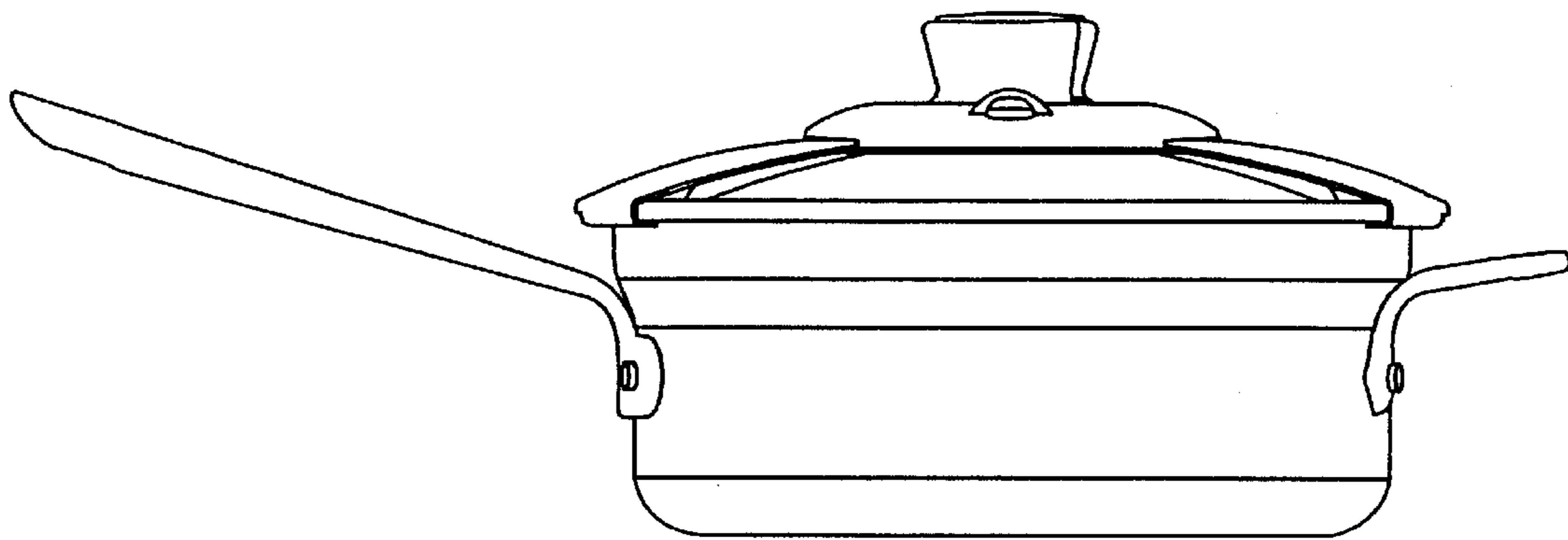


FIG. 1

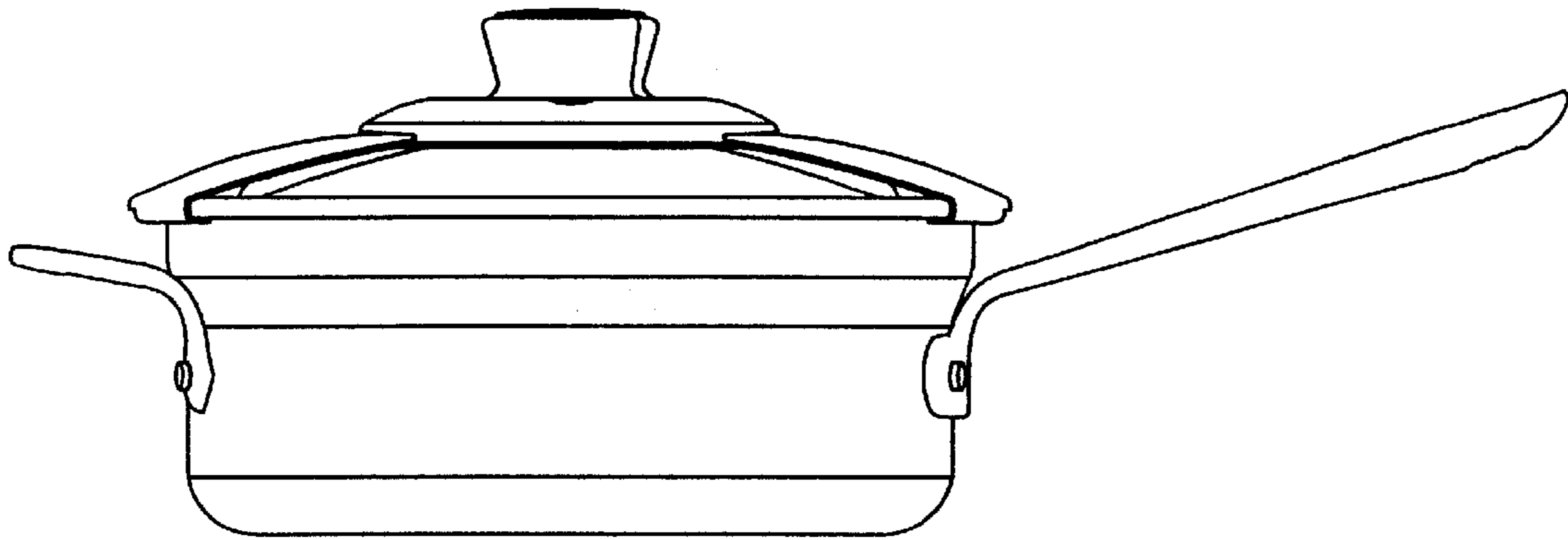
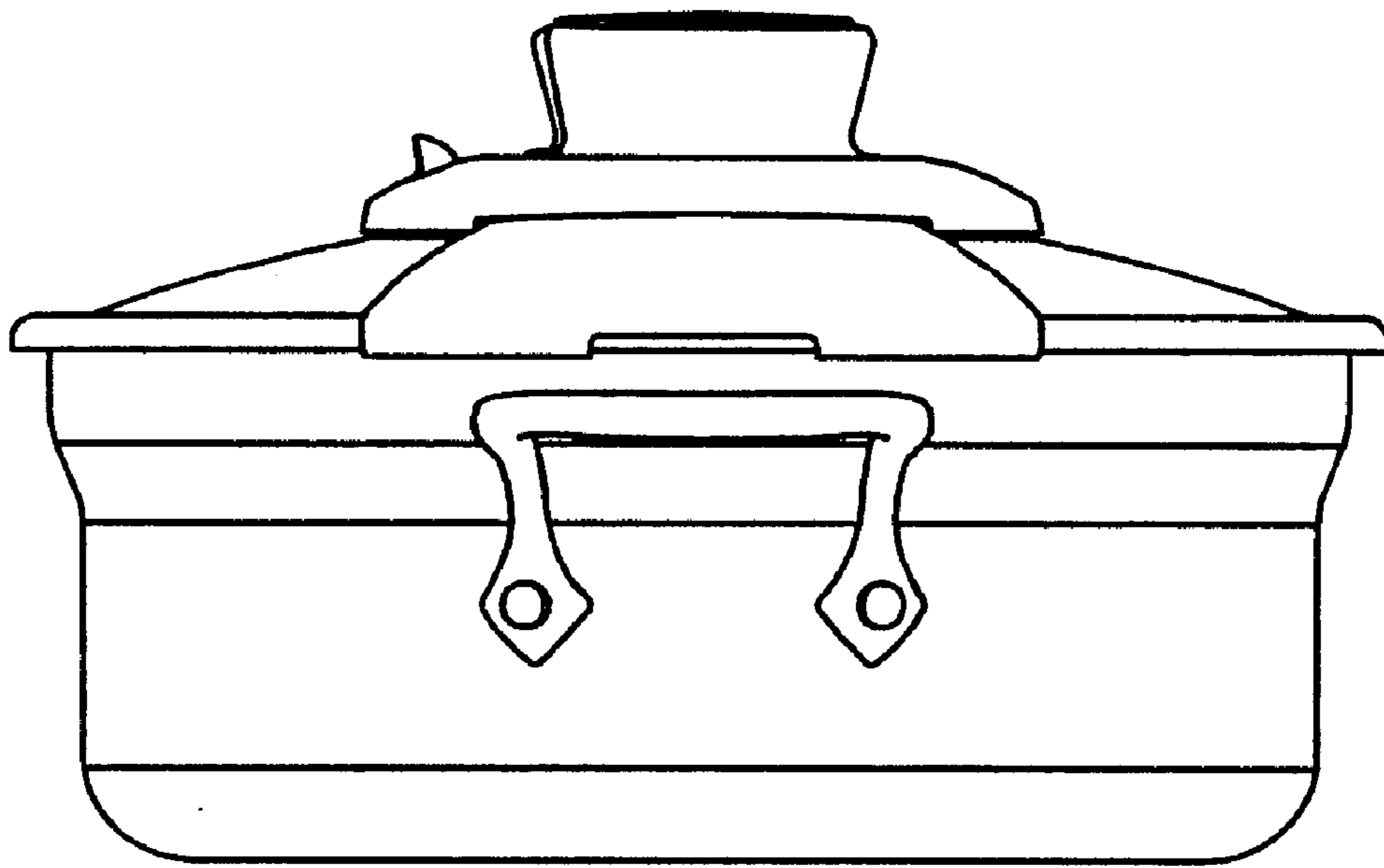
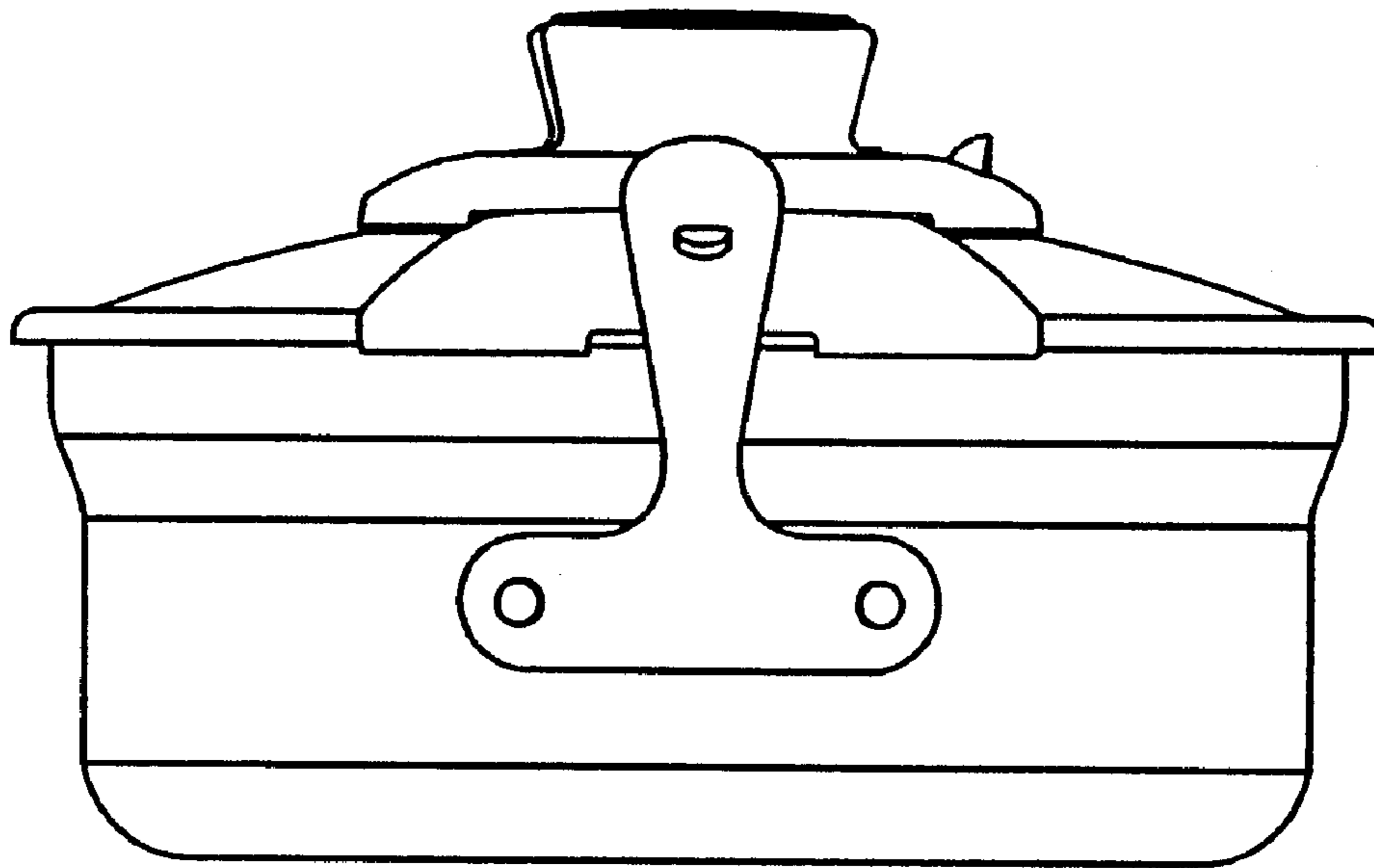


FIG. 2



**FIG. 3**



**FIG. 4**

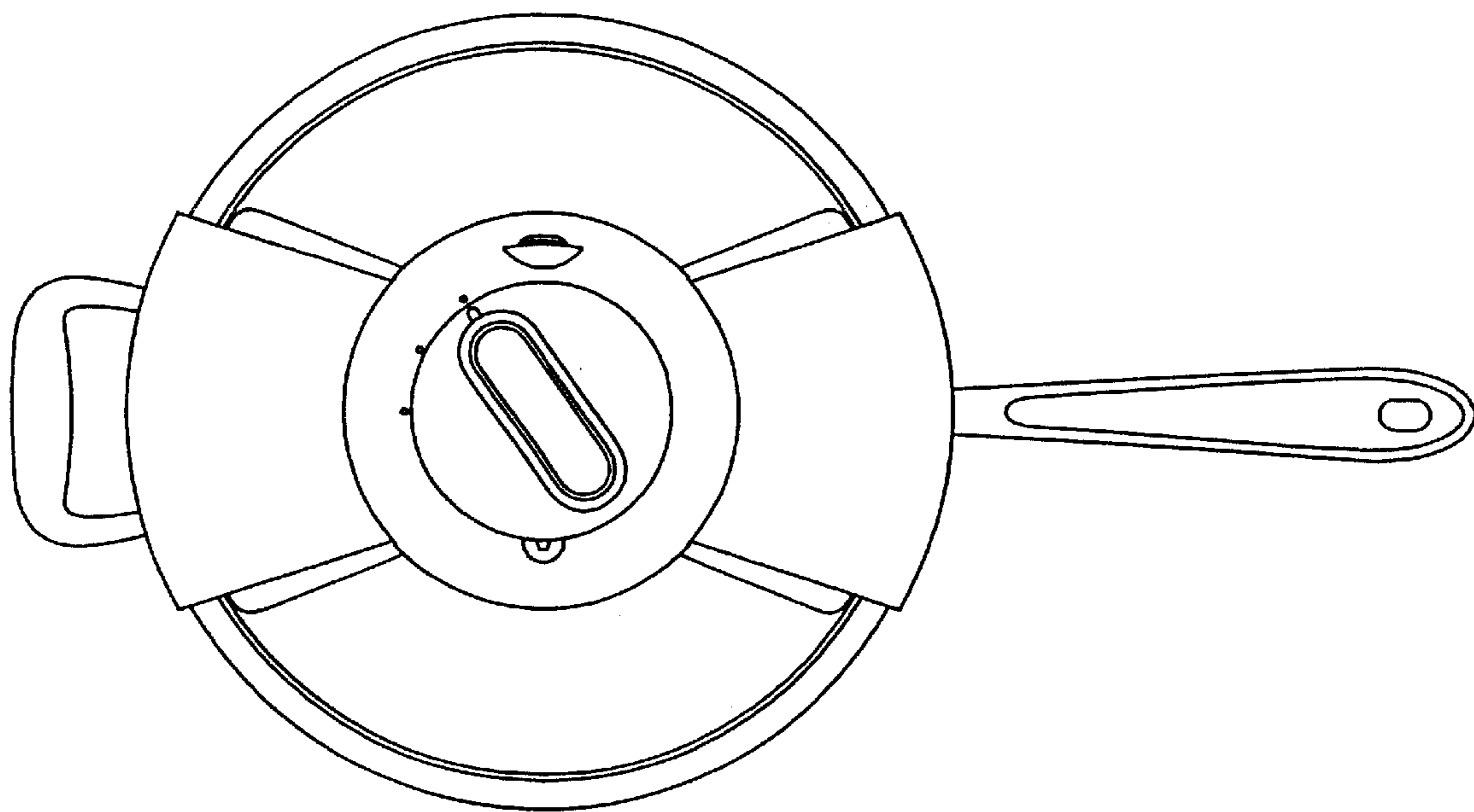


FIG. 5

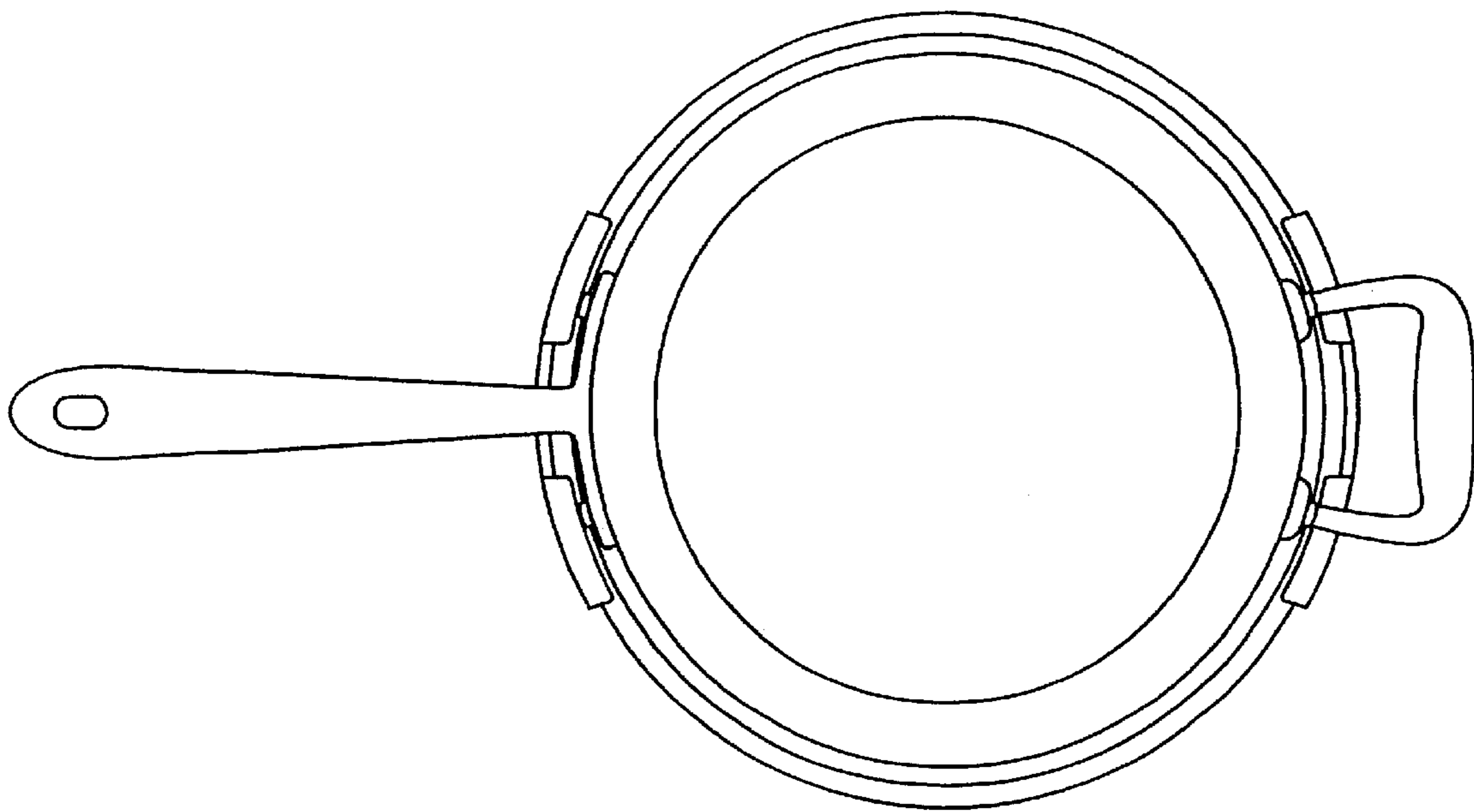


FIG. 6

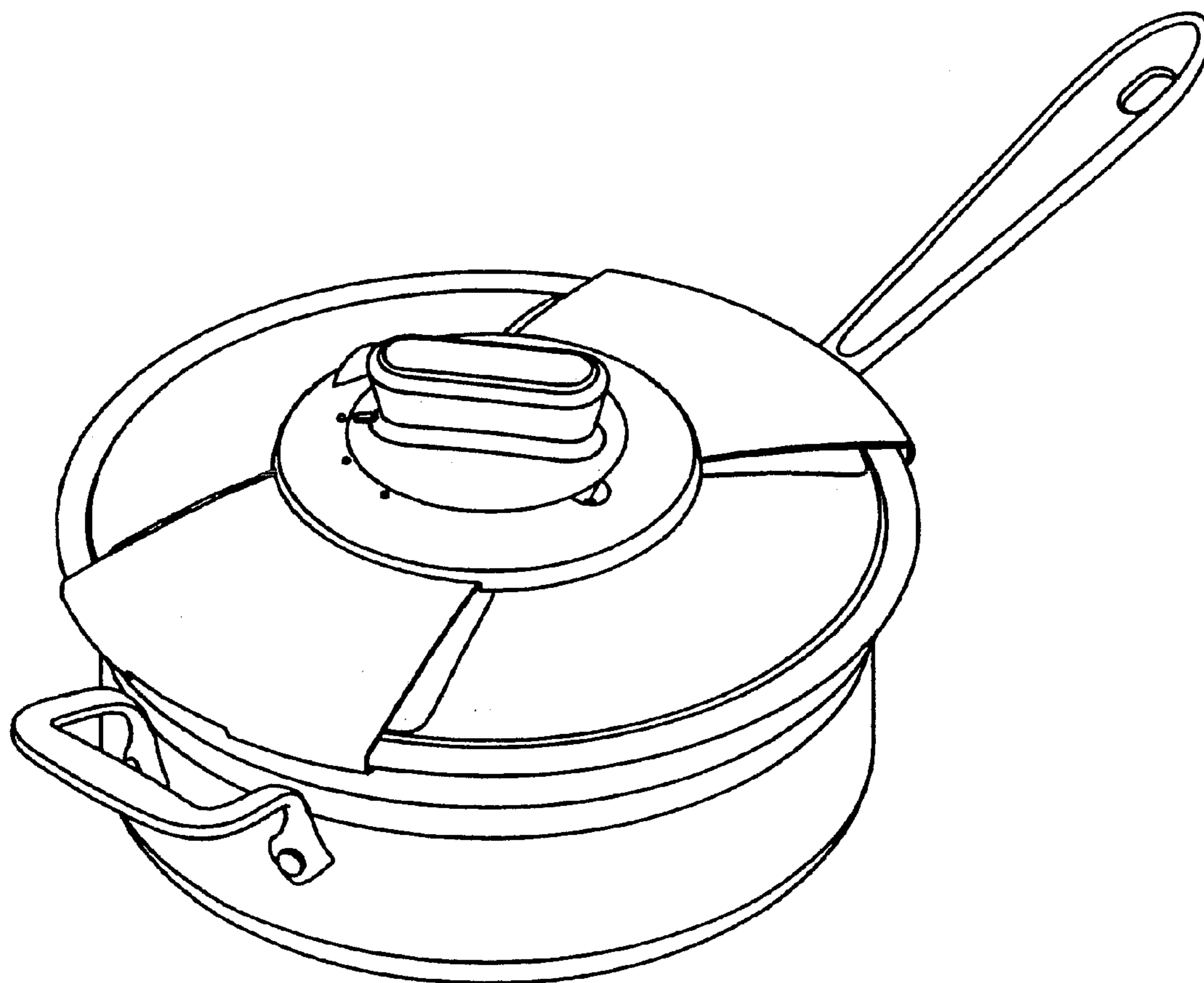
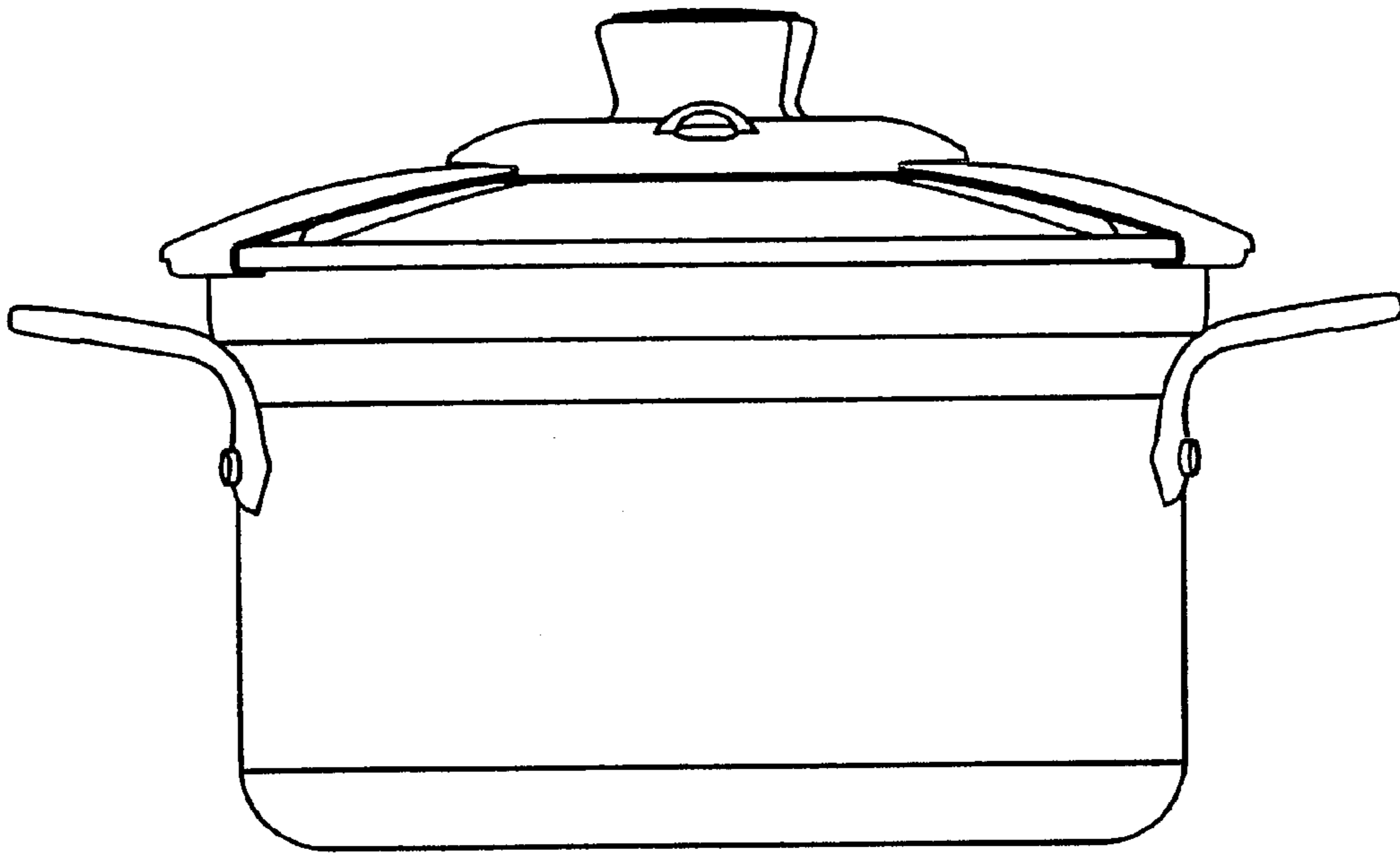


FIG. 7





**FIG. 8**

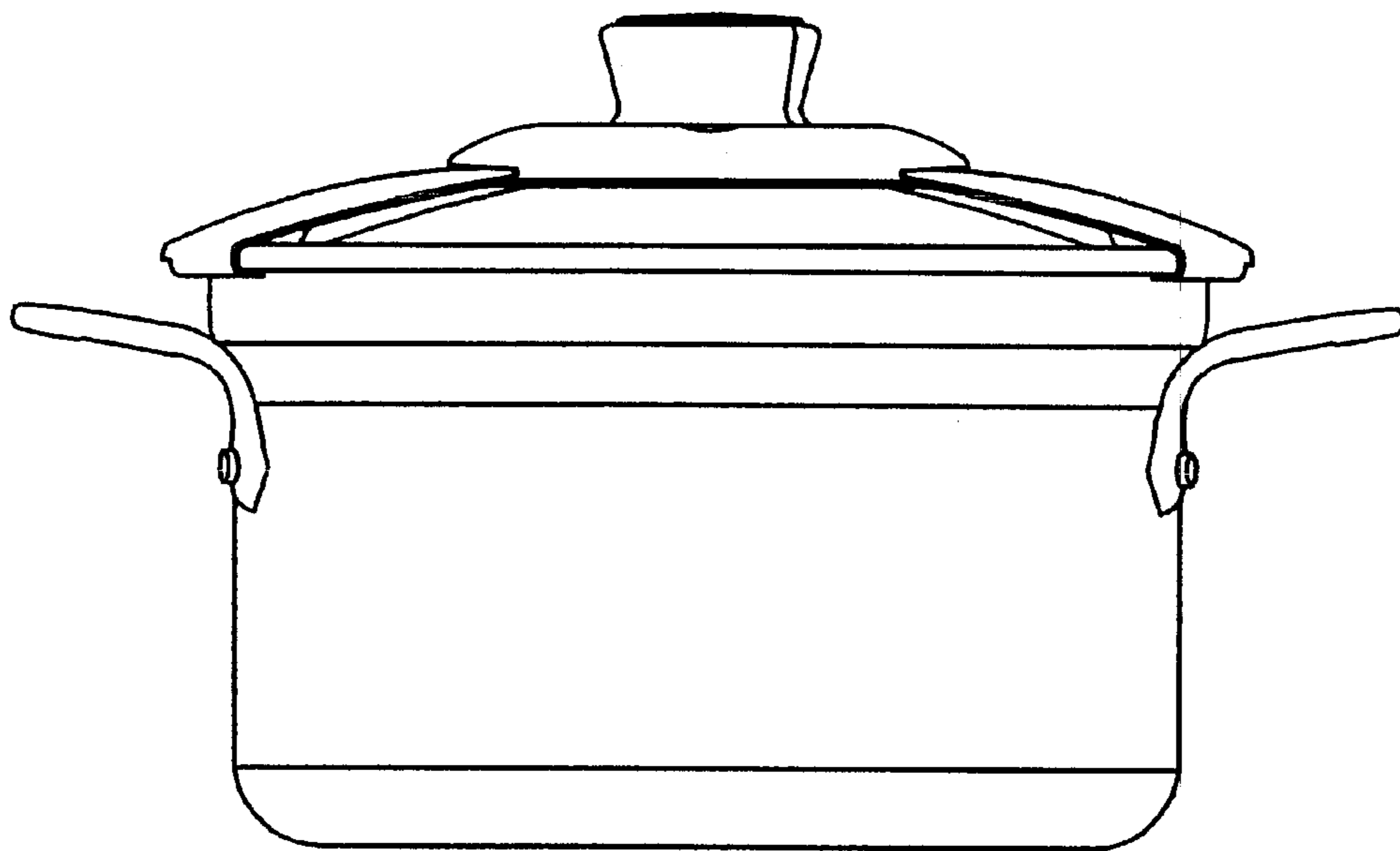
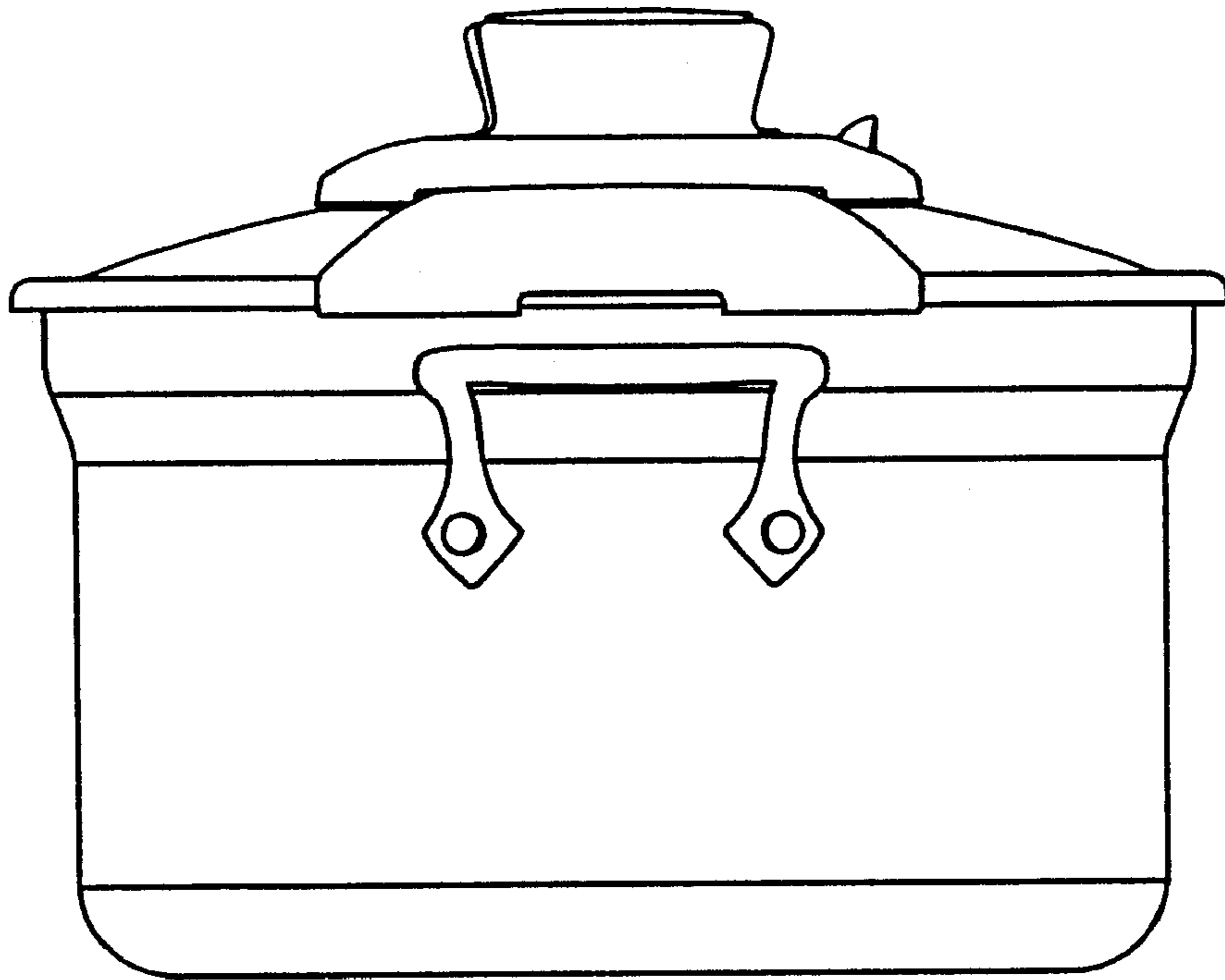
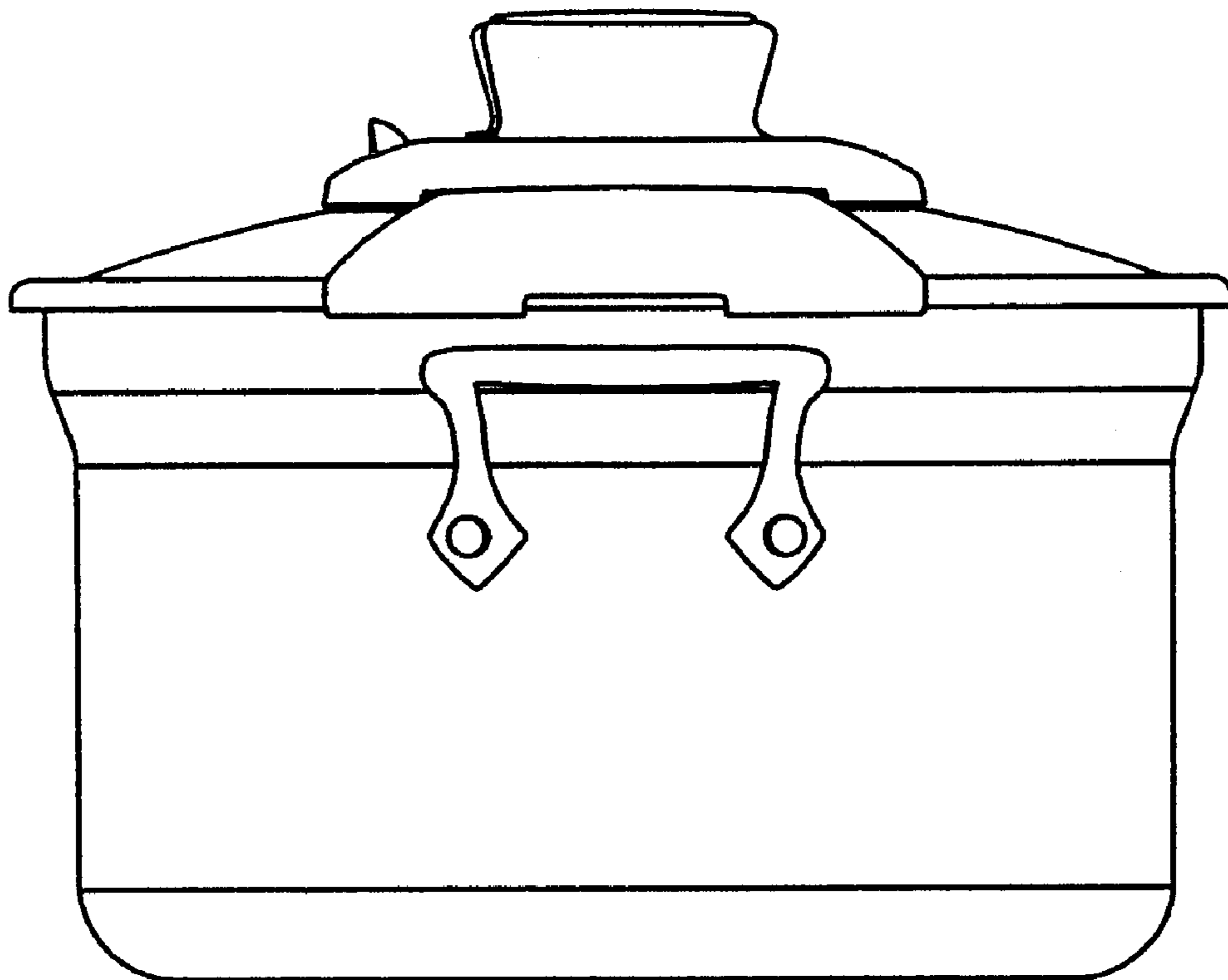


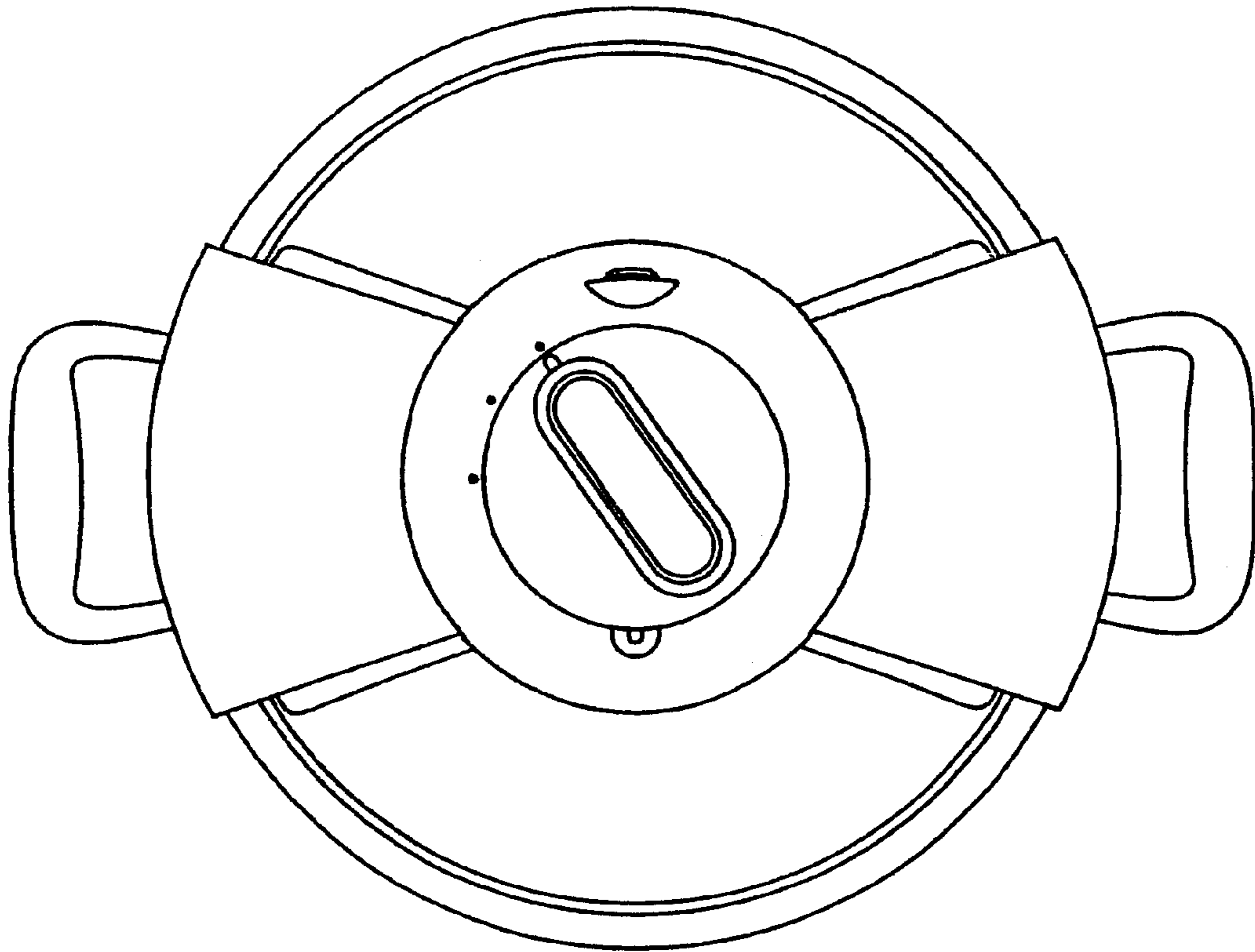
FIG. 9



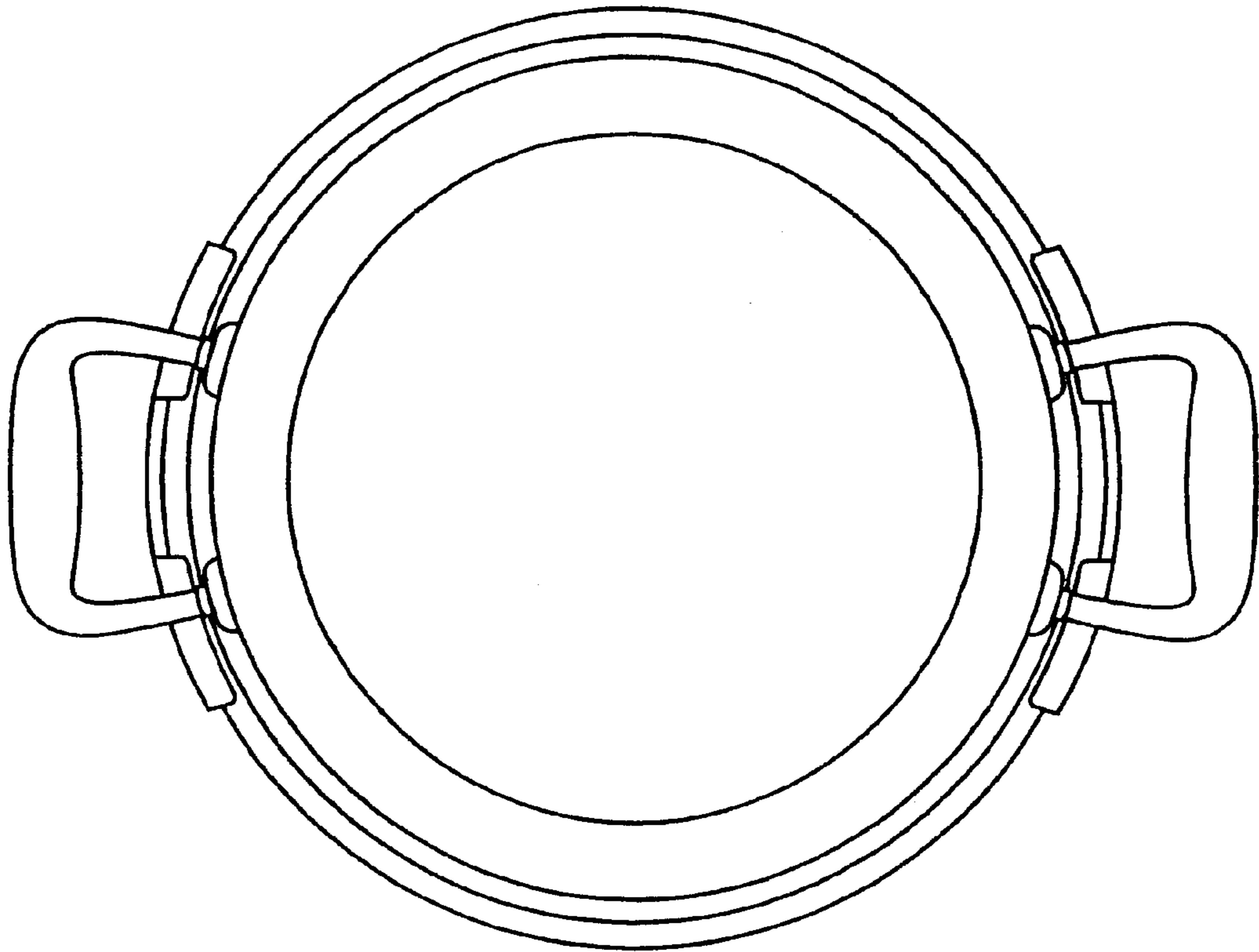
**FIG. 10**



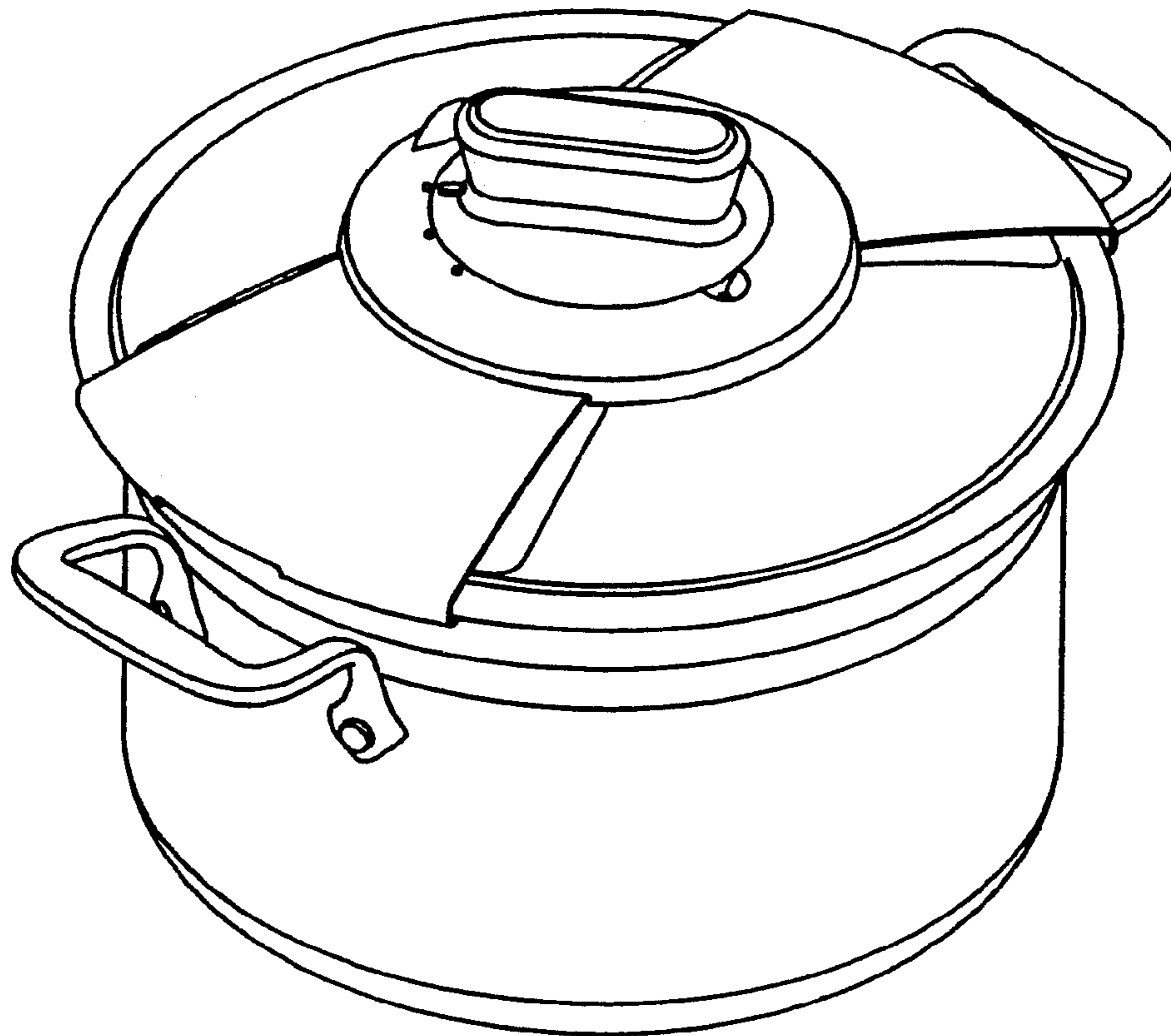
**FIG. 11**



**FIG. 12**



**FIG. 13**



**FIG. 14**