



US00D534029S

(12) **United States Design Patent**
Wright

(10) **Patent No.:** **US D534,029 S**

(45) **Date of Patent:** **** Dec. 26, 2006**

(54) **CAMPING OVEN**

2003/0194671 A1 10/2003 Webb

(75) Inventor: **Joshua M. Wright**, Hoboken, NJ (US)

* cited by examiner

(73) Assignee: **The Coleman Company, Inc.**, Wichita, KS (US)

Primary Examiner—Ruth McInroy

(74) *Attorney, Agent, or Firm*—Leydig, Voit & Mayer, Ltd.

(**) Term: **14 Years**

(57) **CLAIM**

The ornamental design for a camping oven, as shown and described.

(21) Appl. No.: **29/229,650**

(22) Filed: **May 10, 2005**

DESCRIPTION

(51) **LOC (8) Cl.** **07-02**

(52) **U.S. Cl.** **D7/350.4**

(58) **Field of Classification Search** D7/332,
D7/334–337, 350.1, 350.3, 350.4, 402–405,
D7/417; 126/25 R, 25 A, 25 AA, 25 B, 41 R,
126/50, 59, 59.5, 37 R, 9 R, 9 B, 29–30,
126/276, 332, 334, 275 R, 275 E, 19 M;
211/215, 134–135, 153; 99/340, 481–482,
99/444; 426/314; 312/236

See application file for complete search history.

FIG. 1 is a top, right front perspective view of a first embodiment of a camping oven in accordance with the present invention;

FIG. 2 is a front view thereof;

FIG. 3 is a rear view thereof;

FIG. 4 is a left side view thereof;

FIG. 5 is a right side view thereof;

FIG. 6 is a top view thereof;

FIG. 7 is a bottom view thereof;

FIG. 8 is a top, right front perspective view of a second embodiment of a camping oven, in accordance with the present invention;

FIG. 9 is a front view thereof;

FIG. 10 is a rear view thereof;

FIG. 11 is a left side view thereof;

FIG. 12 is a right side view thereof;

FIG. 13 is a top view thereof; and,

FIG. 14 is a bottom view thereof.

The broken line showing is for illustrative purposes only and forms no part of the claimed design.

(56) **References Cited**

U.S. PATENT DOCUMENTS

D119,607 S	*	3/1940	Brannon	D7/350.1
D169,357 S	*	4/1953	Budlong	D7/350.4
D174,460 S	*	4/1955	Moore	D7/350.4
D176,084 S	*	11/1955	Sado	D7/350.4
D183,701 S	*	10/1958	Munsey	D7/350.1
4,922,887 A		5/1990	Foxford		
5,195,500 A		3/1993	Lerner		
5,921,229 A		7/1999	Blake		

1 Claim, 8 Drawing Sheets

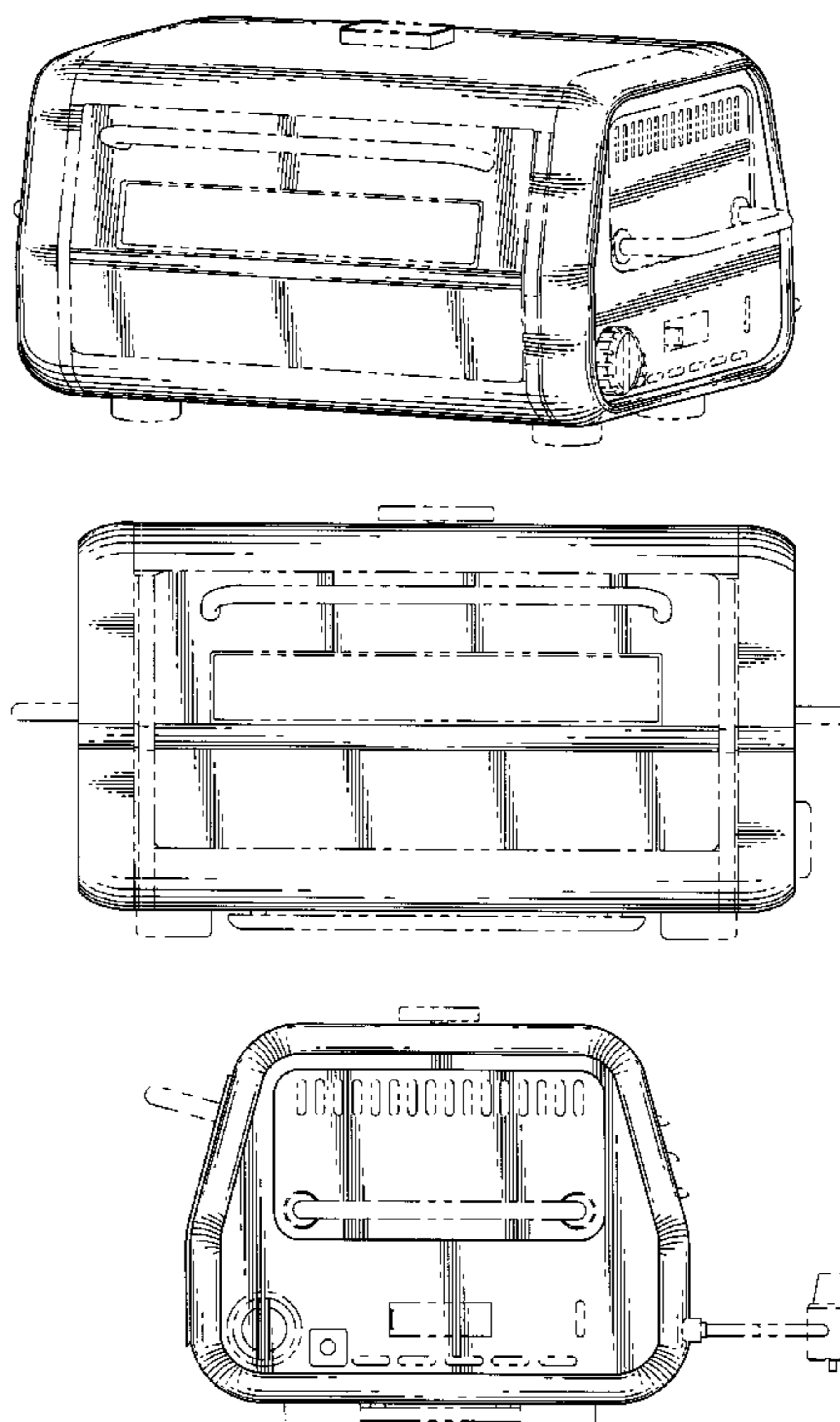


FIG. 1

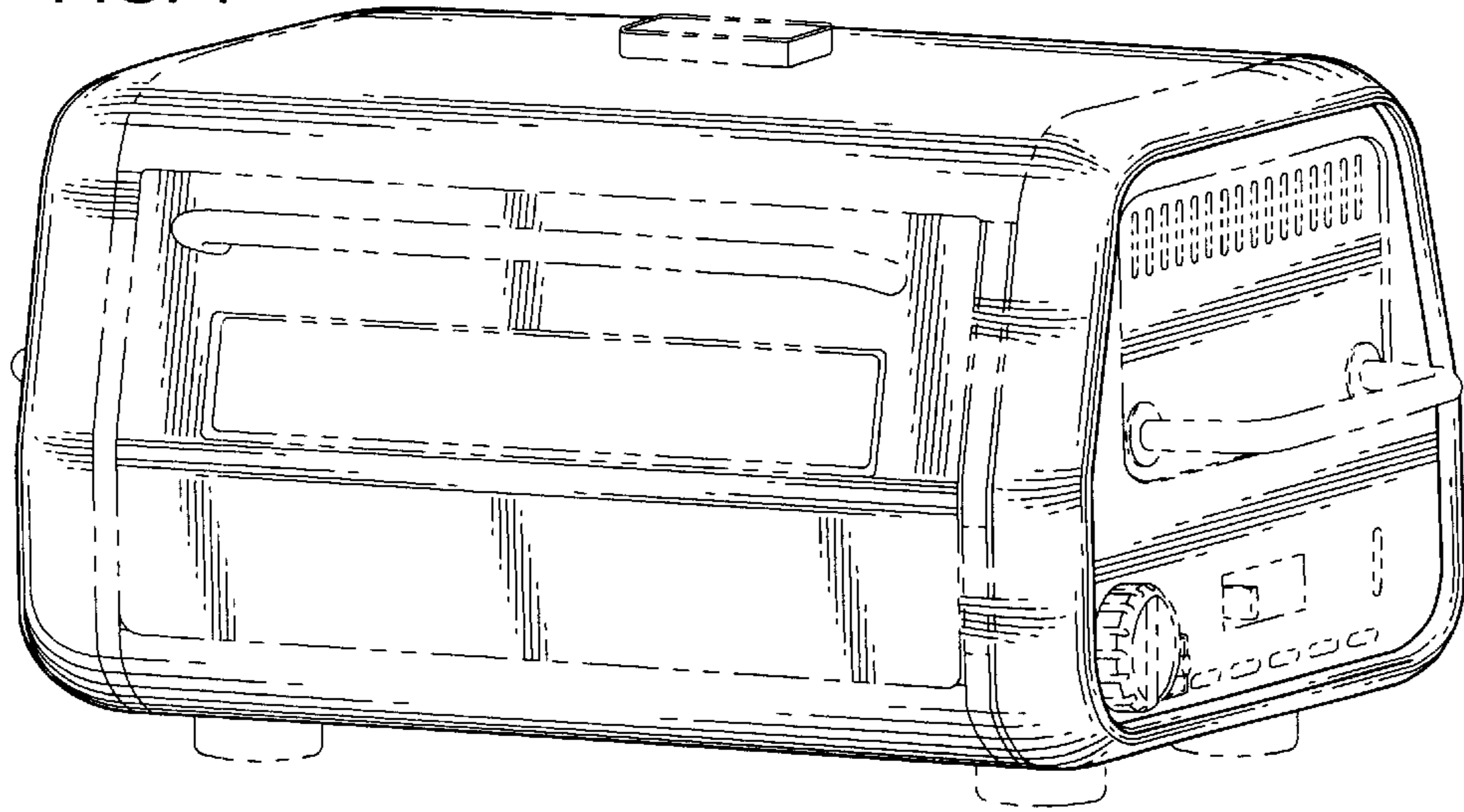


FIG. 2

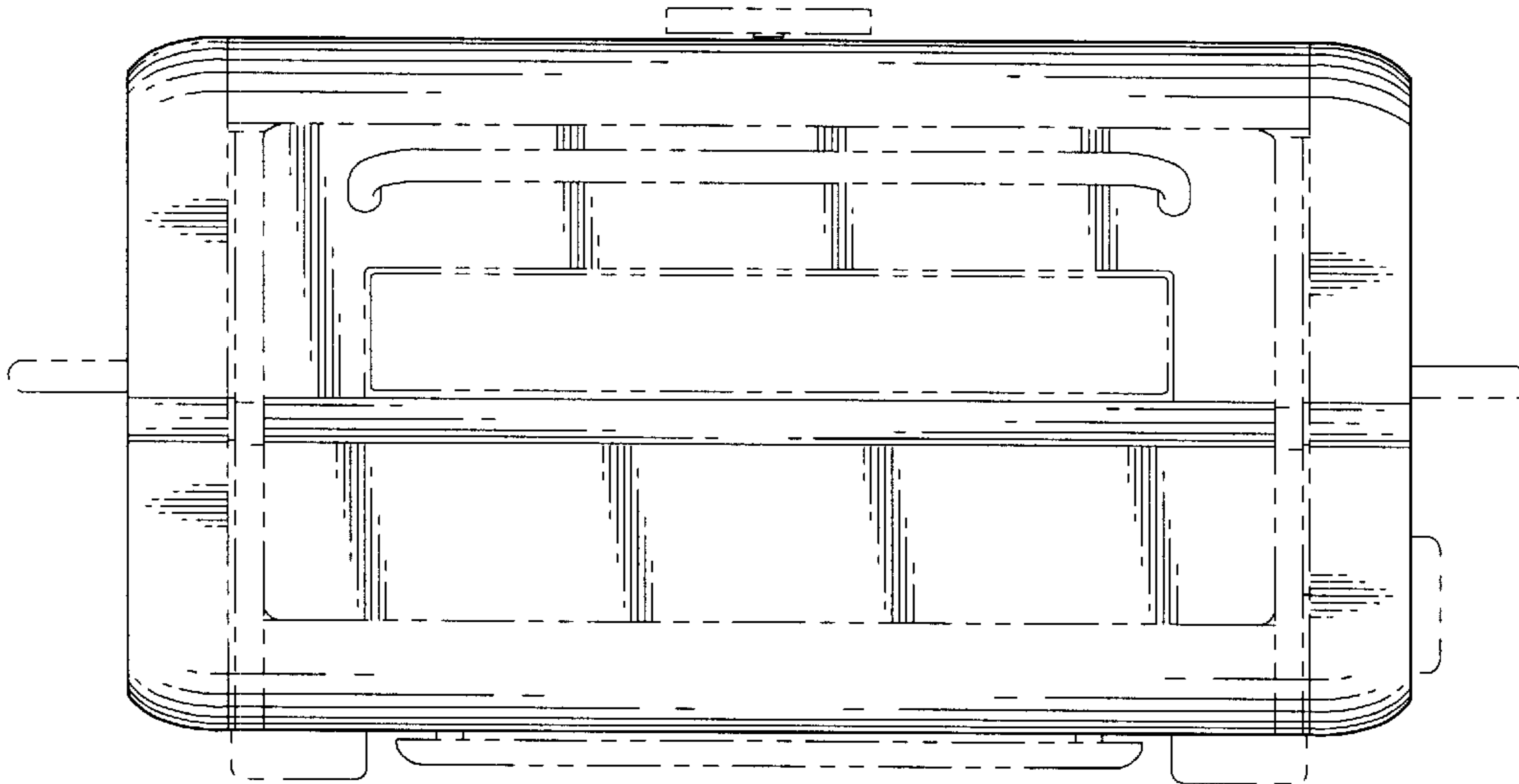


FIG. 3

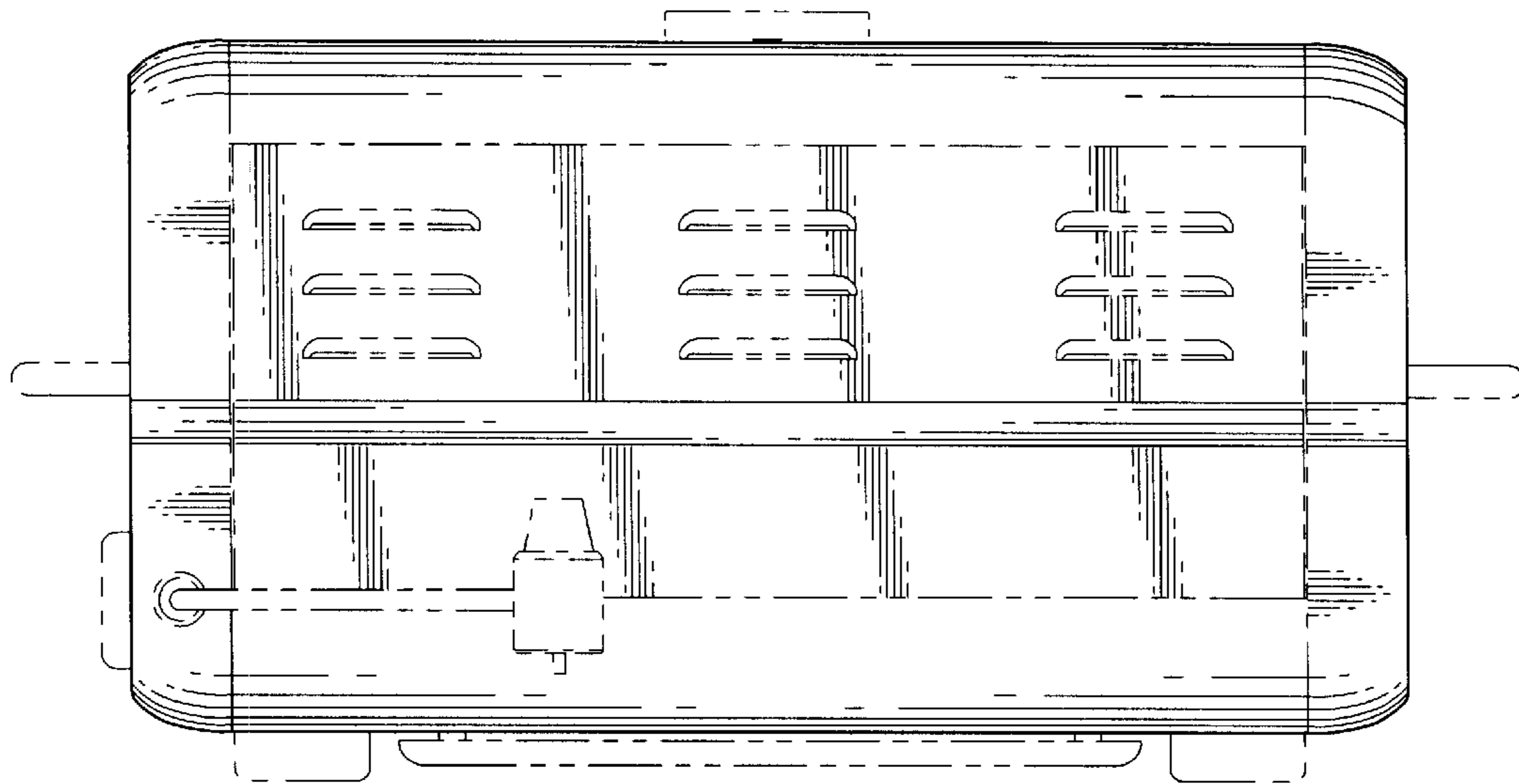


FIG. 4

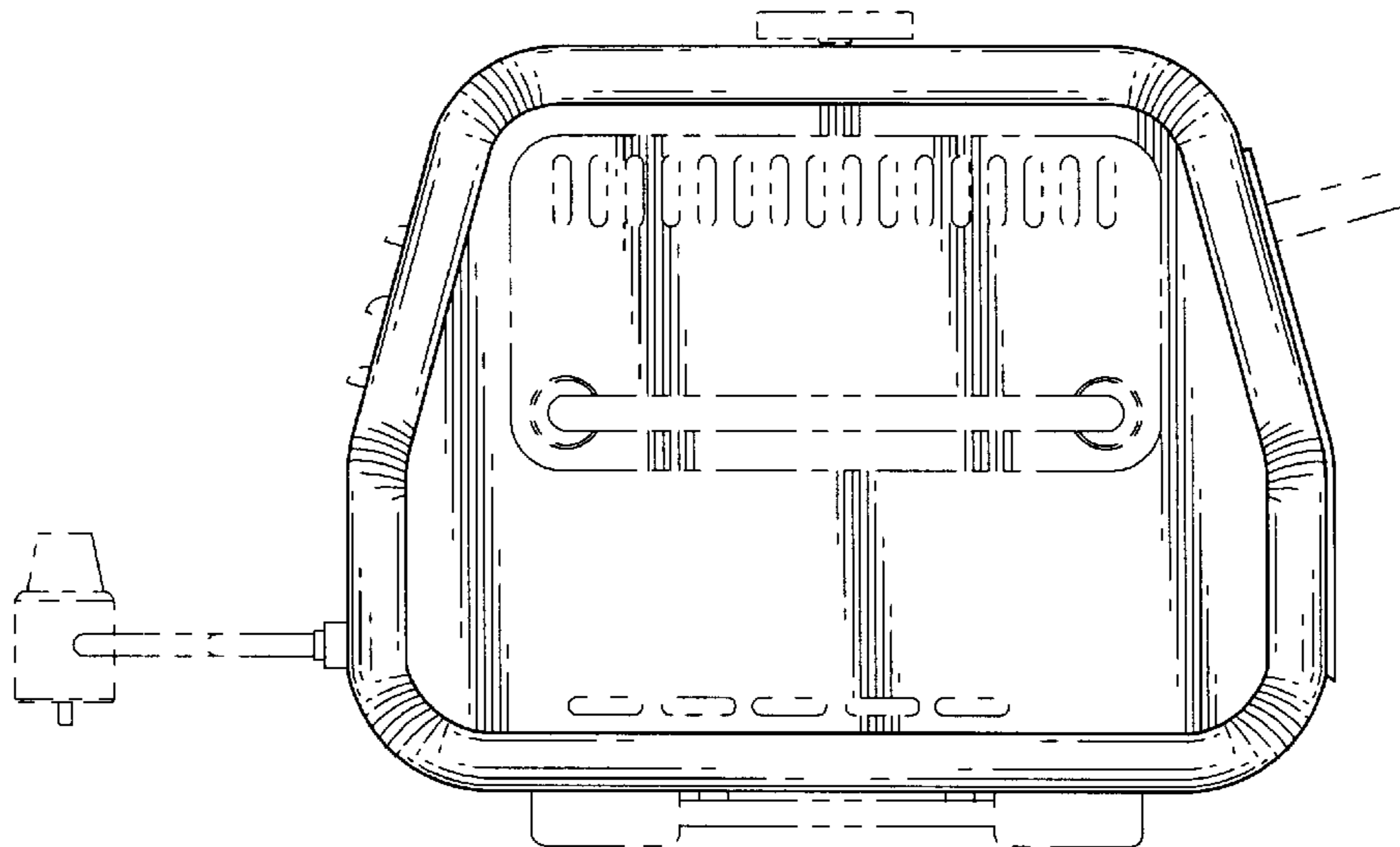


FIG. 5

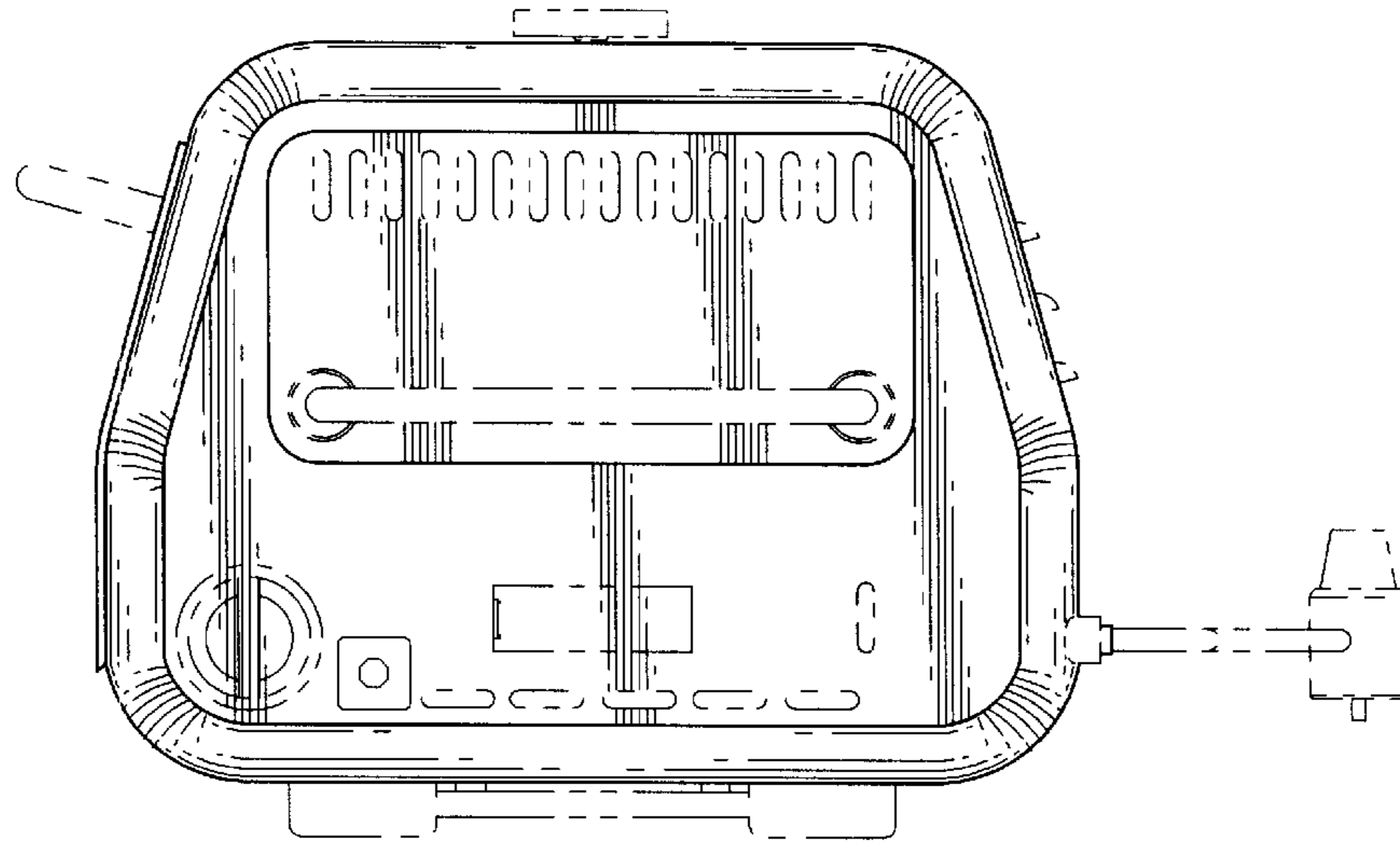


FIG. 6

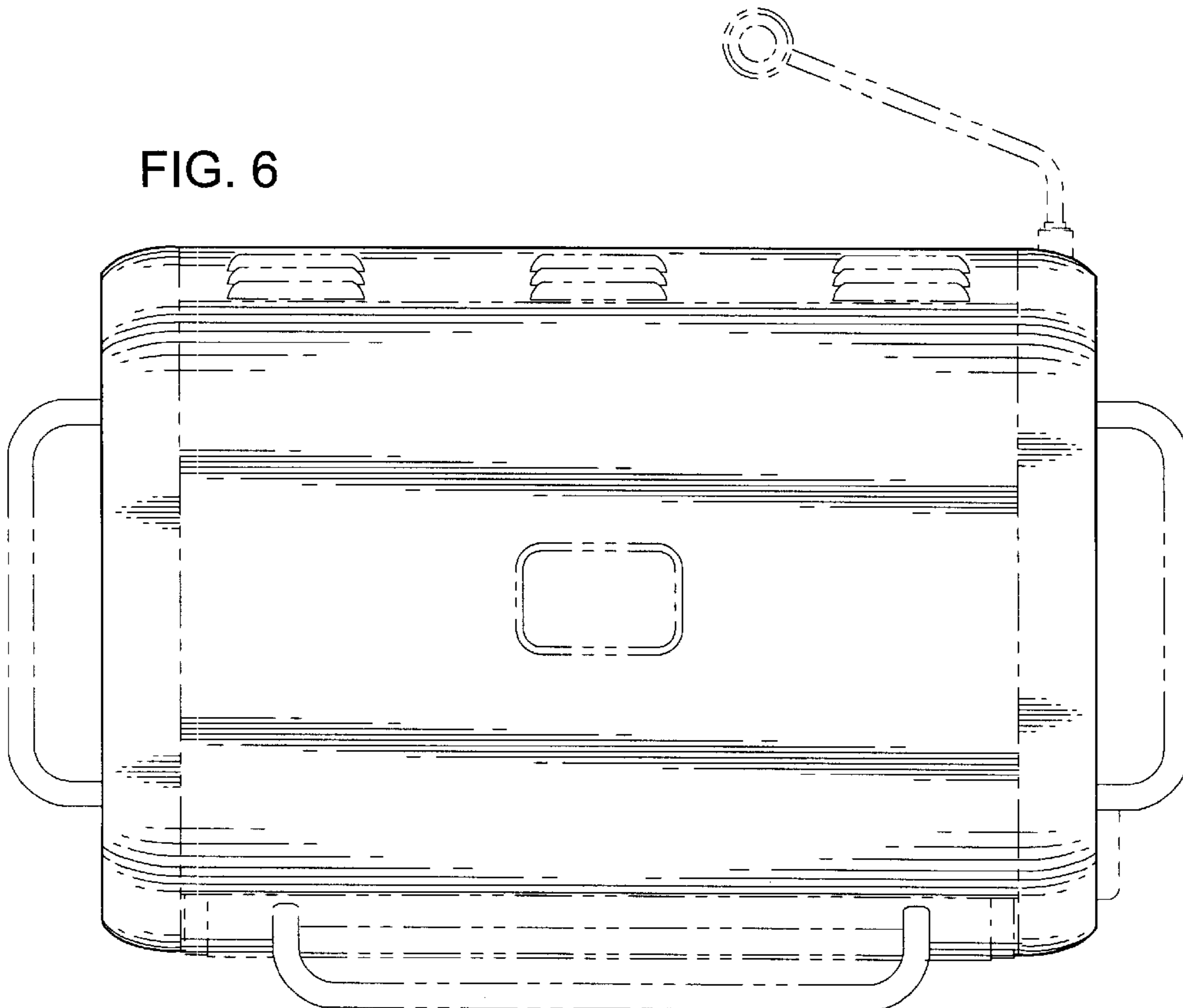


FIG. 7

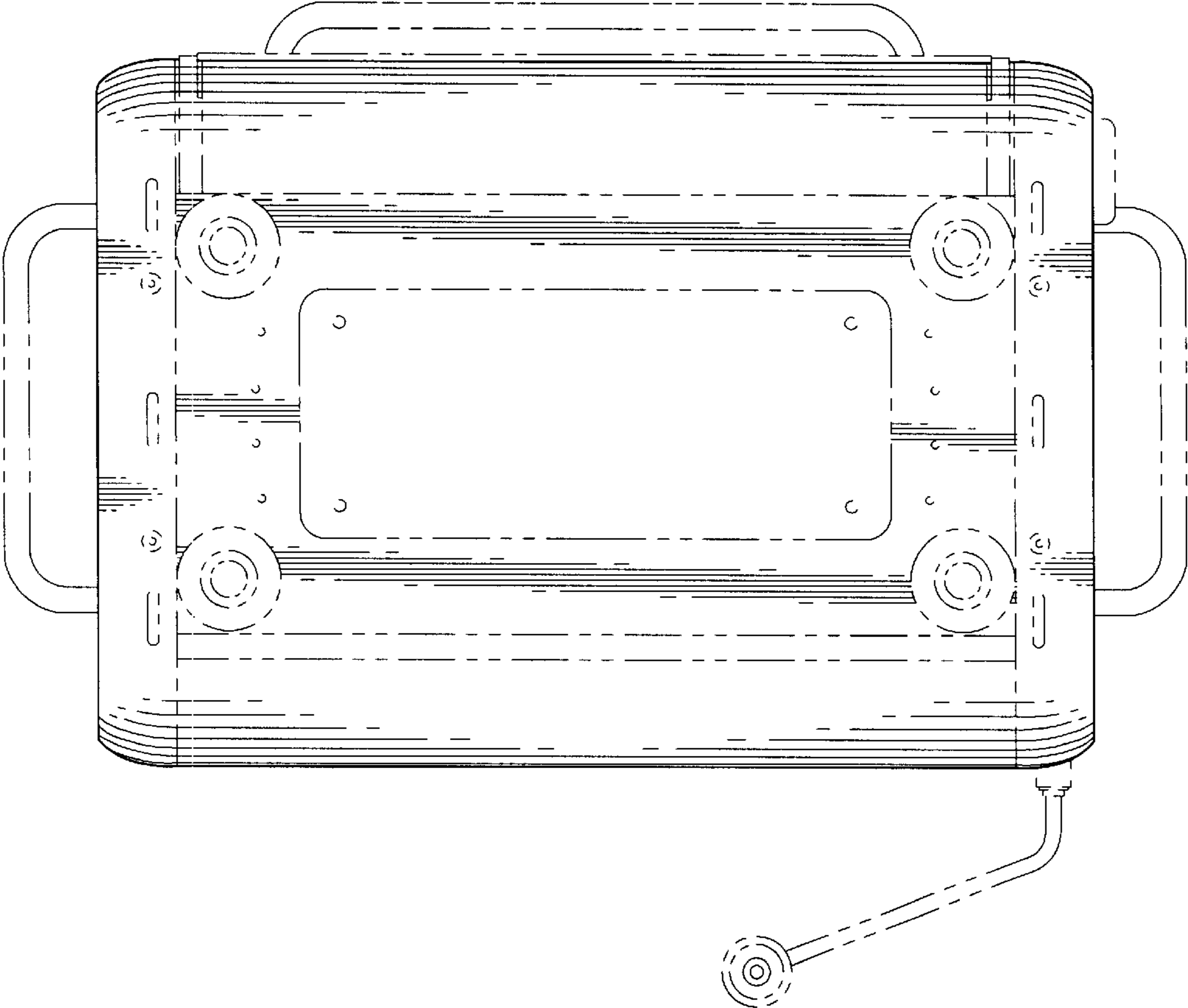


FIG. 8

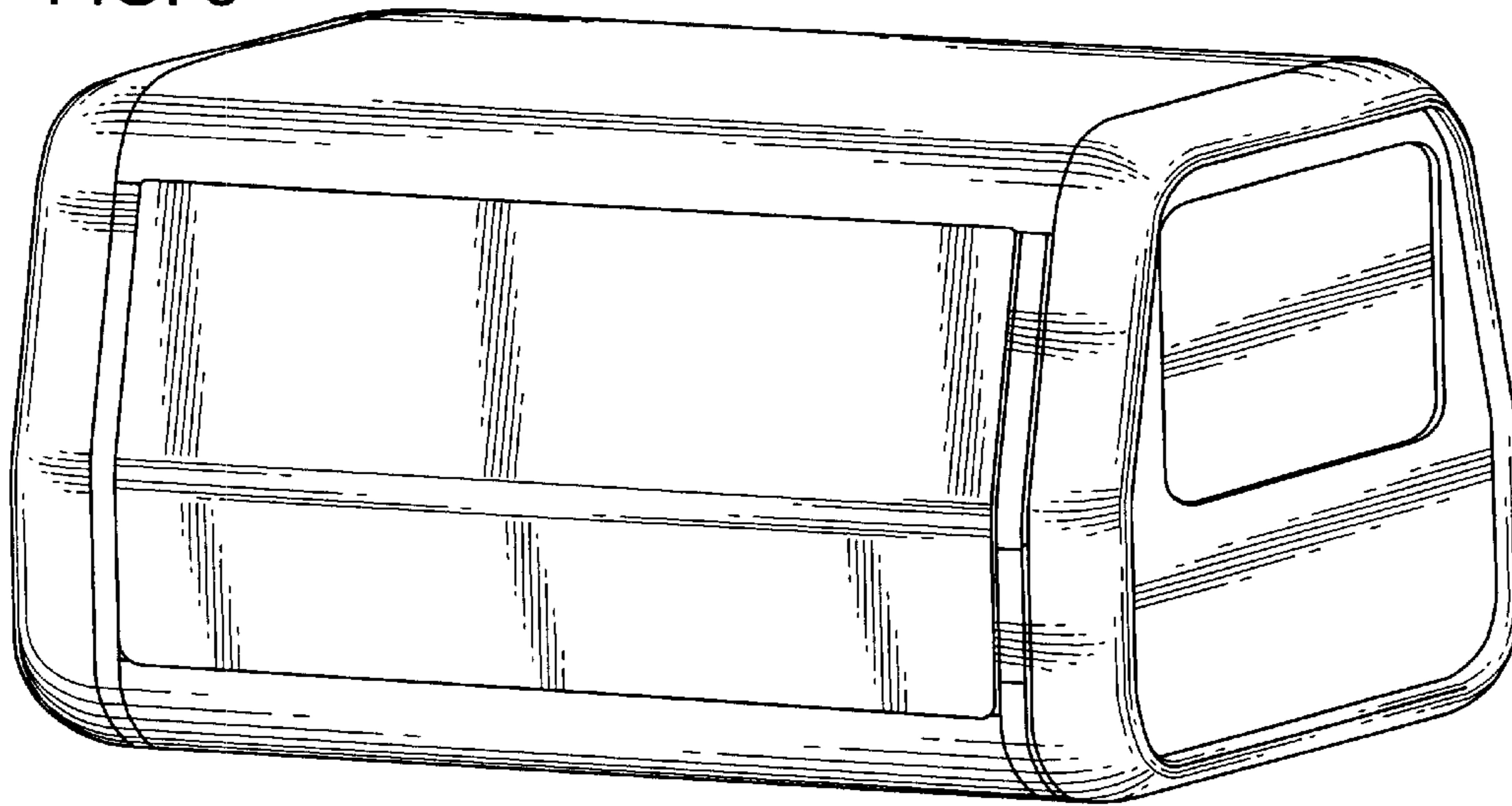


FIG. 9

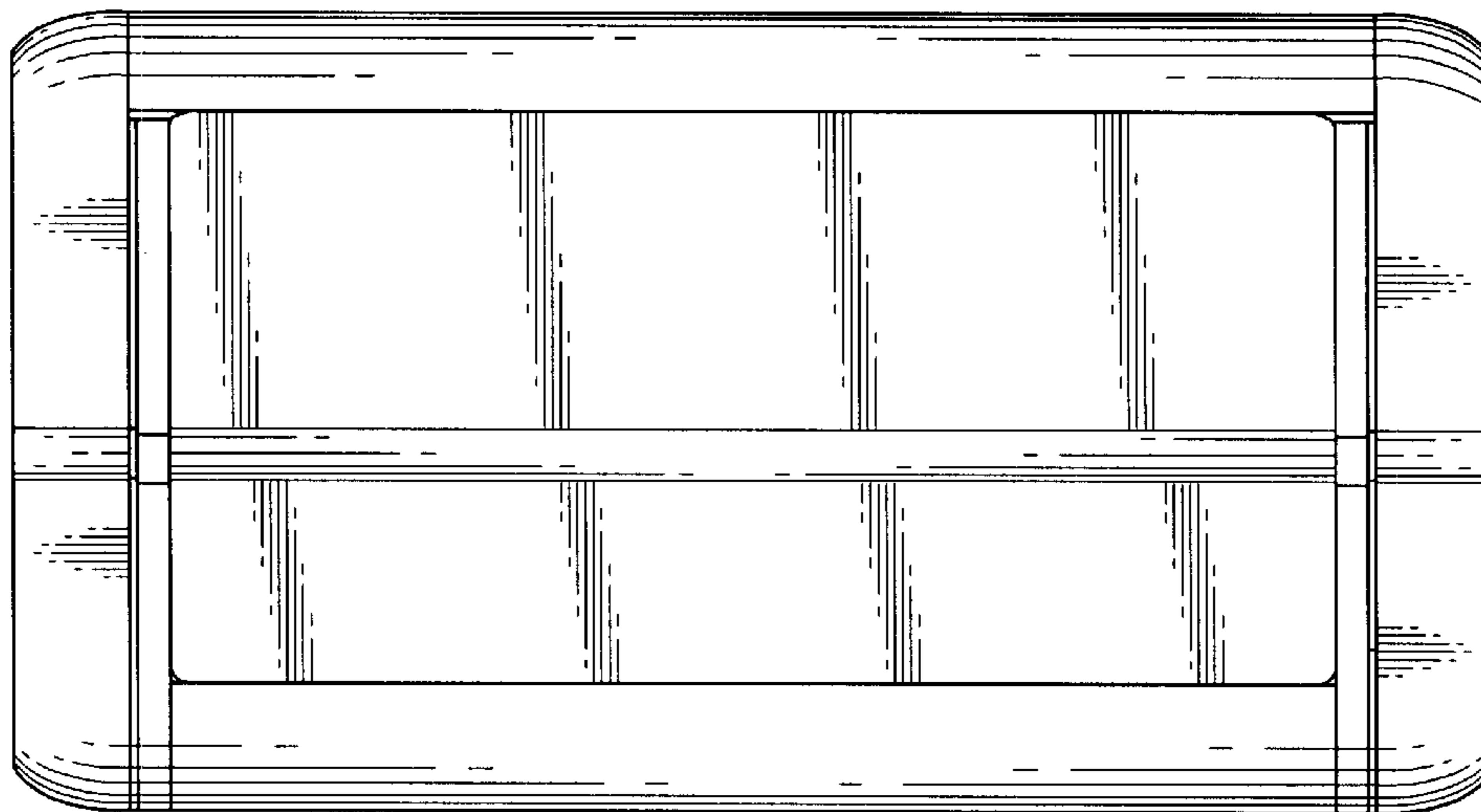


FIG. 10

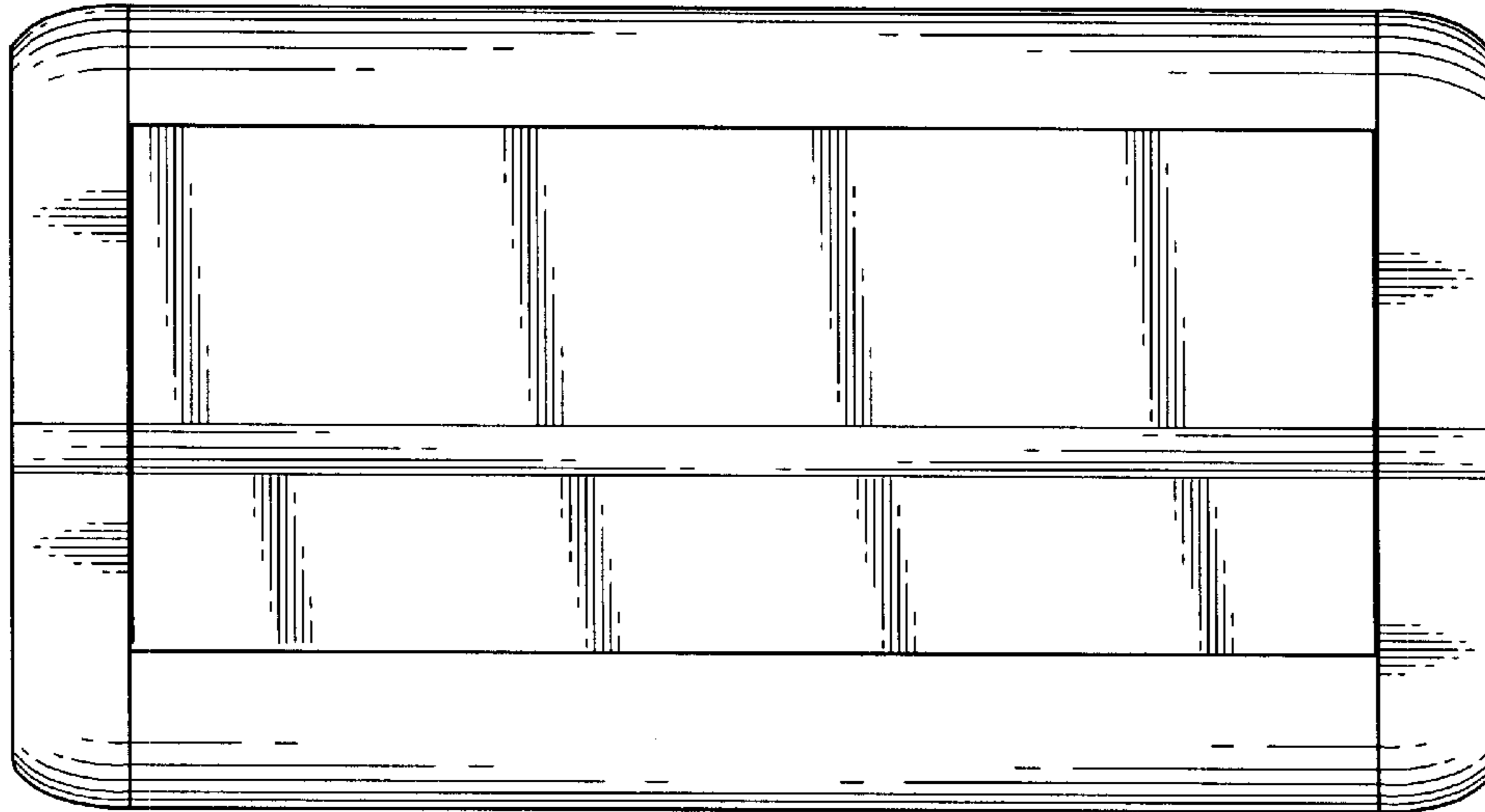


FIG. 11

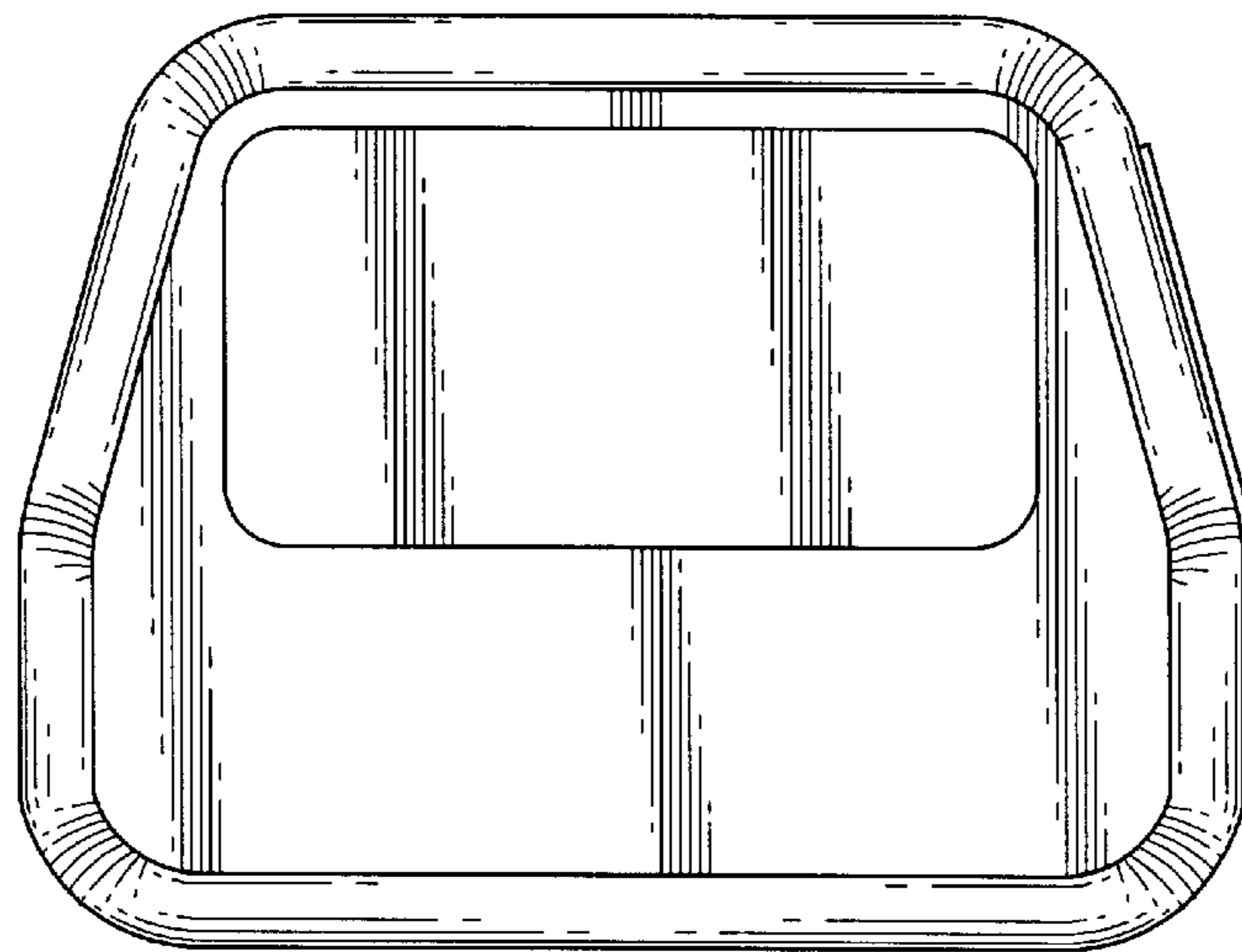


FIG. 12

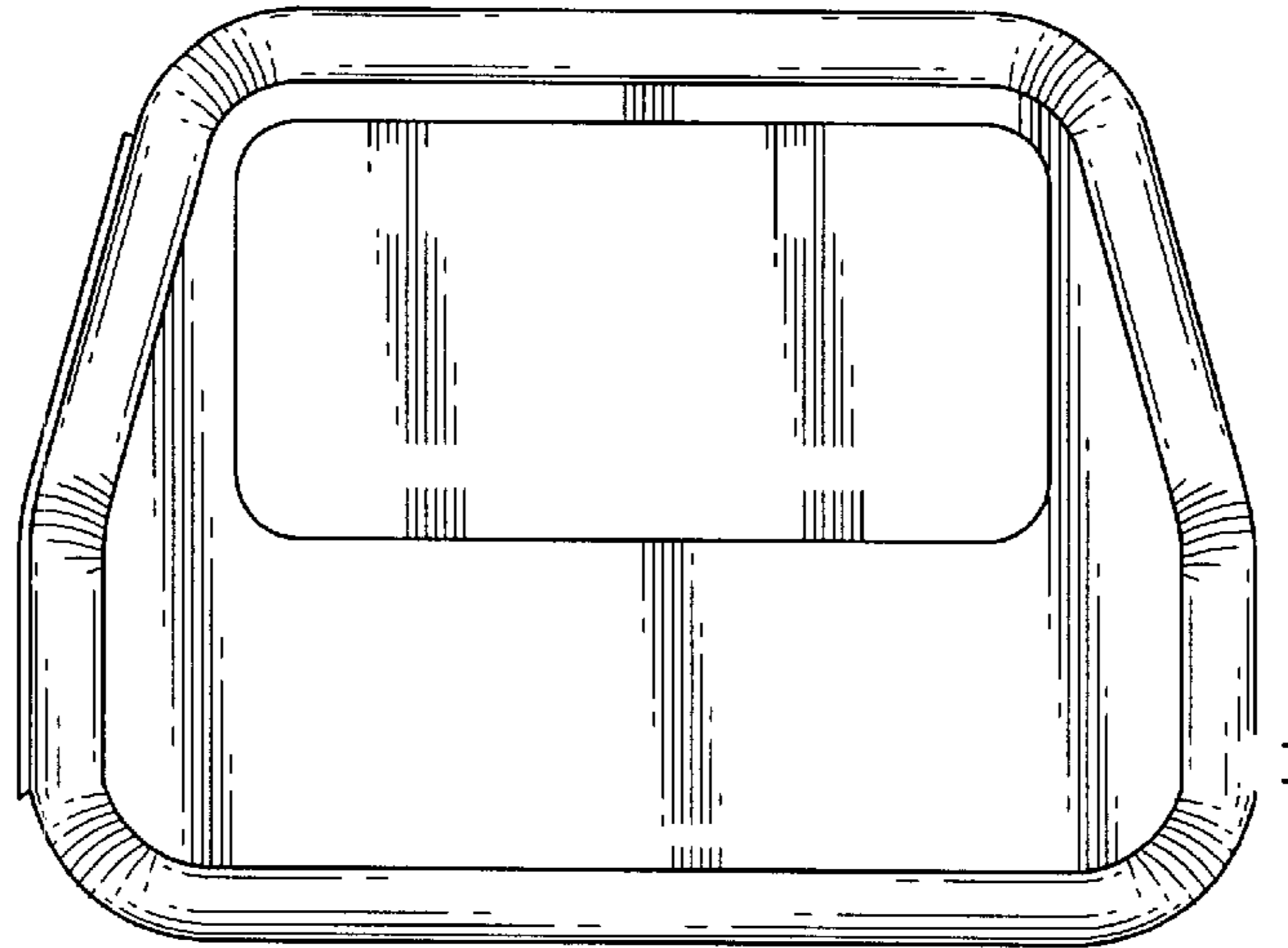


FIG. 13

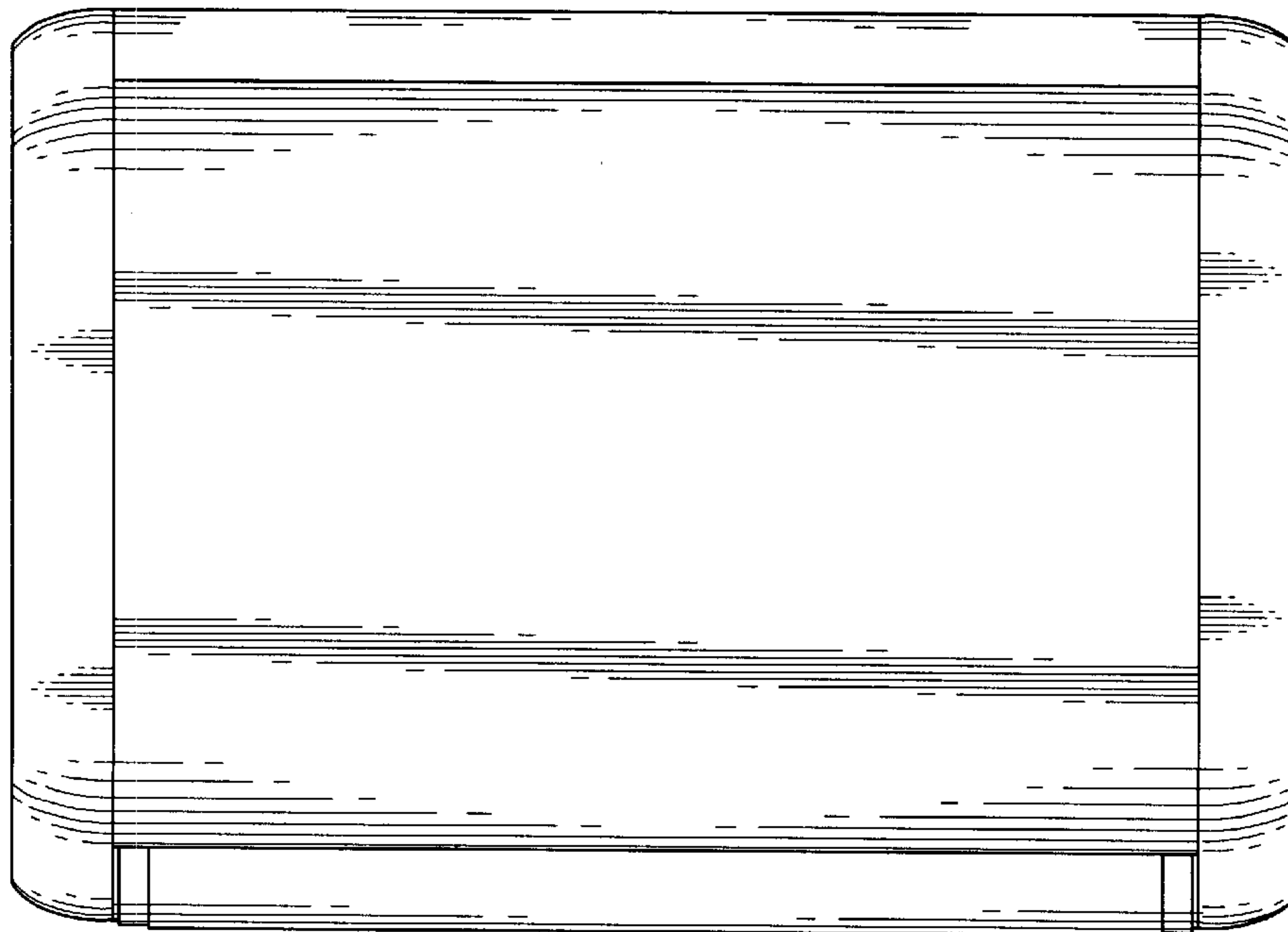


FIG. 14

