



US00D534028S

(12) **United States Design Patent**
Artis

(10) **Patent No.:** **US D534,028 S**
(45) **Date of Patent:** **** Dec. 26, 2006**

(54) **AUTOMATIC BABY FORMULA MAKER**

(76) Inventor: **Alisa E. Artis**, 396 95 Ramshorn Dr.,
Murrieta, CA (US) 92563

(**) Term: **14 Years**

(21) Appl. No.: **29/212,896**

(22) Filed: **Sep. 10, 2004**

(51) **LOC (8) Cl.** **07-02**

(52) **U.S. Cl.** **D7/326**

(58) **Field of Classification Search** D7/312,
D7/321, 323, 326, 376-381, 384, 300, 304,
D7/305, 309, 510, 511, 538-542, 601, 605,
D7/629, 630; D9/500, 503, 516, 519, 523,
D9/549; D3/264; 99/287, 323.3, 348, 483,
99/510, 536; 141/9, 11, 69, 70, 82, 85, 100,
141/103, 104; 215/387; 241/38, 39, 46.17,
241/60, 62; 366/146, 205, 242, 251, 314;
392/441, 442, 444-451

See application file for complete search history.

(56) **References Cited**

U.S. PATENT DOCUMENTS

4,658,872 A	4/1987	Ellis	141/311 R
4,694,740 A	9/1987	Daloz		
D304,989 S	* 12/1989	Fossella	D7/308
4,960,228 A	10/1990	Takahashi et al.	222/129.1
D321,107 S	* 10/1991	Laws	D7/308
5,213,776 A	* 5/1993	Maniero et al.	422/303
5,315,084 A	* 5/1994	Jensen	219/689
5,540,263 A	7/1996	Hustvedt et al.	141/104
5,570,816 A	11/1996	LaBabera, Jr.		

5,797,313 A	*	8/1998	Rothley	99/483
5,836,236 A	*	11/1998	Rolfes et al.	99/290
5,970,847 A	*	10/1999	Saltzman	99/287
6,170,386 B1	*	1/2001	Paul	99/281
6,173,117 B1	*	1/2001	Clubb	392/442
6,253,028 B1	*	6/2001	Roberson	392/442
6,412,527 B1	*	7/2002	Brice	141/103
6,711,990 B1	*	3/2004	Harrison	99/348
6,829,431 B1	*	12/2004	Haven et al.	392/441
2005/0230343 A1		10/2005	Huber	215/387
2005/0238341 A1		10/2005	Thaler et al.	392/441

* cited by examiner

Primary Examiner—Caron D. Veynar

Assistant Examiner—Ricky Pham

(57) **CLAIM**

The ornamental design for an automatic baby formula maker, as shown and described.

DESCRIPTION

FIG. 1 is a front elevation view of an automatic baby formula maker showing my new design.

FIG. 2 is a rear elevation view thereof;

FIG. 3 is a left side elevation view thereof;

FIG. 4 is a right side elevation view thereof;

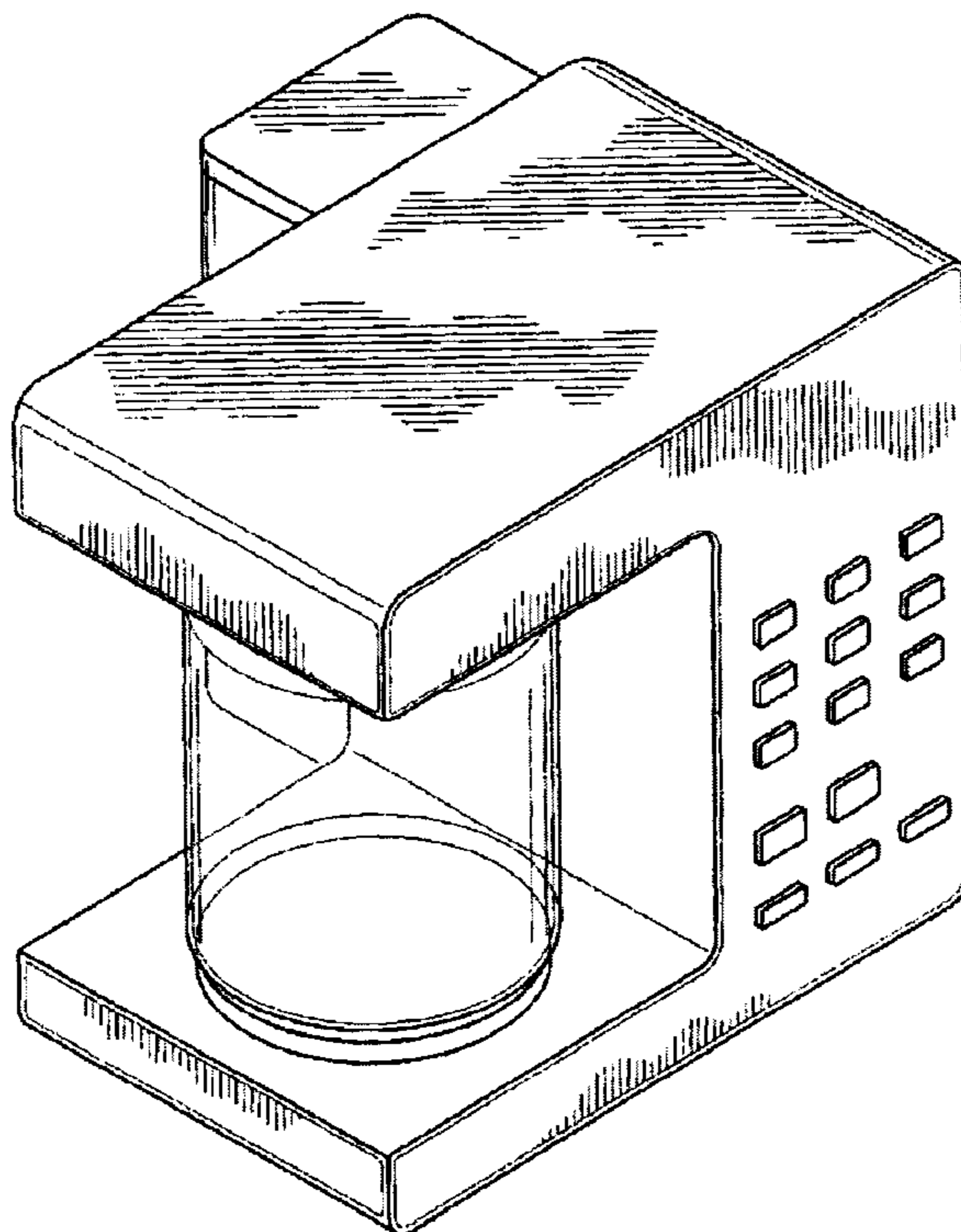
FIG. 5 is a top plan view thereof;

FIG. 6 is a bottom plan view thereof; and,

FIG. 7 is perspective view of my invention.

The broken lines showing the baby bottles in FIGS. 1-3 is for illustrative purposes only and form no part of the claimed design.

1 Claim, 7 Drawing Sheets



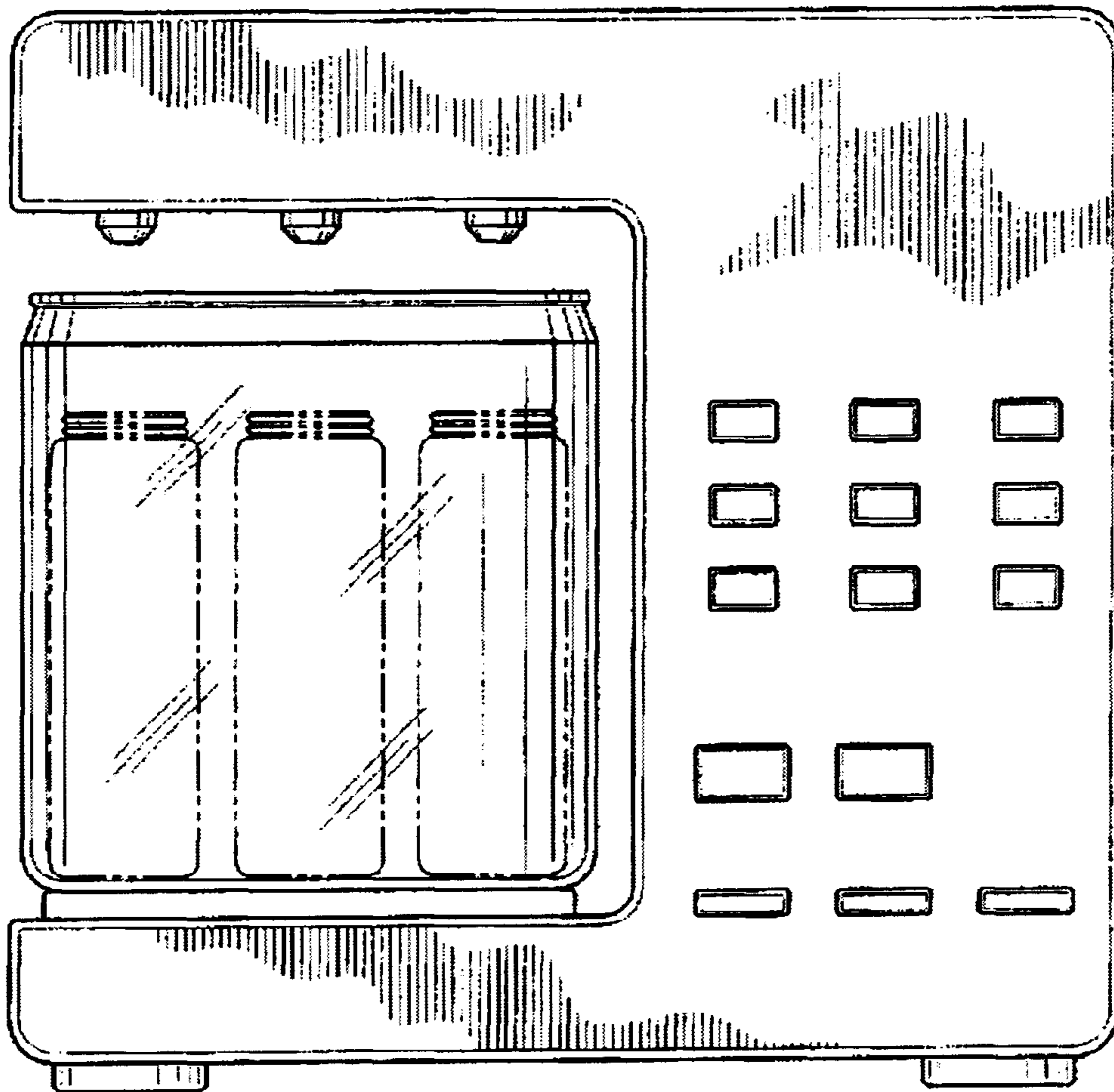


FIG.1

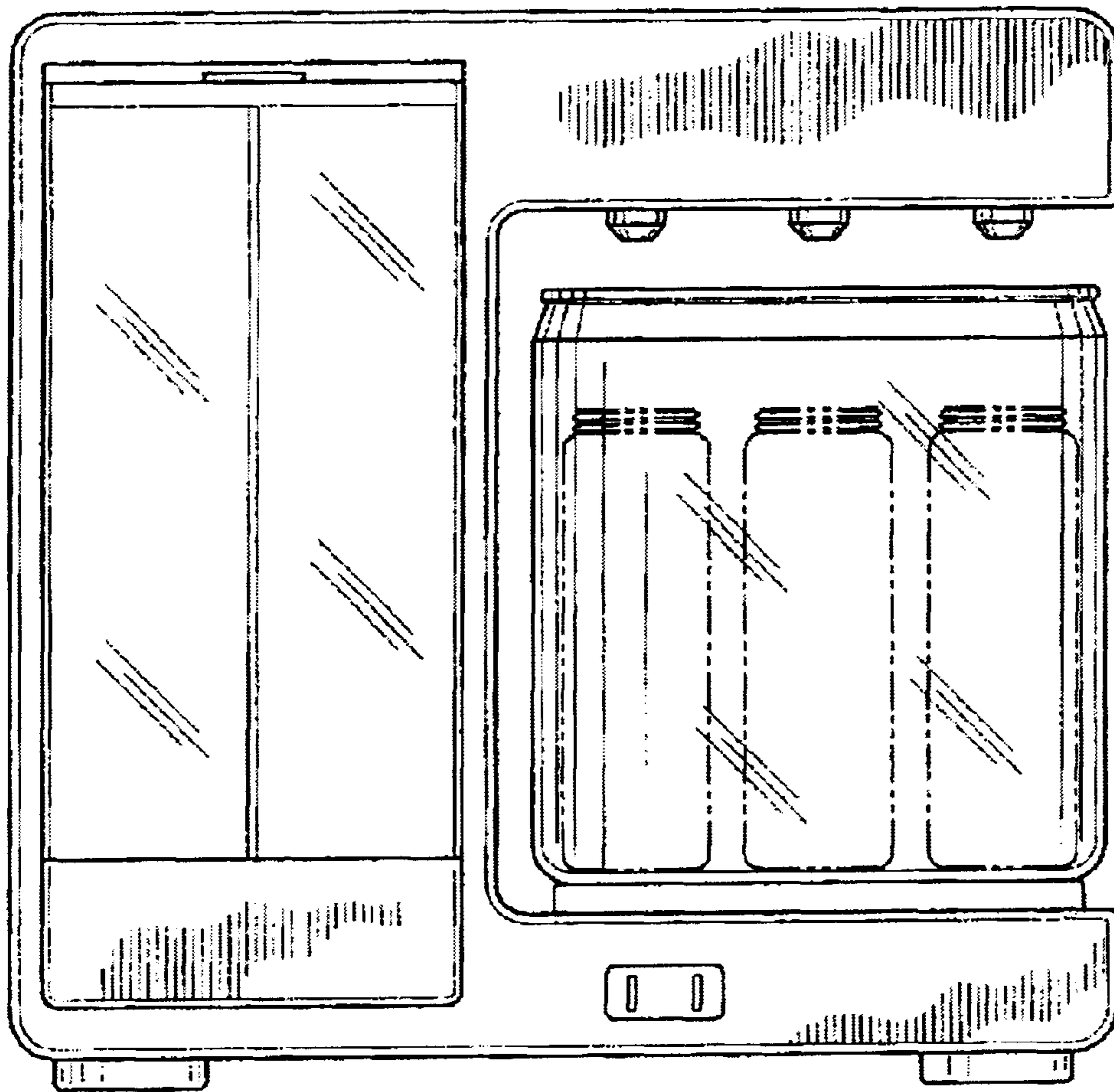


FIG.2

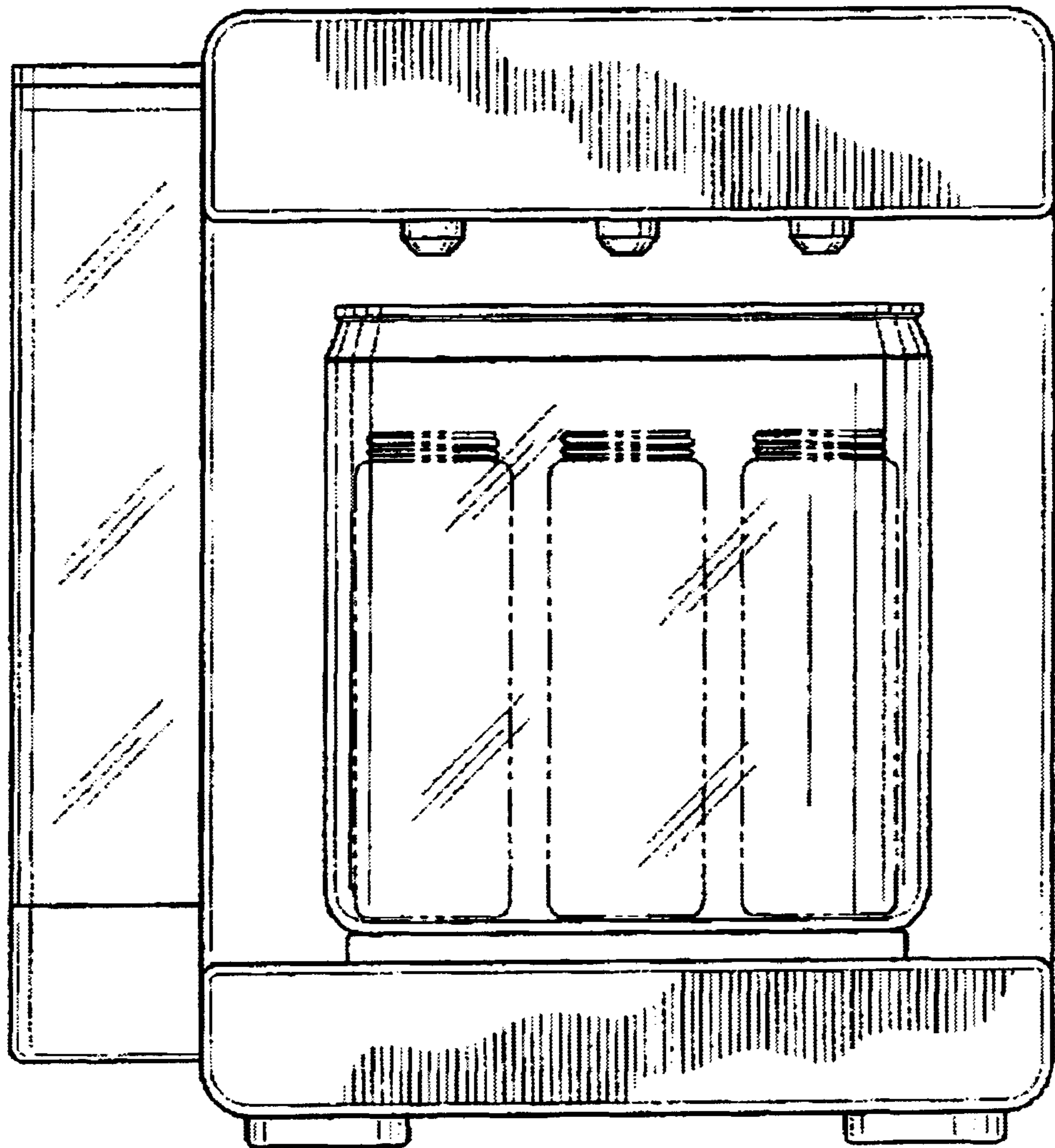


FIG.3

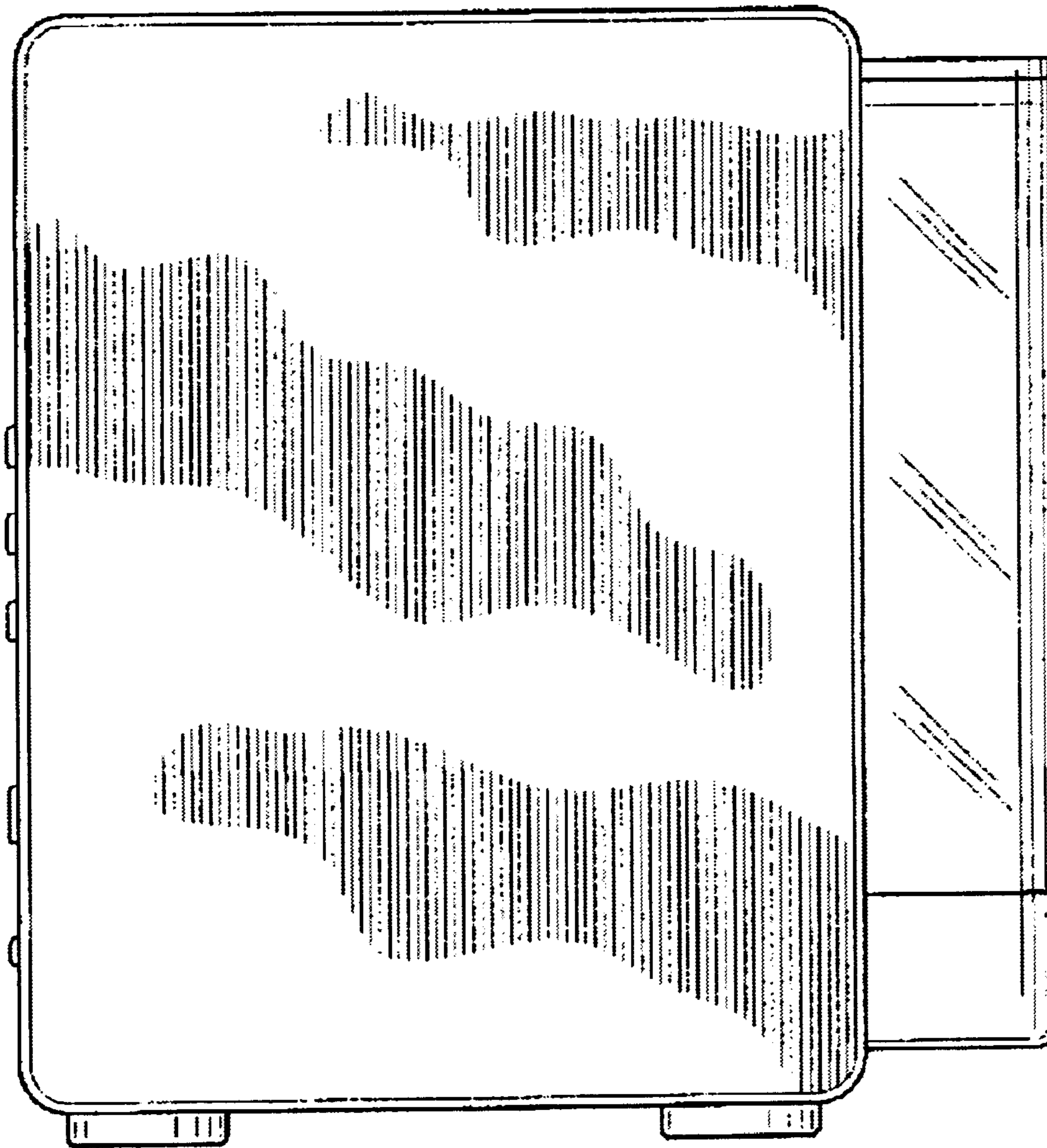


FIG.4

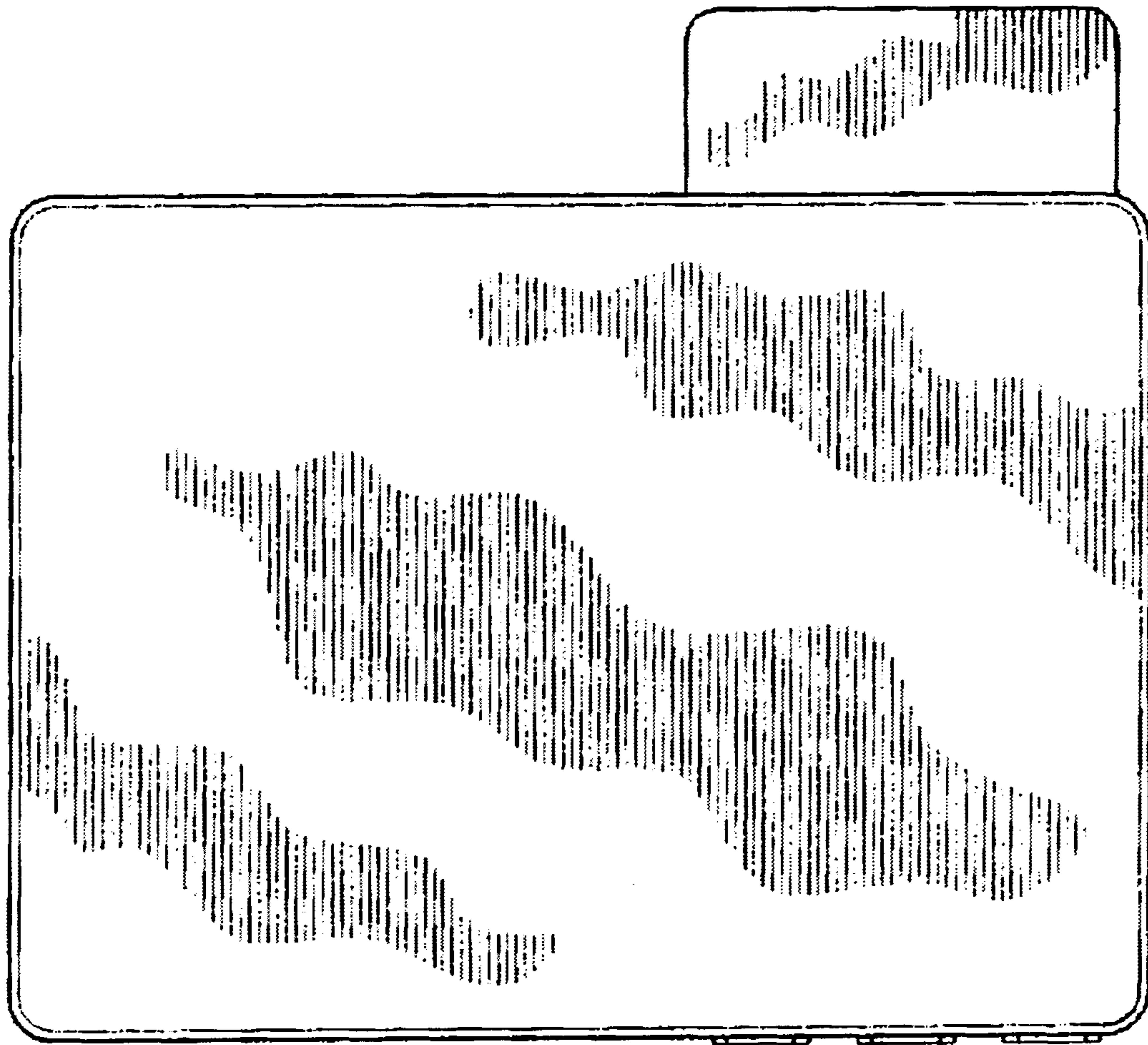


FIG.5

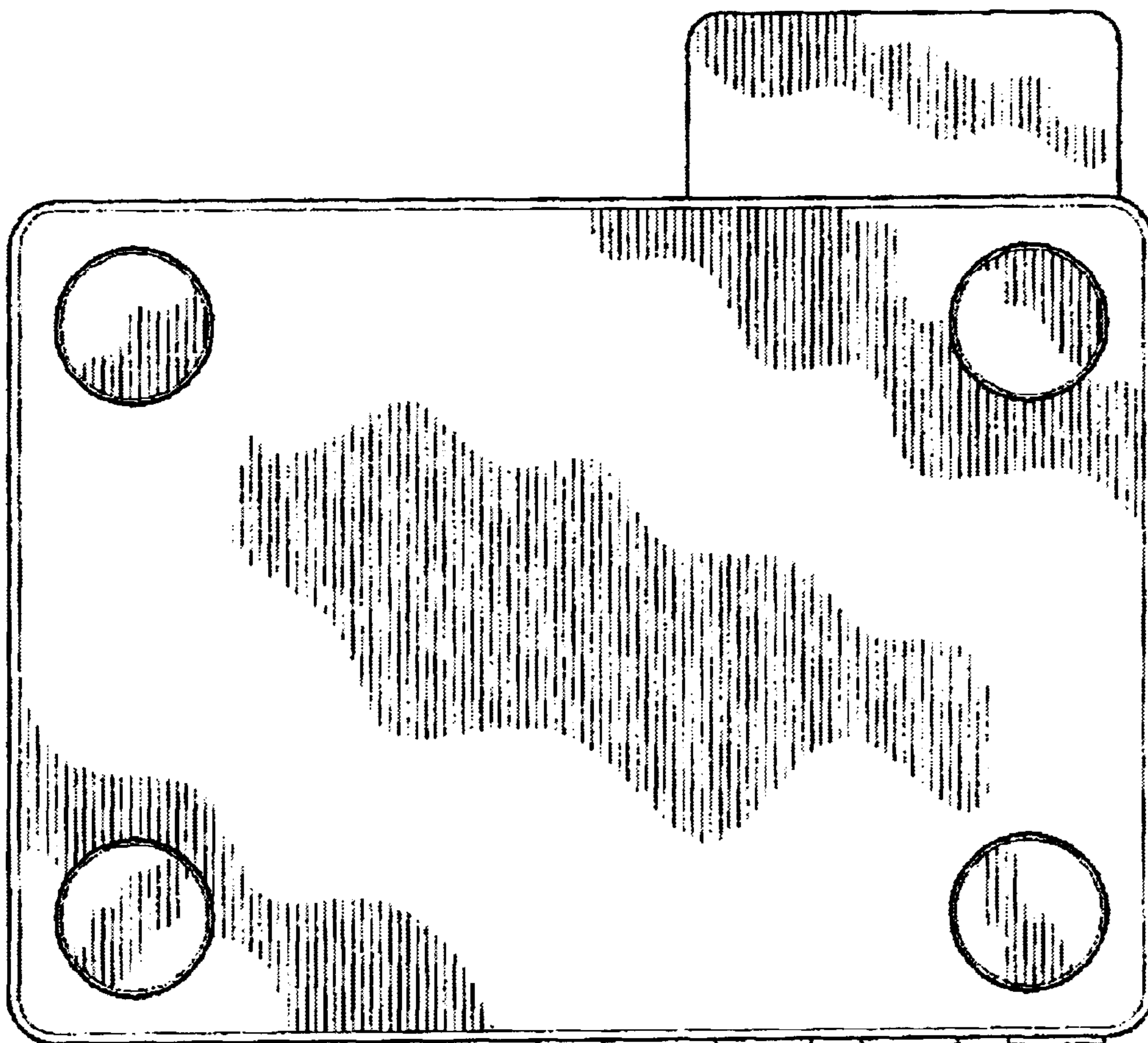


FIG.6

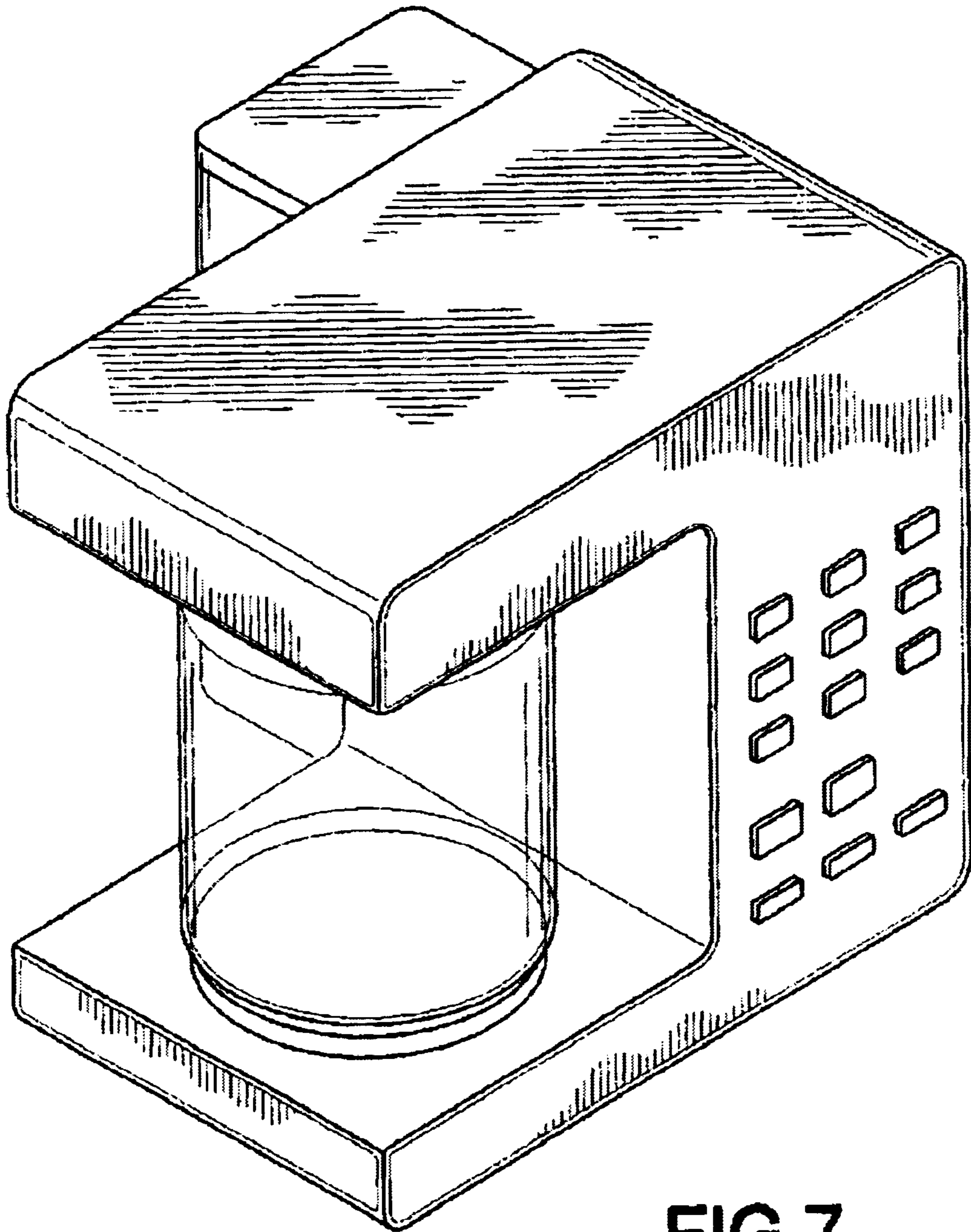


FIG.7