



US00D534025S

(12) **United States Design Patent**  
**Ferguson**

(10) **Patent No.:** **US D534,025 S**

(45) **Date of Patent:** **\*\* Dec. 26, 2006**

(54) **DOUBLE END PILLOWCASE**

(75) **Inventor:** **Marlene M Ferguson**, 176 NW. Curry St., Pt, St Lucie, FL (US) 34983

(73) **Assignee:** **Marlene M Ferguson**, Hope Sound, FL (US)

(\*\*) **Term:** **14 Years**

(21) **Appl. No.:** **29/199,878**

(22) **Filed:** **Feb. 23, 2004**

(51) **LOC (8) Cl.** ..... **06-09**

(52) **U.S. Cl.** ..... **D6/601**

(58) **Field of Classification Search** ..... D6/595,  
D6/596, 601, 602; 5/489-492, 431, 434,  
5/482, 484, 485, 639; 62/259.3

See application file for complete search history.

(56) **References Cited**

**U.S. PATENT DOCUMENTS**

1,775,061	A	*	9/1930	Bertha	.....	5/490
2,357,789	A	*	9/1944	Levy	.....	5/490
2,412,769	A	*	12/1946	Easterbrooks	.....	5/485
2,759,200	A	*	8/1956	Johnston	.....	5/490
3,974,531	A	*	8/1976	Van Pelt	.....	5/490
4,247,961	A	*	2/1981	Masch et al.	.....	5/639
5,572,753	A	*	11/1996	Ruscitto	.....	5/490
5,727,266	A	*	3/1998	Pang	.....	5/490
5,864,903	A	*	2/1999	Newman	.....	5/639
5,991,945	A	*	11/1999	Pang	.....	5/490
D430,768	S	*	9/2000	Hindes	.....	D6/601

D446,985	S	*	8/2001	Torres	.....	D6/601
6,681,590	B1	*	1/2004	Jones	.....	62/259.3
6,687,931	B1	*	2/2004	Benavides	.....	5/490
2005/0177941	A1	*	8/2005	Miller	.....	5/490

\* cited by examiner

*Primary Examiner*—Robert M. Spear  
*Assistant Examiner*—Mary Ann Calabresae

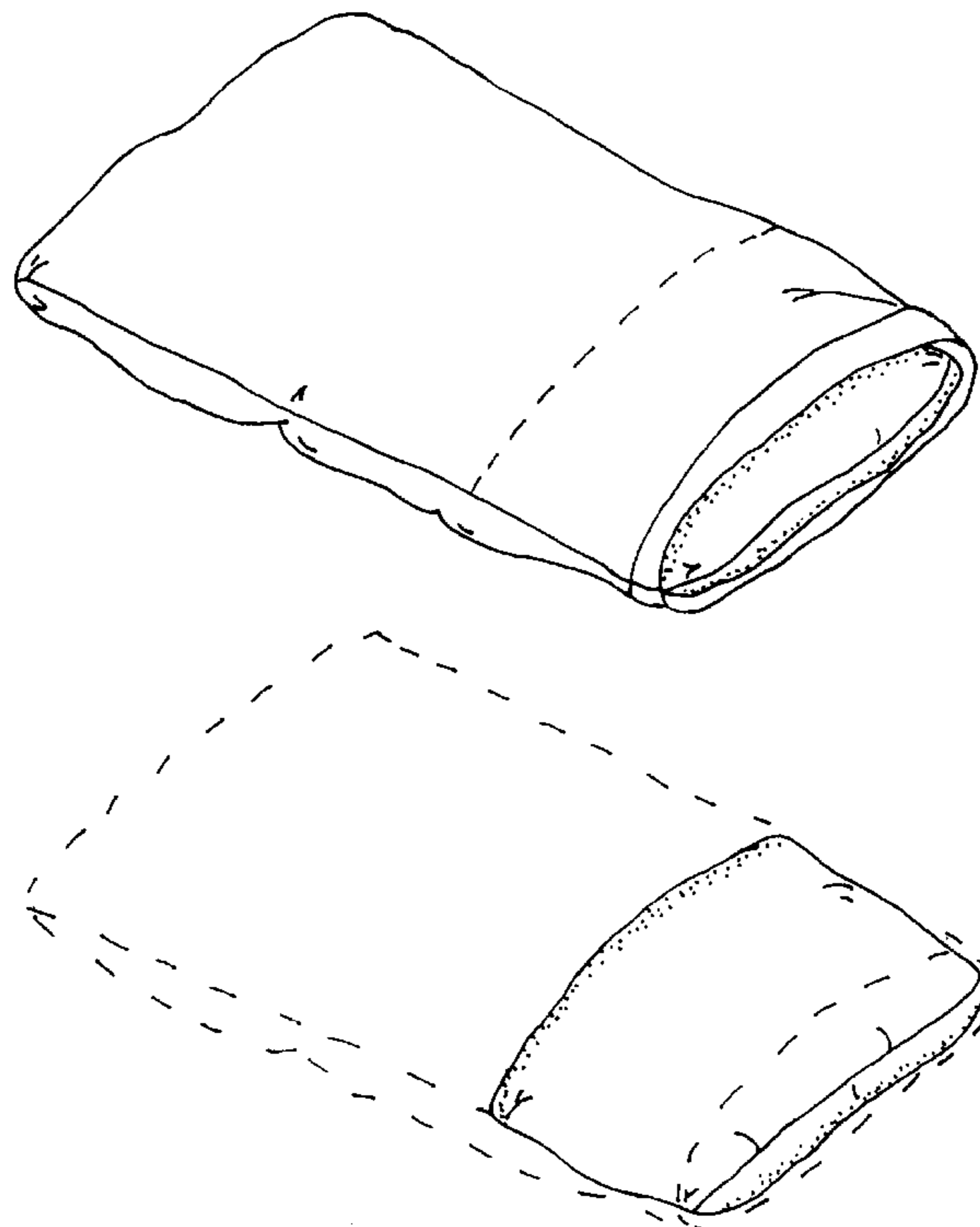
(57) **CLAIM**

The ornamental design for a double end pillowcase, as shown and described.

**DESCRIPTION**

FIG. 1 is a top/rear perspective view of a double end pillowcase showing my new design;  
 FIG. 2 is a top/front perspective view thereof;  
 FIG. 3 is an enlarged fragmentary top/front perspective view of FIG. 2, showing the open end, the bottom/rear view being identical thereto;  
 FIG. 4 is a fragmentary top/rear view of the inner flap shown with the outer pillowcase removed for ease of disclosure. The position of the claimed outer pillowcase is shown in broken lines for clarity; and,  
 FIG. 5 is a fragmentary top/front view of the inner flap shown with the outer pillowcase removed for ease of disclosure. The position of the claimed outer pillowcase is shown in broken lines for clarity.  
 In the drawings, the broken lines represent stitching forming part of the claimed design.

**1 Claim, 3 Drawing Sheets**



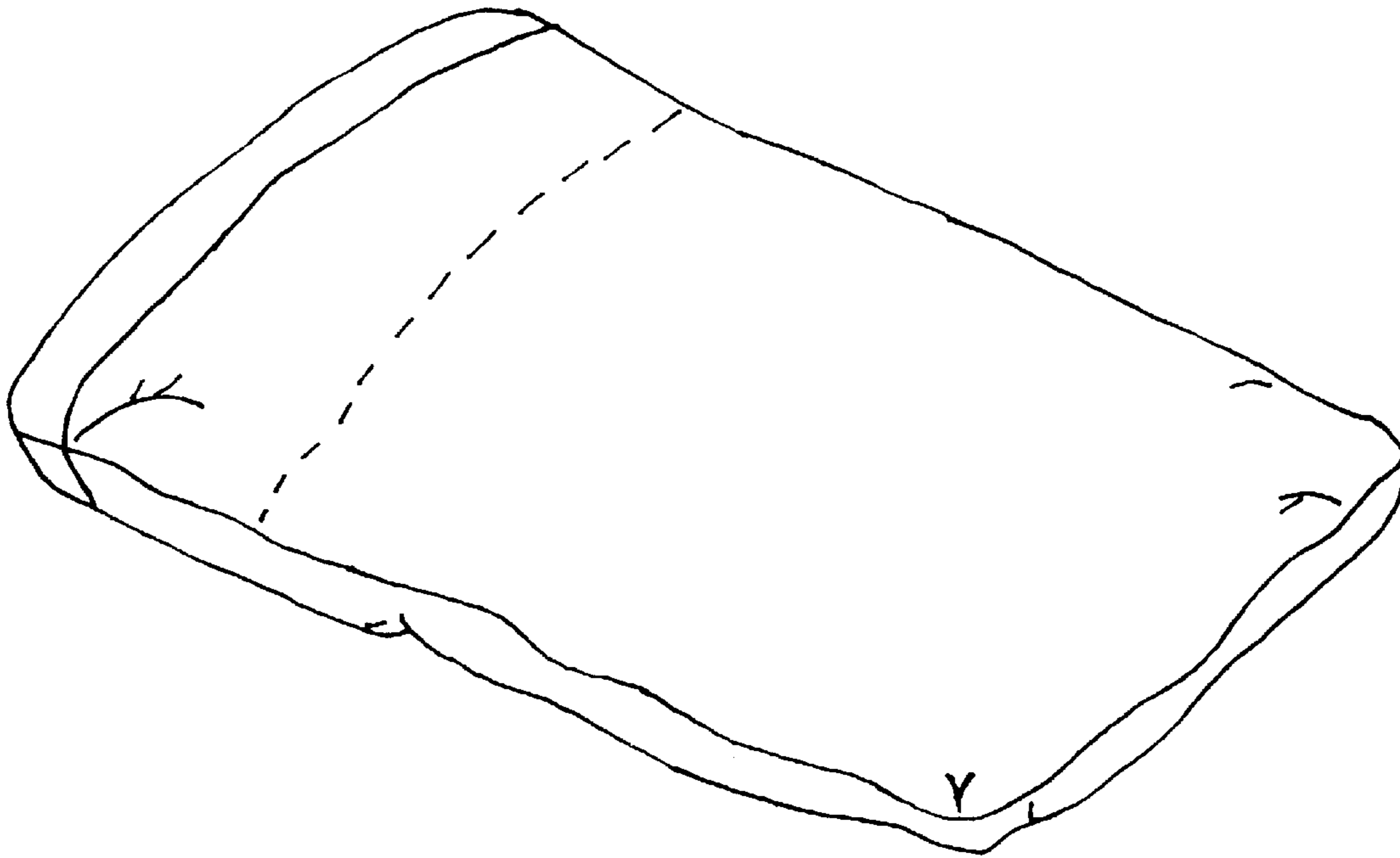


FIG. 1

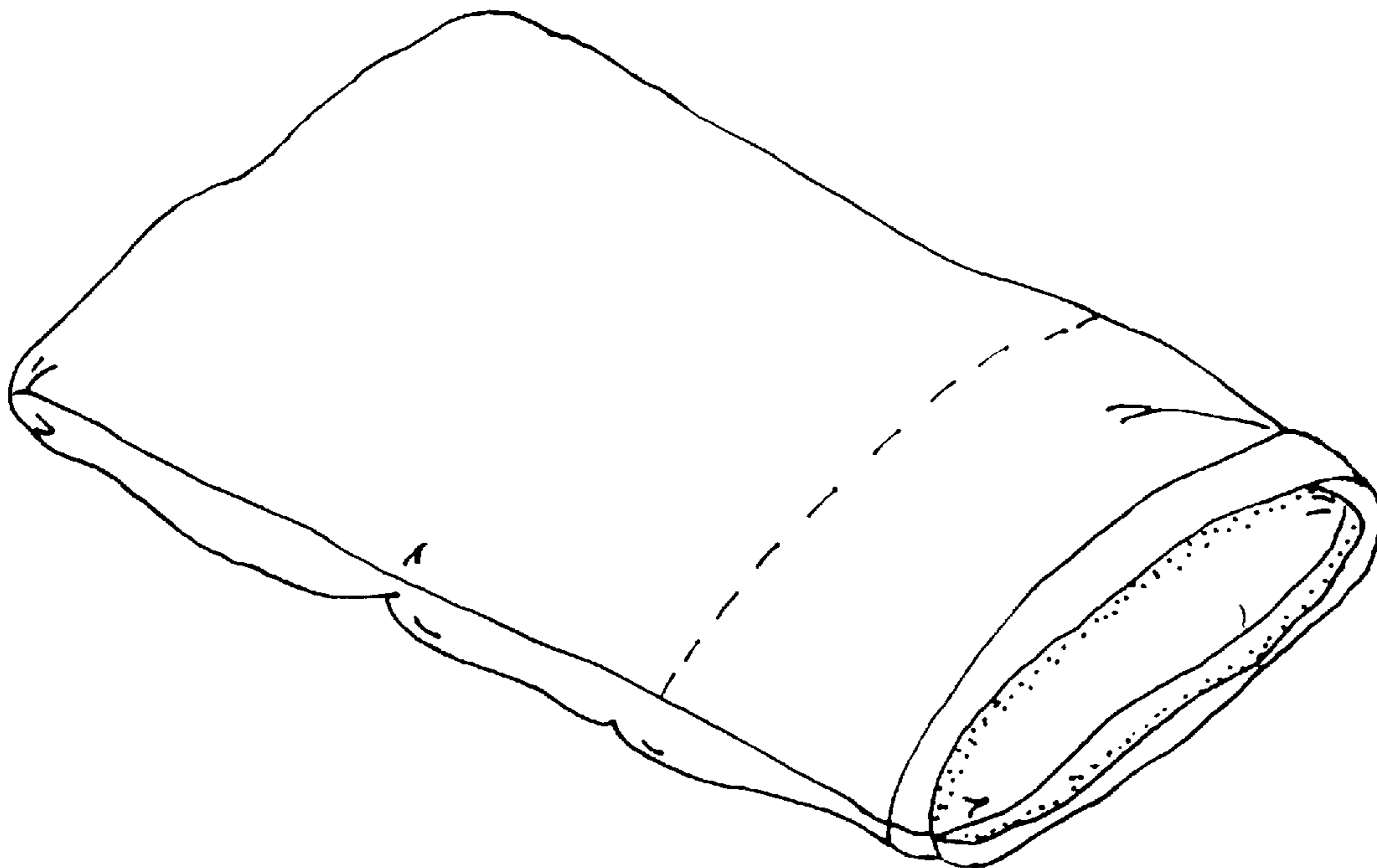


FIG. 2

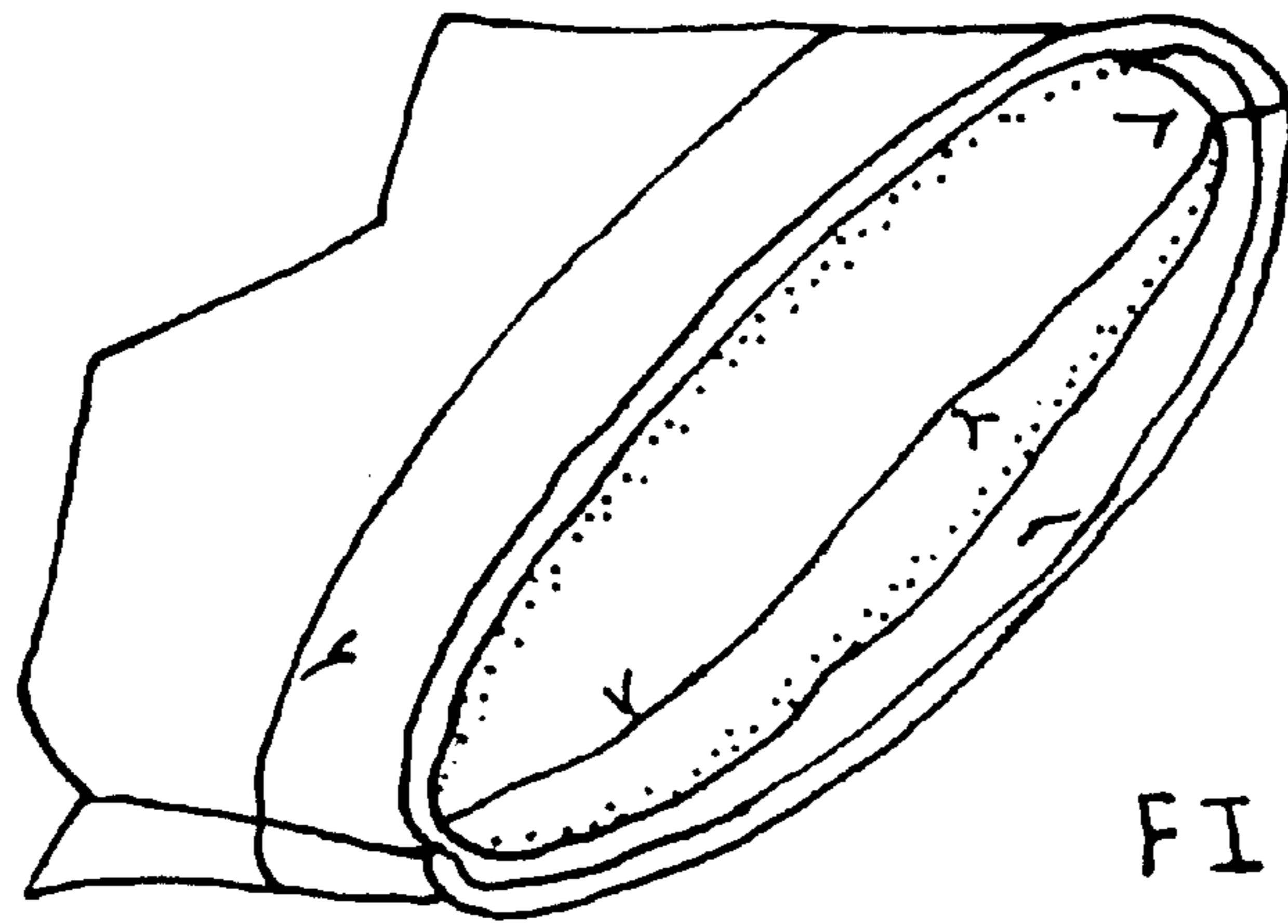


FIG. 3

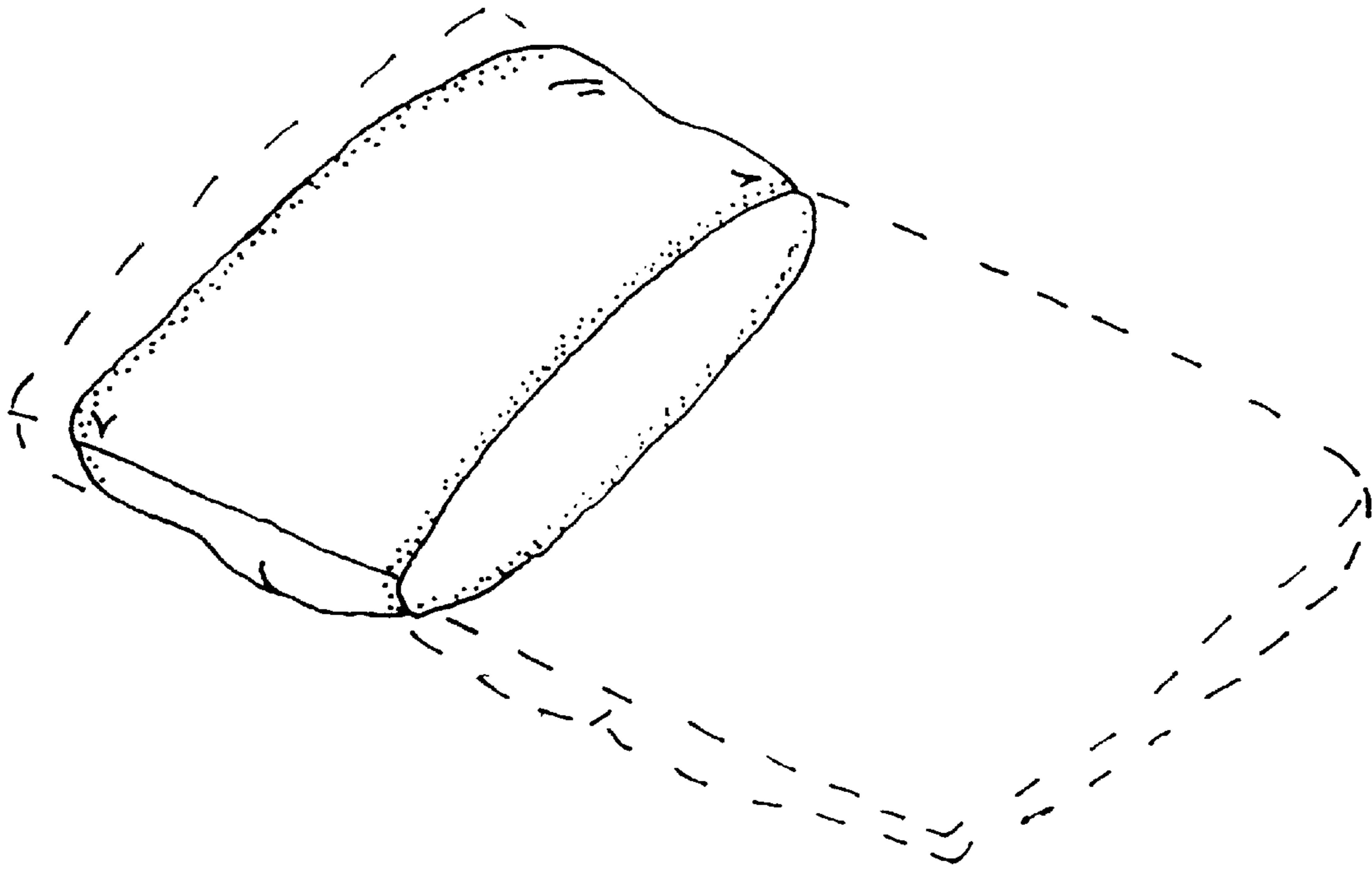


FIG. 4

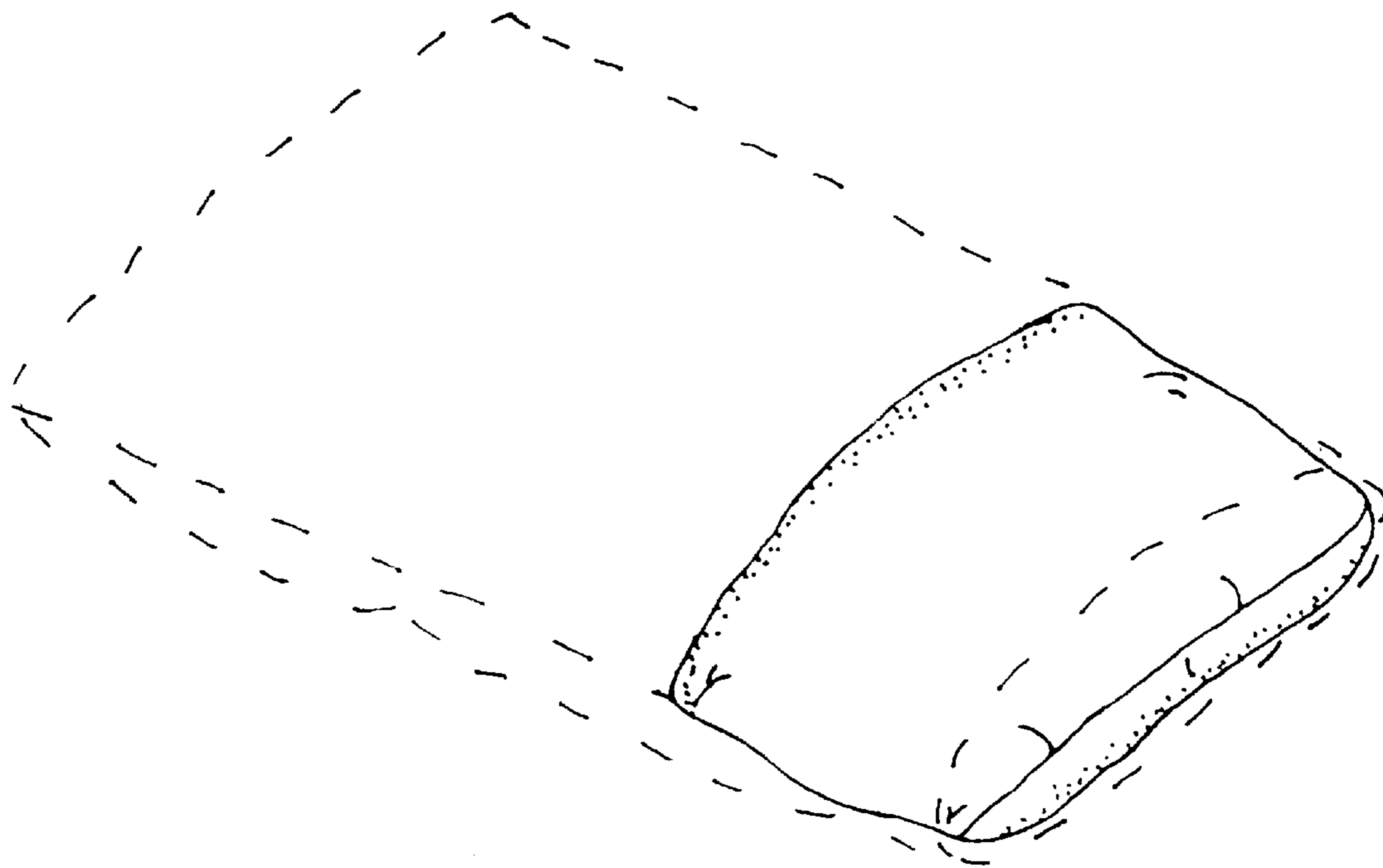


FIG. 5