



US00D534020S

(12) **United States Design Patent**  
**Smith**

(10) **Patent No.:** **US D534,020 S**

(45) **Date of Patent:** **\*\* Dec. 26, 2006**

(54) **SEAT AND BACK REST FOR A CHAIR**

(75) Inventor: **Ray G. Smith**, Los Angeles, CA (US)

(73) Assignee: **True Seating Concepts, LLC** (MU)

(\*\*) Term: **14 Years**

(21) Appl. No.: **29/243,769**

(22) Filed: **Dec. 1, 2005**

(51) **LOC (8) Cl.** ..... **06-01**

(52) **U.S. Cl.** ..... **D6/500; D6/366**

(58) **Field of Classification Search** ..... D6/334-335,  
D6/356, 364, 365, 366, 367, 368, 374, 500-502;  
297/452.21, 452.26, 452.29, 452.32, 452.35,  
297/452.37, 452.48

See application file for complete search history.

(56) **References Cited**

**U.S. PATENT DOCUMENTS**

D414,965 S	*	10/1999	Zaidman	.....	D6/500
D494,788 S	*	8/2004	True	.....	D6/500
D508,351 S	*	8/2005	True	.....	D6/500
D510,215 S	*	10/2005	True	.....	D6/500
D511,260 S	*	11/2005	True	.....	D6/366
D518,319 S	*	4/2006	True	.....	D6/500

\* cited by examiner

*Primary Examiner*—Mimosa De

(74) *Attorney, Agent, or Firm*—Morland C. Fischer

(57) **CLAIM**

The ornamental design for a seat and back rest for a chair, as shown and described.

**DESCRIPTION**

FIG. 1 is a perspective view showing the top, left side and front of a seat and back rest for a chair which forms my new design, the broken lines of other parts of the chair in this and other figures being for illustrative purposes only and forming no part of my design;

FIG. 2 is a perspective view showing the top, left side and rear thereof;

FIG. 3 is a front elevational view;

FIG. 4 is a right side elevational view thereof;

FIG. 5 is a rear elevational view thereof;

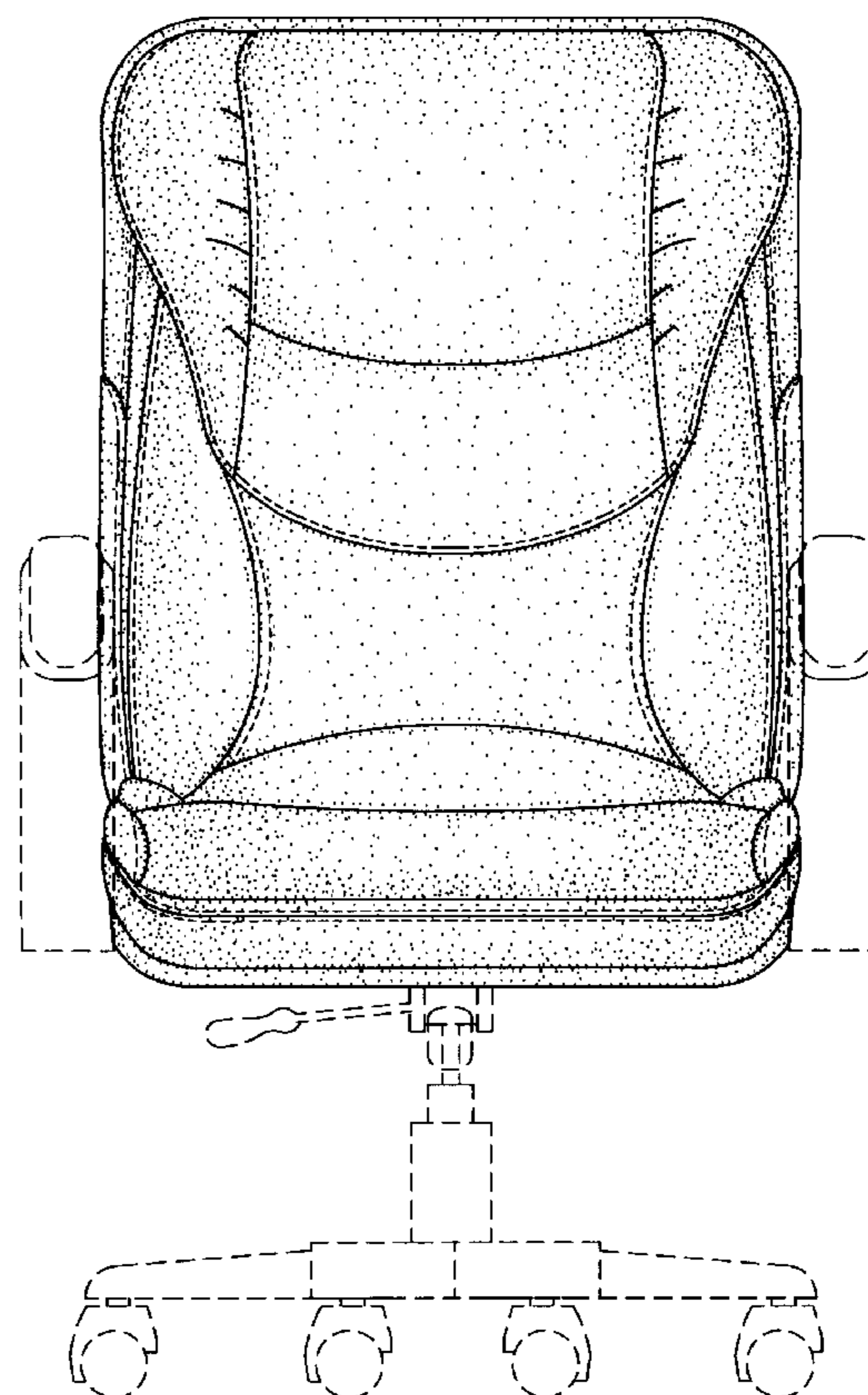
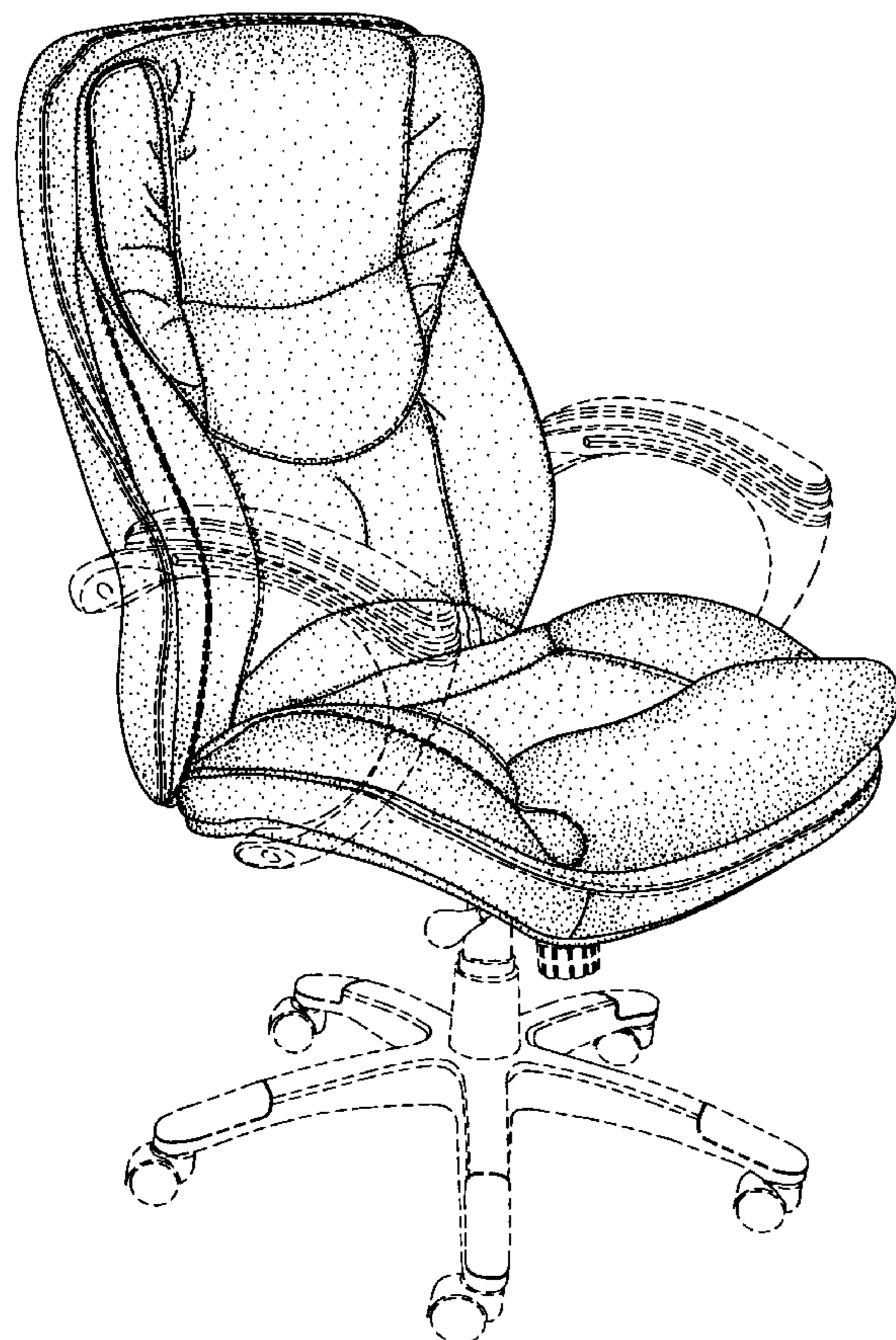
FIG. 6 is a left side elevational view thereof;

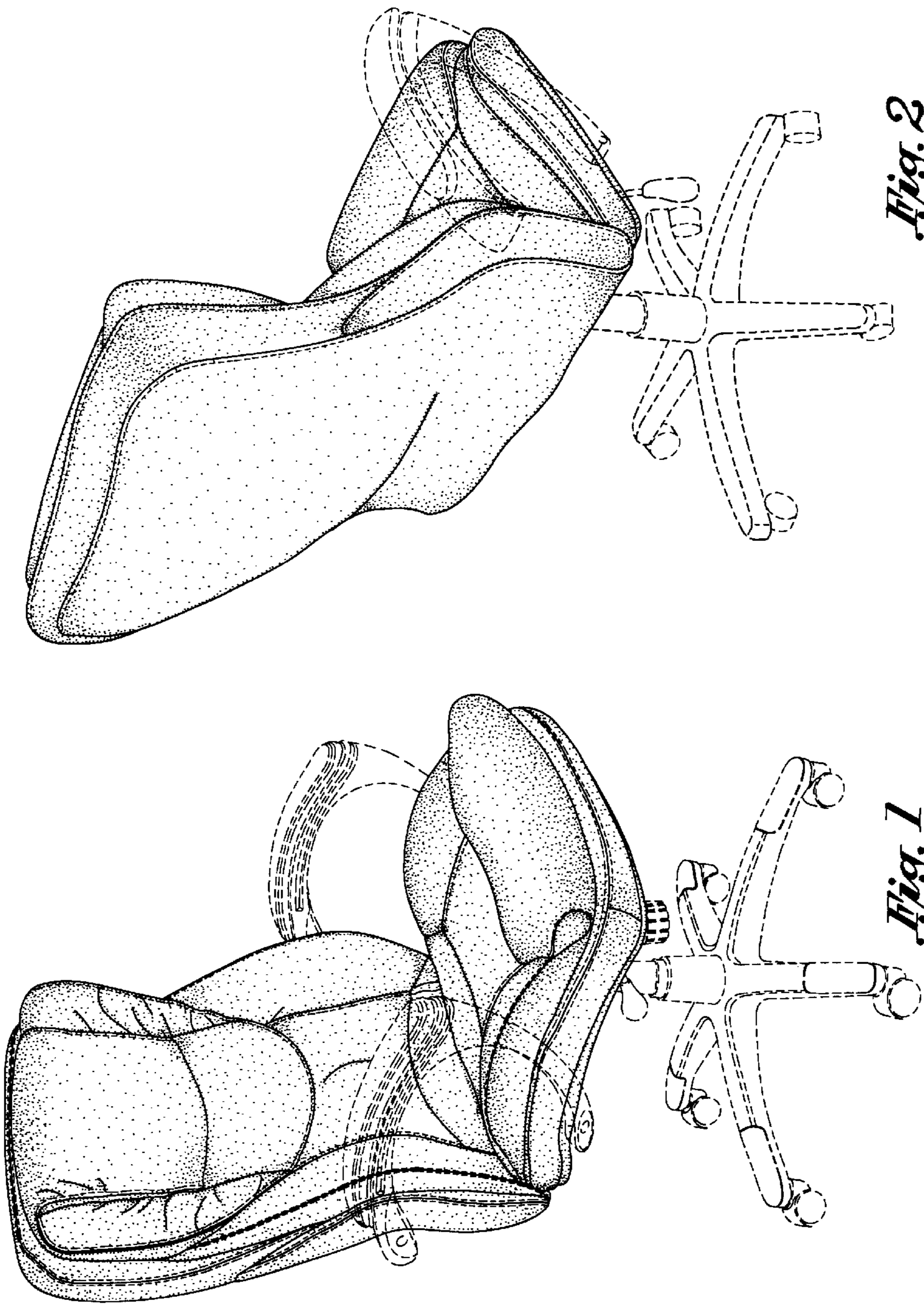
FIG. 7 is a top plan view thereof; and,

FIG. 8 is a bottom plan view thereof.

The short broken lines on the chair in FIGS. 1-8 are understood to represent stitching.

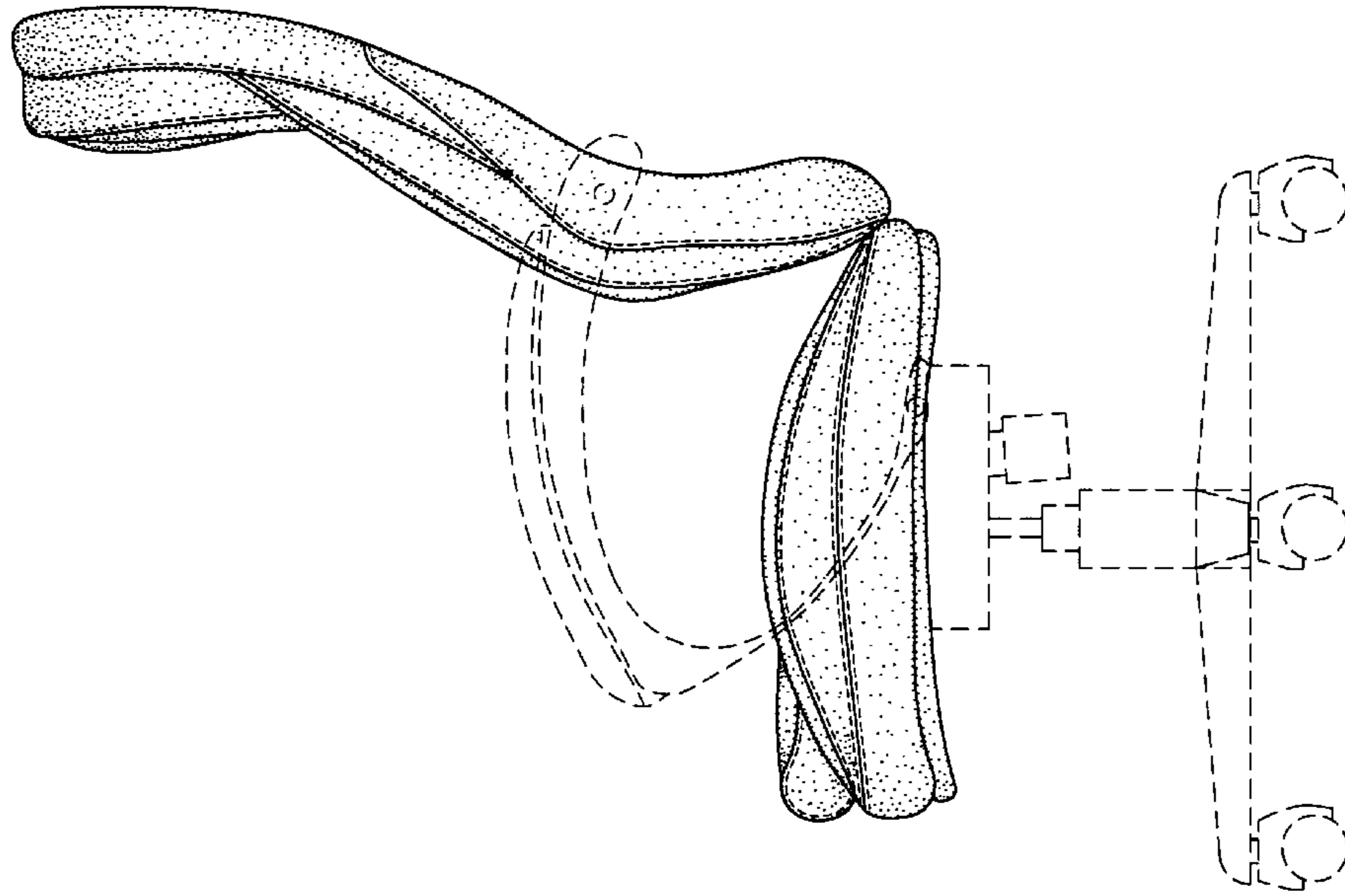
**1 Claim, 4 Drawing Sheets**



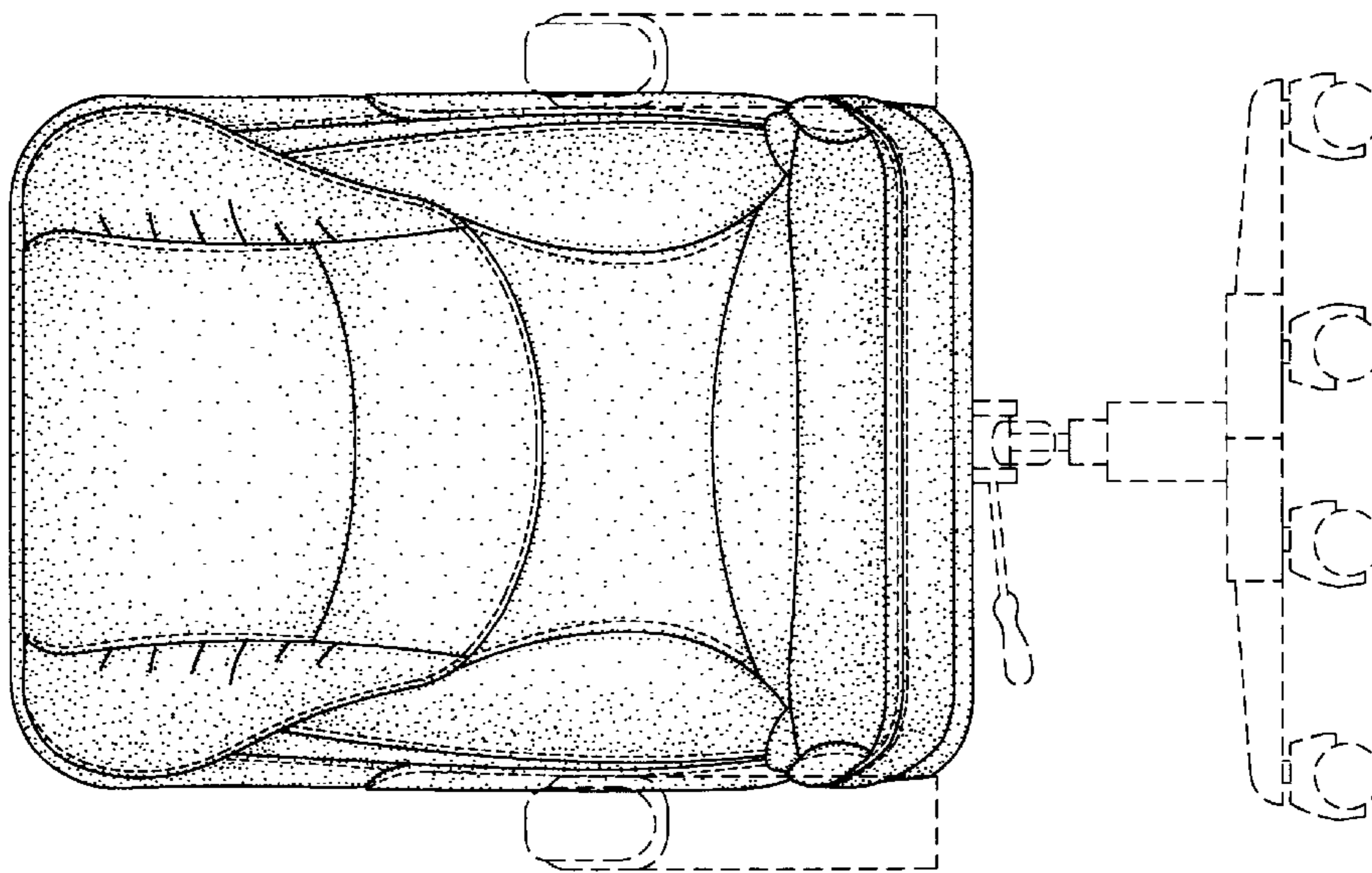


*Fig. 2*

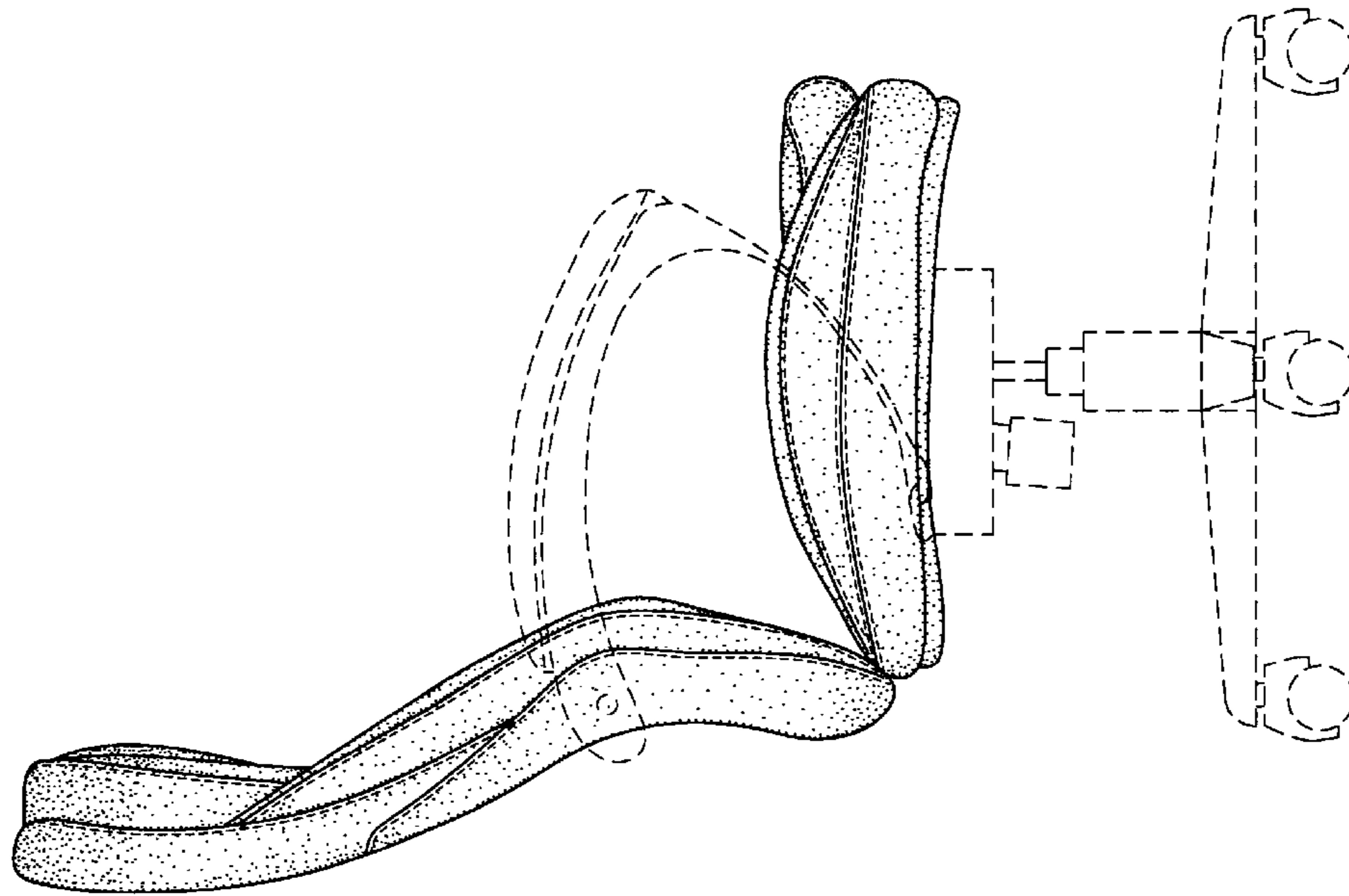
*Fig. 1*



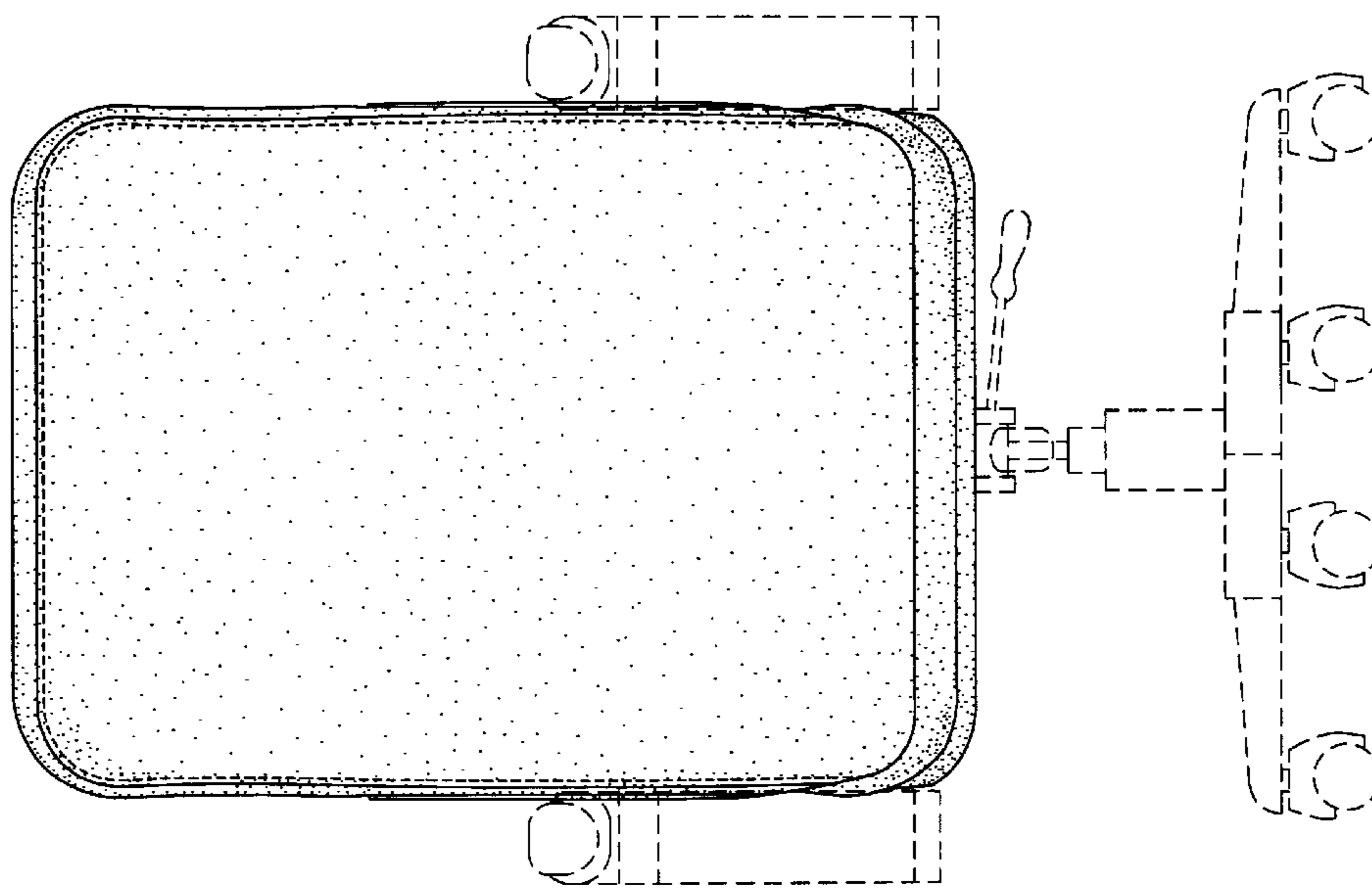
*Fig. 4*



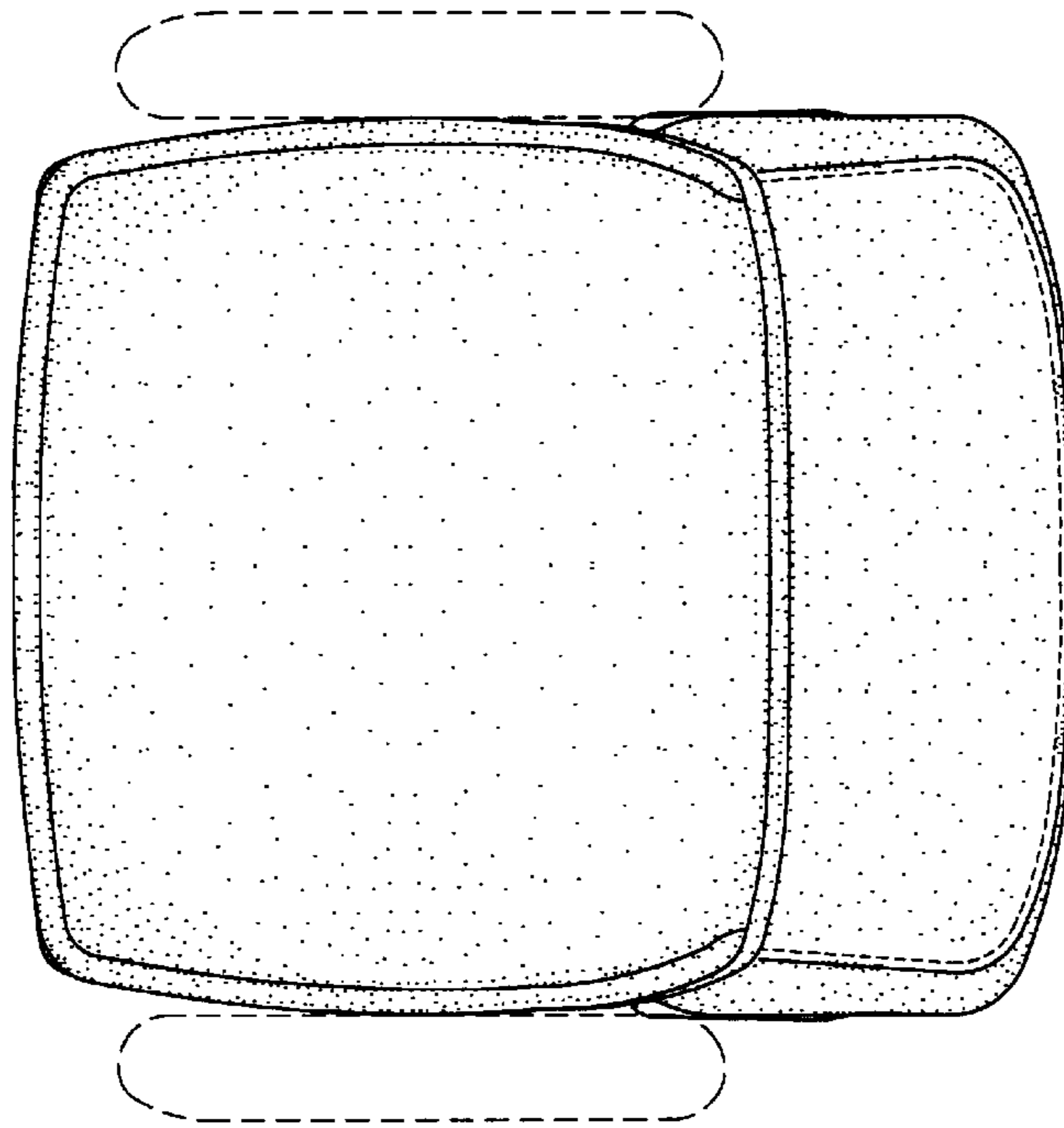
*Fig. 3*



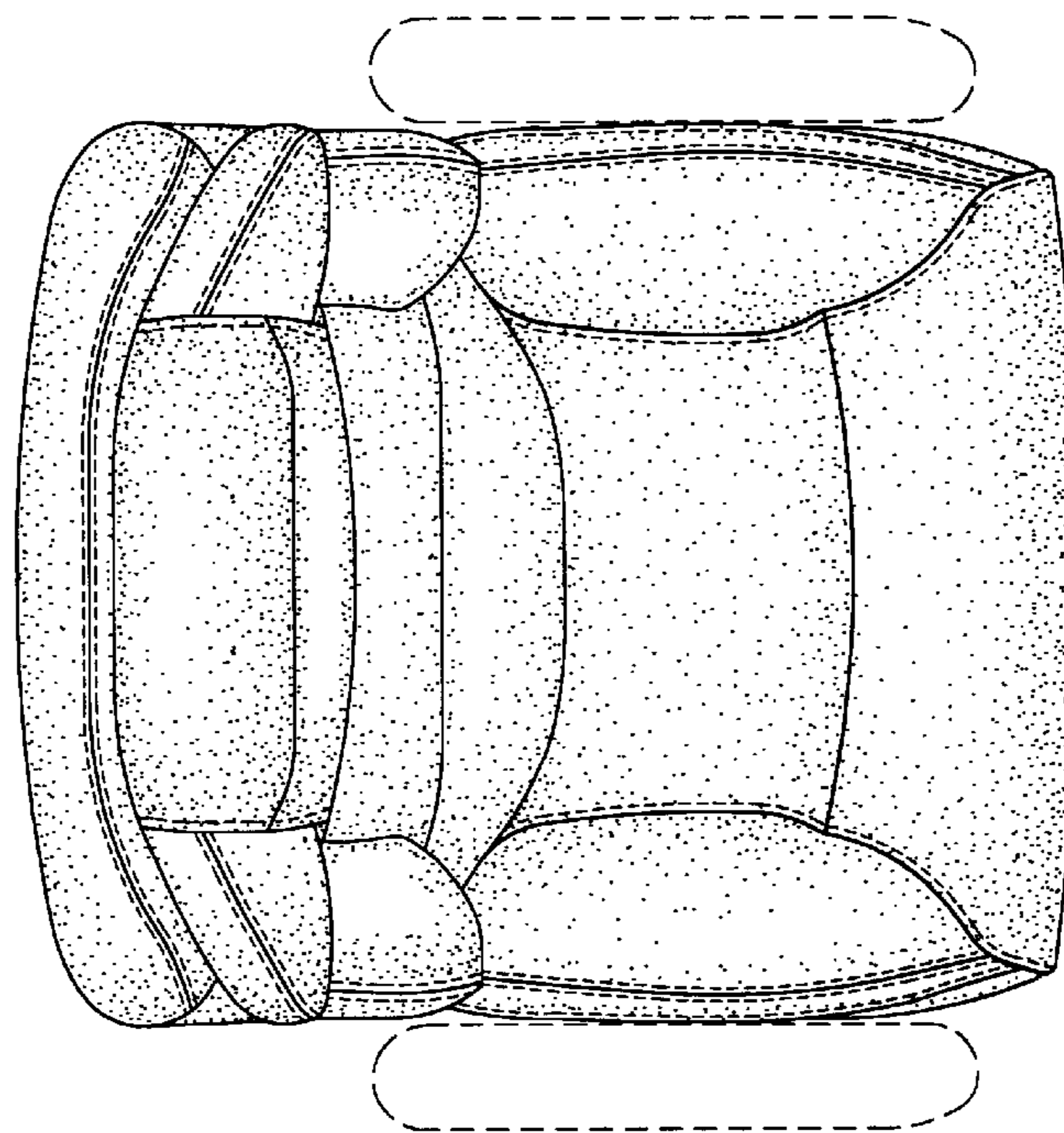
*Fig. 5*



*Fig. 6*



*Fig. 7*



*Fig. 8*